

This document contains information proprietary to Magnum Fitness Systems. It is submitted in confidence and is to be used solely for the purpose for which it is furnished. This document and such information is not to be reproduced, transmitted, or used in whole or part without written authorization.

TOLERANCES: + 0.000"  
- 1/16"

UNLESS OTHERWISE SPECIFIED  
DIMENSIONS ARE IN INCHES.

DRAWN BY:  
RAD

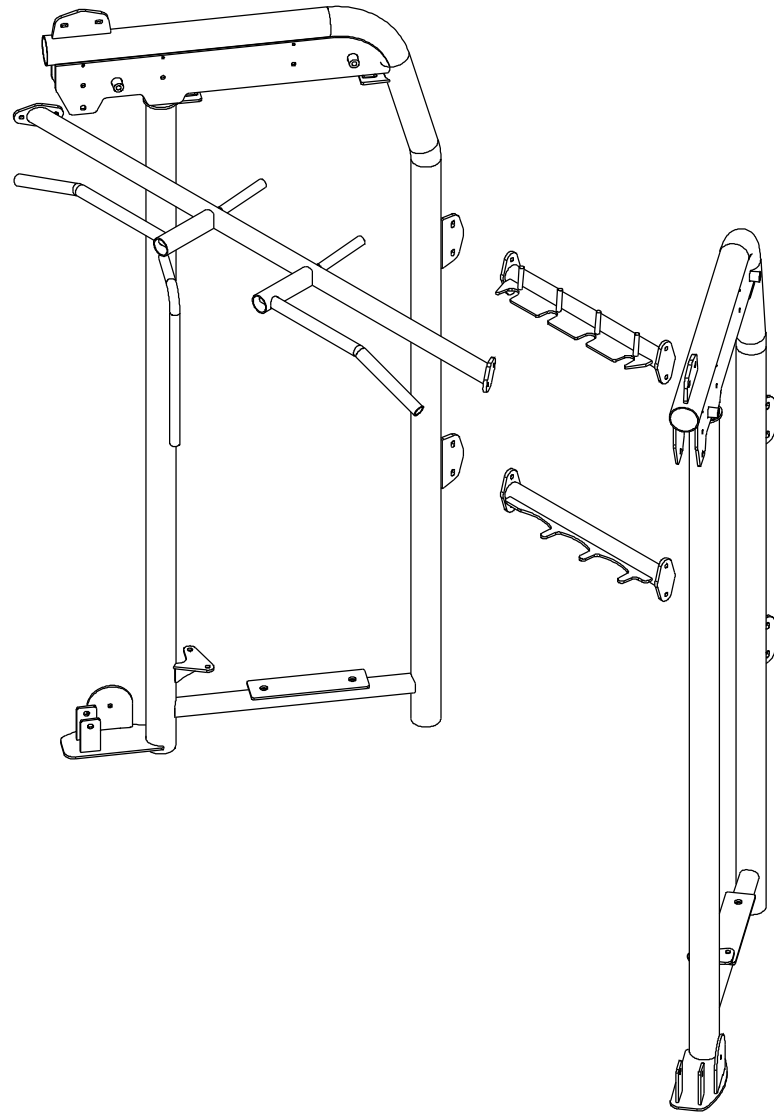
**MAGNUM FITNESS SYSTEMS**  
2201 12th. Avenue  
S. Milwaukee, WI, 53172

TITLE: 2044 ASSEMBLY

DATE: 10/25/04	PART NO. xxx-xxx	JOB NO. XXXXXXXX	REV: 1
-------------------	---------------------	---------------------	-----------

FILE LOCATION: C:\Cad Drawings\Solid Works\

1 OF 1



This document contains information proprietary to Magnum Fitness Systems. It is submitted in confidence and is to be used solely for the purpose for which it is furnished. This document and such information is not to be reproduced, transmitted, or used in whole or part without written authorization.

TOLERANCES: + 0.000"  
- 1/16"

UNLESS OTHERWISE SPECIFIED  
DIMENSIONS ARE IN INCHES.

DRAWN BY:  
RAD

**MAGNUM FITNESS SYSTEMS**

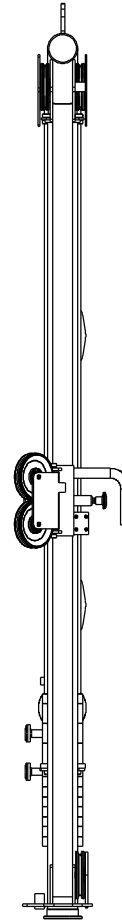
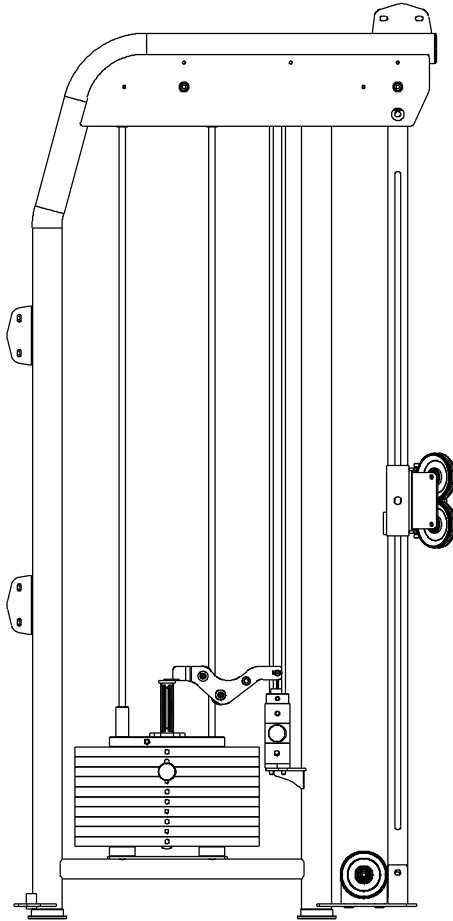
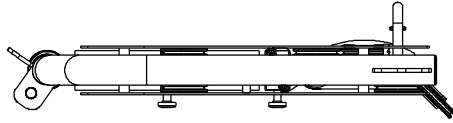
2201 12th. Avenue  
S. Milwaukee, WI, 53172

TITLE: 2044 ASSEMBLY

DATE: 10/25/04	PART NO. xxx-xxx	JOB NO. XXXXXXXX	REV: 1
-------------------	---------------------	---------------------	-----------

FILE LOCATION: C:\Cad Drawings\Solid Works\

1 OF 1



This document contains information proprietary to Magnum Fitness Systems. It is submitted in confidence and is to be used solely for the purpose for which it is furnished. This document and such information is not to be reproduced, transmitted, or used in whole or part without written authorization.

TOLERANCES: + 0.000"  
- 1/16"

UNLESS OTHERWISE SPECIFIED  
DIMENSIONS ARE IN INCHES.

DRAWN BY:  
R. Degenhardt

**MAGNUM FITNESS SYSTEMS**

2201 12th. Avenue  
S. Milwaukee, WI, 53172

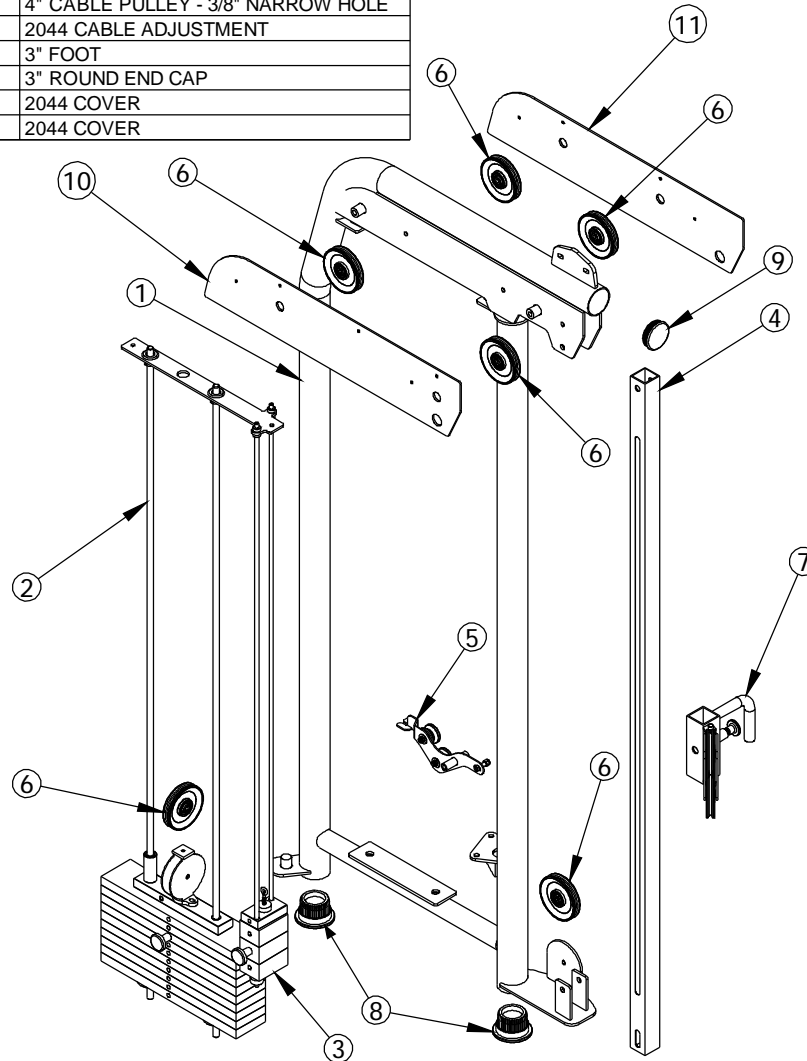
TITLE: 2044 MAIN FRAME HALF

DATE: 01/07/05	PART NO. 101-358	JOB NO. XXXXXXXX	REV: 1
-------------------	---------------------	---------------------	-----------

FILE LOCATION: C:\Cad Drawings\Solid Works\

1 OF 1

ITEM NO.	QTY.	PART NO.	DESCRIPTION
1	1	101-223	2044 MAIN FRAME HALF
2	1	101-349	WEIGHT STACK ASSEMBLY
3	1	101-350	MINI WEIGHT STACK ASSEMBLY
4	1	339-731	2" x 2" TUBE - 79 1/2" (CHROMED)
5	1	101-282	3000 SERIES BANANA (R)
6	6	853-303	4" CABLE PULLEY - 3/8" NARROW HOLE
7	1	101-355	2044 CABLE ADJUSTMENT
8	2	850-056	3" FOOT
9	1	850-045	3" ROUND END CAP
10	1	700-501	2044 COVER
11	1	700-503	2044 COVER



This document contains information proprietary to Magnum Fitness Systems. It is submitted in confidence and is to be used solely for the purpose for which it is furnished. This document and such information is not to be reproduced, transmitted, or used in whole or part without written authorization.

TOLERANCES: + 0.000"  
- 1/16"

UNLESS OTHERWISE SPECIFIED  
DIMENSIONS ARE IN INCHES.

DRAWN BY:  
R. Degenhardt

**MAGNUM FITNESS SYSTEMS**

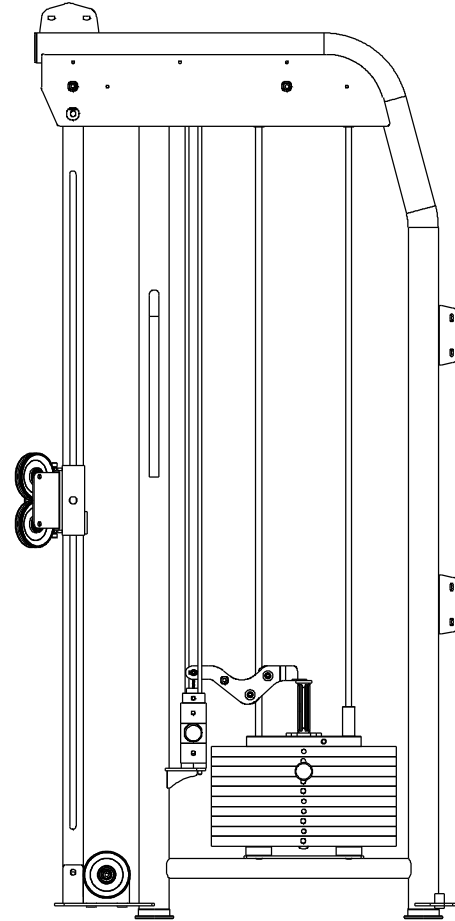
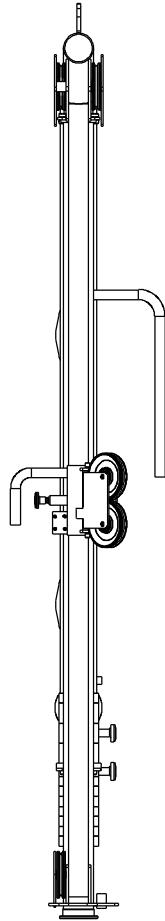
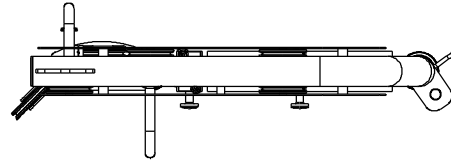
2201 12th. Avenue  
S. Milwaukee, WI, 53172

TITLE: 2044 MAIN FRAME HALF

DATE: 01/07/05	PART NO. 101-358	JOB NO. XXXXXXXX	REV: 1
-------------------	---------------------	---------------------	-----------

FILE LOCATION: C:\Cad Drawings\Solid Works\

1 OF 1



This document contains information proprietary to Magnum Fitness Systems. It is submitted in confidence and is to be used solely for the purpose for which it is furnished. This document and such information is not to be reproduced, transmitted, or used in whole or part without written authorization.

TOLERANCES: + 0.000"  
- 1/16"

UNLESS OTHERWISE SPECIFIED  
DIMENSIONS ARE IN INCHES.

DRAWN BY:  
R. Degenhardt

**MAGNUM FITNESS SYSTEMS**

2201 12th. Avenue  
S. Milwaukee, WI, 53172

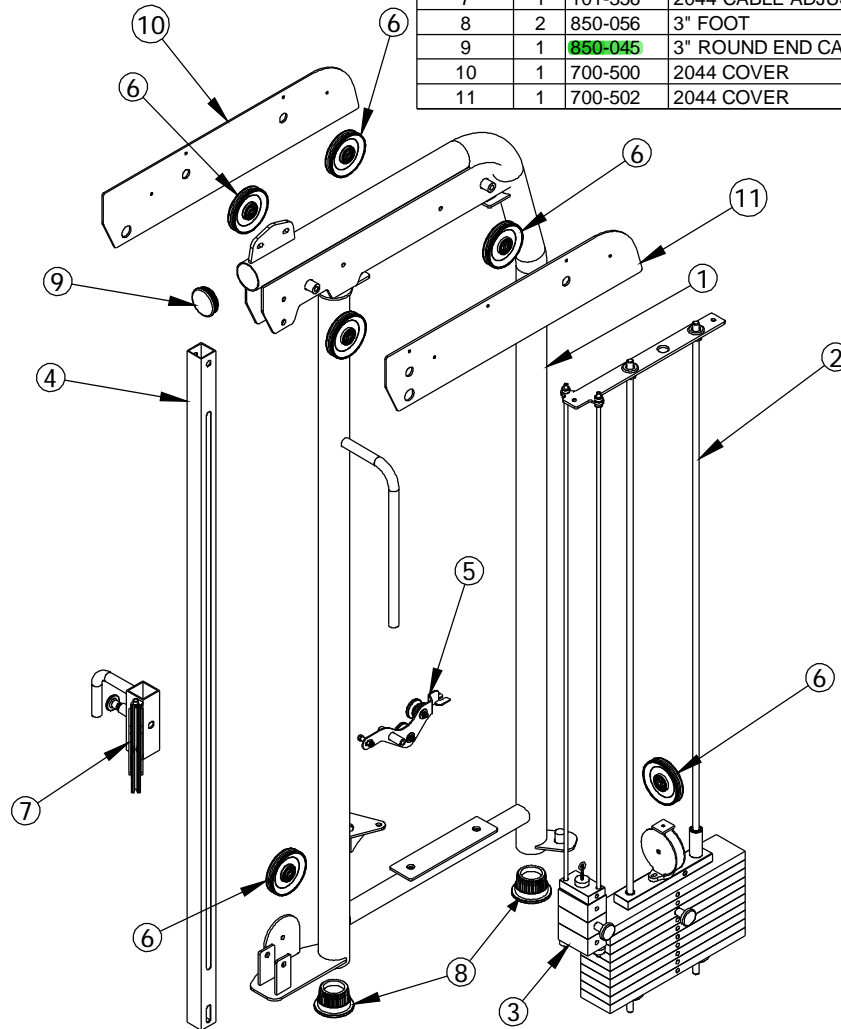
TITLE: 2044 MAIN FRAME HALF

DATE: 01/07/05	PART NO. 101-359	JOB NO. XXXXXXXX	REV: 1
-------------------	---------------------	---------------------	-----------

FILE LOCATION: C:\Cad Drawings\Solid Works\

1 OF 1

ITEM NO.	QTY.	PART NO.	DESCRIPTION
1	1	101-222	2044 MAIN FRAME HALF
2	1	101-348	WEIGHT STACK ASSEMBLY
3	1	101-350	MINI WEIGHT STACK ASSEMBLY
4	1	339-731	2" x 2" TUBE - 79 1/2" (CHROMED)
5	1	101-278	3000 SERIES BANANA (LEFT)
6	6	853-303	4" CABLE PULLEY - 3/8" NARROW HOLE
7	1	101-356	2044 CABLE ADJUSTMENT
8	2	850-056	3" FOOT
9	1	850-045	3" ROUND END CAP
10	1	700-500	2044 COVER
11	1	700-502	2044 COVER



This document contains information proprietary to Magnum Fitness Systems. It is submitted in confidence and is to be used solely for the purpose for which it is furnished. This document and such information is not to be reproduced, transmitted, or used in whole or part without written authorization.

TOLERANCES: + 0.000"  
- 1/16"

UNLESS OTHERWISE SPECIFIED  
DIMENSIONS ARE IN INCHES.

DRAWN BY:  
R. Degenhardt

DATE:  
01/07/05

PART NO.  
101-359

JOB NO.  
XXXXXXXXX

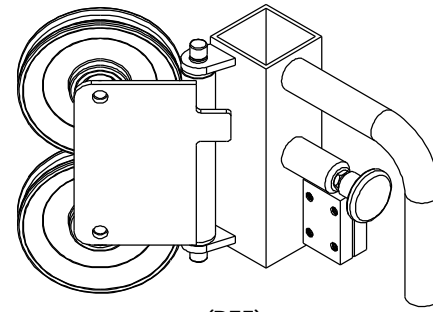
REV:  
1

**MAGNUM FITNESS SYSTEMS**

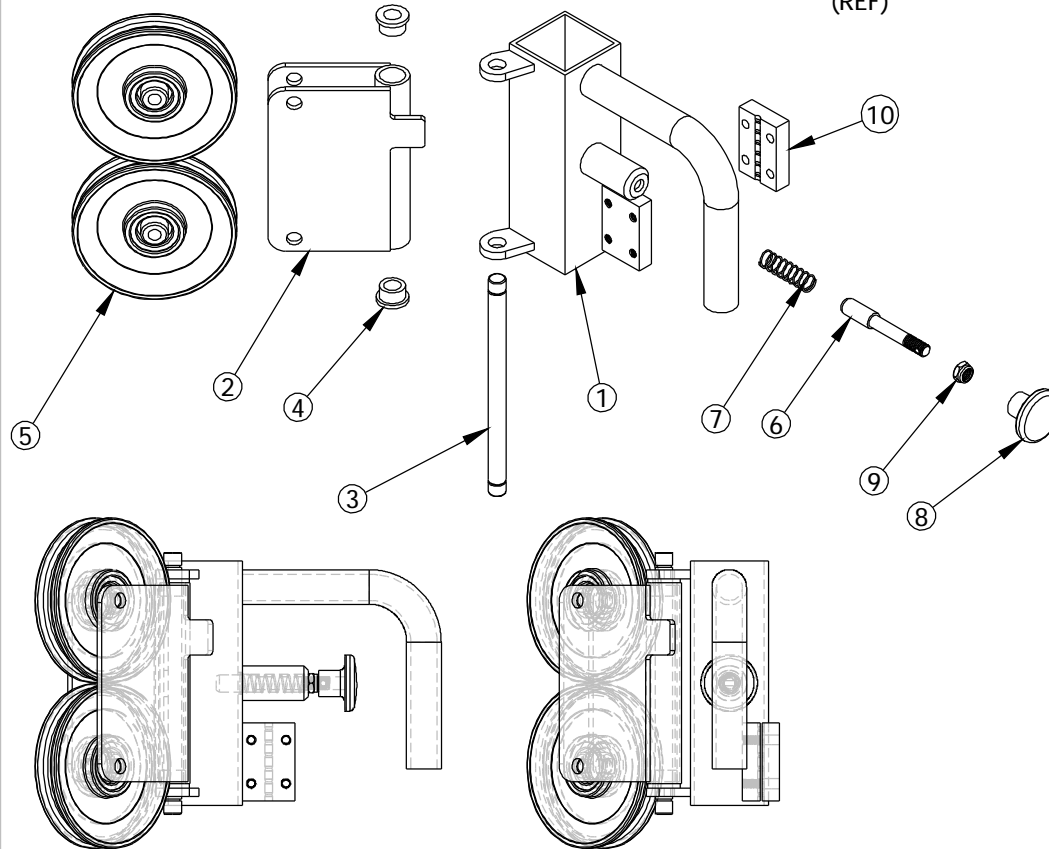
2201 12th. Avenue  
S. Milwaukee, WI, 53172

TITLE: 2044 MAIN FRAME HALF

ITEM NO.	QTY.	PART NO.	DESCRIPTION
1	1	101-240	CABLE ADJUSTMENT
2	1	101-354	PULLEY HOUSING
3	1	200-412	1/2" CRR - 7 1/2"
4	2	851-514	1/2" BRASS BUSHING
5	2	853-303	4" CABLE PULLEY - 3/8" NARROW HOLE
6	1	855-302	SPRING PIN w/ 5/32"
7	1	852-807	SPRING
8	1	852-207	GOLD PULL KNOB
9	1	817-306	3/8"-16 JAM NUT
10	1	339-714	1/2" x 1 1/2" F.S. - 2 1/4"



(REF)



This document contains information proprietary to Magnum Fitness Systems. It is submitted in confidence and is to be used solely for the purpose for which it is furnished. This document and such information is not to be reproduced, transmitted, or used in whole or part without written authorization.

TOLERANCES: + 0.000"  
- 1/16"

UNLESS OTHERWISE SPECIFIED  
DIMENSIONS ARE IN INCHES.

DRAWN BY:  
R. Degenhardt

**MAGNUM FITNESS SYSTEMS**

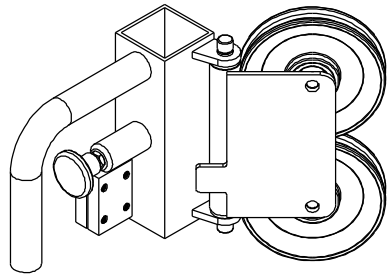
2201 12th. Avenue  
S. Milwaukee, WI, 53172

TITLE: PULLEY ADJUSTMENT

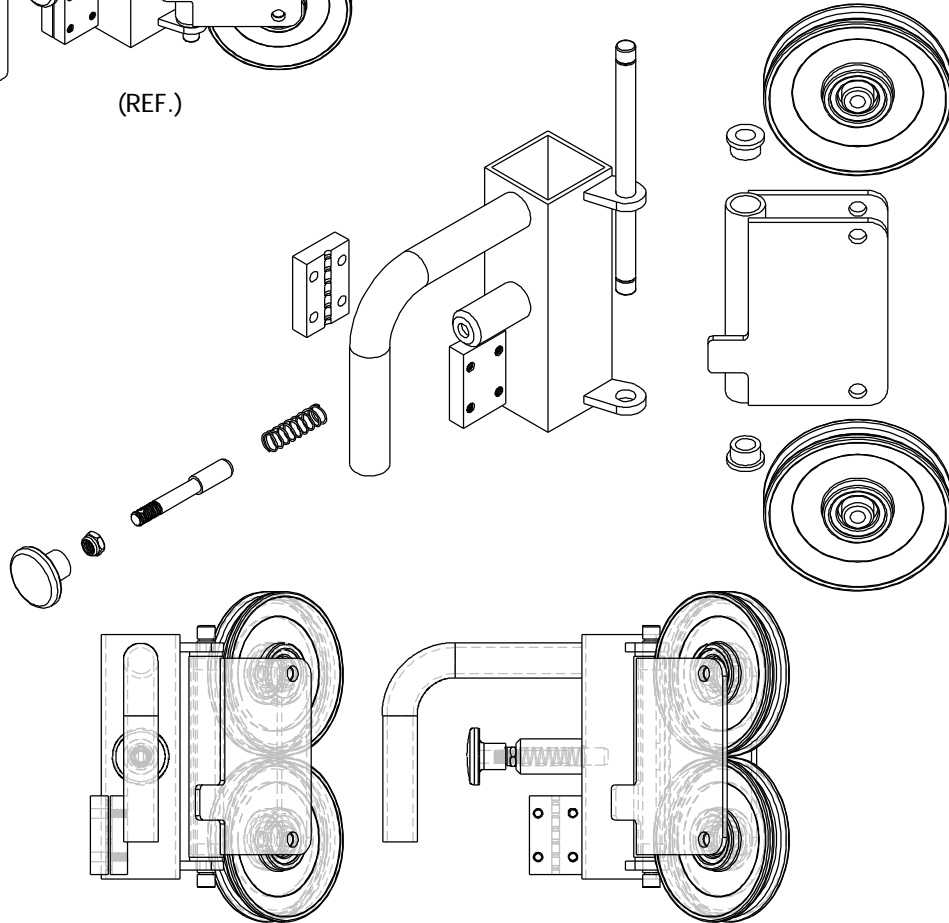
DATE: 01/05/05	PART NO. 101-355	JOB NO. XXXXXXXX	REV: 1
-------------------	---------------------	---------------------	-----------

FILE LOCATION: C:\Cad Drawings\Solid Works\

1 OF 1



(REF.)



ITEM NO.	QTY.	PART NO.	DESCRIPTION
1	1	101-241	CABLE ADJUSTMENT
2	1	101-354	PULLEY HOUSING
3	1	200-412	1/2" CRR - 7 1/2"
4	2	851-514	1/2" BRASS BUSHING
5	2	853-303	4" CABLE PULLEY - 3/8" NARROW HOLE
6	1	339-714	1/2" x 1 1/2" F.S. - 2 1/4"
7	1	855-302	SPRING PIN w/ 5/32"
8	1	852-807	SPRING
9	1	817-306	3/8"-16 JAM NUT
10	1	852-207	GOLD PULL KNOB

This document contains information proprietary to Magnum Fitness Systems. It is submitted in confidence and is to be used solely for the purpose for which it is furnished. This document and such information is not to be reproduced, transmitted, or used in whole or part without written authorization.

TOLERANCES: + 0.000"  
- 1/16"

UNLESS OTHERWISE SPECIFIED  
DIMENSIONS ARE IN INCHES.

DRAWN BY:  
R. Degenhardt

**MAGNUM FITNESS SYSTEMS**

2201 12th. Avenue  
S. Milwaukee, WI, 53172

TITLE: PULLEY ADJUSTMENT

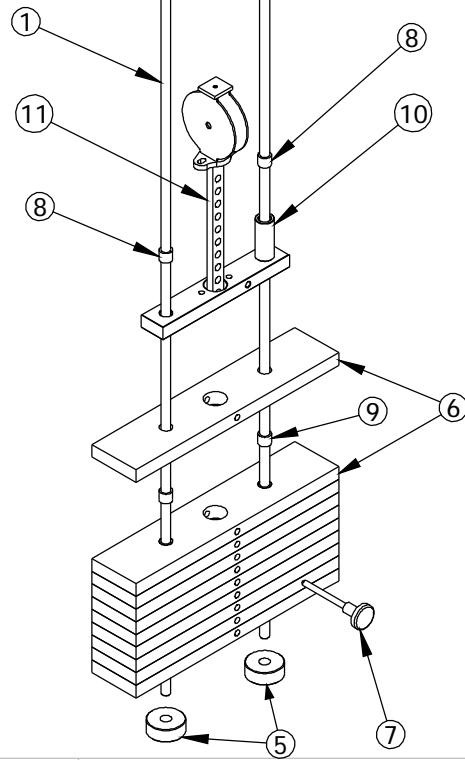
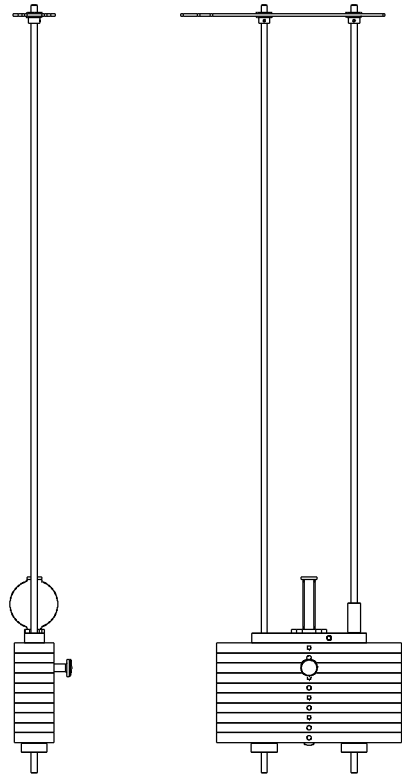
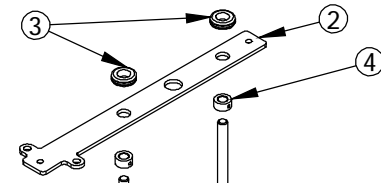
DATE: 01/06/05	PART NO. 101-356	JOB NO. XXXXXXXX	REV: 1
-------------------	---------------------	---------------------	-----------

FILE LOCATION: C:\Cad Drawings\Solid Works\

1 OF 1



ITEM NO.	QTY.	PART NO.	DESCRIPTION
1	2	200-443	5/8" GUIDE ROD - 77"
2	1	500-963	1/4" PLASMA
3	2	858-005	5/8" RUBBER GROMMET
4	2	852-610	5/8" SET COLLAR
5	2	838-211	ROUND WEIGHT STACK BUMPER
6	10	300-410	1" x 4" F.S. - 18 1/2"
7	1	852-007	SELECTOR PIN w/ 6 1/2" CORD
8	2	849-001	7/8"OD x 5/8"ID x 3/4" BUSHING
9	20	849-002	7/8"OD x .640"ID x 3/4" BUSHING
10	1	101-129	TOP WEIGHT PLATE
11	1	101-352	CENTER STICK - 10



This document contains information proprietary to Magnum Fitness Systems. It is submitted in confidence and is to be used solely for the purpose for which it is furnished. This document and such information is not to be reproduced, transmitted, or used in whole or part without written authorization.

TOLERANCES: + 0.000"  
- 1/16"

UNLESS OTHERWISE SPECIFIED  
DIMENSIONS ARE IN INCHES.

**MAGNUM FITNESS SYSTEMS**  
2201 12th. Avenue  
S. Milwaukee, WI, 53172

TITLE: "E" SERIES WEIGHT STACK  
2044 - 10 PLATE

DRAWN BY:  
R. Degenhardt

DATE:  
01/06/05

PART NO.  
101-348

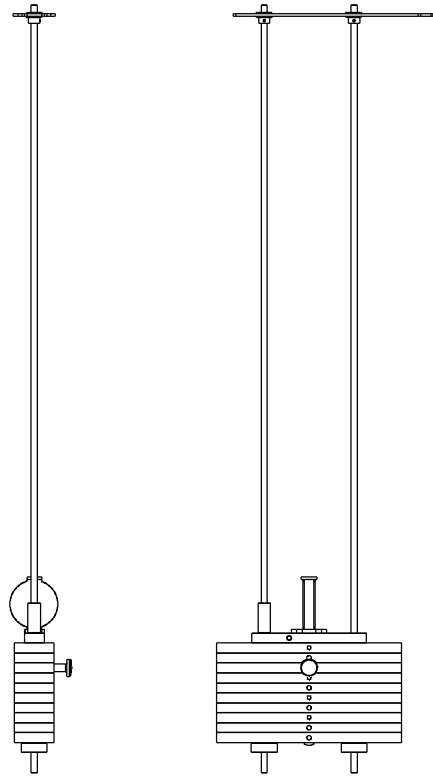
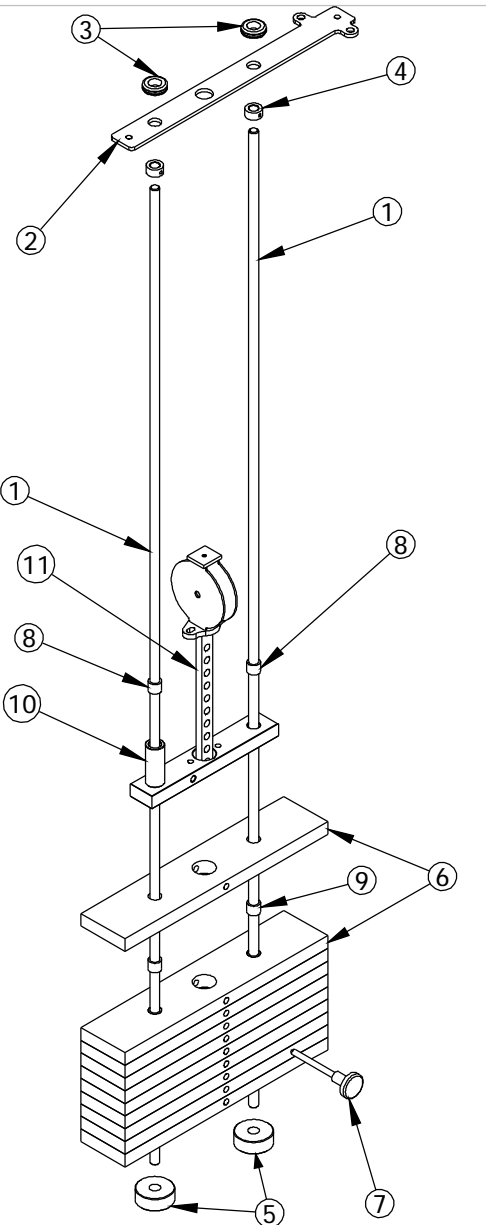
JOB NO.  
XXXXXXXX

REV:  
1

FILE LOCATION: C:\Cad Drawings\Solid Works\

1 OF 1

ITEM NO.	QTY.	PART NO.	DESCRIPTION
1	2	200-443	5/8" GUIDE ROD - 77"
2	1	500-963	1/4" PLASMA
3	2	858-005	5/8" RUBBER GROMMET
4	2	852-610	5/8" SET COLLAR
5	2	838-211	ROUND WEIGHT STACK BUMPER
6	10	300-410	1" x 4" F.S. - 18 1/2"
7	1	852-007	SELECTOR PIN w/ 6 1/2" CORD
8	2	849-001	7/8"OD x 5/8"ID x 3/4" BUSHING
9	20	849-002	7/8"OD x .640"ID x 3/4" BUSHING
10	1	101-129	TOP WEIGHT PLATE
11	1	101-352	CENTER STICK - 10



This document contains information proprietary to Magnum Fitness Systems. It is submitted in confidence and is to be used solely for the purpose for which it is furnished. This document and such information is not to be reproduced, transmitted, or used in whole or part without written authorization.

**TOLERANCES:** + 0.000"  
- 1/16"

UNLESS OTHERWISE SPECIFIED  
DIMENSIONS ARE IN INCHES.

**MAGNUM FITNESS SYSTEMS**  
2201 12th. Avenue  
S. Milwaukee, WI, 53172

**TITLE: "E" SERIES WEIGHT STACK  
2044 - 10 PLATE**

DRAWN BY:  
**R. Degenhardt**

DATE:  
01/06/05

PART NO.  
101-349

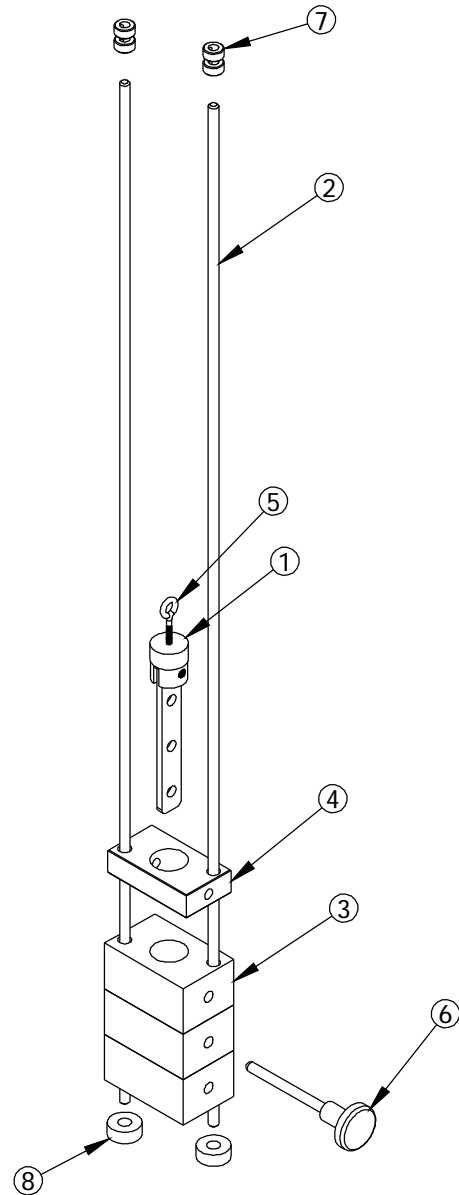
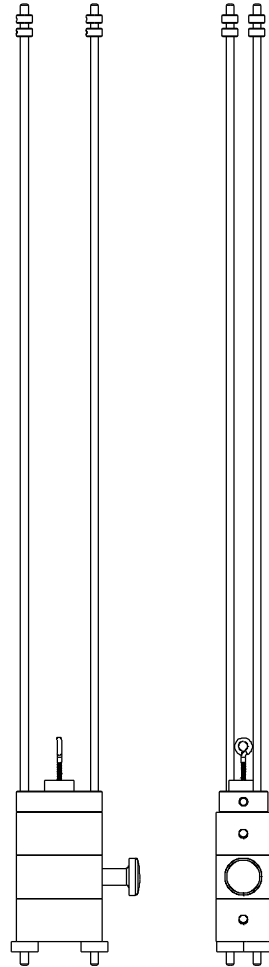
JOB NO.  
XXXXXXXX

REV:  
1

FILE LOCATION: C:\Cad Drawings\Solid Works\

1 OF 1

ITEM NO.	QTY.	PART NO.	DESCRIPTION
1	1	101-053	MINI WEIGHT STACK CENTER STICK
2	2	200-442	3/8" GUIDE ROD - 37 7/8"
3	3	300-413	2" x 4" F.S. - 2 9/16"
4	1	807-001	1" x 2 1/4" F.S. - 4"
5	1	818-899	3/8" EYE BOLT - 2 1/2"
6	1	852-008	SELECTOR PIN w/ 4" CORD
7	4	852-607	3/8" SHAFT COLLAR
8	2	858-251	1/2" RUBBER BUMPER



This document contains information proprietary to Magnum Fitness Systems. It is submitted in confidence and is to be used solely for the purpose for which it is furnished. This document and such information is not to be reproduced, transmitted, or used in whole or part without written authorization.

TOLERANCES: + 0.000"  
- 1/16"

UNLESS OTHERWISE SPECIFIED  
DIMENSIONS ARE IN INCHES.

DRAWN BY:  
R. Degenhardt

**MAGNUM FITNESS SYSTEMS**  
2201 12th. Avenue  
S. Milwaukee, WI, 53172

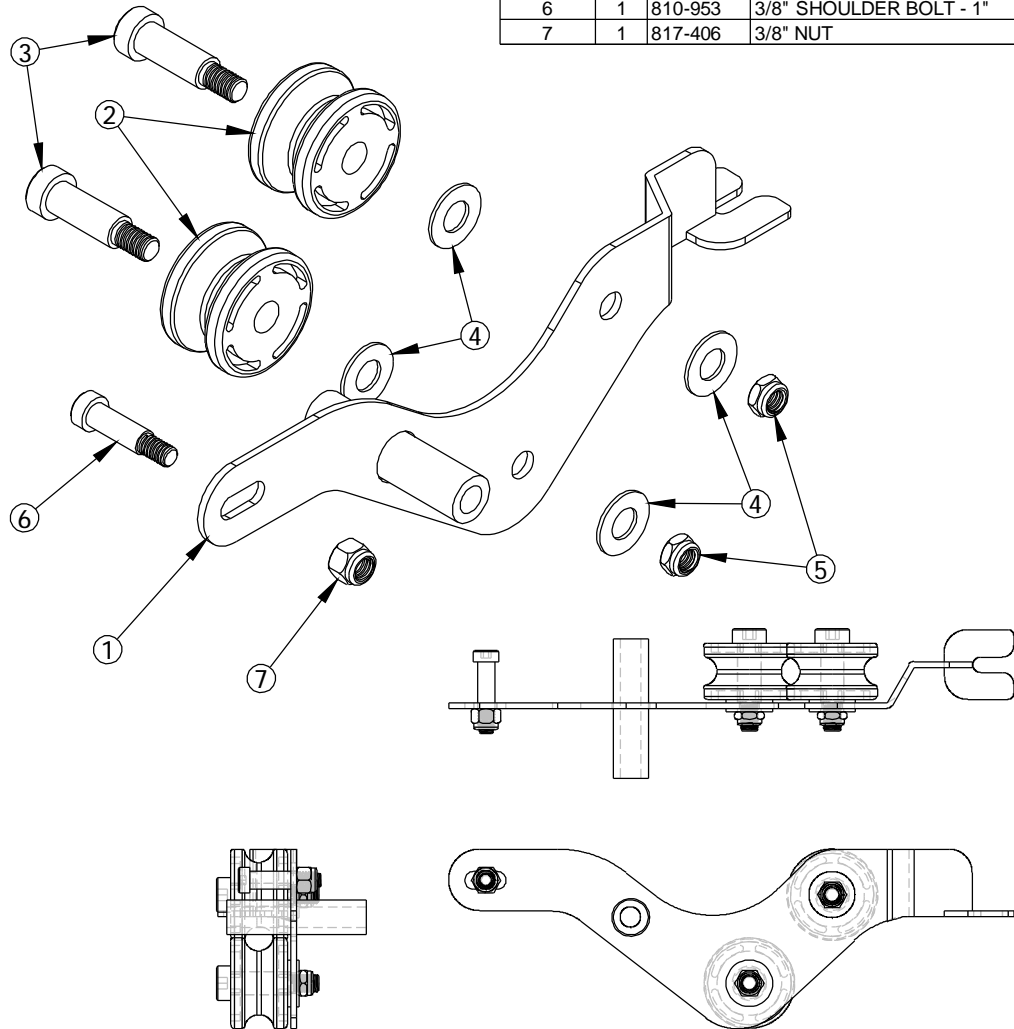
TITLE: MINI WEIGHT STACK  
2042

DATE: 12/30/04	PART NO. 101-346	JOB NO. XXXXXXXX	REV: 1
-------------------	---------------------	---------------------	-----------

FILE LOCATION: C:\Cad Drawings\Solid Works\

1 OF 1

ITEM NO.	QTY.	PART NO.	DESCRIPTION
1	1	101-276	BANANA SUB-ASSEMBLY
2	2	853-314	ROLLER w/ BEARING
3	2	810-954	1/2" x 1 1/4" SHOULDER BOLT
4	4	818-008	1/2" FLAT WASHER
5	2	817-306	3/8"-16 JAM NUT
6	1	810-953	3/8" SHOULDER BOLT - 1"
7	1	817-406	3/8" NUT



This document contains information proprietary to Magnum Fitness Systems. It is submitted in confidence and is to be used solely for the purpose for which it is furnished. This document and such information is not to be reproduced, transmitted, or used in whole or part without written authorization.

TOLERANCES: + 0.000"  
- 1/16"

UNLESS OTHERWISE SPECIFIED  
DIMENSIONS ARE IN INCHES.

DRAWN BY:  
RAD

**MAGNUM FITNESS SYSTEMS**  
2201 12th. Avenue  
S. Milwaukee, WI, 53172

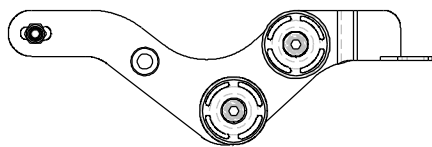
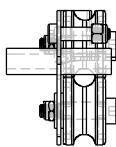
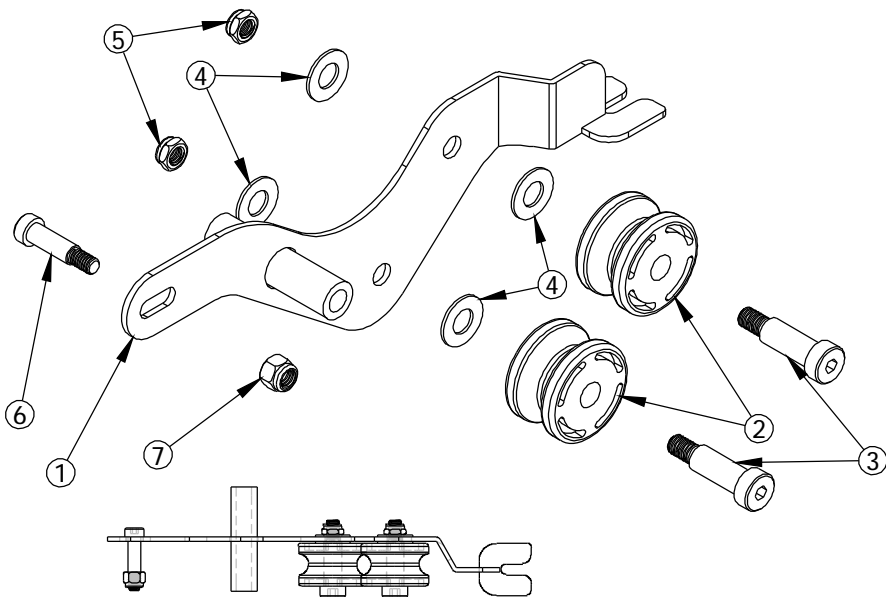
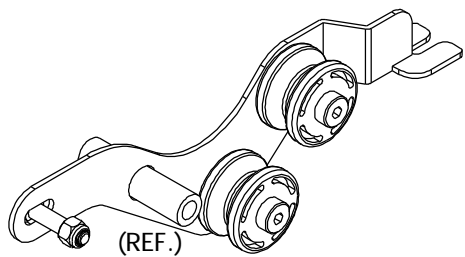
TITLE: 3000 SERIES BANANA (LEFT)

DATE: 11/05/04	PART NO. 101-278	JOB NO. XXXXXXXX	REV: 1
-------------------	---------------------	---------------------	-----------

FILE LOCATION: C:\Cad Drawings\Solid Works\

1 OF 1

ITEM NO.	QTY.	PART NO.	DESCRIPTION
1	1	101-281	BANANA SUB-ASSEMBLY
2	2	853-314	ROLLER w/ BEARING
3	2	810-954	1/2" x 1 1/4" SHOULDER BOLT
4	4	818-008	1/2" FLAT WASHER
5	2	817-306	3/8"-16 JAM NUT
6	1	810-953	3/8" SHOULDER BOLT - 1"
7	1	817-406	3/8" NUT



This document contains information proprietary to Magnum Fitness Systems. It is submitted in confidence and is to be used solely for the purpose for which it is furnished. This document and such information is not to be reproduced, transmitted, or used in whole or part without written authorization.

TOLERANCES: + 0.000"  
- 1/16"

UNLESS OTHERWISE SPECIFIED  
DIMENSIONS ARE IN INCHES.

DRAWN BY:  
RAD

**MAGNUM FITNESS SYSTEMS**  
2201 12th. Avenue  
S. Milwaukee, WI, 53172

TITLE: 3000 SERIES BANANA (RIGHT)

DATE: 11/08/04	PART NO. 101-282	JOB NO. XXXXXXXX	REV: 1
-------------------	---------------------	---------------------	-----------

FILE LOCATION: C:\Cad Drawings\Solid Works\

1 OF 1