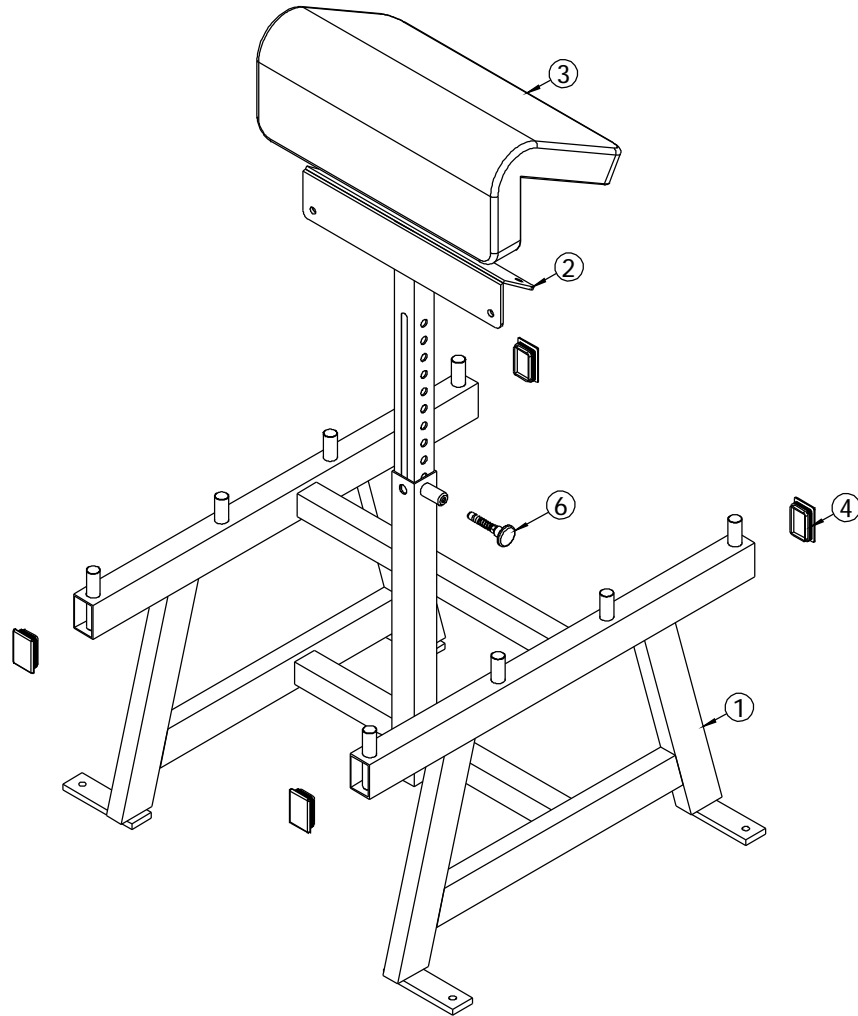


ITEM NO.	QTY.	PART NO.	DESCRIPTION
1	1	100-656	MAIN FRAME
2	1	100-657	ADJUSTABLE TUBE
3	1	900-250	ARM PAD
4	4	850-006	2" X 3" END CAP
6	1	101-140	SPRING PIN ASSEMBLY



This document contains information proprietary to Magnum Fitness Systems. It is submitted in confidence and is to be used solely for the purpose for which it is furnished. This document and such information is not to be reproduced, transmitted, or used in whole or part without written authorization.

TOLERANCES: + 0.000"  
- 1/16"

UNLESS OTHERWISE SPECIFIED  
DIMENSIONS ARE IN INCHES.

DRAWN BY:  
J. Wenzel

**MAGNUM FITNESS SYSTEMS**  
2201 12th. Avenue  
S. Milwaukee, WI, 53172

TITLE: M71 v 1.0  
STANDING DUAL SIDED CURL

DATE:  
07/02/04

PART NO.  
XXX-XXX

JOB NO.  
XXXXXXXX

REV:  
1

FILE LOCATION: C:\Cad Drawings\Solid Works\

1 OF 1