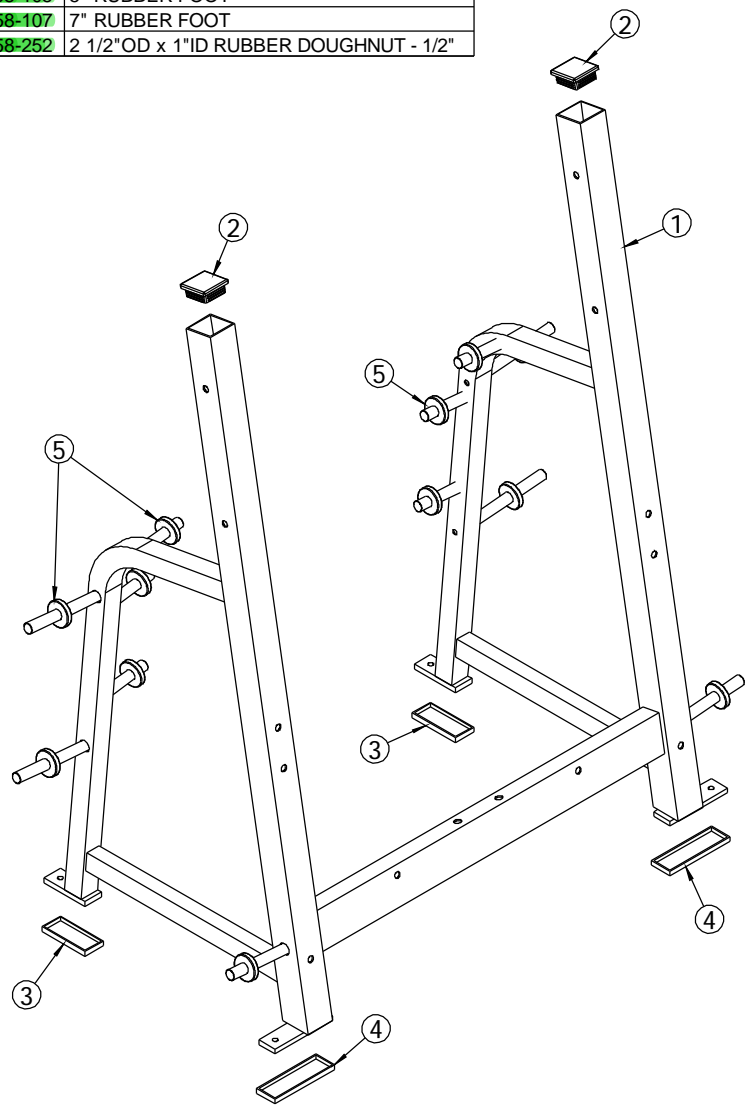


<p>This document contains information proprietary to Magnum Fitness Systems. It is submitted in confidence and is to be used solely for the purpose for which it is furnished. This document and such information is not to be reproduced, transmitted, or used in whole or part without written authorization.</p>	<p>TOLERANCES: + 0.000" - 1/16"</p>		<p>MAGNUM FITNESS SYSTEMS 2201 12th. Avenue S. Milwaukee, WI, 53172</p>		
	<p>UNLESS OTHERWISE SPECIFIED DIMENSIONS ARE IN INCHES.</p>		<p>TITLE: M45 SHOULDER PRESS BENCH</p>		
<p>DRAWN BY: J. WENZEL</p>	<p>DATE: 02/25/05</p>	<p>PART NO. M45</p>	<p>JOB NO. XXXXXXXX</p>	<p>REV: 1</p>	
<p>FILE LOCATION: C:\Cad Drawings\Solid Works\</p>			<p>1 OF 1</p>		

ITEM NO.	QTY.	PART NO.	DESCRIPTION
1	1	100-078	MAIN FRAME
2	2	850-036	3" x 3" END CAP
3	2	858-105	5" RUBBER FOOT
4	2	858-107	7" RUBBER FOOT
5	12	858-252	2 1/2"OD x 1"ID RUBBER DOUGHNUT - 1/2"



This document contains information proprietary to Magnum Fitness Systems. It is submitted in confidence and is to be used solely for the purpose for which it is furnished. This document and such information is not to be reproduced, transmitted, or used in whole or part without written authorization.

TOLERANCES: + 0.000"
- 1/16"

UNLESS OTHERWISE SPECIFIED
DIMENSIONS ARE IN INCHES.

DRAWN BY:
J. WENZEL

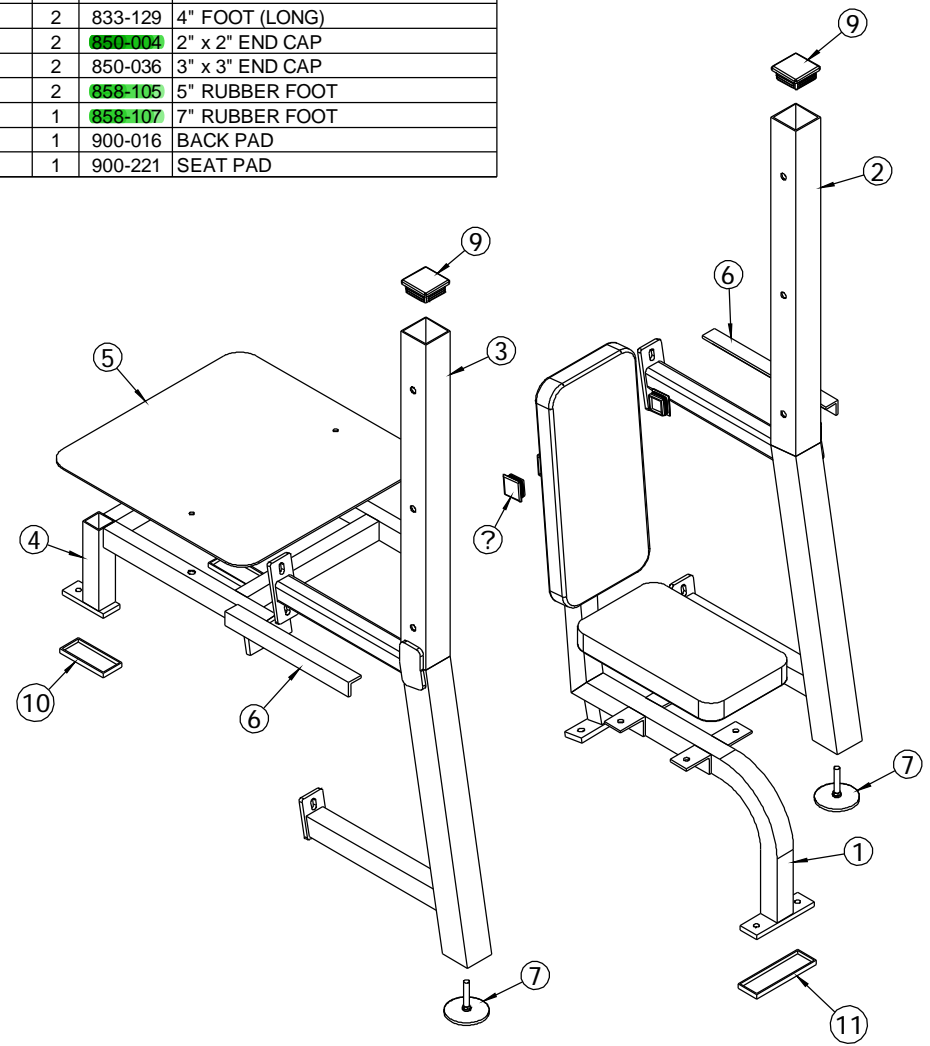
MAGNUM FITNESS SYSTEMS
2201 12th. Avenue
S. Milwaukee, WI, 53172

TITLE: M45 SHOULDER PRESS BENCH
MAIN FRAME BREAK DOWN

DATE: 02/25/05	PART NO. M45-001	JOB NO. XXXXXXXX	REV: 1
-------------------	---------------------	---------------------	-----------

FILE LOCATION: C:\Cad Drawings\Solid Works\ 1 OF 1

ITEM NO.	QTY.	PART NO.	DESCRIPTION
1	1	100-072	SEAT FRAME
2	1	100-073	LEFT SAFTY SIDE
3	1	100-079	RIGHT SAFTY SIDE
4	1	100-167	SPOTER STAND FRAME
5	1	500-222	DIAMOND PLATE
6	2	700-150	1 1/2" x 1 1/2" ANGLE PLASTIC - 15"
7	2	833-129	4" FOOT (LONG)
8	2	850-004	2" x 2" END CAP
9	2	850-036	3" x 3" END CAP
10	2	858-105	5" RUBBER FOOT
11	1	858-107	7" RUBBER FOOT
12	1	900-016	BACK PAD
13	1	900-221	SEAT PAD



<p>This document contains information proprietary to Magnum Fitness Systems. It is submitted in confidence and is to be used solely for the purpose for which it is furnished. This document and such information is not to be reproduced, transmitted, or used in whole or part without written authorization.</p>	<p>TOLERANCES: + 0.000" - 1/16"</p>	<p>MAGNUM FITNESS SYSTEMS 2201 12th. Avenue S. Milwaukee, WI, 53172</p>		
	<p>UNLESS OTHERWISE SPECIFIED DIMENSIONS ARE IN INCHES.</p>	<p>TITLE: M45 SHOULDER PRESS BENCH COMPONENTS BREAK DOWN</p>		
<p>DRAWN BY: J. WENZEL</p>	<p>DATE: 02/25/05</p>	<p>PART NO. M45-002</p>	<p>JOB NO. XXXXXXXX</p>	<p>REV: 1</p>
<p>FILE LOCATION: C:\Cad Drawings\Solid Works\</p>				<p>1 OF 1</p>