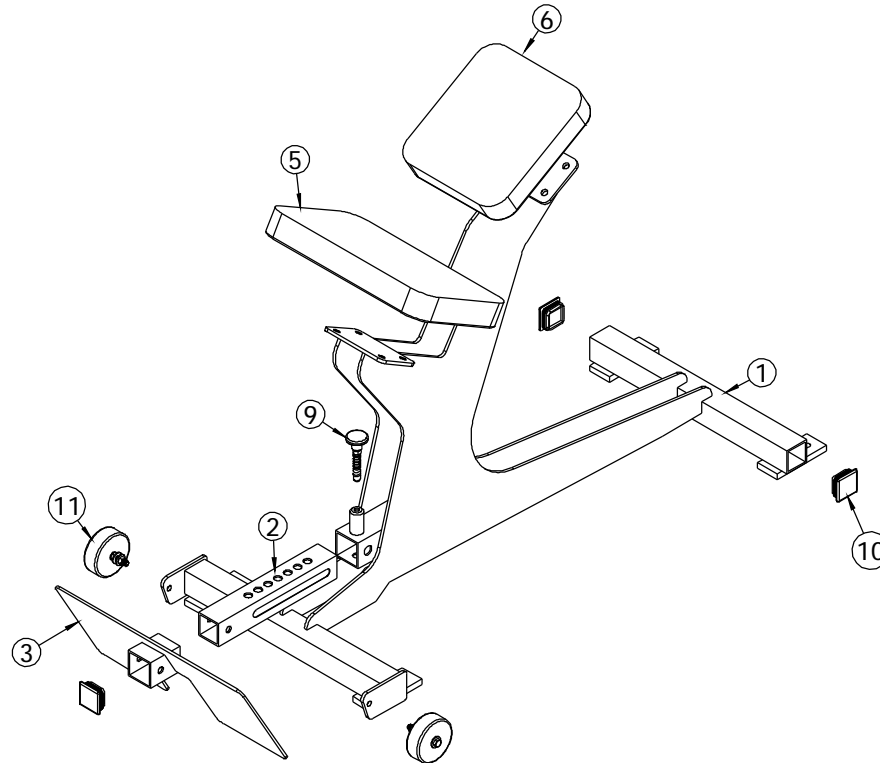


ITEM NO.	QTY.	PART NO.	DESCRIPTION
1	1	100-548	MAIN FRAME
2	1	339-912	FOOT SLIDE
3	1	100-545	FOOT PLATE ASSEMBLY
5	1	900-222	SEAT PAD
6	1	900-272	BACK PAD
9	1	101-140	SPRING PIN ASSEMBLY
10	3	850-004	2" x 2" END CAP
11	2	101-139	3 1/2" WHEEL ASSEMBLY



This document contains information proprietary to Magnum Fitness Systems. It is submitted in confidence and is to be used solely for the purpose for which it is furnished. This document and such information is not to be reproduced, transmitted, or used in whole or part without written authorization.

TOLERANCES: + 0.000"  
- 1/16"

UNLESS OTHERWISE SPECIFIED  
DIMENSIONS ARE IN INCHES.

DRAWN BY:  
J. Wenzel

**MAGNUM FITNESS SYSTEMS**  
2201 12th. Avenue  
S. Milwaukee, WI, 53172

TITLE: M43 v 1.0 Posture Bench

DATE: 07/02/04	PART NO. XXX-XXX	JOB NO. XXXXXXXX	REV: 1
-------------------	---------------------	---------------------	-----------

FILE LOCATION: C:\Cad Drawings\Solid Works\

1 OF 1