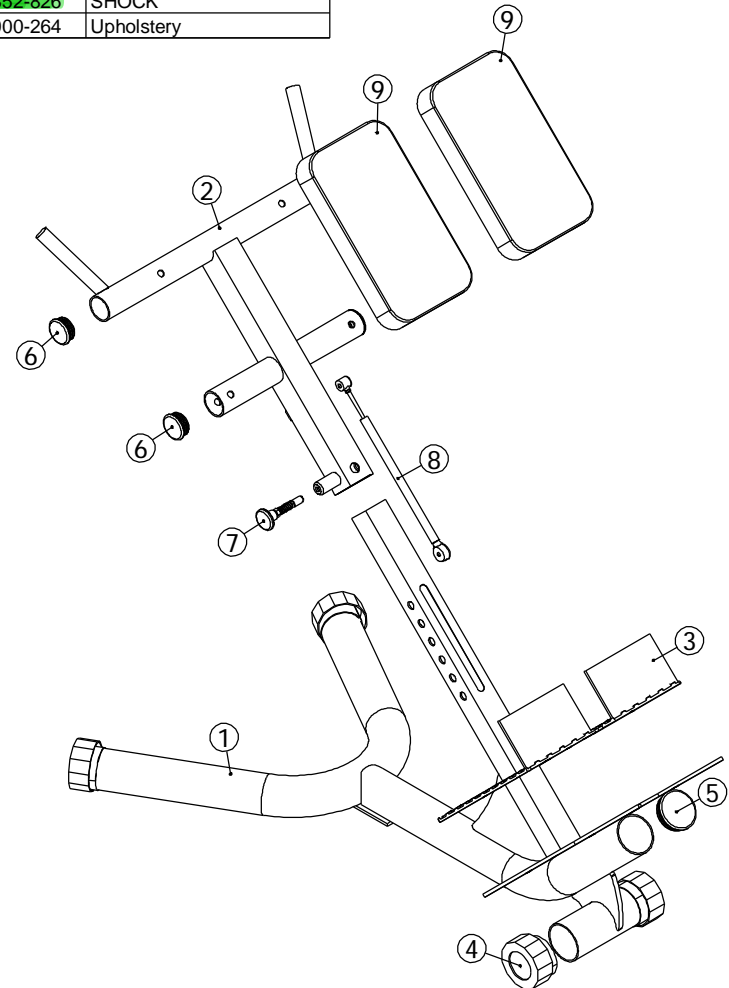


TEM NO.	QTY.	PART NO.	DESCRIPTION
1	1	101-792	Main Frame
2	1	101-620	Slide
3	1	101-793	Foot Rest
4	4	850-061	3" Hex Foot
5	1	850-045	3" ROUND END CAP
6	4	850-044	2" ROUND END CAP
7	1	101-140	SPRING PIN ASSEMBLY
8	1	852-826	SHOCK
9	2	900-264	Upholstery



<p>This document contains information proprietary to Magnum Fitness Systems. It is submitted in confidence and is to be used solely for the purpose for which it is furnished. This document and such information is not to be reproduced, transmitted, or used in whole or part without written authorization.</p>	<p>TOLERANCES: + 0.000" - 1/16"</p>	<p>MAGNUM FITNESS SYSTEMS 2201 12th. Avenue S. Milwaukee, WI, 53172</p>		
	<p>UNLESS OTHERWISE SPECIFIED DIMENSIONS ARE IN INCHES.</p>	<p>TITLE: A93 - 45 Degree Back Extension</p>		
<p>DRAWN BY: Josh Ellis</p>	<p>DATE: 06/29/07</p>	<p>PART NO. xxx-xxx</p>	<p>JOB NO. XXXXXXXX</p>	<p>REV: 1</p>
<p>FILE LOCATION: C:\Cad Drawings\Solid Works\</p>				<p>1 OF 1</p>