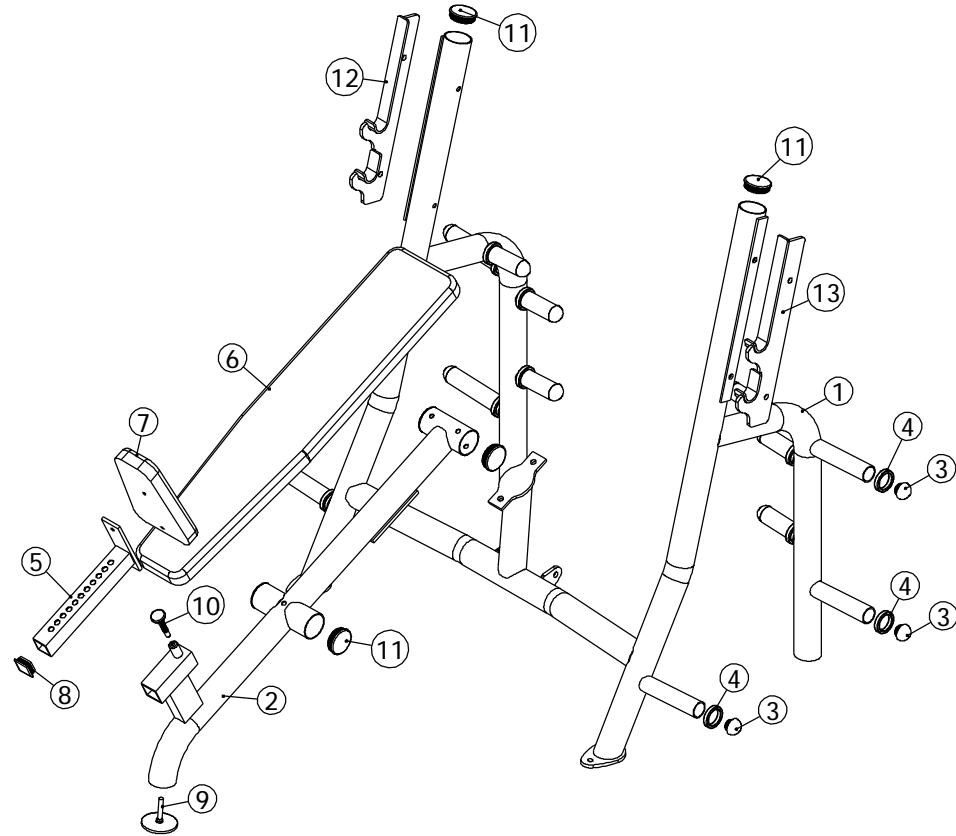


ITEM NO.	QTY.	PART NO.	DESCRIPTION
1	1	101-704	Main Frame
2	1	101-705	Seat Frame
3	12	850-030	Bullet End Cap
4	12	858-253	2 1/2"OD x 1 7/8"ID RUBBER BUMPER - 1/2"
5	1	339-736	CHROME SEAT POST
6	1	900-021	Back Pad
7	1	900-022	Seat Pad
8	1	850-004	2" x 2" END CAP
9	1	833-129	4" FOOT (LONG)
10	1	101-140	SPRING PIN ASSEMBLY
11	6	850-045	3" ROUND END CAP
12	1	339-077	Chromed Take Off (Left)
13	1	339-078	Chromed Take Off (Right)



This document contains information proprietary to Magnum Fitness Systems. It is submitted in confidence and is to be used solely for the purpose for which it is furnished. This document and such information is not to be reproduced, transmitted, or used in whole or part without written authorization.

TOLERANCES: + 0.000"
- 1/16"

UNLESS OTHERWISE SPECIFIED
DIMENSIONS ARE IN INCHES.

DRAWN BY:
Josh Ellis

DATE:
04/13/07

PART NO.
xxx-xxx

JOB NO.
XXXXXXXX

REV:
1

MAGNUM FITNESS SYSTEMS

2201 12th. Avenue
S. Milwaukee, WI, 53172

TITLE: A79 - Incline Press w/ Storage

FILE LOCATION: C:\Cad Drawings\Solid Works\

1 OF 1