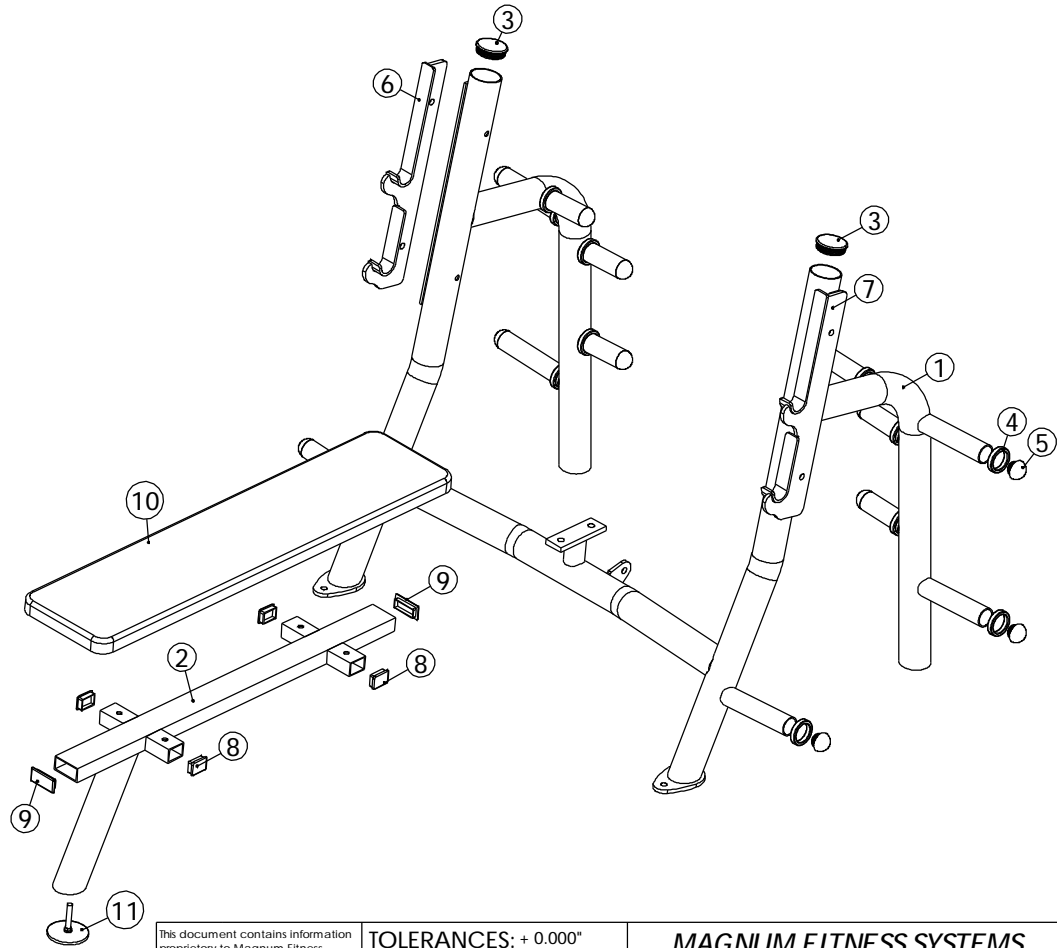


ITEM NO.	QTY.	PART NO.	DESCRIPTION
1	1	101-696	M78 MAIN FRAME
2	1	101-596	M78 SEAT FRAME
3	2	850-045	3" ROUND END CAP
4	12	858-253	2 1/2"OD x 1 7/8"ID RUBBER BUMPER - 1/2"
5	12	850-030	Bullet End Cap
6	1	339-072	M78/678 CHROMED TAKE OFF
7	1	339-073	M78/678 CHROMED TAKE OFF
8	4	850-010	1 1/2" X 2" END CAP
9	2	850-011	1 1/2" x 3" END CAP
10	1	900-020	FOAM - 1 1/2" 10 WEIGHT
11	1	833-129	4" FOOT (LONG)



This document contains information proprietary to Magnum Fitness Systems. It is submitted in confidence and is to be used solely for the purpose for which it is furnished. This document and such information is not to be reproduced, transmitted, or used in whole or part without written authorization.

TOLERANCES: + 0.000"  
- 1/16"

UNLESS OTHERWISE SPECIFIED  
DIMENSIONS ARE IN INCHES.

**MAGNUM FITNESS SYSTEMS**  
2201 12th. Avenue  
S. Milwaukee, WI, 53172

TITLE: A78 - Bench Press w/ Storage

DRAWN BY:  
Josh Ellis

DATE:  
6/26/07

PART NO.  
xxx-xxx

JOB NO.  
XXXXXXXX

REV:  
1

FILE LOCATION: C:\Cad Drawings\Solid Works\

1 OF 1