

This document contains information proprietary to Magnum Fitness Systems. It is submitted in confidence and is to be used solely for the purpose for which it is furnished. This document and such information is not to be reproduced, transmitted, or used in whole or part without written authorization.

TOLERANCES: + 0.000"  
- 1/16"

UNLESS OTHERWISE SPECIFIED  
DIMENSIONS ARE IN INCHES.

DRAWN BY:  
Josh Ellis

**MAGNUM FITNESS SYSTEMS**  
2201 12th. Avenue  
S. Milwaukee, Wi, 53172

TITLE: A62 - Preacher Curl

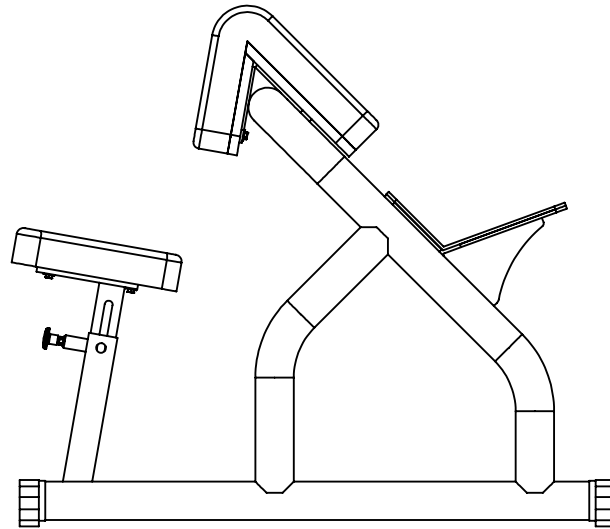
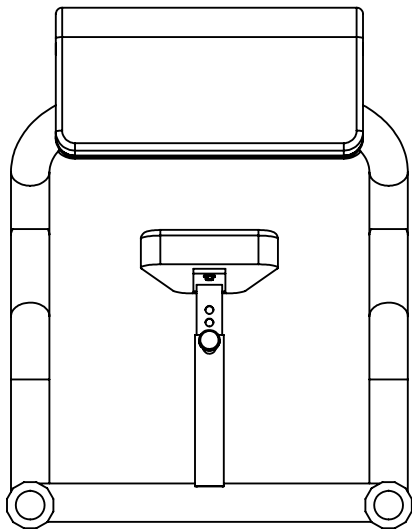
DATE:  
06/11/10

PART NO.  
XXX-XXX

JOB NO.  
XXXXXXXX

REV:  
1

ITEM NO.	PART NUMBER	DESCRIPTION	QTY.
1	101-691	Main Frame	1
2	339-708	SEAT POST - CHROMED	1
3	A62 SEAT PAD	Seat Pad	1
4	A62 ELBOW PAD	Elbow Pad	1
5	850-061	3" Hex Foot	4
6	Preferred Wide FW 0.3125		6
7	HBOLT 0.3125-18x1.5x0.875-N		6
8	700-535	Plastic Guard	2
9	101-140	SPRING PIN ASSEMBLY	1



This document contains information proprietary to Magnum Fitness Systems. It is submitted in confidence and is to be used solely for the purpose for which it is furnished. This document and such information is not to be reproduced, transmitted, or used in whole or part without written authorization.

TOLERANCES: + 0.000"  
- 1/16"

UNLESS OTHERWISE SPECIFIED  
DIMENSIONS ARE IN INCHES.

DRAWN BY:  
Josh Ellis

**MAGNUM FITNESS SYSTEMS**  
2201 12th. Avenue  
S. Milwaukee, Wi, 53172

TITLE: A62 - Preacher Curl

DATE:  
06/11/10

PART NO.  
XXX-XXX

JOB NO.  
XXXXXXXXX

REV:  
1