

This document contains information proprietary to Magnum Fitness Systems. It is submitted in confidence and is to be used solely for the purpose for which it is furnished. This document and such information is not to be reproduced, transmitted, or used in whole or part without written authorization.

TOLERANCES: + 0.000"
- 1/16"

MAGNUM FITNESS SYSTEMS
2201 12th. Avenue
S. Milwaukee, WI, 53172

UNLESS OTHERWISE SPECIFIED
DIMENSIONS ARE IN INCHES.

TITLE: 2218 v 1.0
Pec Deck

DRAWN BY:
J. Wenzel

DATE:
07/02/04

PART NO.
XXX-XXX

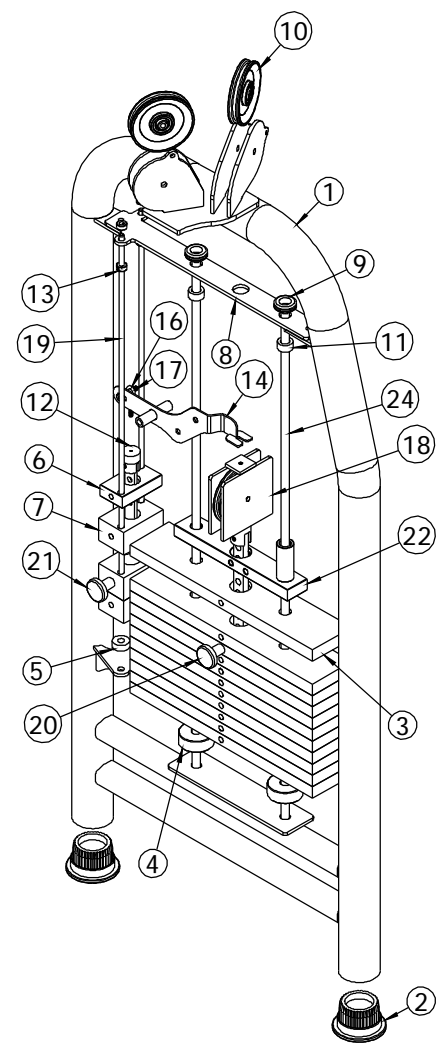
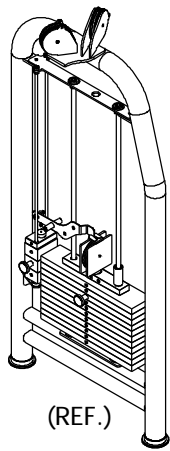
JOB NO.
XXXXXXXX

REV:
1

FILE LOCATION: C:\Cad Drawings\Solid Works\

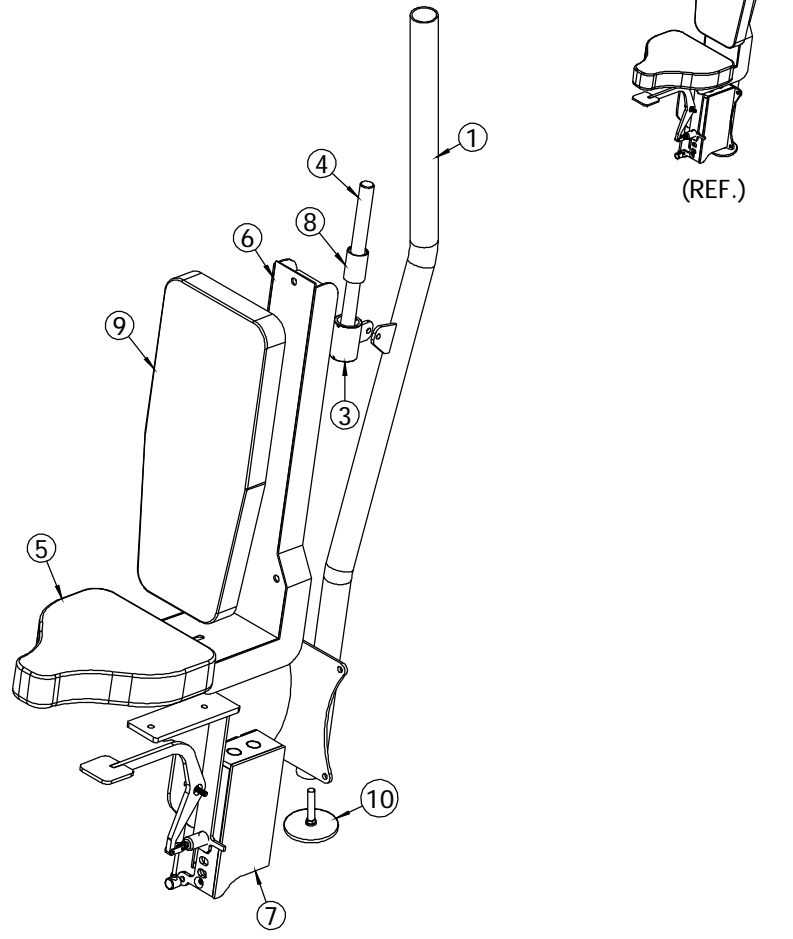
1 OF 4

ITEM NO.	QTY.	PART NO.	DESCRIPTION
1	1	100-957	MAIN FRAME
2	2	850-056	3" FOOT
3	11	300-410	1" x 4" F.S. - 18 1/2"
4	2	838-211	ROUND WEIGHT STACK BUMPER
5	2	858-251	1/2" RUBBER BUMPER
6	1	807-001	1" x 2 1/4" F.S. - 4"
7	3	300-413	2" x 4" F.S. - 2 9/16"
8	1	500-963	1/4" PLASMA
9	2	858-005	5/8" RUBBER GROMMET
10	3	853-303	4" CABLE PULLEY - 3/8" NARROW HOLE
11	2	852-610	5/8" SET COLLAR
12	1	101-053	MINI WEIGHT STACK CENTER STICK
13	4	852-607	3/8" SHAFT COLLAR
14	1	101-083	LEFT BANANA
16	1	818-899	3/8" EYE BOLT - 2 1/2"
17	1	810-953	3/8" SHOULDER BOLT - 1"
18	1	101-115	12 HOLE CENTER STICK
19	2	200-398	3/8" GUIDE ROD - 33 1/8"
20	1	852-007	SELECTOR PIN w/ 6 1/2" CORD
21	1	852-008	SELECTOR PIN w/ 4" CORD
22	1	100-539	TOP WEIGHT PLATE
23	1	600-230	174" CABLE (2218)
24	2	200-389	5/8" GUIDE ROD - 46 1/2"



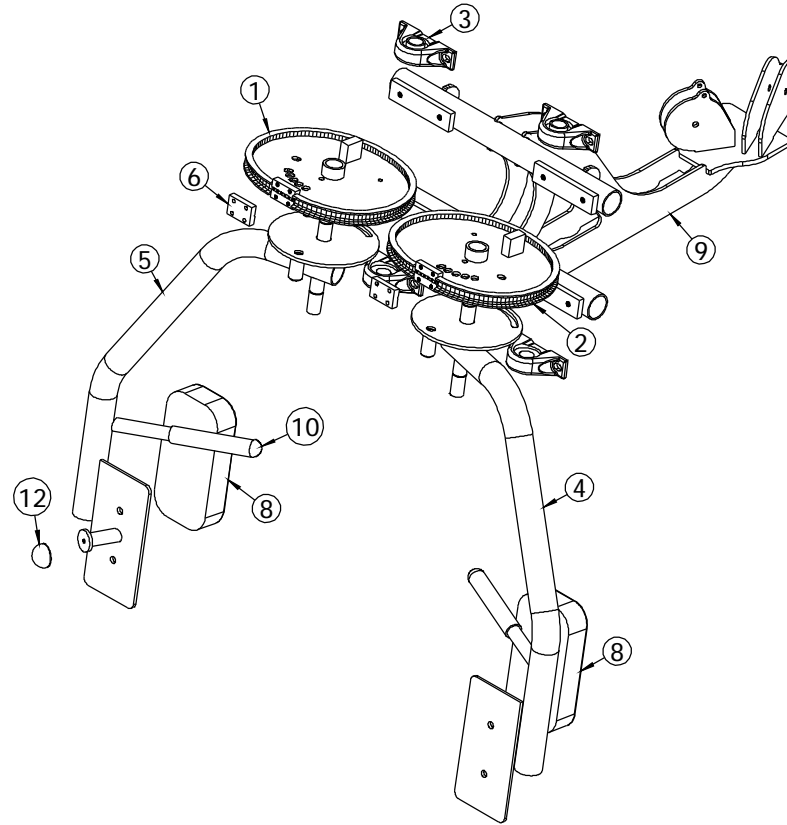
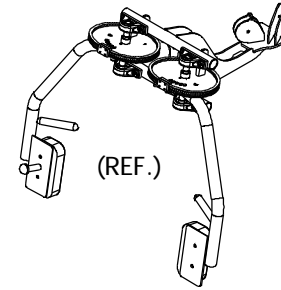
<p>This document contains information proprietary to Magnum Fitness Systems. It is submitted in confidence and is to be used solely for the purpose for which it is furnished. This document and such information is not to be reproduced, transmitted, or used in whole or part without written authorization.</p>	<p>TOLERANCES: + 0.000" - 1/16"</p>	<p>MAGNUM FITNESS SYSTEMS 2201 12th. Avenue S. Milwaukee, WI, 53172</p>		
	<p>UNLESS OTHERWISE SPECIFIED DIMENSIONS ARE IN INCHES.</p>	<p>TITLE: 2218 v 1.0 Main Frame Assembly</p>		
<p>DRAWN BY: J. Wenzel</p>	<p>DATE: 07/02/04</p>	<p>PART NO. XXX-XXX</p>	<p>JOB NO. XXXXXXXXX</p>	<p>REV: 1</p>
<p>FILE LOCATION: C:\Cad Drawings\Solid Works\</p>			<p>2 OF 4</p>	

ITEM NO.	QTY.	PART NO.	DESCRIPTION
1	1	100-957	MAIN FRAME
3	1	100-486	LINEAR BEARING BRACKET
4	1	851-012	12" LINEAR SHAFT
5	1	900-081	SEAT PAD
6	1	100-483	SEAT BACK
7	1	101-116	SEAT BOX
8	1	851-203	1" LINEAR SHAFT BEARING
9	1	900-084	BACK PAD
10	1	833-129	4" FOOT (LONG)



<p>This document contains information proprietary to Magnum Fitness Systems. It is submitted in confidence and is to be used solely for the purpose for which it is furnished. This document and such information is not to be reproduced, transmitted, or used in whole or part without written authorization.</p>	<p>TOLERANCES: + 0.000" - 1/16"</p>	<p>MAGNUM FITNESS SYSTEMS 2201 12th. Avenue S. Milwaukee, WI, 53172</p>		
	<p>UNLESS OTHERWISE SPECIFIED DIMENSIONS ARE IN INCHES.</p>	<p>TITLE: 2218 v 1.0 Seat Assembly</p>		
<p>DRAWN BY: J. Wenzel</p>	<p>DATE: 07/02/04</p>	<p>PART NO. XXX-XXX</p>	<p>JOB NO. XXXXXXXX</p>	<p>REV: 1</p>
<p>FILE LOCATION: C:\Cad Drawings\Solid Works\</p>				<p>3 OF 4</p>

ITEM NO.	QTY.	PART NO.	DESCRIPTION
1	1	100-467	CAM ASSEMBLY (LEFT)
2	1	100-468	CAM ASSEMBLY (RIGHT)
3	4	851-317	1" PILLOW BLOCK
4	1	100-971	LEFT ARM
5	1	100-972	RIGHT ARM
6	2	339-714	1/2" x 1 1/2" F.S. - 2 1/4"
8	2	900-201	ARM PAD
9	1	100-954	MAIN FRAME SUB-ASSEMBLY
10	2	700-023	6 3/8" GRIP
12	1	638-223	HALF-ROUND RUBBER BUMPER



This document contains information proprietary to Magnum Fitness Systems. It is submitted in confidence and is to be used solely for the purpose for which it is furnished. This document and such information is not to be reproduced, transmitted, or used in whole or part without written authorization.

TOLERANCES: + 0.000"
- 1/16"

UNLESS OTHERWISE SPECIFIED
DIMENSIONS ARE IN INCHES.

DRAWN BY:
J. Wenzel

MAGNUM FITNESS SYSTEMS
2201 12th. Avenue
S. Milwaukee, WI, 53172

TITLE: 2218 v 1.0
Arm Assembly

DATE:
07/02/04

PART NO.
XXX-XXX

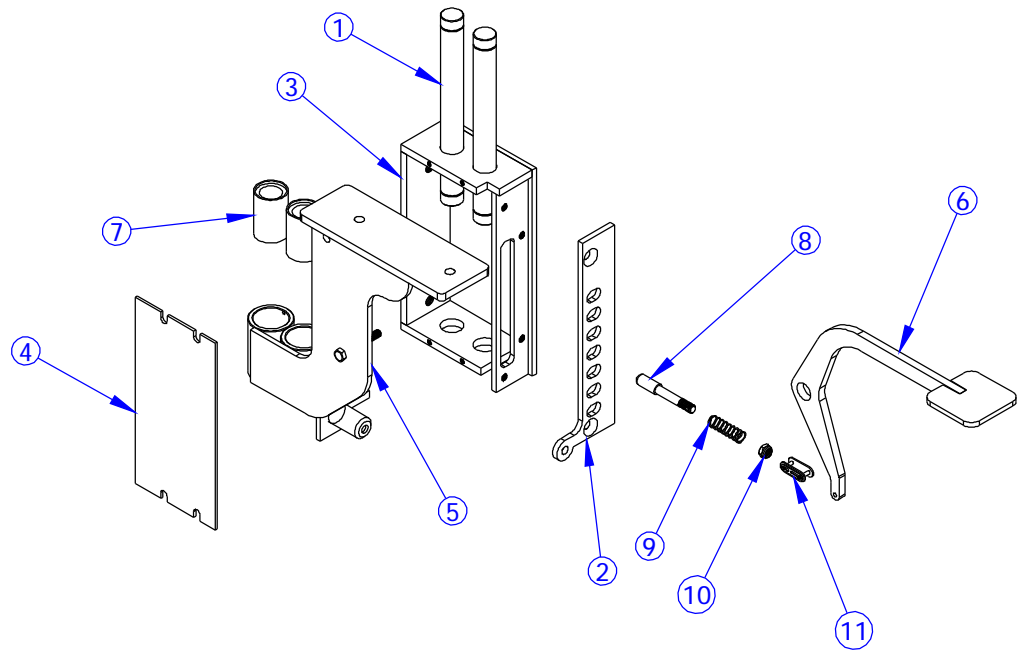
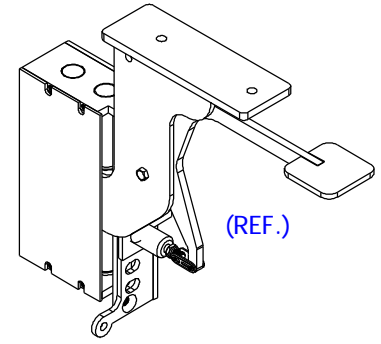
JOB NO.
XXXXXXXX

REV:
1

FILE LOCATION: C:\Cad Drawings\Solid Works\

4 OF 4

ITEM NO.	QTY.	PART NO.	DESCRIPTION
1	2	851-009	1" LINEAR SHAFT - 9 3/4"
2	1	339-963	1/4" PLASMA
3	1	100-352	SEAT BOX
4	1	500-462	10 GA. PLASMA
5	1	100-485	SEAT BOX BRACKET
6	1	101-117	HANDLE
7	2	851-203	1" LINEAR SHAFT BEARING
8	1	855-302	SPRING PIN w/ 5/32"
9	1	852-807	SPRING
10	1	817-306	3/8"-16 JAM NUT
11	1	700-534	MASTER LINK



<p>This document contains information proprietary to Magnum Fitness Systems. It is submitted in confidence and is to be used solely for the purpose for which it is furnished. This document and such information is not to be reproduced, transmitted, or used in whole or part without written authorization.</p>	<p>TOLERANCES: + 0.000" - 1/16"</p>		<p>MAGNUM FITNESS SYSTEMS 2201 12th. Avenue S. Milwaukee, WI, 53172</p>	
	<p>UNLESS OTHERWISE SPECIFIED DIMENSIONS ARE IN INCHES.</p>		<p>TITLE: SEAT BOX</p>	
<p>DRAWN BY: Joshua Wenzel</p>	<p>DATE: 05/25/04</p>	<p>PART NO. 101-116</p>	<p>JOB NO. XXXXXXXX</p>	<p>REV: 1</p>
<p>FILE LOCATION: C:\Cad Drawings\Solid Works\</p>				<p>1 OF 1</p>