

This document contains information proprietary to Magnum Fitness Systems. It is submitted in confidence and is to be used solely for the purpose for which it is furnished. This document and such information is not to be reproduced, transmitted, or used in whole or part without written authorization.

TOLERANCES: + 0.000"  
- 1/16"

UNLESS OTHERWISE SPECIFIED  
DIMENSIONS ARE IN INCHES.

DRAWN BY:  
R. Degenhardt

**MAGNUM FITNESS SYSTEMS**  
2201 12th. Avenue  
S. Milwaukee, WI, 53172

TITLE: 2037 - WEIGHT ASSIST CHIN/DIP

DATE:  
08/23/04

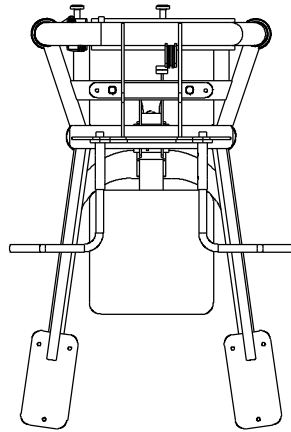
PART NO.  
xxx-xxx

JOB NO.  
XXXXXXXX

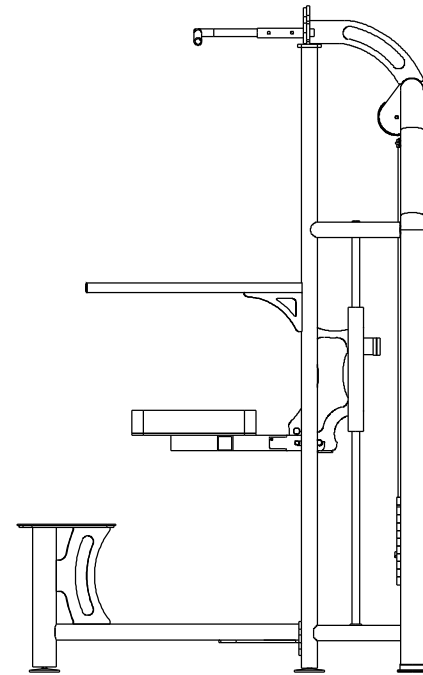
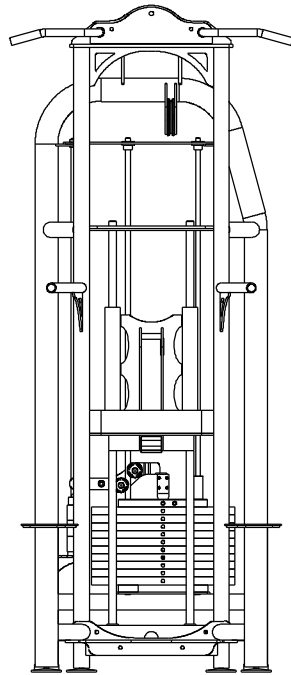
REV:  
1

FILE LOCATION: C:\Cad Drawings\Solid Works\

1 OF 3



ITEM NO.	QTY.	PART NO.	DESCRIPTION
1	1	101-067	2037 SUB-ASSEMBLY
2	1	101-170	WEIGHT STACK ASSEMBLY
3	1	101-171	MINI WEIGHT STACK
4	2	851-518	1 1/4" BRASS BUSHING
5	1	101-069	2037 SUB-ASSEMBLY
6	2	851-165	INA 1" LINEAR SHAFT - 54"
7	1	501-261	3/8" PLASMA
8	1	101-070	2037 SUB-ASSEMBLY
9	4	851-203	1" LINEAR SHAFT BEARING
10	1	101-068	HANDLE ASSEMBLY
11	1	100-299	CARRAGE
12	1	900-098	UPHOLSTRY
13	1	339-714	1/2" x 1 1/2" F.S. - 2 1/4"
14	1	853-303	4" CABLE PULLEY - 3/8" NARROW HOLE
15	1	838-223	HALF-ROUND RUBBER BUMPER
16	2	501-281	DIAMOND PLATE
17	1	101-149	RIGHT BANANA
18	2	850-056	3" FOOT
19	4	833-129	4" FOOT (LONG)



This document contains information proprietary to Magnum Fitness Systems. It is submitted in confidence and is to be used solely for the purpose for which it is furnished. This document and such information is not to be reproduced, transmitted, or used in whole or part without written authorization.

TOLERANCES: + 0.000"  
- 1/16"

UNLESS OTHERWISE SPECIFIED  
DIMENSIONS ARE IN INCHES.

DRAWN BY:  
RAD

**MAGNUM FITNESS SYSTEMS**

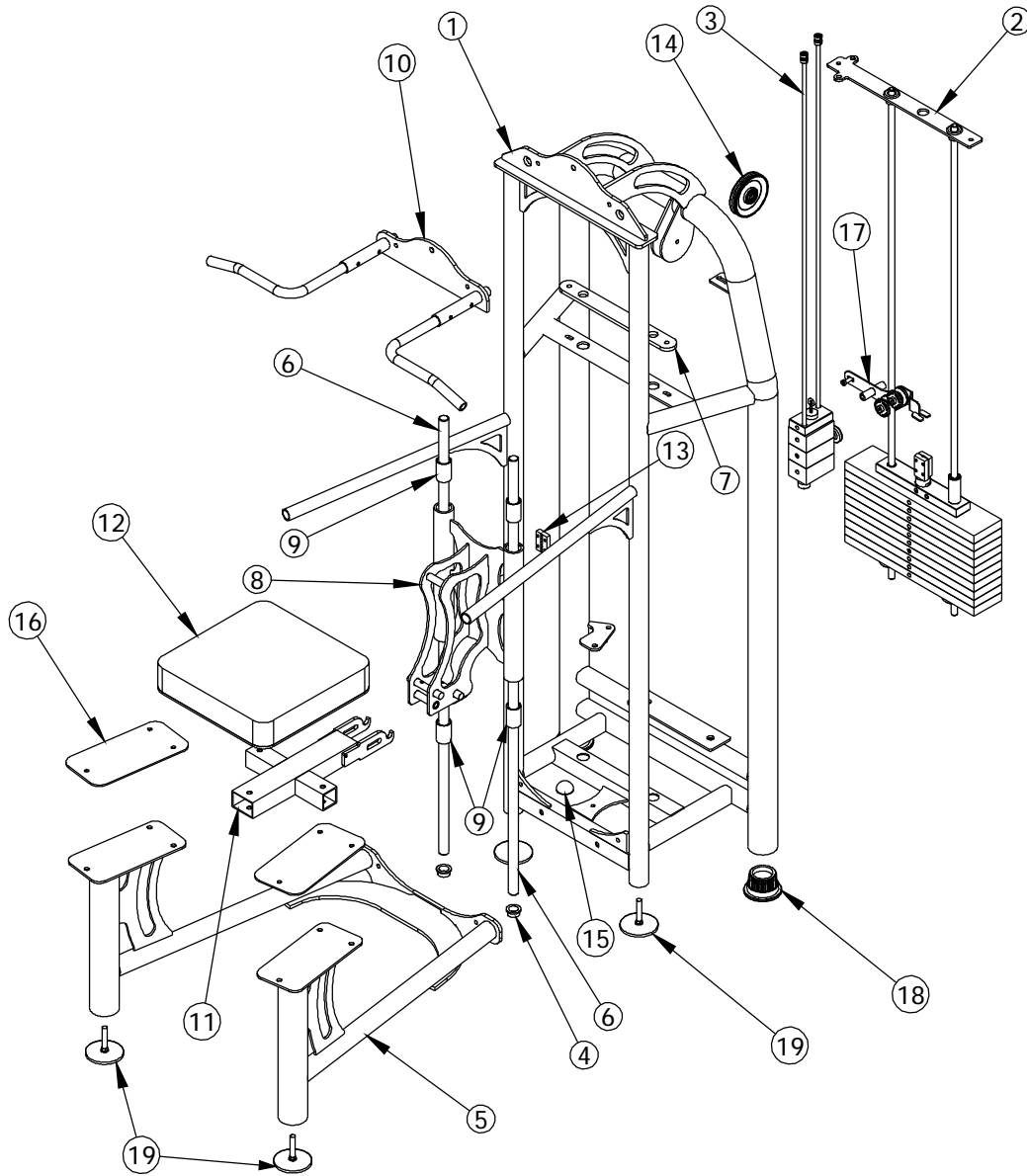
2201 12th. Avenue  
S. Milwaukee, WI, 53172

TITLE: 2037 - WEIGHT ASSIST CHIN/DIP

DATE: 08/23/04	PART NO. xxx-xxx	JOB NO. XXXXXXXX	REV: 1
-------------------	---------------------	---------------------	-----------

FILE LOCATION: C:\Cad Drawings\Solid Works\

1 OF 1



This document contains information proprietary to Magnum Fitness Systems. It is submitted in confidence and is to be used solely for the purpose for which it is furnished. This document and such information is not to be reproduced, transmitted, or used in whole or part without written authorization.

TOLERANCES: + 0.000"  
- 1/16"

**MAGNUM FITNESS SYSTEMS**

2201 12th. Avenue  
S. Milwaukee, WI, 53172

TITLE: 2037 - WEIGHT ASSIST CHIN/DIP

UNLESS OTHERWISE SPECIFIED  
DIMENSIONS ARE IN INCHES.

DRAWN BY:  
RAD

DATE:  
08/23/04

PART NO.  
xxx-xxx

JOB NO.  
XXXXXXXX

REV:  
1

FILE LOCATION: C:\Cad Drawings\Solid Works\

1 OF 1