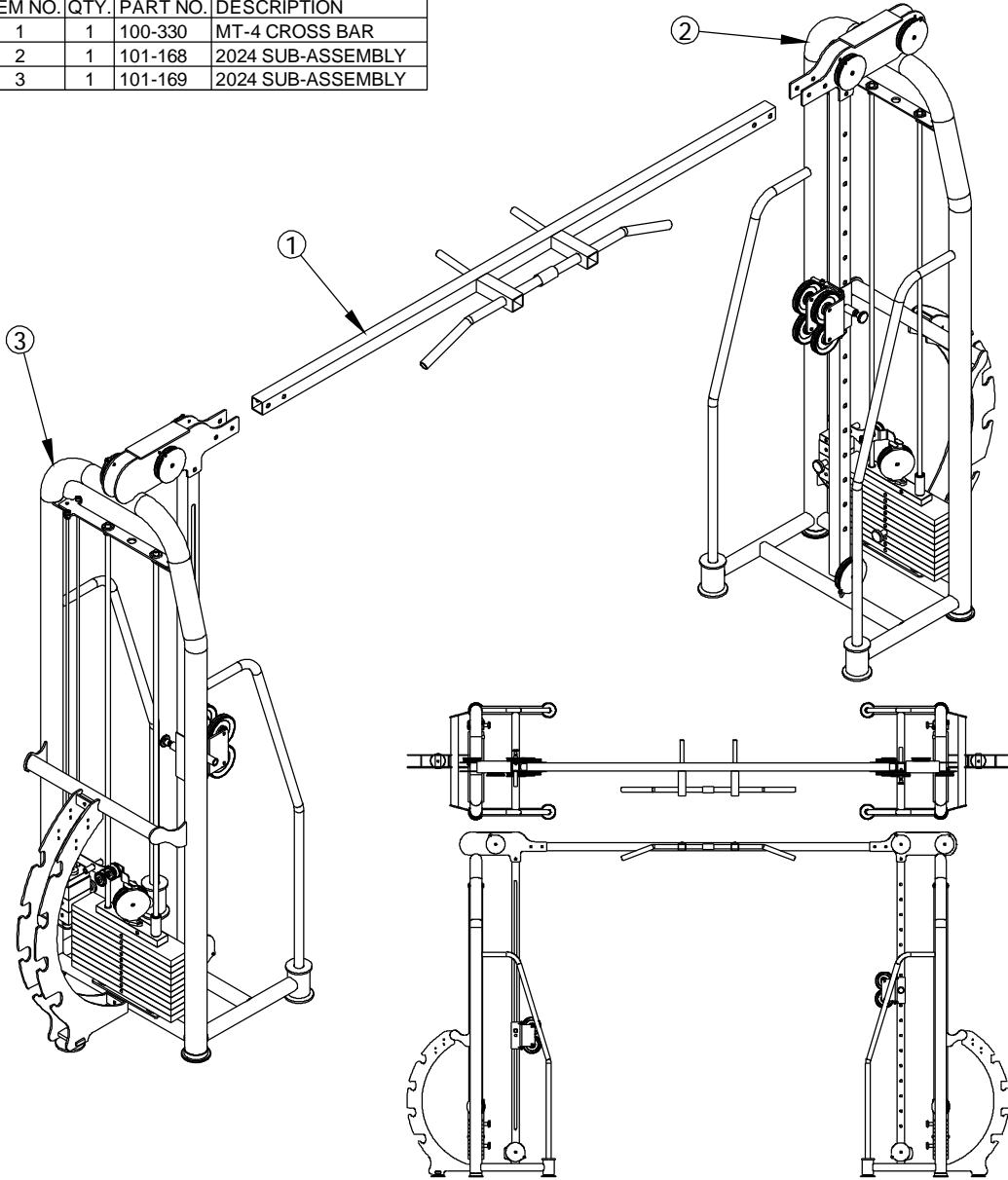


ITEM NO.	QTY.	PART NO.	DESCRIPTION
1	1	100-330	MT-4 CROSS BAR
2	1	101-168	2024 SUB-ASSEMBLY
3	1	101-169	2024 SUB-ASSEMBLY



This document contains information proprietary to Magnum Fitness Systems. It is submitted in confidence and is to be used solely for the purpose for which it is furnished. This document and such information is not to be reproduced, transmitted, or used in whole or part without written authorization.

TOLERANCES: + 0.000"
- 1/16"

UNLESS OTHERWISE SPECIFIED
DIMENSIONS ARE IN INCHES.

DRAWN BY:
RAD

MAGNUM FITNESS SYSTEMS

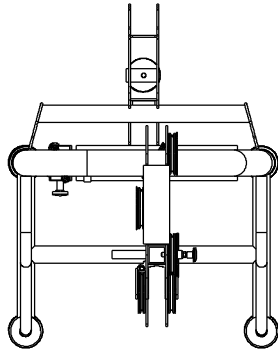
2201 12th. Avenue
S. Milwaukee, WI, 53172

TITLE: 2024 - CABLE CROSS OVER

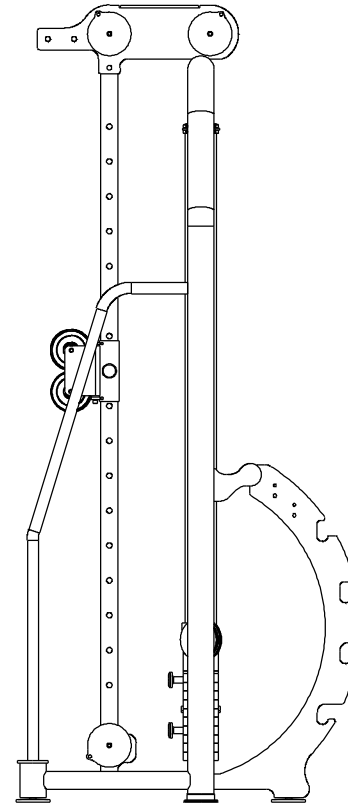
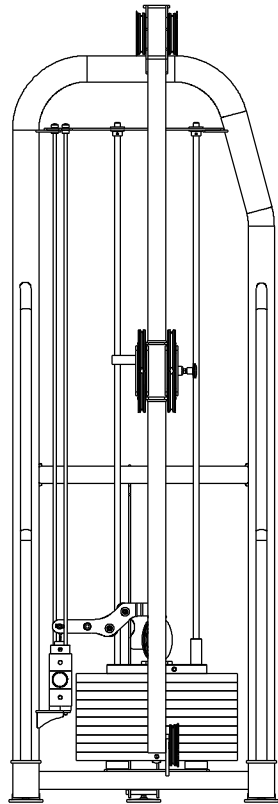
DATE: 08/19/04	PART NO. xxx-xxx	JOB NO. XXXXXXXX	REV: 1
-------------------	---------------------	---------------------	-----------

FILE LOCATION: C:\Cad Drawings\Solid Works\

1 OF 1



ITEM NO.	QTY.	PART NO.	DESCRIPTION
1	1	101-086	2024 SUB-ASSEMBLY
2	1	101-094	2024 AC. RACK
3	1	101-163	WEIGHT STACK ASSEMBLY
4	1	101-166	MINI WEIGHT STACK
5	1	339-731	2" x 2" TUBE - 79 1/2" (CHROMED)
6	1	101-167	CABLE ADJUSTMENT
7	5	853-303	4" CABLE PULLEY - 3/8" NARROW HOLE
8	1	101-148	LEFT BANANA ASSEMBLY
9	2	850-056	3" FOOT
10	3	833-129	4" FOOT (LONG)
11	4	501-125	1/8" PLASMA



This document contains information proprietary to Magnum Fitness Systems. It is submitted in confidence and is to be used solely for the purpose for which it is furnished. This document and such information is not to be reproduced, transmitted, or used in whole or part without written authorization.

TOLERANCES: + 0.000"
- 1/16"

UNLESS OTHERWISE SPECIFIED
DIMENSIONS ARE IN INCHES.

DRAWN BY:
RAD

MAGNUM FITNESS SYSTEMS

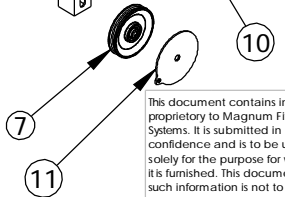
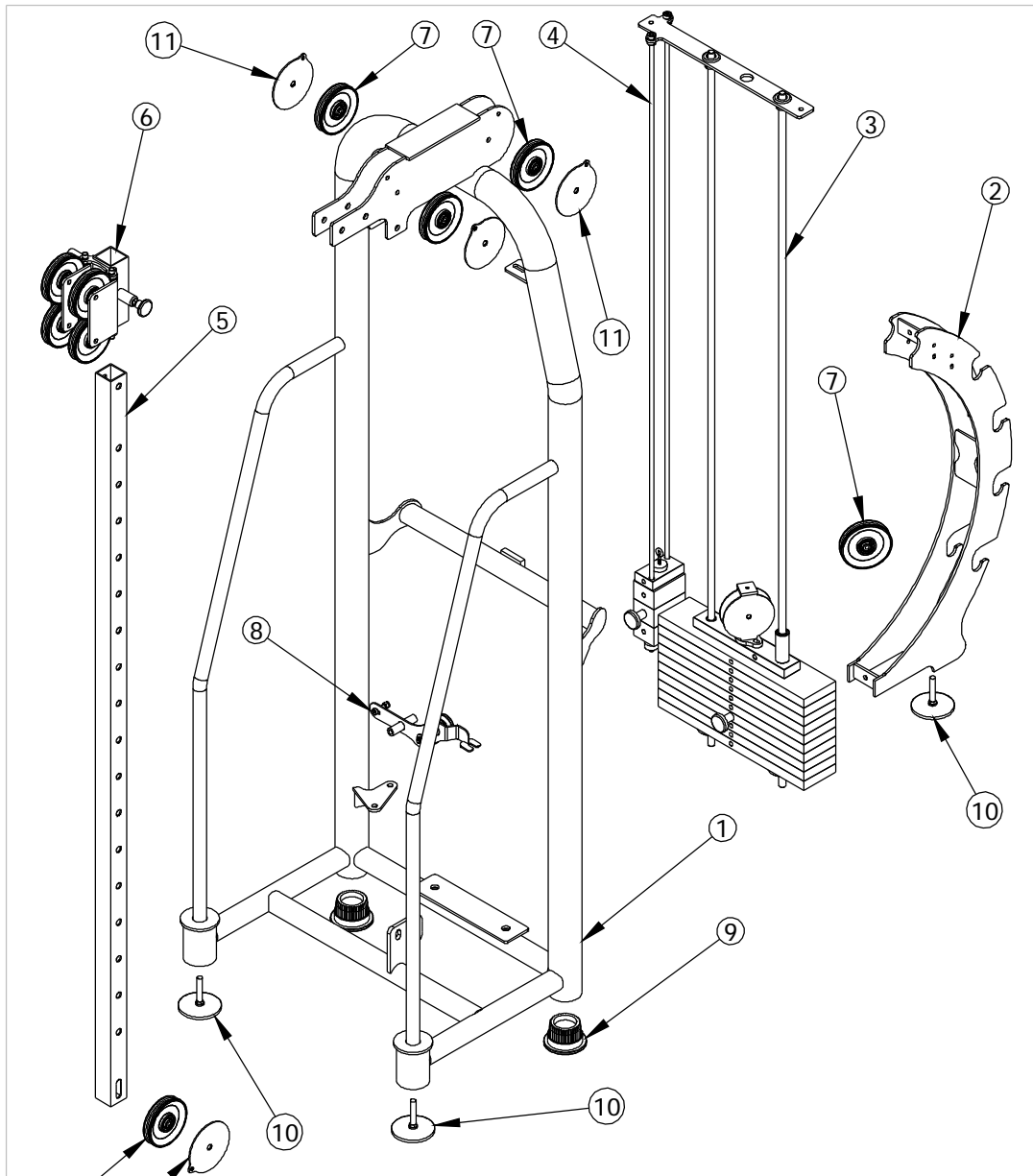
2201 12th. Avenue
S. Milwaukee, WI, 53172

TITLE: 2024 SUB-ASSEMBLY

DATE: 08/19/04	PART NO. 101-168	JOB NO. XXXXXXXX	REV: 1
-------------------	---------------------	---------------------	-----------

FILE LOCATION: C:\Cad Drawings\Solid Works\

1 OF 2



This document contains information proprietary to Magnum Fitness Systems. It is submitted in confidence and is to be used solely for the purpose for which it is furnished. This document and such information is not to be reproduced, transmitted, or used in whole or part without written authorization.

TOLERANCES: + 0.000"
- 1/16"

UNLESS OTHERWISE SPECIFIED
DIMENSIONS ARE IN INCHES.

DRAWN BY:
RAD

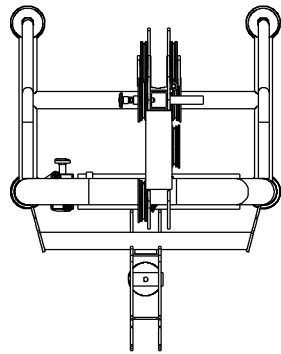
MAGNUM FITNESS SYSTEMS
2201 12th. Avenue
S. Milwaukee, WI, 53172

TITLE: 2024 SUB-ASSEMBLY

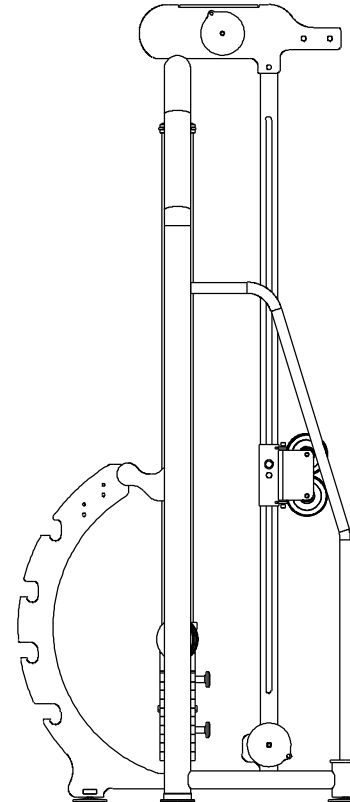
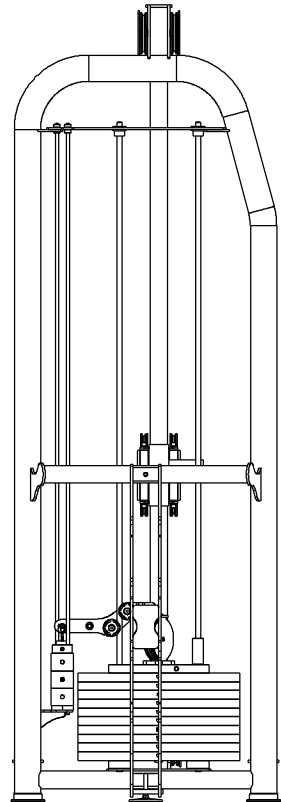
DATE: 08/19/04	PART NO. 101-168	JOB NO. XXXXXXXX	REV: 1
-------------------	---------------------	---------------------	-----------

FILE LOCATION: C:\Cad Drawings\Solid Works\

2 OF 2



ITEM NO.	QTY.	PART NO.	DESCRIPTION
1	1	101-095	2024 SUB-ASSEMBLY
2	1	101-094	2024 AC. RACK
3	1	101-165	WEIGHT STACK ASSEMBLY
4	1	101-166	MINI WEIGHT STACK
5	1	339-731	2" x 2" TUBE - 79 1/2" (CHROMED)
6	1	101-167	CABLE ADJUSTMENT
7	5	853-303	4" CABLE PULLEY - 3/8" NARROW HOLE
8	1	101-149	RIGHT BANANA
9	2	850-056	3" FOOT
10	3	833-129	4" FOOT (LONG)
11	4	501-125	1/8" PLASMA



This document contains information proprietary to Magnum Fitness Systems. It is submitted in confidence and is to be used solely for the purpose for which it is furnished. This document and such information is not to be reproduced, transmitted, or used in whole or part without written authorization.

TOLERANCES: + 0.000"
- 1/16"

UNLESS OTHERWISE SPECIFIED
DIMENSIONS ARE IN INCHES.

DRAWN BY:
RAD

MAGNUM FITNESS SYSTEMS

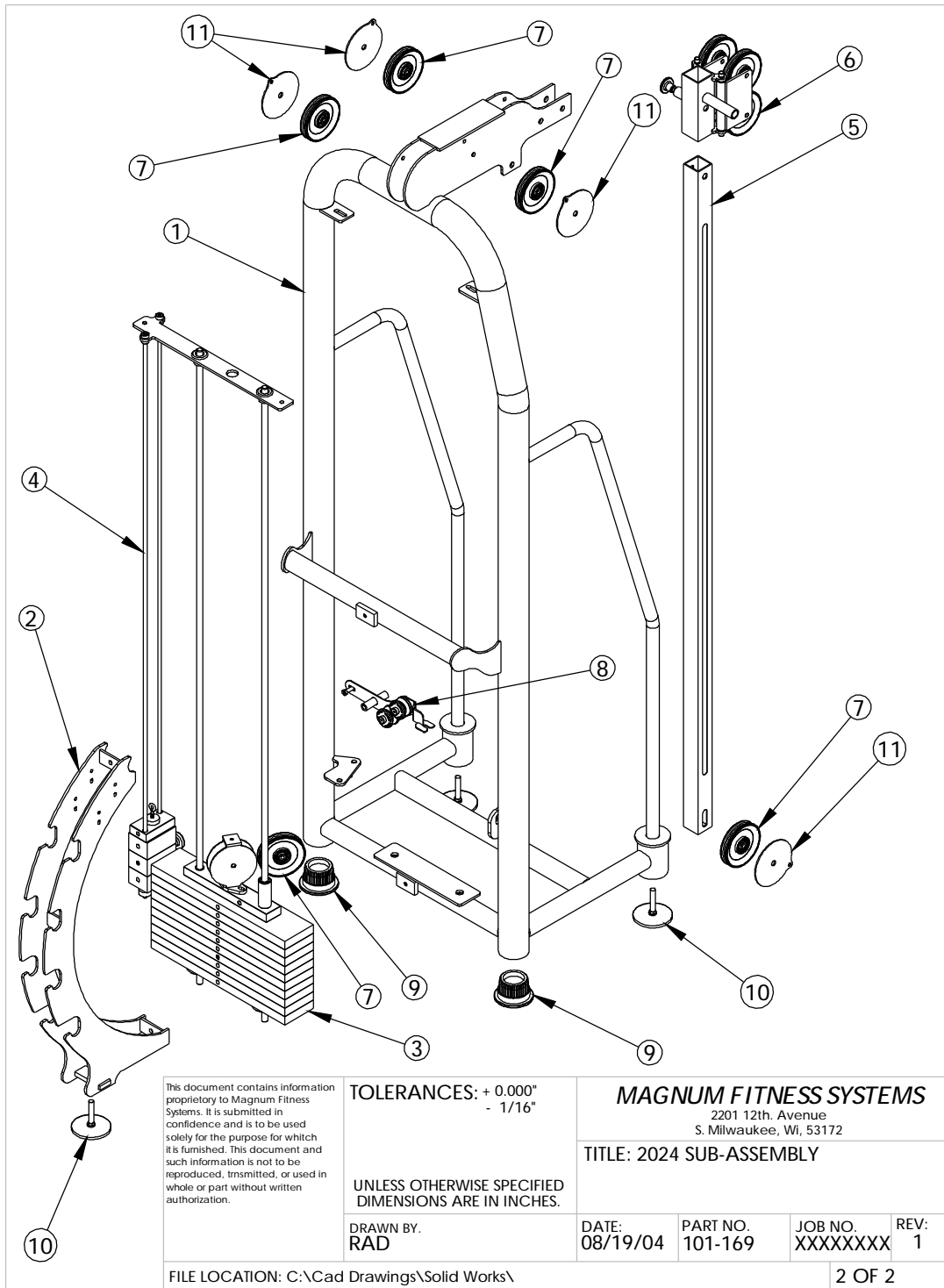
2201 12th. Avenue
S. Milwaukee, WI, 53172

TITLE: 2024 SUB-ASSEMBLY

DATE: 08/19/04	PART NO. 101-169	JOB NO. XXXXXXXX	REV: 1
-------------------	---------------------	---------------------	-----------

FILE LOCATION: C:\Cad Drawings\Solid Works\

1 OF 2



This document contains information proprietary to Magnum Fitness Systems. It is submitted in confidence and is to be used solely for the purpose for which it is furnished. This document and such information is not to be reproduced, transmitted, or used in whole or part without written authorization.

TOLERANCES: + 0.000"
- 1/16"

UNLESS OTHERWISE SPECIFIED
DIMENSIONS ARE IN INCHES.

DRAWN BY:
RAD

DATE:
08/19/04

PART NO.
101-169

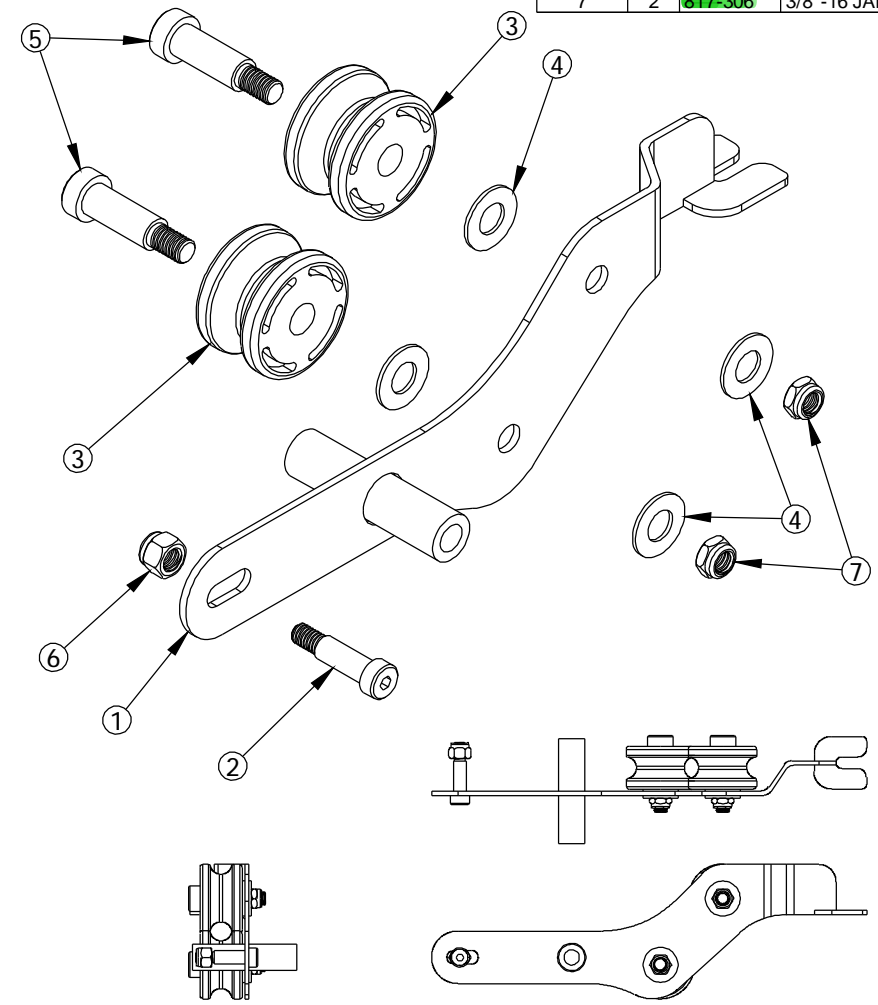
JOB NO.
XXXXXXXXX

REV:
1

MAGNUM FITNESS SYSTEMS
2201 12th. Avenue
S. Milwaukee, WI, 53172

TITLE: 2024 SUB-ASSEMBLY

ITEM NO.	QTY.	PART NO.	DESCRIPTION
1	1	101-083	LEFT BANANA
2	1	810-953	3/8" SHOULDER BOLT - 1"
3	2	853-314	ROLLER w/ BEARING
4	4	818-008	1/2" FLAT WASHER
5	2	810-954	1/2" x 1 1/4" SHOULDER BOLT
6	1	817-406	3/8" NUT
7	2	817-306	3/8"-16 JAM NUT



This document contains information proprietary to Magnum Fitness Systems. It is submitted in confidence and is to be used solely for the purpose for which it is furnished. This document and such information is not to be reproduced, transmitted, or used in whole or part without written authorization.

TOLERANCES: + 0.000"
- 1/16"

UNLESS OTHERWISE SPECIFIED
DIMENSIONS ARE IN INCHES.

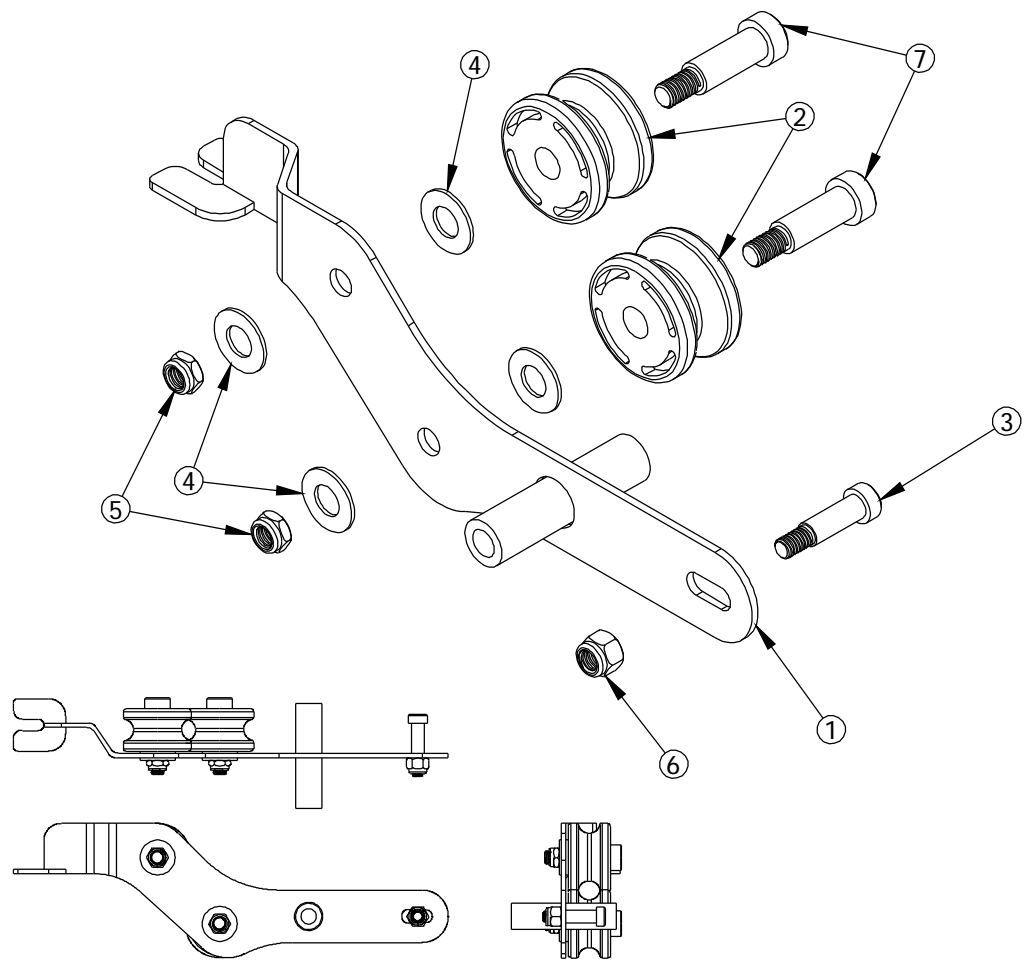
DRAWN BY:
RAD

MAGNUM FITNESS SYSTEMS
2201 12th. Avenue
S. Milwaukee, WI, 53172

TITLE: BANANA ASSEMBLY (LEFT)

DATE: 08/02/04	PART NO. 101-148	JOB NO. XXXXXXXX	REV: 1
-------------------	---------------------	---------------------	-----------

ITEM NO.	QTY.	PART NO.	DESCRIPTION
1	1	101-084	RIGHT BANANA
2	2	853-314	ROLLER w/ BEARING
3	1	810-953	3/8" SHOULDER BOLT - 1"
4	4	818-008	1/2" FLAT WASHER
5	2	817-306	3/8"-16 JAM NUT
6	1	817-406	3/8" NUT
7	2	810-954	1/2" x 1 1/4" SHOULDER BOLT



This document contains information proprietary to Magnum Fitness Systems. It is submitted in confidence and is to be used solely for the purpose for which it is furnished. This document and such information is not to be reproduced, transmitted, or used in whole or part without written authorization.

TOLERANCES: + 0.000"
- 1/16"

UNLESS OTHERWISE SPECIFIED
DIMENSIONS ARE IN INCHES.

DRAWN BY:
RAD

MAGNUM FITNESS SYSTEMS
2201 12th. Avenue
S. Milwaukee, WI, 53172

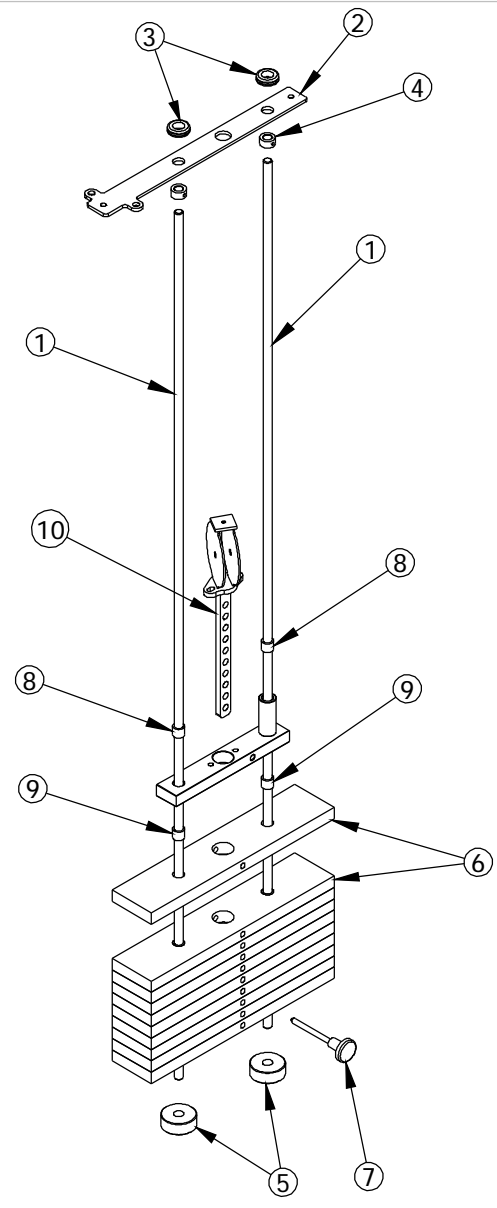
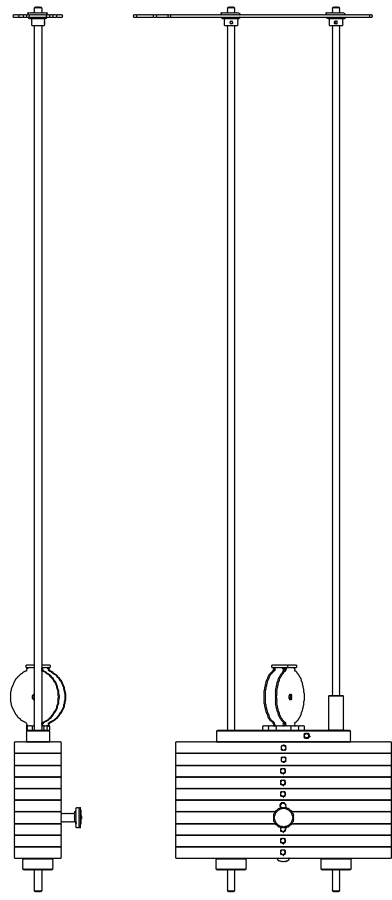
TITLE: BANANA ASSEMBLY (RIGHT)

DATE: 08/02/04	PART NO. 101-149	JOB NO. XXXXXXXX	REV: 1
-------------------	---------------------	---------------------	-----------

FILE LOCATION: C:\Cad Drawings\Solid Works\

1 OF 1

ITEM NO.	QTY.	PART NO.	DESCRIPTION
1	2	200-410	5/8" GUIDE ROD - 64 1/2"
2	1	500-963	1/4" PLASMA
3	2	858-005	5/8" RUBBER GROMMET
4	2	852-610	5/8" SET COLLAR
5	2	838-211	ROUND WEIGHT STACK BUMPER
6	10	300-410	1" x 4" F.S. - 18 1/2"
7	1	852-007	SELECTOR PIN w/ 6 1/2" CORD
8	2	849-001	7/8"OD x 5/8"ID x 3/4" BUSHING
9	20	849-002	7/8"OD x .640"ID x 3/4" BUSHING
10	1	101-164	CENTER STICK - 10
11	1	101-129	TOP WEIGHT PLATE



This document contains information proprietary to Magnum Fitness Systems. It is submitted in confidence and is to be used solely for the purpose for which it is furnished. This document and such information is not to be reproduced, transmitted, or used in whole or part without written authorization.

TOLERANCES: + 0.000"
- 1/16"

UNLESS OTHERWISE SPECIFIED
DIMENSIONS ARE IN INCHES.

DRAWN BY:
RAD

MAGNUM FITNESS SYSTEMS
2201 12th. Avenue
S. Milwaukee, WI, 53172

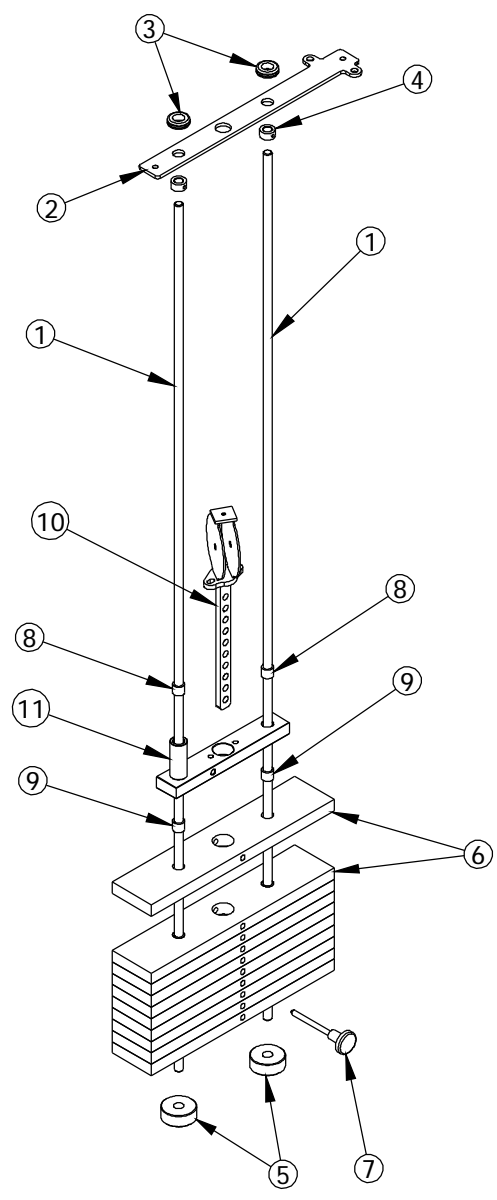
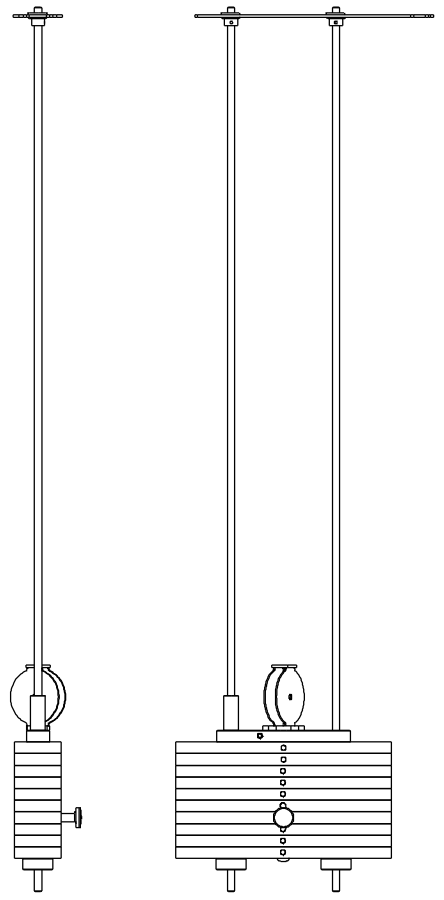
TITLE: "E" SERIES WEIGHT STACK

DATE: 08/17/04	PART NO. 101-163	JOB NO. XXXXXXXXX	REV: 1
-------------------	---------------------	----------------------	-----------

FILE LOCATION: C:\Cad Drawings\Solid Works\

1 OF 1

ITEM NO.	QTY.	PART NO.	DESCRIPTION
1	2	200-410	5/8" GUIDE ROD - 64 1/2"
2	1	500-963	1/4" PLASMA
3	2	858-005	5/8" RUBBER GROMMET
4	2	852-610	5/8" SET COLLAR
5	2	838-211	ROUND WEIGHT STACK BUMPER
6	10	300-410	1" x 4" F.S. - 18 1/2"
7	1	852-007	SELECTOR PIN w/ 6 1/2" CORD
8	2	849-001	7/8"OD x 5/8"ID x 3/4" BUSHING
9	20	849-002	7/8"OD x .640"ID x 3/4" BUSHING
10	1	101-164	CENTER STICK - 10
11	1	101-129	TOP WEIGHT PLATE



This document contains information proprietary to Magnum Fitness Systems. It is submitted in confidence and is to be used solely for the purpose for which it is furnished. This document and such information is not to be reproduced, transmitted, or used in whole or part without written authorization.

TOLERANCES: + 0.000"
- 1/16"

UNLESS OTHERWISE SPECIFIED
DIMENSIONS ARE IN INCHES.

DRAWN BY:
RAD

MAGNUM FITNESS SYSTEMS
2201 12th. Avenue
S. Milwaukee, WI, 53172

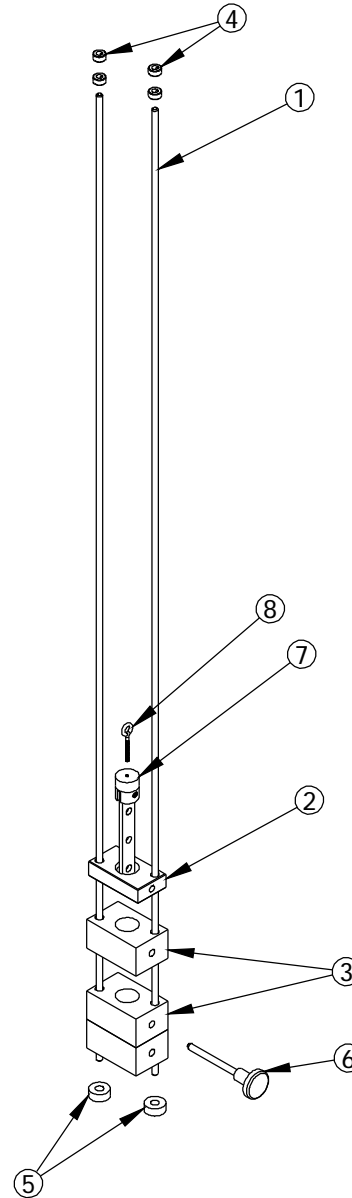
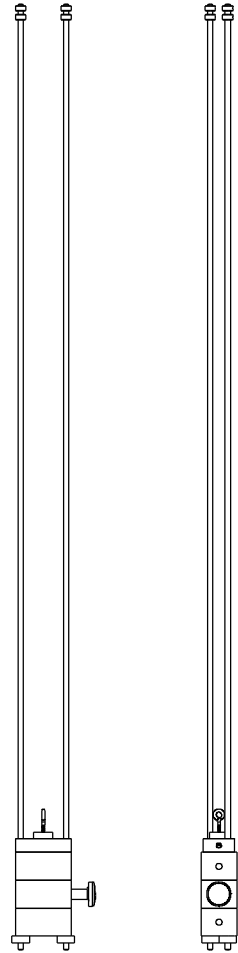
TITLE: "E" SERIES WEIGHT STACK

DATE: 08/17/04	PART NO. 101-165	JOB NO. XXXXXXXXX	REV: 1
-------------------	---------------------	----------------------	-----------

FILE LOCATION: C:\Cad Drawings\Solid Works\

1 OF 1

ITEM NO.	QTY.	PART NO.	DESCRIPTION
1	2	200-411	3/8" GUIDE ROD - 67 3/4"
2	1	807-001	1" x 2 1/4" F.S. - 4"
3	3	300-413	2" x 4" F.S. - 2 9/16"
4	4	852-607	3/8" SHAFT COLLAR
5	2	858-251	1/2" RUBBER BUMPER
6	1	852-008	SELECTOR PIN w/ 4" CORD
7	1	101-053	MINI WEIGHT STACK CENTER STICK
8	1	818-899	3/8" EYE BOLT - 2 1/2"



This document contains information proprietary to Magnum Fitness Systems. It is submitted in confidence and is to be used solely for the purpose for which it is furnished. This document and such information is not to be reproduced, transmitted, or used in whole or part without written authorization.

TOLERANCES: + 0.000"
- 1/16"

UNLESS OTHERWISE SPECIFIED
DIMENSIONS ARE IN INCHES.

DRAWN BY:
RAD

MAGNUM FITNESS SYSTEMS
2201 12th. Avenue
S. Milwaukee, WI, 53172

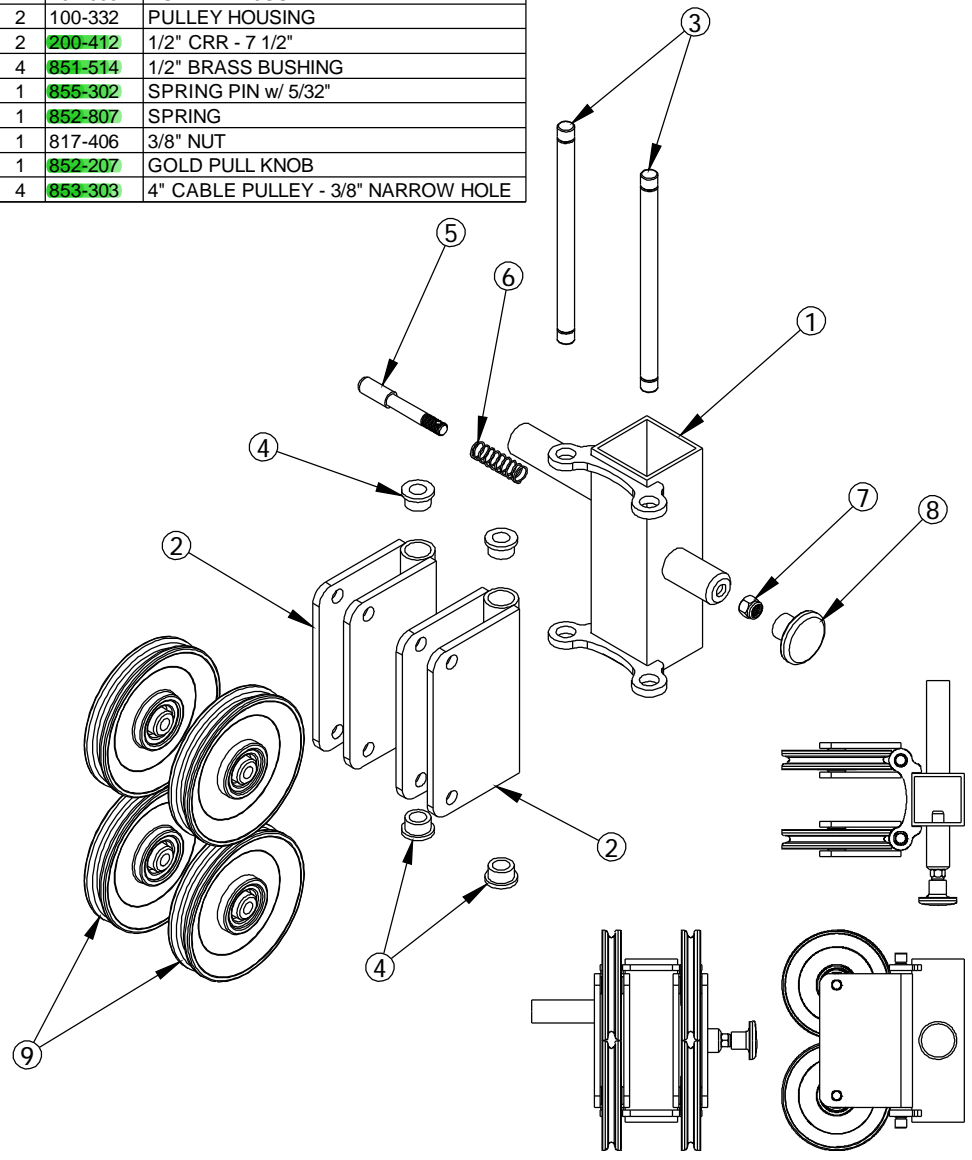
TITLE: "E" SERIES MINI STACK

DATE: 08/17/04	PART NO. 101-166	JOB NO. XXXXXXXX	REV: 1
-------------------	---------------------	---------------------	-----------

FILE LOCATION: C:\Cad Drawings\Solid Works\

1 OF 1

ITEM NO.	QTY.	PART NO.	DESCRIPTION
1	1	101-099	PULLEY ADJUSTMENT
2	2	100-332	PULLEY HOUSING
3	2	200-412	1/2" CRR - 7 1/2"
4	4	851-514	1/2" BRASS BUSHING
5	1	855-302	SPRING PIN w/ 5/32"
6	1	852-807	SPRING
7	1	817-406	3/8" NUT
8	1	852-207	GOLD PULL KNOB
9	4	853-303	4" CABLE PULLEY - 3/8" NARROW HOLE



This document contains information proprietary to Magnum Fitness Systems. It is submitted in confidence and is to be used solely for the purpose for which it is furnished. This document and such information is not to be reproduced, transmitted, or used in whole or part without written authorization.

TOLERANCES: + 0.000"
- 1/16"

UNLESS OTHERWISE SPECIFIED
DIMENSIONS ARE IN INCHES.

DRAWN BY:
RAD

MAGNUM FITNESS SYSTEMS
2201 12th. Avenue
S. Milwaukee, WI, 53172

TITLE: PULLEY ADJUSTMENT

DATE: 08/18/04	PART NO. 101-167	JOB NO. XXXXXXXX	REV: 1
-------------------	---------------------	---------------------	-----------

FILE LOCATION: C:\Cad Drawings\Solid Works\

1 OF 1