

This document contains information proprietary to Magnum Fitness Systems. It is submitted in confidence and is to be used solely for the purpose for which it is furnished. This document and such information is not to be reproduced, transmitted, or used in whole or part without written authorization.

TOLERANCES: + 0.000"
- 1/16"

MAGNUM FITNESS SYSTEMS
2201 12th. Avenue
S. Milwaukee, WI, 53172

UNLESS OTHERWISE SPECIFIED
DIMENSIONS ARE IN INCHES.

TITLE: 2021 - LAT PULLDOWN

DRAWN BY:
RAD

DATE:
08/13/04

PART NO.
xxx-xxx

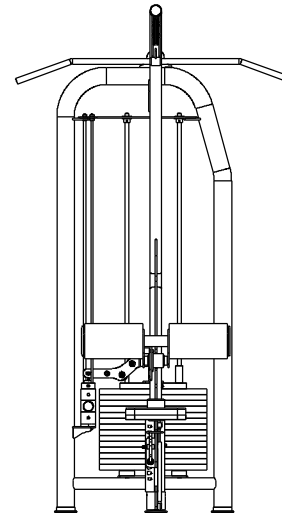
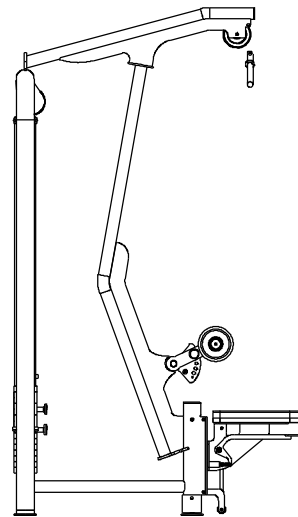
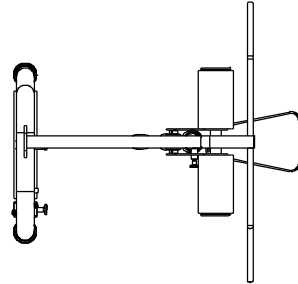
JOB NO.
XXXXXXXX

REV:
1

FILE LOCATION: C:\Cad Drawings\Solid Works\

1 OF 1

ITEM NO.	QTY.	PART NO.	DESCRIPTION
1	1	101-027	2021 SUB-ASSEMBLY
2	1	101-142	WEIGHT STACK ASSEMBLY
3	1	101-144	MINI WEIGHT STACK
4	1	101-101	LONG SEAT BOX (LEFT)
5	1	101-148	LEFT BANANA ASSEMBLY
6	1	101-150	KNEE HOLD DOWN
7	1	339-015	1/4" PLASMA - CHROMED
8	2	851-416	FLANGE BEARING - 1"
9	1	101-052	ADJUSTABLE FOOT MOUNT
10	2	853-303	4" CABLE PULLEY - 3/8" NARROW HOLE
11	1	850-045	3" ROUND END CAP
12	2	850-056	3" FOOT
13	1	833-129	4" FOOT (LONG)
14	1	850-035	2" ROUND END CAP
16	1	805-408	HARD CHROME 48" LAT BAR
17	1	901-004	SEAT UPHOLSTERY



This document contains information proprietary to Magnum Fitness Systems. It is submitted in confidence and is to be used solely for the purpose for which it is furnished. This document and such information is not to be reproduced, transmitted, or used in whole or part without written authorization.

TOLERANCES: + 0.000"
- 1/16"

UNLESS OTHERWISE SPECIFIED
DIMENSIONS ARE IN INCHES.

DRAWN BY:
RAD

MAGNUM FITNESS SYSTEMS

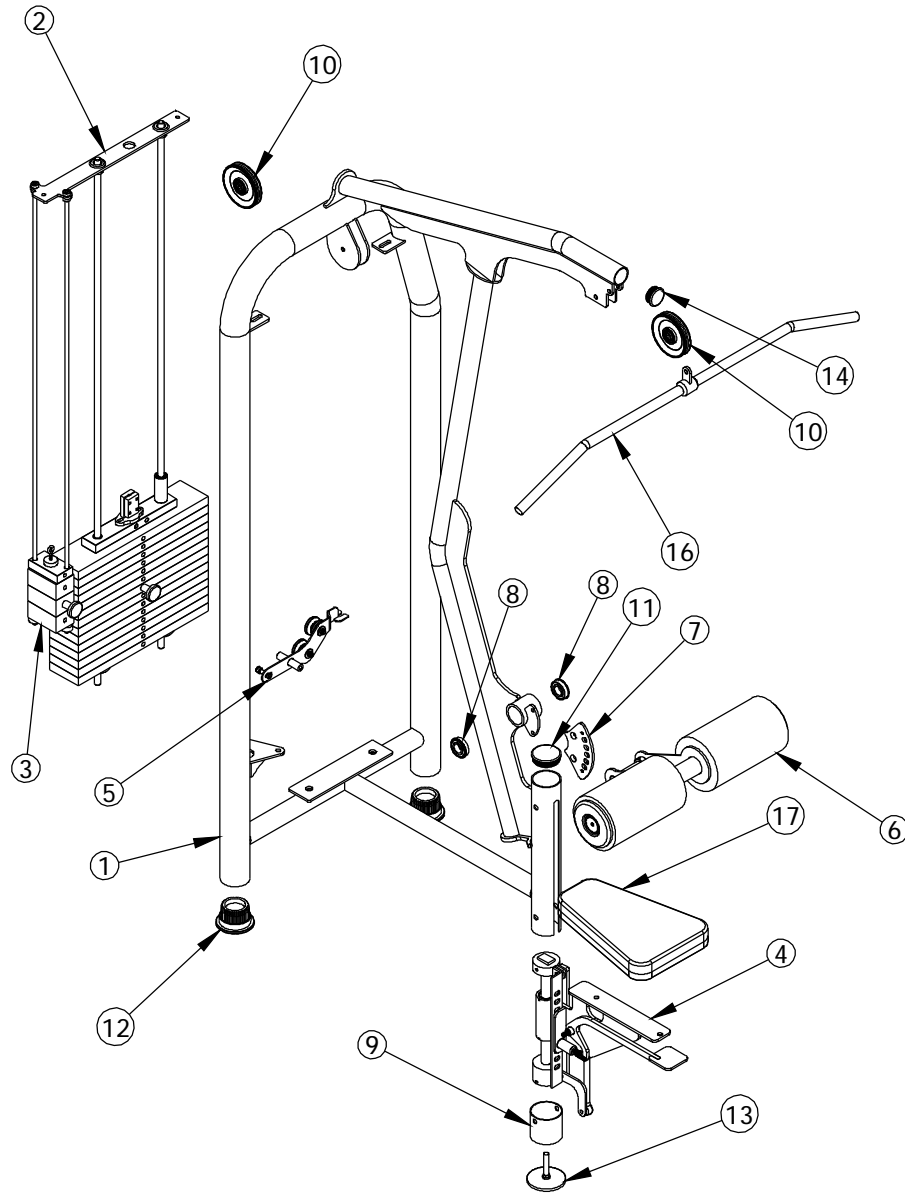
2201 12th. Avenue
S. Milwaukee, WI, 53172

TITLE: 2021 - LAT PULLDOWN

DATE: 08/13/04	PART NO. xxx-xxx	JOB NO. XXXXXXXX	REV: 1
-------------------	---------------------	---------------------	-----------

FILE LOCATION: C:\Cad Drawings\Solid Works\

1 OF 1



This document contains information proprietary to Magnum Fitness Systems. It is submitted in confidence and is to be used solely for the purpose for which it is furnished. This document and such information is not to be reproduced, transmitted, or used in whole or part without written authorization.

TOLERANCES: + 0.000"
- 1/16"

MAGNUM FITNESS SYSTEMS

2201 12th. Avenue
S. Milwaukee, WI, 53172

TITLE: 2021 - LAT PULLDOWN

UNLESS OTHERWISE SPECIFIED
DIMENSIONS ARE IN INCHES.

DRAWN BY:
RAD

DATE:
08/13/04

PART NO.
xxx-xxx

JOB NO.
XXXXXXXX

REV:
1

FILE LOCATION: C:\Cad Drawings\Solid Works\

1 OF 1