

This document contains information proprietary to Magnum Fitness Systems. It is submitted in confidence and is to be used solely for the purpose for which it is furnished. This document and such information is not to be reproduced, transmitted, or used in whole or part without written authorization.

TOLERANCES: + 0.000"
- 1/16"

UNLESS OTHERWISE SPECIFIED
DIMENSIONS ARE IN INCHES.

DRAWN BY:
J. Wenzel

MAGNUM FITNESS SYSTEMS
2201 12th. Avenue
S. Milwaukee, WI, 53172

TITLE: 2012 v 1.0
Tricep Extension

DATE:
07/02/04

PART NO.
XXX-XXX

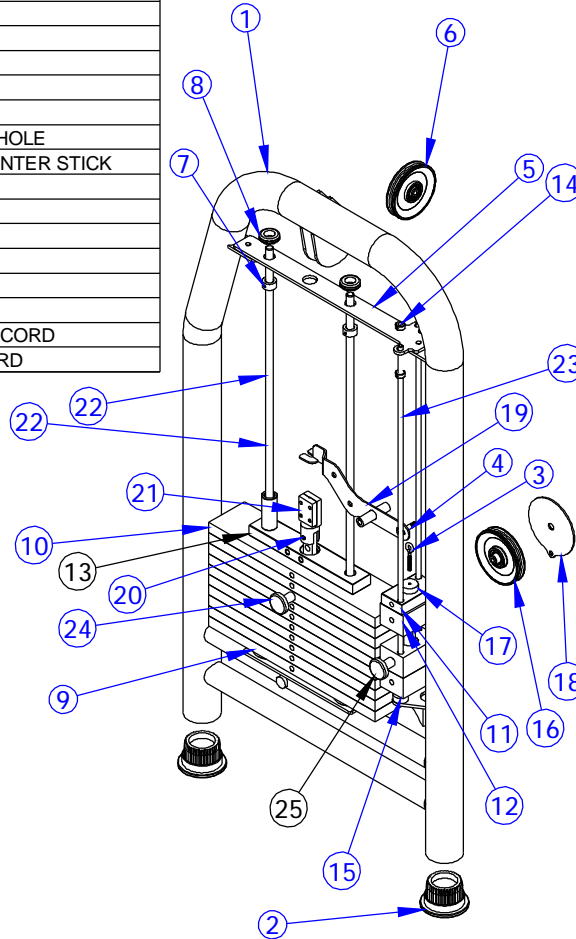
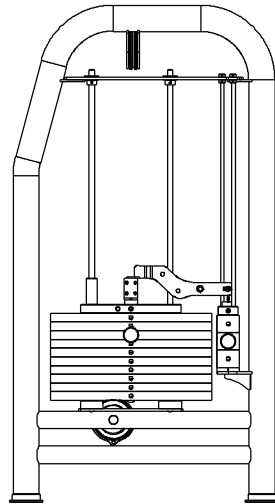
JOB NO.
XXXXXXXX

REV:
1

FILE LOCATION: C:\Cad Drawings\Solid Works\

1 OF 1

ITEM NO.	QTY.	PART NO.	DESCRIPTION
1	1	100-985	MAIN FRAME
2	2	850-056	3" FOOT
3	1	818-899	3/8" EYE BOLT - 2 1/2"
4	1	810-953	3/8" SHOULDER BOLT - 1"
5	1	500-963	1/4" PLASMA
6	1	853-303	4" CABLE PULLEY - 3/8" NARROW HOLE
7	2	852-610	5/8" SET COLLAR
8	2	858-005	5/8" RUBBER GROMMET
9	2	838-211	ROUND WEIGHT STACK BUMPER
10	10	300-410	1" x 4" F.S. - 18 1/2"
11	1	807-001	1" x 2 1/4" F.S. - 4"
12	3	300-413	2" x 4" F.S. - 2 9/16"
13	1	100-539	TOP WEIGHT PLATE
14	4	852-607	3/8" SHAFT COLLAR
15	2	858-251	1/2" RUBBER BUMPER
16	1	853-308	4" CABLE PULLEY - 3/8" HOLE
17	1	101-053	MINI WEIGHT STACK CENTER STICK
18	1	501-125	1/8" PLASMA
19	1	101-084	RIGHT BANANA
20	1	101-093	11 HOLE CENTER STICK
21	1	339-714	1/2" x 1 1/2" F.S. - 2 1/4"
22	2	200-384	5/8" GUIDE ROD - 41"
23	2	200-392	3/8" GUIDE ROD - 34 3/8"
24	1	852-007	SELECTOR PIN w/ 6 1/2" CORD
25	1	852-008	SELECTOR PIN w/ 4" CORD



This document contains information proprietary to Magnum Fitness Systems. It is submitted in confidence and is to be used solely for the purpose for which it is furnished. This document and such information is not to be reproduced, transmitted, or used in whole or part without written authorization.

TOLERANCES: + 0.000"
- 1/16"

UNLESS OTHERWISE SPECIFIED
DIMENSIONS ARE IN INCHES.

DRAWN BY:
Joshua Wenzel

MAGNUM FITNESS SYSTEMS

2201 12th. Avenue
S. Milwaukee, WI, 53172

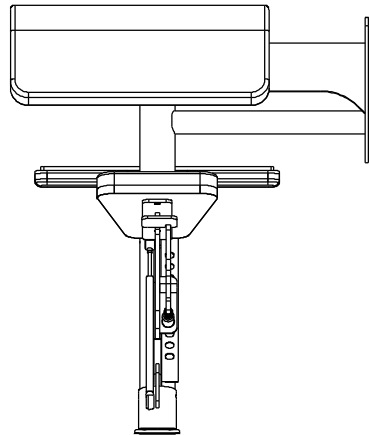
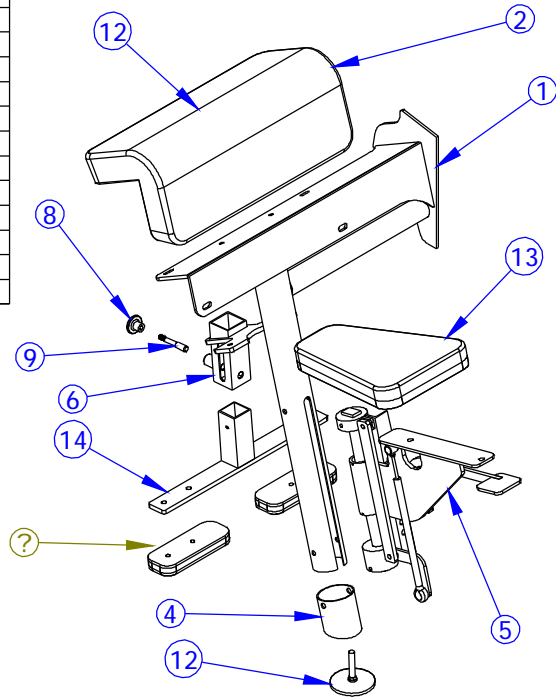
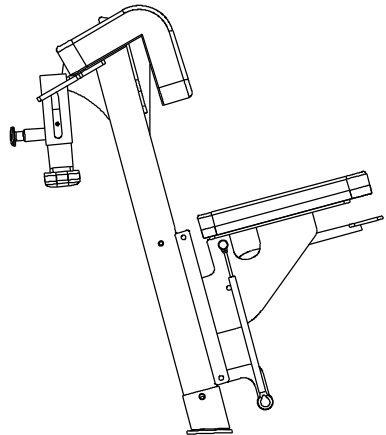
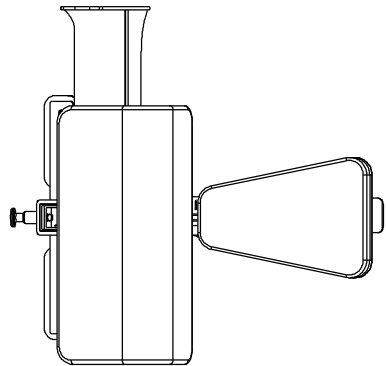
TITLE: 2012 v 1.0 MAIN FRAME

DATE: 05/12/04	PART NO. XXX-XXX	JOB NO. XXXXXXXX	REV: 1
-------------------	---------------------	---------------------	-----------

FILE LOCATION: C:\Cad Drawings\Solid Works\

1 OF 3

ITEM NO.	QTY.	PART NO.	DESCRIPTION
1	1	100-985	MAIN FRAME
2	1	900-036	ARM PAD
4	1	101-051	FOOT
5	1	101-103	LONG SEAT BOX (RIGHT)
6	1	101-062	KNEE HOLD DOWN
8	1	852-207	GOLD PULL KNOB
9	1	855-302	SPRING PIN w/ 5/32"
10	2	900-041	KNEE PAD
11	1	902-006	WEAR COVER
12	1	833-129	4" FOOT (LONG)
13	1	901-004	SEAT UPHOLSTERY
14	1	339-790	KNEE HOLD DOWN



This document contains information proprietary to Magnum Fitness Systems. It is submitted in confidence and is to be used solely for the purpose for which it is furnished. This document and such information is not to be reproduced, transmitted, or used in whole or part without written authorization.

TOLERANCES: + 0.000"
- 1/16"

UNLESS OTHERWISE SPECIFIED
DIMENSIONS ARE IN INCHES.

MAGNUM FITNESS SYSTEMS
2201 12th. Avenue
S. Milwaukee, WI, 53172

TITLE: 2012 v 1.0 USER SIDE

DRAWN BY:
Joshua Wenzel

DATE:
05/12/04

PART NO.
XXX-XXX

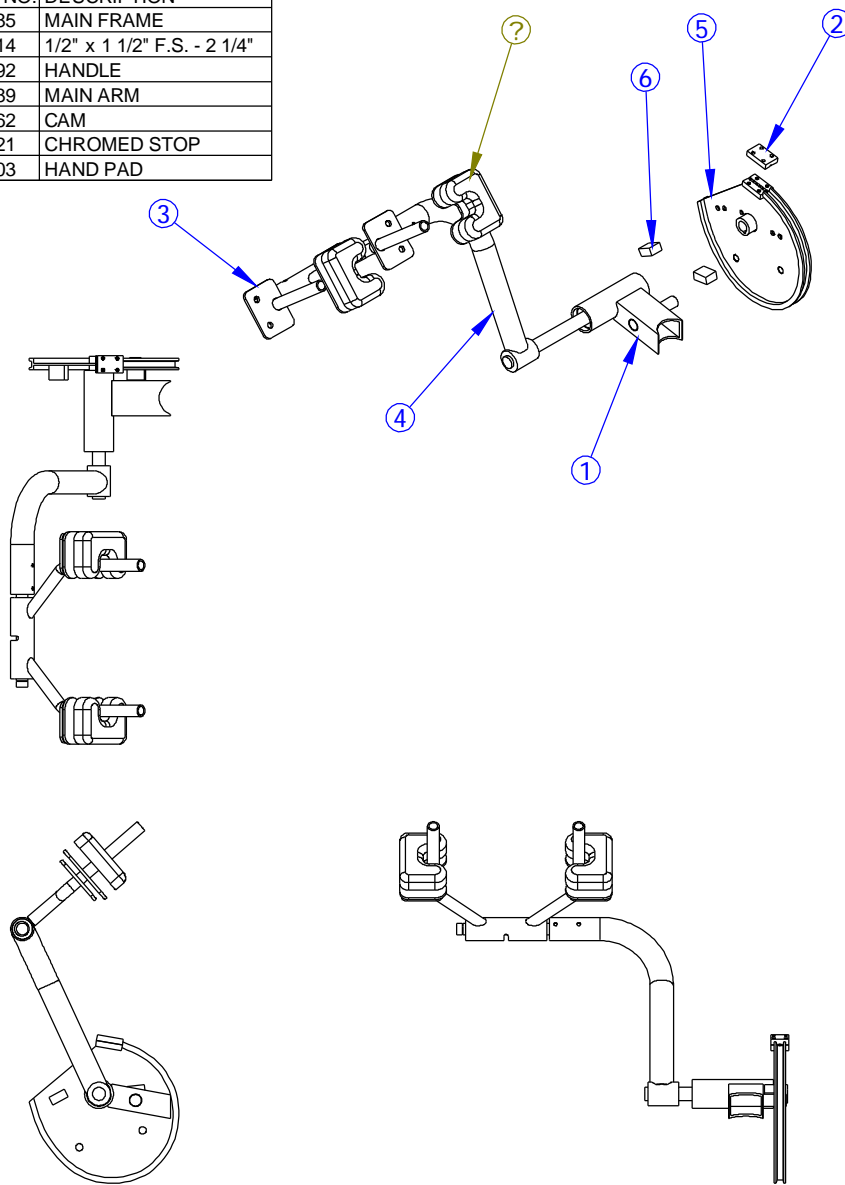
JOB NO.
XXXXXXXXX

REV:
1

FILE LOCATION: C:\Cad Drawings\Solid Works\

2 OF 3

ITEM NO.	QTY.	PART NO.	DESCRIPTION
1	1	100-985	MAIN FRAME
2	1	339-714	1/2" x 1 1/2" F.S. - 2 1/4"
3	1	100-992	HANDLE
4	1	100-989	MAIN ARM
5	1	100-962	CAM
6	2	339-021	CHROMED STOP
7	2	902-003	HAND PAD



This document contains information proprietary to Magnum Fitness Systems. It is submitted in confidence and is to be used solely for the purpose for which it is furnished. This document and such information is not to be reproduced, transmitted, or used in whole or part without written authorization.

TOLERANCES: + 0.000"
- 1/16"

UNLESS OTHERWISE SPECIFIED
DIMENSIONS ARE IN INCHES.

DRAWN BY:
Joshua Wenzel

MAGNUM FITNESS SYSTEMS

2201 12th. Avenue
S. Milwaukee, WI, 53172

TITLE: 2012 v 1.0 ARM

DATE: 05/12/04	PART NO. XXX-XXX	JOB NO. XXXXXXXX	REV: 1
-------------------	---------------------	---------------------	-----------

FILE LOCATION: C:\Cad Drawings\Solid Works\

3 OF 3