

This document contains information proprietary to Magnum Fitness Systems. It is submitted in confidence and is to be used solely for the purpose for which it is furnished. This document and such information is not to be reproduced, transmitted, or used in whole or part without written authorization.

TOLERANCES: + 0.000"
- 1/16"

**UNLESS OTHERWISE SPECIFIED
DIMENSIONS ARE IN INCHES.**

DRAWN BY:
J. Wenzel

MAGNUM FITNESS SYSTEMS
2201 12th. Avenue
S. Milwaukee, WI, 53172

TITLE: 2011 v 1.0
Bicep Arm Curl

DATE:
07/02/04

PART NO.:
XXX-XXX

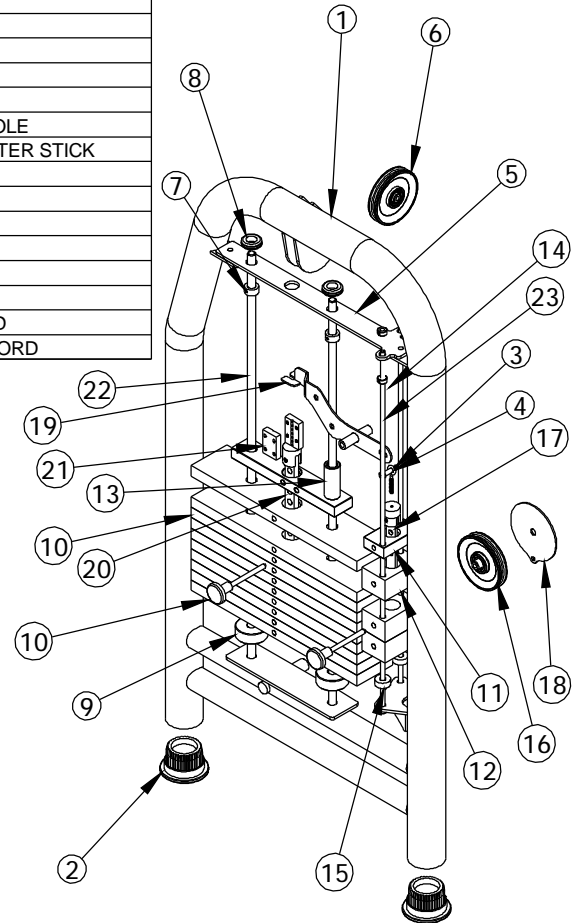
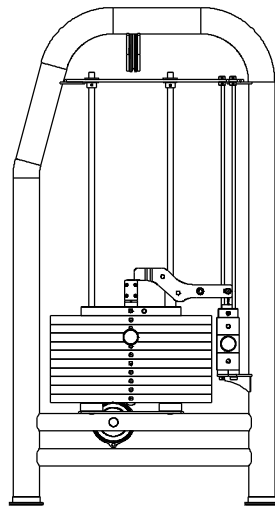
JOB NO.:
XXXXXXXX

REV.:
1

FILE LOCATION: C:\Cad Drawings\Solid Works\

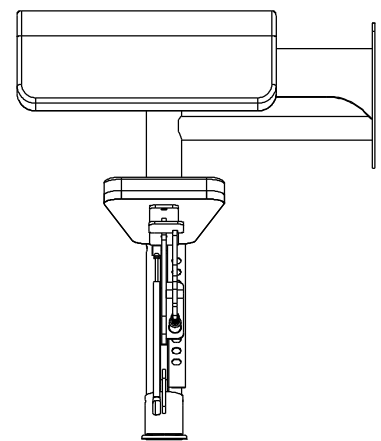
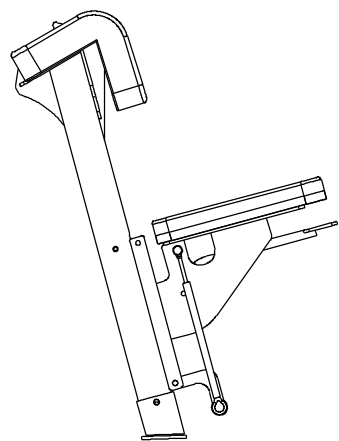
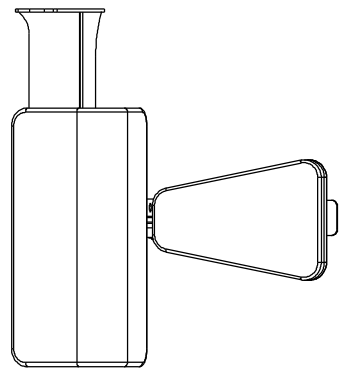
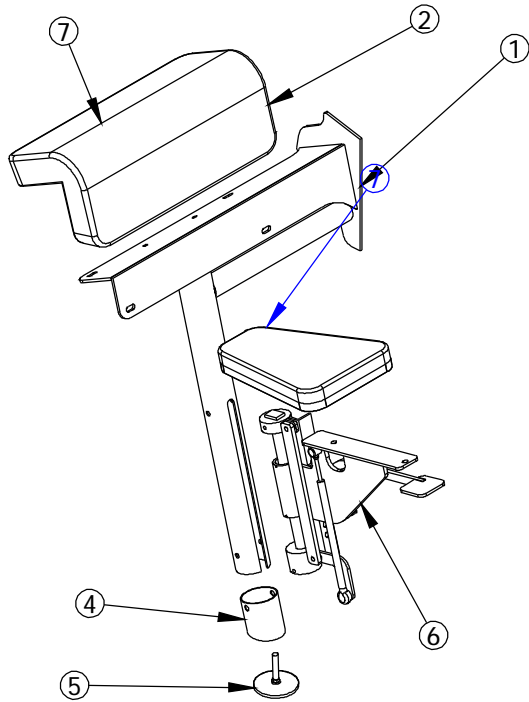
1 OF 4

ITEM NO.	QTY.	PART NO.	DESCRIPTION
1	1	100-985	MAIN FRAME
2	2	850-056	3" FOOT
3	1	818-899	3/8" EYE BOLT - 2 1/2"
4	1	810-953	3/8" SHOULDER BOLT - 1"
5	1	500-963	1/4" PLASMA
6	1	853-303	4" CABLE PULLEY - 3/8" NARROW HOLE
7	2	852-610	5/8" SET COLLAR
8	2	858-005	5/8" RUBBER GROMMET
9	2	838-211	ROUND WEIGHT STACK BUMPER
10	10	300-410	1" x 4" F.S. - 18 1/2"
11	1	807-001	1" x 2 1/4" F.S. - 4"
12	3	300-413	2" x 4" F.S. - 2 9/16"
13	1	100-539	TOP WEIGHT PLATE
14	6	852-607	3/8" SHAFT COLLAR
15	2	858-251	1/2" RUBBER BUMPER
16	1	853-308	4" CABLE PULLEY - 3/8" HOLE
17	1	101-053	MINI WEIGHT STACK CENTER STICK
18	1	501-125	1/8" PLASMA
19	1	101-084	RIGHT BANANA
20	1	101-093	11 HOLE CENTER STICK
21	1	339-714	1/2" x 1 1/2" F.S. - 2 1/4"
22	2	200-384	5/8" GUIDE ROD - 41"
23	2	200-392	3/8" GUIDE ROD - 34 3/8"
24	1	852-008	SELECTOR PIN w/ 4" CORD
25	1	852-007	SELECTOR PIN w/ 6 1/2" CORD



<p>This document contains information proprietary to Magnum Fitness Systems. It is submitted in confidence and is to be used solely for the purpose for which it is furnished. This document and such information is not to be reproduced, transmitted, or used in whole or part without written authorization.</p>	<p>TOLERANCES: + 0.000" - 1/16"</p>	<p>MAGNUM FITNESS SYSTEMS 2201 12th. Avenue S. Milwaukee, WI, 53172</p>		
	<p>UNLESS OTHERWISE SPECIFIED DIMENSIONS ARE IN INCHES.</p>	<p>TITLE: 2011 v 1.0 MAIN FRAME Bicep Arm Curl</p>		
<p>DRAWN BY: Joshua Wenzel</p>	<p>DATE: 05/12/04</p>	<p>PART NO. XXX-XXX</p>	<p>JOB NO. XXXXXXXXXX</p>	<p>REV: 1</p>
<p>FILE LOCATION: C:\Cad Drawings\Solid Works\</p>				<p>2 OF 4</p>

ITEM NO.	QTY.	PART NO.	DESCRIPTION
1	1	100-985	MAIN FRAME
2	1	900-036	ARM PAD
4	1	101-051	FOOT
5	1	833-129	4" FOOT (LONG)
6	1	101-103	LONG SEAT BOX (RIGHT)
7	1	901-004	SEAT UPHOLSTERY



This document contains information proprietary to Magnum Fitness Systems. It is submitted in confidence and is to be used solely for the purpose for which it is furnished. This document and such information is not to be reproduced, transmitted, or used in whole or part without written authorization.

TOLERANCES: + 0.000"
- 1/16"

UNLESS OTHERWISE SPECIFIED
DIMENSIONS ARE IN INCHES.

MAGNUM FITNESS SYSTEMS
2201 12th. Avenue
S. Milwaukee, WI, 53172

TITLE: 2011 v 1.0 USER SIDE

DRAWN BY:
Joshua Wenzel

DATE:
05/12/04

PART NO.
XXX-XXX

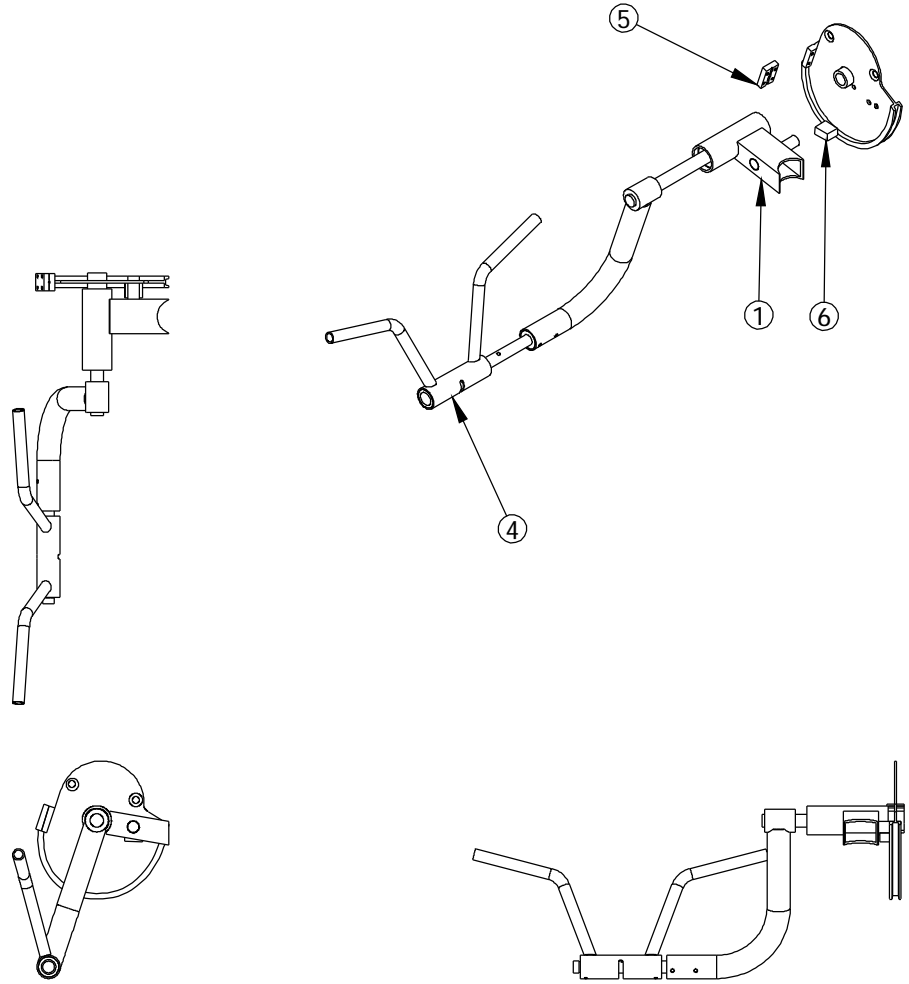
JOB NO.
XXXXXXXX

REV:
1

FILE LOCATION: C:\Cad Drawings\Solid Works\

3 OF 4

ITEM NO.	QTY.	PART NO.	DESCRIPTION
1	1	100-985	MAIN FRAME
2	1	100-988	MAIN ARM
3	1	100-961	CAM
4	1	100-991	HANDLE
5	1	339-714	1/2" x 1 1/2" F.S. - 2 1/4"
6	1	339-021	CHROMED STOP



This document contains information proprietary to Magnum Fitness Systems. It is submitted in confidence and is to be used solely for the purpose for which it is furnished. This document and such information is not to be reproduced, transmitted, or used in whole or part without written authorization.

TOLERANCES: + 0.000"
- 1/16"

UNLESS OTHERWISE SPECIFIED
DIMENSIONS ARE IN INCHES.

DRAWN BY:
Joshua Wenzel

MAGNUM FITNESS SYSTEMS
2201 12th. Avenue
S. Milwaukee, WI, 53172

TITLE: 2011 v 1.0 ARM

DATE:
05/12/04

PART NO.
XXX-XXX

JOB NO.
XXXXXXXXX

REV:
1

FILE LOCATION: C:\Cad Drawings\Solid Works\

4 OF 4