

This document contains information proprietary to Magnum Fitness Systems. It is submitted in confidence and is to be used solely for the purpose for which it is furnished. This document and such information is not to be reproduced, transmitted, or used in whole or part without written authorization.

TOLERANCES: + 0.000"
- 1/16"

MAGNUM FITNESS SYSTEMS
2201 12th. Avenue
S. Milwaukee, WI, 53172

TITLE: 2009 ASSEMBLY

UNLESS OTHERWISE SPECIFIED
DIMENSIONS ARE IN INCHES.

DRAWN BY:
RAD

DATE:
07/07/04

PART NO.
xxx-xxx

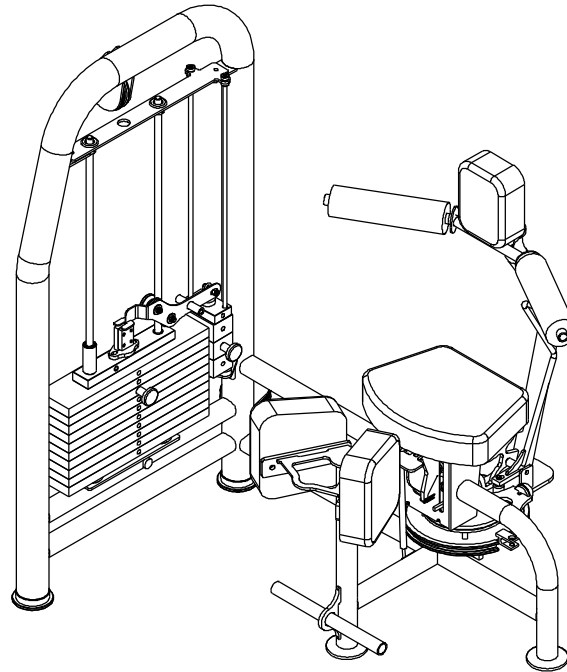
JOB NO.
XXXXXXXX

REV:
1

FILE LOCATION: C:\Cad Drawings\Solid Works\

2 OF 3

ITEM NO.	QTY.	PART NO.	DESCRIPTION
1	1	100-905	2009 MAIN FRAME
2	1	101-328	2009 MIAN ARM ASSEMBLY
3	1	101-123	SEAT ADJUSTMENT
4	1	500-689	10ga PLASMA
5	2	850-056	3" FOOT
6	2	833-129	4" FOOT (LONG)
7	1	2009-05	20# SHOCK
8	1	900-053	KNEE UPHOLSTRY
9	1	999-053	KNEE UPHOLSTRY
10	1	900-054	SEAT UPHOLSTRY
11	1	901-022	UPHOLSTRY
12	2	902-008	3"OD x 11" UPHOLSTRY
13	2	653-303	4" CABLE PULLEY - 3/8" NARROW HOLE
14	1	853-300	4" CABLE PULLEY - 1/2" NARROW HOLE
15	1	501-125	1/8" PLASMA
16	2	638-223	HALF-ROUND RUBBER BUMPER
17	1	101-153	WEIGHT STACK ASSEMBLY
18	1	101-154	MINI-WEIGHT STACK
19	1	101-149	RIGHT BANANA



This document contains information proprietary to Magnum Fitness Systems. It is submitted in confidence and is to be used solely for the purpose for which it is furnished. This document and such information is not to be reproduced, transmitted, or used in whole or part without written authorization.

TOLERANCES: + 0.000"
- 1/16"

UNLESS OTHERWISE SPECIFIED
DIMENSIONS ARE IN INCHES.

DRAWN BY:
RAD

MAGNUM FITNESS SYSTEMS

2201 12th. Avenue
S. Milwaukee, WI, 53172

TITLE: 2009 - ROTARY TORSO

DATE:
07/07/04

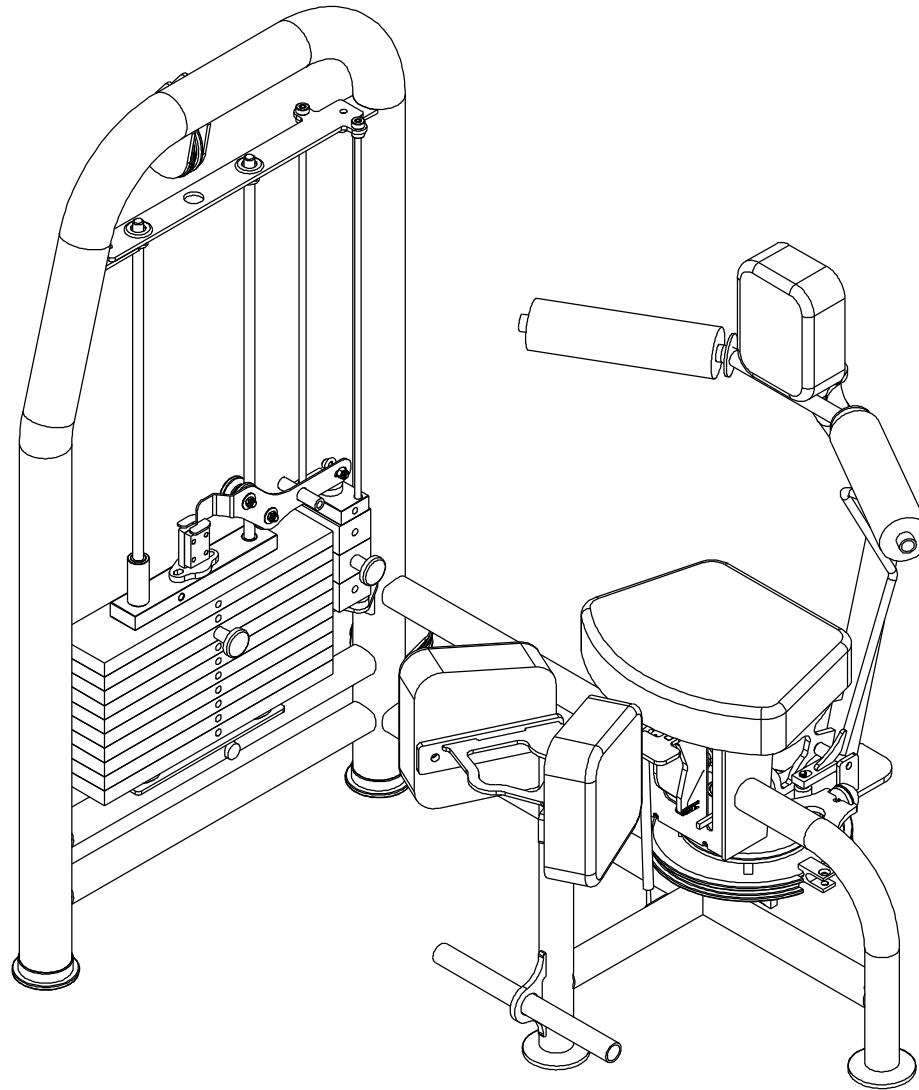
PART NO.
xxx-xxx

JOB NO.
XXXXXXXX

REV:
1

FILE LOCATION: C:\Cad Drawings\Solid Works\

3 OF 3



This document contains information proprietary to Magnum Fitness Systems. It is submitted in confidence and is to be used solely for the purpose for which it is furnished. This document and such information is not to be reproduced, transmitted, or used in whole or part without written authorization.

TOLERANCES: + 0.000"
- 1/16"

UNLESS OTHERWISE SPECIFIED
DIMENSIONS ARE IN INCHES.

DRAWN BY:
R. Degenhardt

MAGNUM FITNESS SYSTEMS

2201 12th. Avenue
S. Milwaukee, WI, 53172

TITLE: 2009 - ROTARY TORSO

DATE:
07/07/04

PART NO.
xxx-xxx

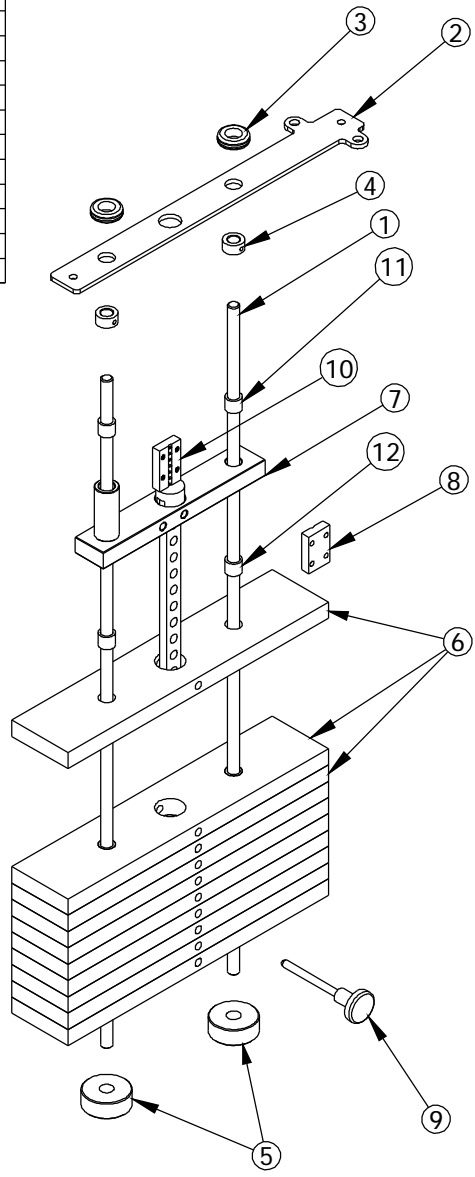
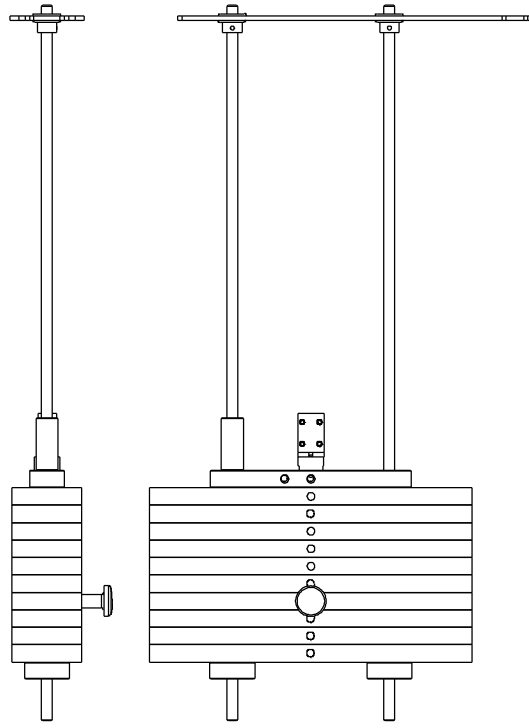
JOB NO.
XXXXXXXX

REV:
1

FILE LOCATION: C:\Cad Drawings\Solid Works\

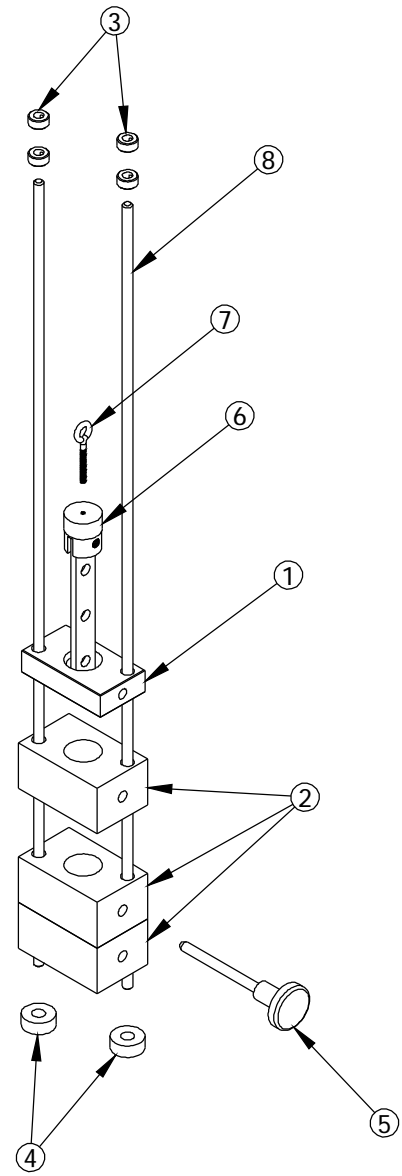
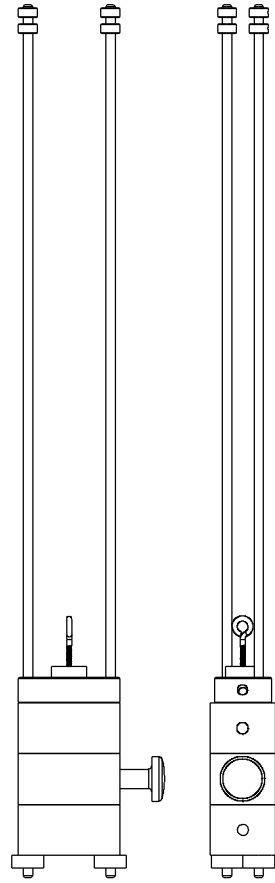
1 OF 3

ITEM NO.	QTY.	PART NO.	DESCRIPTION
1	2	200-384	5/8" GUIDE ROD - 41"
2	1	500-963	1/4" PLASMA
3	2	858-005	5/8" RUBBER GROMMET
4	2	852-610	5/8" SET COLLAR
5	2	838-211	ROUND WEIGHT STACK BUMPER
6	10	300-410	1" x 4" F.S. - 18 1/2"
7	1	100-539	TOP WEIGHT PLATE
8	1	339-714	1/2" x 1 1/2" F.S. - 2 1/4"
9	1	852-007	SELECTOR PIN w/ 6 1/2" CORD
10	1	101-093	11 HOLE CENTER STICK
11	2	849-001	7/8"OD x 5/8"ID x 3/4" BUSHING
12	20	849-002	7/8"OD x .640"ID x 3/4" BUSHING



<p>This document contains information proprietary to Magnum Fitness Systems. It is submitted in confidence and is to be used solely for the purpose for which it is furnished. This document and such information is not to be reproduced, transmitted, or used in whole or part without written authorization.</p>	<p>TOLERANCES: + 0.000" - 1/16"</p>	<p>MAGNUM FITNESS SYSTEMS 2201 12th. Avenue S. Milwaukee, WI, 53172</p>		
	<p>UNLESS OTHERWISE SPECIFIED DIMENSIONS ARE IN INCHES.</p>	<p>TITLE: 2009 WEIGHT STACK</p>		
<p>DRAWN BY: RAD</p>	<p>DATE: 07/06/04</p>	<p>PART NO. xxx-xxx</p>	<p>JOB NO. XXXXXXXX</p>	<p>REV: 1</p>
<p>FILE LOCATION: C:\Cad Drawings\Solid Works\</p>				<p>1 OF 1</p>

ITEM NO.	QTY.	PART NO.	DESCRIPTION
1	1	807-001	1" x 2 1/4" F.S. - 4"
2	3	300-413	2" x 4" F.S. - 2 9/16"
3	4	852-607	3/8" SHAFT COLLAR
4	2	858-251	1/2" RUBBER BUMPER
5	1	852-008	SELECTOR PIN w/ 4" CORD
6	1	101-053	MINI WEIGHT STACK CENTER STICK
7	1	818-899	3/8" EYE BOLT - 2 1/2"
8	2	200-392	3/8" GUIDE ROD - 34 3/8"



This document contains information proprietary to Magnum Fitness Systems. It is submitted in confidence and is to be used solely for the purpose for which it is furnished. This document and such information is not to be reproduced, transmitted, or used in whole or part without written authorization.

TOLERANCES: + 0.000"
- 1/16"

UNLESS OTHERWISE SPECIFIED
DIMENSIONS ARE IN INCHES.

DRAWN BY:
RAD

MAGNUM FITNESS SYSTEMS
2201 12th. Avenue
S. Milwaukee, WI, 53172

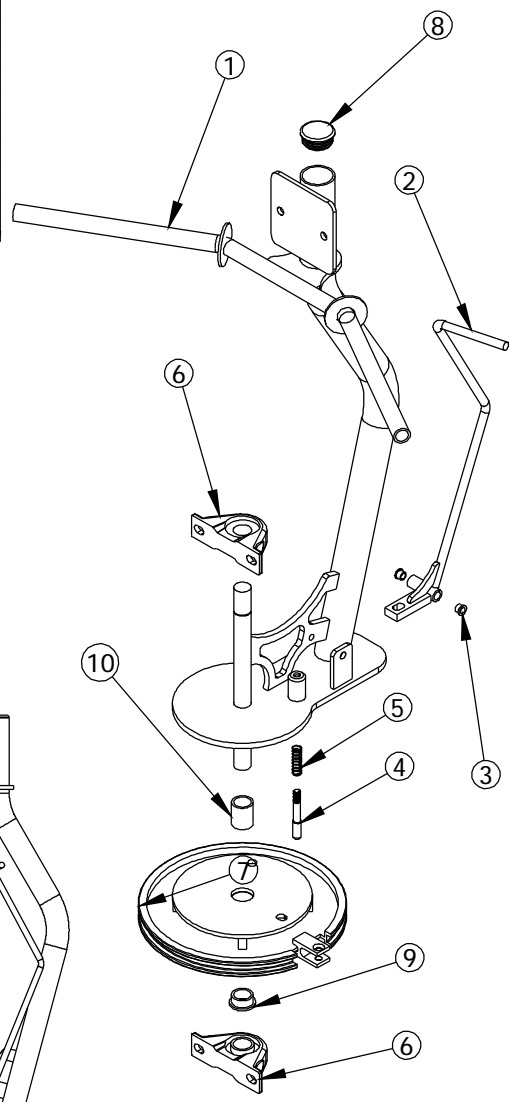
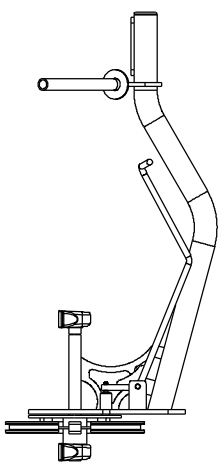
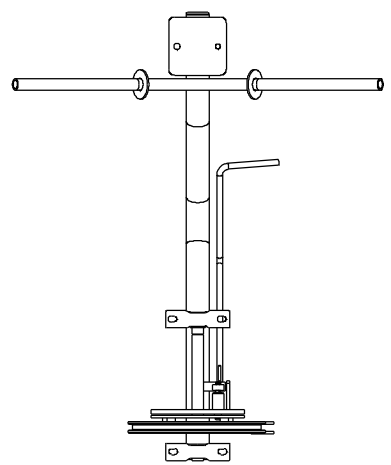
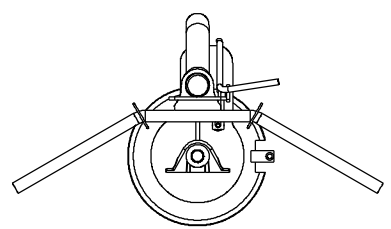
TITLE: 2009 MINI STACK

DATE: 07/06/04	PART NO. xxx-xxx	JOB NO. XXXXXXXX	REV: 1
-------------------	---------------------	---------------------	-----------

FILE LOCATION: C:\Cad Drawings\Solid Works\

1 OF 1

ITEM NO.	QTY.	PART NO.	DESCRIPTION
1	1	100-913	2009 MAIN ARM
2	1	100-911	ADJUSTMENT HANDLE
3	2	851-552	3/8" FLANGE BUSHING - 3/8"
4	1	855-302	SPRING PIN w/ 5/32"
5	1	852-807	SPRING
6	2	851-317	1" PILLOW BLOCK
7	1	100-274	CAM ASSEMBLY
8	1	850-044	2" ROUND END CAP
9	1	851-518	1 1/4" BRASS BUSHING
10	1	851-515	1"ID x 1 1/4"OD x 1 1/2" BUSHING



This document contains information proprietary to Magnum Fitness Systems. It is submitted in confidence and is to be used solely for the purpose for which it is furnished. This document and such information is not to be reproduced, transmitted, or used in whole or part without written authorization.

TOLERANCES: + 0.000"
- 1/16"

UNLESS OTHERWISE SPECIFIED
DIMENSIONS ARE IN INCHES.

DRAWN BY:
RAD

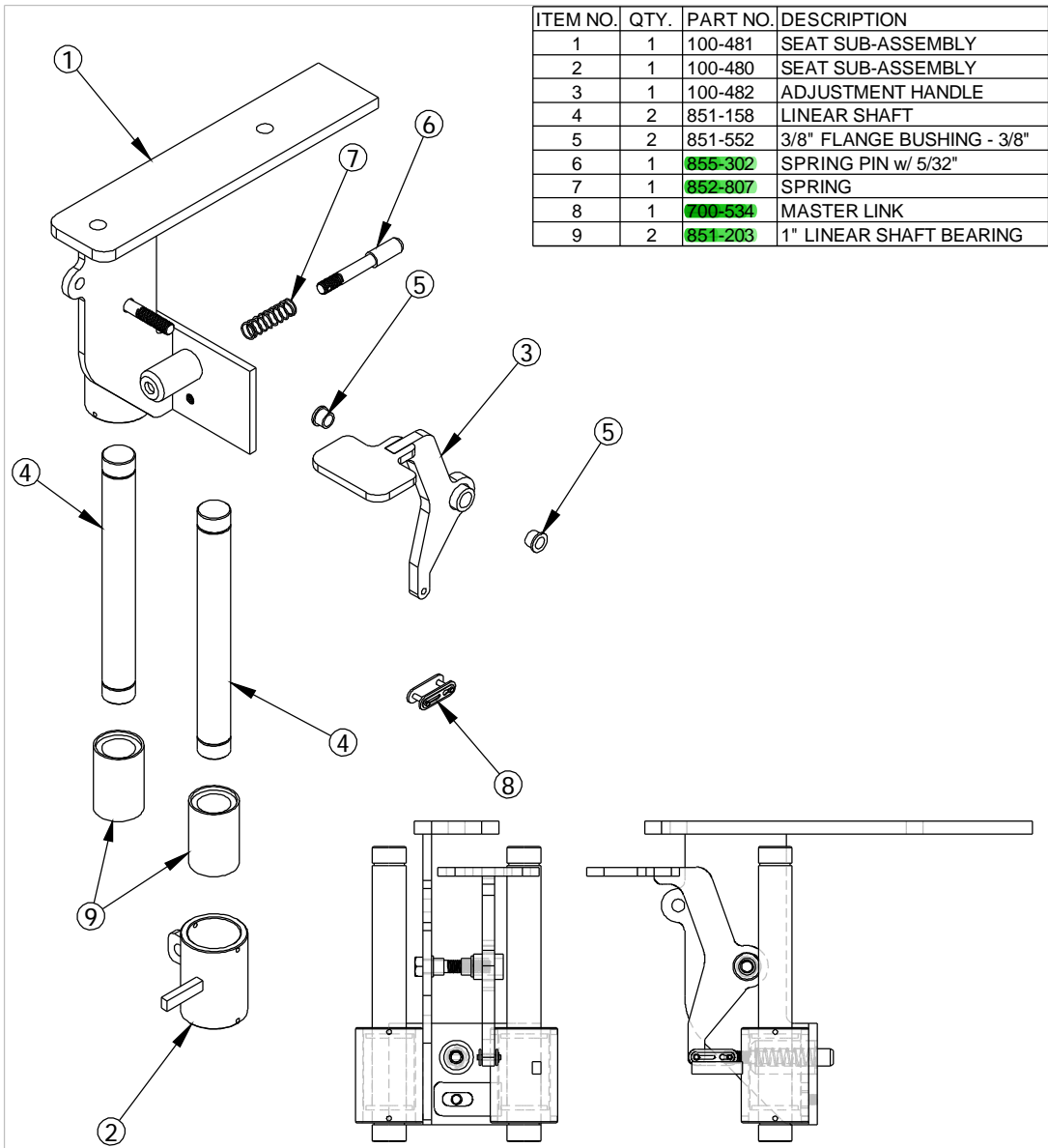
MAGNUM FITNESS SYSTEMS
2201 12th. Avenue
S. Milwaukee, WI, 53172

TITLE: 2009 MAIN ARM

DATE: 07/06/04	PART NO. xxx-xxx	JOB NO. XXXXXXXX	REV: 1
-------------------	---------------------	---------------------	-----------

FILE LOCATION: C:\Cad Drawings\Solid Works\

1 OF 1



ITEM NO.	QTY.	PART NO.	DESCRIPTION
1	1	100-481	SEAT SUB-ASSEMBLY
2	1	100-480	SEAT SUB-ASSEMBLY
3	1	100-482	ADJUSTMENT HANDLE
4	2	851-158	LINEAR SHAFT
5	2	851-552	3/8" FLANGE BUSHING - 3/8"
6	1	855-302	SPRING PIN w/ 5/32"
7	1	852-807	SPRING
8	1	700-534	MASTER LINK
9	2	851-203	1" LINEAR SHAFT BEARING

This document contains information proprietary to Magnum Fitness Systems. It is submitted in confidence and is to be used solely for the purpose for which it is furnished. This document and such information is not to be reproduced, transmitted, or used in whole or part without written authorization.

TOLERANCES: + 0.000"
- 1/16"

UNLESS OTHERWISE SPECIFIED
DIMENSIONS ARE IN INCHES.

MAGNUM FITNESS SYSTEMS
2201 12th. Avenue
S. Milwaukee, WI, 53172

TITLE: SEAT ASSEMBLY
1009, 2009

DRAWN BY:
RAD

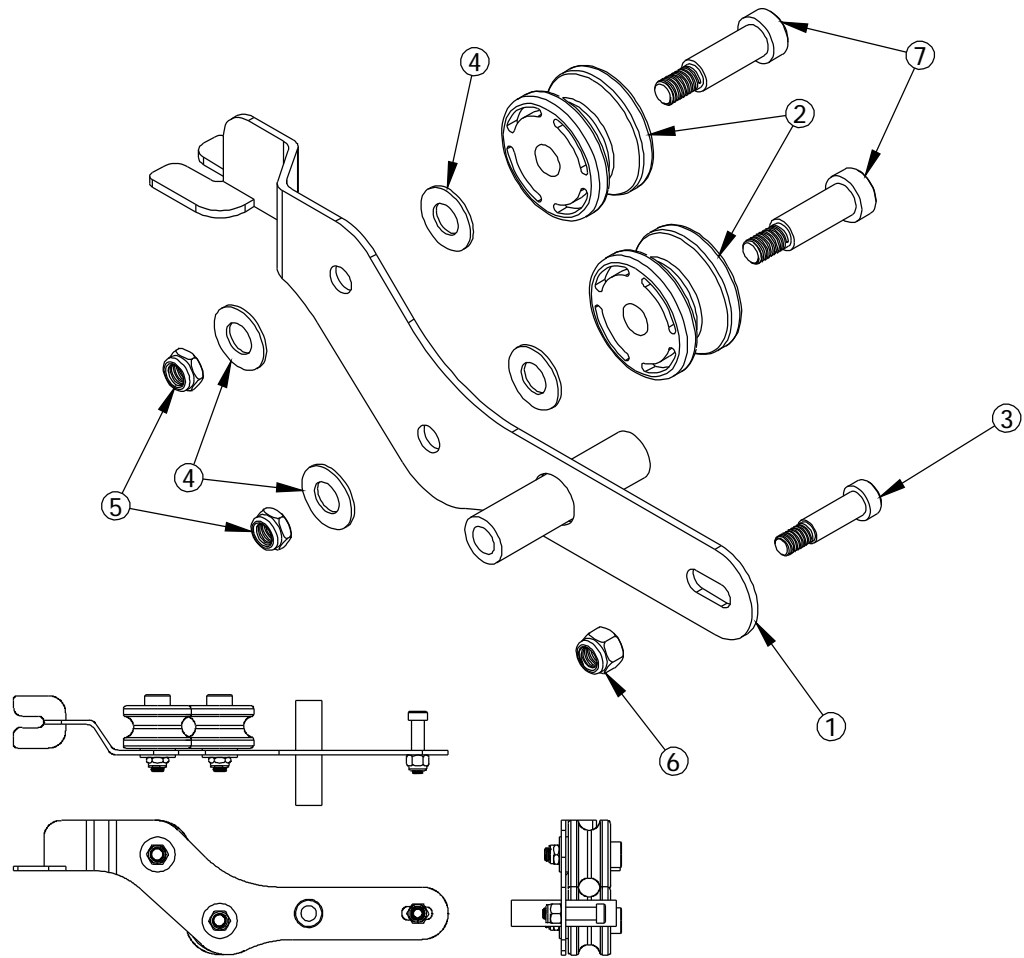
DATE:
07/07/04

PART NO.
xxx-xxx

JOB NO.
XXXXXXXX

REV:
1

ITEM NO.	QTY.	PART NO.	DESCRIPTION
1	1	101-084	RIGHT BANANA
2	2	853-314	ROLLER w/ BEARING
3	1	810-953	3/8" SHOULDER BOLT - 1"
4	4	818-008	1/2" FLAT WASHER
5	2	817-306	3/8"-16 JAM NUT
6	1	817-406	3/8" NUT
7	2	810-954	1/2" x 1 1/4" SHOULDER BOLT



This document contains information proprietary to Magnum Fitness Systems. It is submitted in confidence and is to be used solely for the purpose for which it is furnished. This document and such information is not to be reproduced, transmitted, or used in whole or part without written authorization.

TOLERANCES: + 0.000"
- 1/16"

UNLESS OTHERWISE SPECIFIED
DIMENSIONS ARE IN INCHES.

DRAWN BY:
RAD

MAGNUM FITNESS SYSTEMS
2201 12th. Avenue
S. Milwaukee, WI, 53172

TITLE: BANANA ASSEMBLY (RIGHT)

DATE: 07/06/04	PART NO. xxx-xxx	JOB NO. XXXXXXXX	REV: 1
-------------------	---------------------	---------------------	-----------

FILE LOCATION: C:\Cad Drawings\Solid Works\

1 OF 1