

This document contains information proprietary to Magnum Fitness Systems. It is submitted in confidence and is to be used solely for the purpose for which it is furnished. This document and such information is not to be reproduced, transmitted, or used in whole or part without written authorization.

TOLERANCES: + 0.000"  
- 1/16"

UNLESS OTHERWISE SPECIFIED  
DIMENSIONS ARE IN INCHES.

DRAWN BY:  
R. Degenhardt

**MAGNUM FITNESS SYSTEMS**

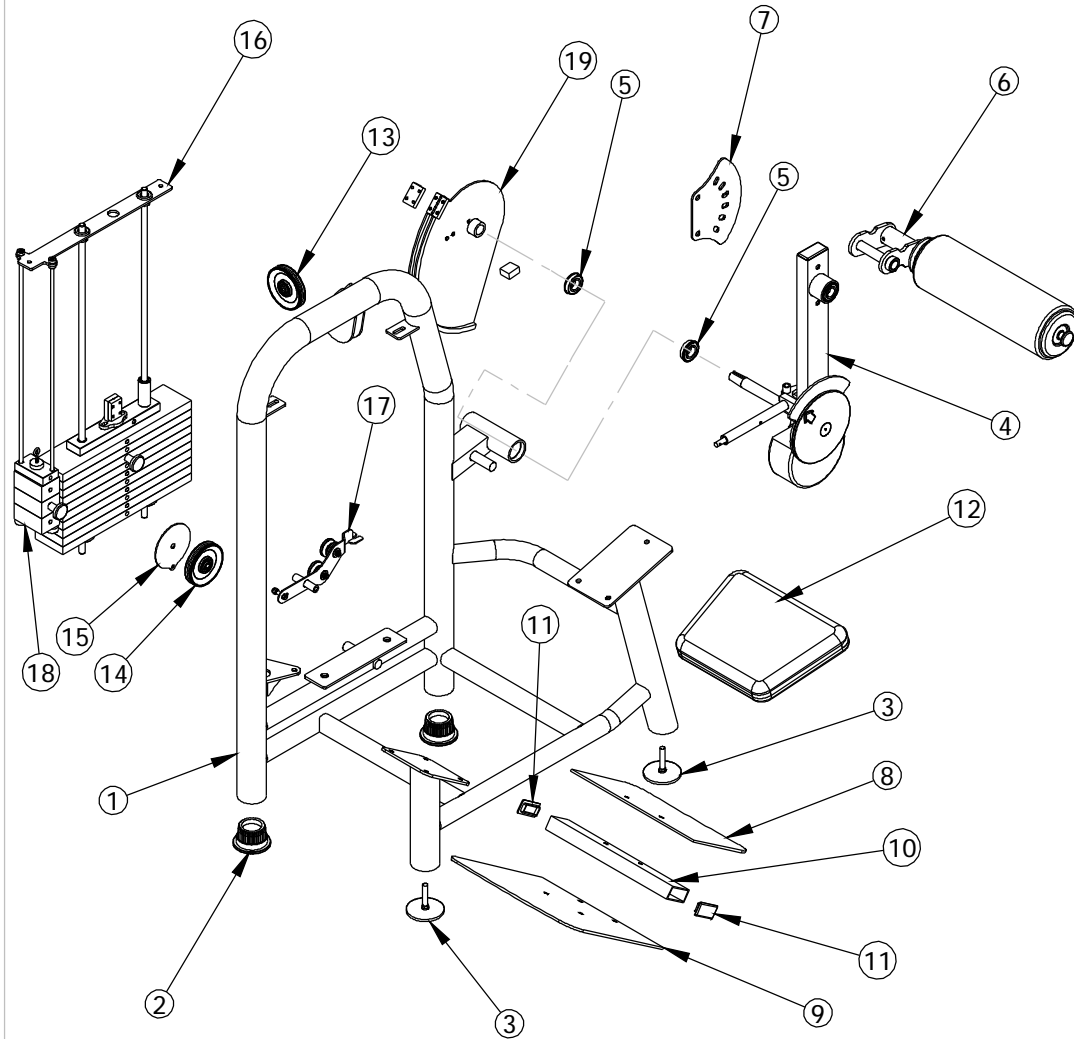
2201 12th. Avenue  
S. Milwaukee, WI, 53172

TITLE: 2008 - LOWER BACK

DATE: 07/22/04	PART NO. xxx-xxx	JOB NO. XXXXXXXX	REV: 1
-------------------	---------------------	---------------------	-----------

FILE LOCATION: C:\Cad Drawings\Solid Works\

1 OF 1



This document contains information proprietary to Magnum Fitness Systems. It is submitted in confidence and is to be used solely for the purpose for which it is furnished. This document and such information is not to be reproduced, transmitted, or used in whole or part without written authorization.

TOLERANCES: + 0.000"  
- 1/16"

**MAGNUM FITNESS SYSTEMS**

2201 12th. Avenue  
S. Milwaukee, WI, 53172

UNLESS OTHERWISE SPECIFIED  
DIMENSIONS ARE IN INCHES.

TITLE: 2008 - LOWER BACK

DRAWN BY:  
RAD

DATE:  
07/22/04

PART NO.  
xxx-xxx

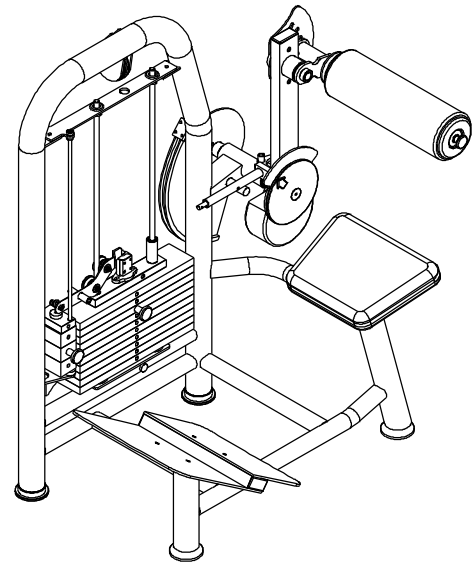
JOB NO.  
XXXXXXXX

REV:  
1

FILE LOCATION: C:\Cad Drawings\Solid Works\

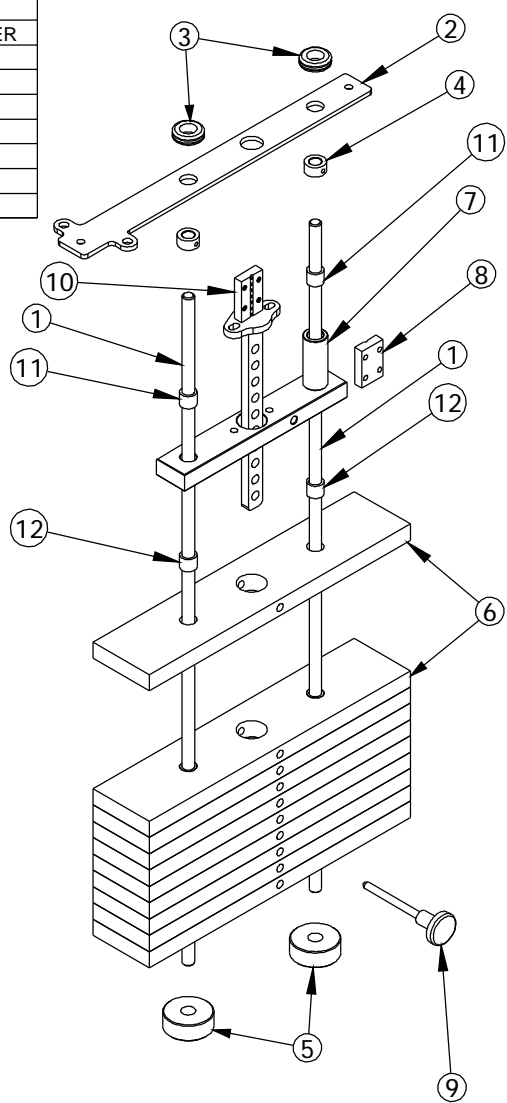
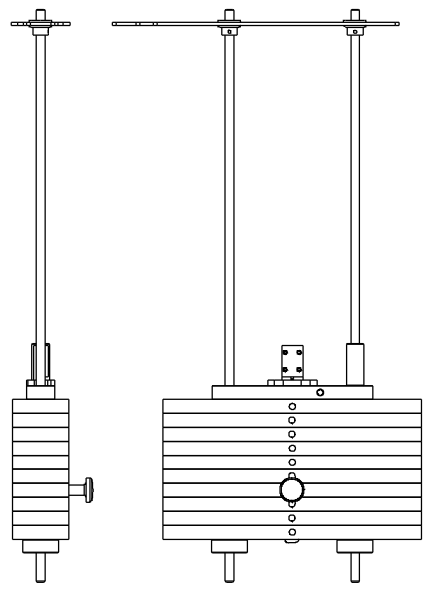
1 OF 1

ITEM NO.	QTY.	PART NO.	DESCRIPTION
1	1	101-049	2008 SUB-ASSEMBLY
2	2	850-056	3" FOOT
3	2	833-129	4" FOOT (LONG)
4	1	101-326	2008 HAMMER
5	2	851-420	FLANGE BEARING - 1 1/8"
6	1	101-327	ARM PAD ASSEMBLY
7	1	339-968	3/16" PLASMA - CHROME
8	1	501-228	3/16" DIAMOND PLATE
9	1	501-227	3/16" DIAMOND PLATE
10	1	401-501	1 1/2" x 3" TUBE - 17 1/2"
11	2	850-011	1 1/2" x 3" END CAP
12	1	900-046	SEAT UPHOLSTRY
13	1	853-303	4" CABLE PULLEY - 3/8" NARROW HOLE
14	1	853-300	4" CABLE PULLEY - 1/2" NARROW HOLE
15	1	501-125	1/8" PLASMA
16	1	101-314	WEIGHT STACK ASSEMBLY
17	1	101-148	LEFT BANANA ASSEMBLY
18	1	101-154	MINI-WEIGHT STACK
19	1	101-023	CAM SUB-ASSEMBLY
20	1	339-714	1/2" x 1 1/2" F.S. - 2 1/4"
21	1	339-021	CHROMED STOP



<p>This document contains information proprietary to Magnum Fitness Systems. It is submitted in confidence and is to be used solely for the purpose for which it is furnished. This document and such information is not to be reproduced, transmitted, or used in whole or part without written authorization.</p>	<p><b>TOLERANCES:</b> + 0.000" - 1/16"</p>	<p><b>MAGNUM FITNESS SYSTEMS</b> 2201 12th. Avenue S. Milwaukee, WI, 53172</p>		
	<p>UNLESS OTHERWISE SPECIFIED DIMENSIONS ARE IN INCHES.</p>	<p><b>TITLE: 2008 LOWER BACK</b></p>		
<p>DRAWN BY: <b>RAD</b></p>	<p>DATE: 07/22/04</p>	<p>PART NO. xxx-xxx</p>	<p>JOB NO. XXXXXXXX</p>	<p>REV: 1</p>
<p>FILE LOCATION: C:\Cad Drawings\Solid Works\</p>				<p>1 OF 1</p>

ITEM NO.	QTY.	PART NO.	DESCRIPTION
1	2	200-384	5/8" GUIDE ROD - 41"
2	1	500-963	1/4" PLASMA
3	2	858-005	5/8" RUBBER GROMMET
4	2	852-610	5/8" SET COLLAR
5	2	838-211	ROUND WEIGHT STACK BUMPER
6	10	300-410	1" x 4" F.S. - 18 1/2"
7	1	101-129	TOP WEIGHT PLATE
8	1	339-714	1/2" x 1 1/2" F.S. - 2 1/4"
9	1	852-007	SELECTOR PIN w/ 6 1/2" CORD
10	1	101-126	CENTER STICK - 10
11	2	849-001	7/8"OD x 5/8"ID x 3/4" BUSHING
12	20	849-002	7/8"OD x .640"ID x 3/4" BUSHING



This document contains information proprietary to Magnum Fitness Systems. It is submitted in confidence and is to be used solely for the purpose for which it is furnished. This document and such information is not to be reproduced, transmitted, or used in whole or part without written authorization.

TOLERANCES: + 0.000"  
- 1/16"

UNLESS OTHERWISE SPECIFIED  
DIMENSIONS ARE IN INCHES.

DRAWN BY:  
RAD

**MAGNUM FITNESS SYSTEMS**  
2201 12th. Avenue  
S. Milwaukee, WI, 53172

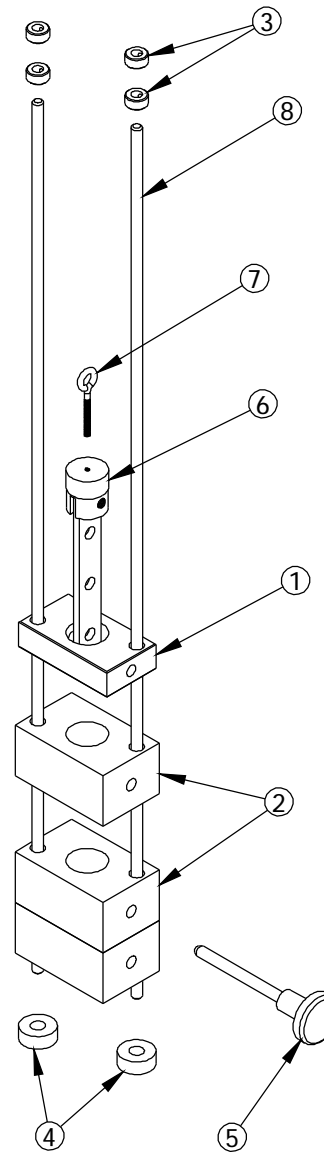
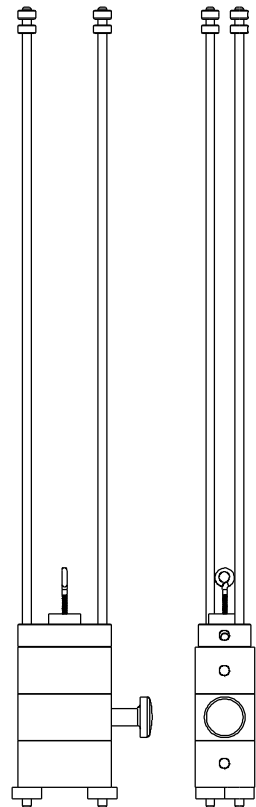
TITLE: 2008 WEIGHT STACK

DATE: 07/01/04	PART NO. xxx-xxx	JOB NO. XXXXXXXX	REV: 1
-------------------	---------------------	---------------------	-----------

FILE LOCATION: C:\Cad Drawings\Solid Works\

1 OF 1

ITEM NO.	QTY.	PART NO.	DESCRIPTION
1	1	807-001	1" x 2 1/4" F.S. - 4"
2	3	300-413	2" x 4" F.S. - 2 9/16"
3	4	852-607	3/8" SHAFT COLLAR
4	2	858-251	1/2" RUBBER BUMPER
5	1	852-008	SELECTOR PIN w/ 4" CORD
6	1	101-053	MINI WEIGHT STACK CENTER STICK
7	1	818-899	3/8" EYE BOLT - 2 1/2"
8	2	200-392	3/8" GUIDE ROD - 34 3/8"



This document contains information proprietary to Magnum Fitness Systems. It is submitted in confidence and is to be used solely for the purpose for which it is furnished. This document and such information is not to be reproduced, transmitted, or used in whole or part without written authorization.

TOLERANCES: + 0.000"  
- 1/16"

UNLESS OTHERWISE SPECIFIED  
DIMENSIONS ARE IN INCHES.

DRAWN BY:  
RAD

**MAGNUM FITNESS SYSTEMS**  
2201 12th. Avenue  
S. Milwaukee, WI, 53172

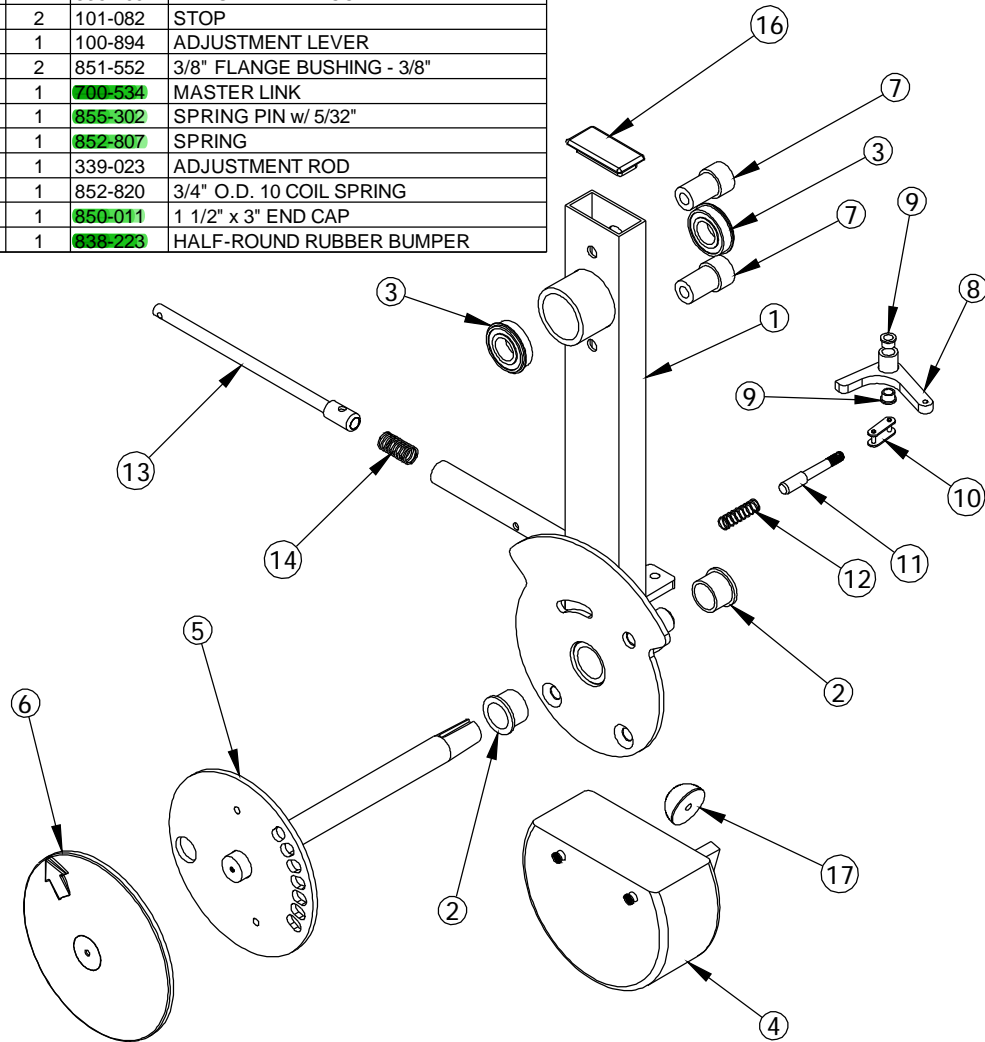
TITLE: 2008 MINI WEIGHT STACK

DATE: 07/16/04	PART NO. xxx-xxx	JOB NO. XXXXXXXX	REV: 1
-------------------	---------------------	---------------------	-----------

FILE LOCATION: C:\Cad Drawings\Solid Works\

1 OF 1

ITEM NO.	QTY.	PART NO.	DESCRIPTION
1	1	101-045	2008 SUB-ASSEMBLY
2	2	851-453	1.127ID x 1.377OD x 1" BRASS BUSHING
3	2	851-416	FLANGE BEARING - 1"
4	1	101-022	COUNTER WEIGHT
5	1	100-893	ADJUSTER PLATE
6	1	836-265	RANGE LIMITER COVER
7	2	101-082	STOP
8	1	100-894	ADJUSTMENT LEVER
9	2	851-552	3/8" FLANGE BUSHING - 3/8"
10	1	700-534	MASTER LINK
11	1	855-302	SPRING PIN w/ 5/32"
12	1	852-807	SPRING
13	1	339-023	ADJUSTMENT ROD
14	1	852-820	3/4" O.D. 10 COIL SPRING
16	1	850-011	1 1/2" x 3" END CAP
17	1	838-223	HALF-ROUND RUBBER BUMPER



This document contains information proprietary to Magnum Fitness Systems. It is submitted in confidence and is to be used solely for the purpose for which it is furnished. This document and such information is not to be reproduced, transmitted, or used in whole or part without written authorization.

TOLERANCES: + 0.000"  
- 1/16"

UNLESS OTHERWISE SPECIFIED  
DIMENSIONS ARE IN INCHES.

DRAWN BY:  
RAD

**MAGNUM FITNESS SYSTEMS**

2201 12th. Avenue  
S. Milwaukee, WI, 53172

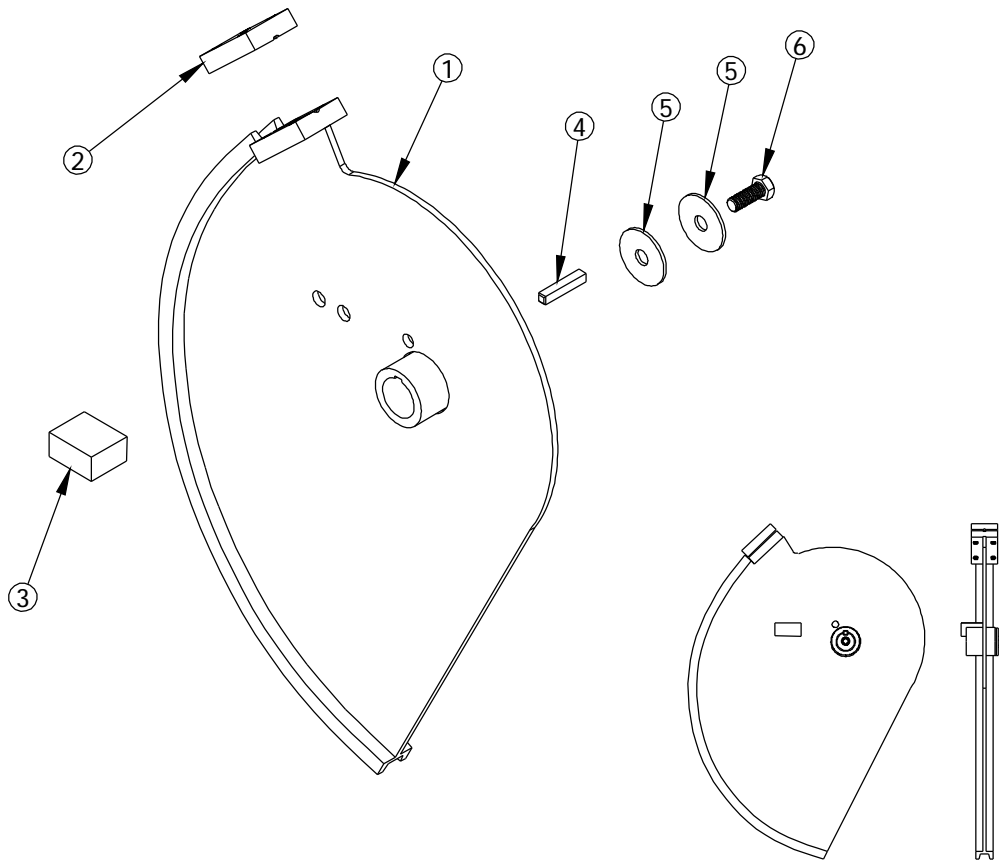
TITLE: 2008 HAMMER ASSEMBLY

DATE: 07/21/04	PART NO. xxx-xxx	JOB NO. XXXXXXXX	REV: 1
-------------------	---------------------	---------------------	-----------

FILE LOCATION: C:\Cad Drawings\Solid Works\

1 OF 1

ITEM NO.	QTY.	PART NO.	DESCRIPTION
1	1	101-023	CAM SUB-ASSEMBLY
2	1	339-714	1/2" x 1 1/2" F.S. - 2 1/4"
3	1	339-021	CHROMED STOP
4	1	842-404	1/4" x 1/4" x 1 1/2" KEY
5	2	818-351	7/16"ID x 1 9/16"OD WASHER
6	1	810-604	3/8" x 1" BOLT



This document contains information proprietary to Magnum Fitness Systems. It is submitted in confidence and is to be used solely for the purpose for which it is furnished. This document and such information is not to be reproduced, transmitted, or used in whole or part without written authorization.

TOLERANCES: + 0.000"  
- 1/16"

UNLESS OTHERWISE SPECIFIED  
DIMENSIONS ARE IN INCHES.

DRAWN BY:  
RAD

**MAGNUM FITNESS SYSTEMS**

2201 12th. Avenue  
S. Milwaukee, WI, 53172

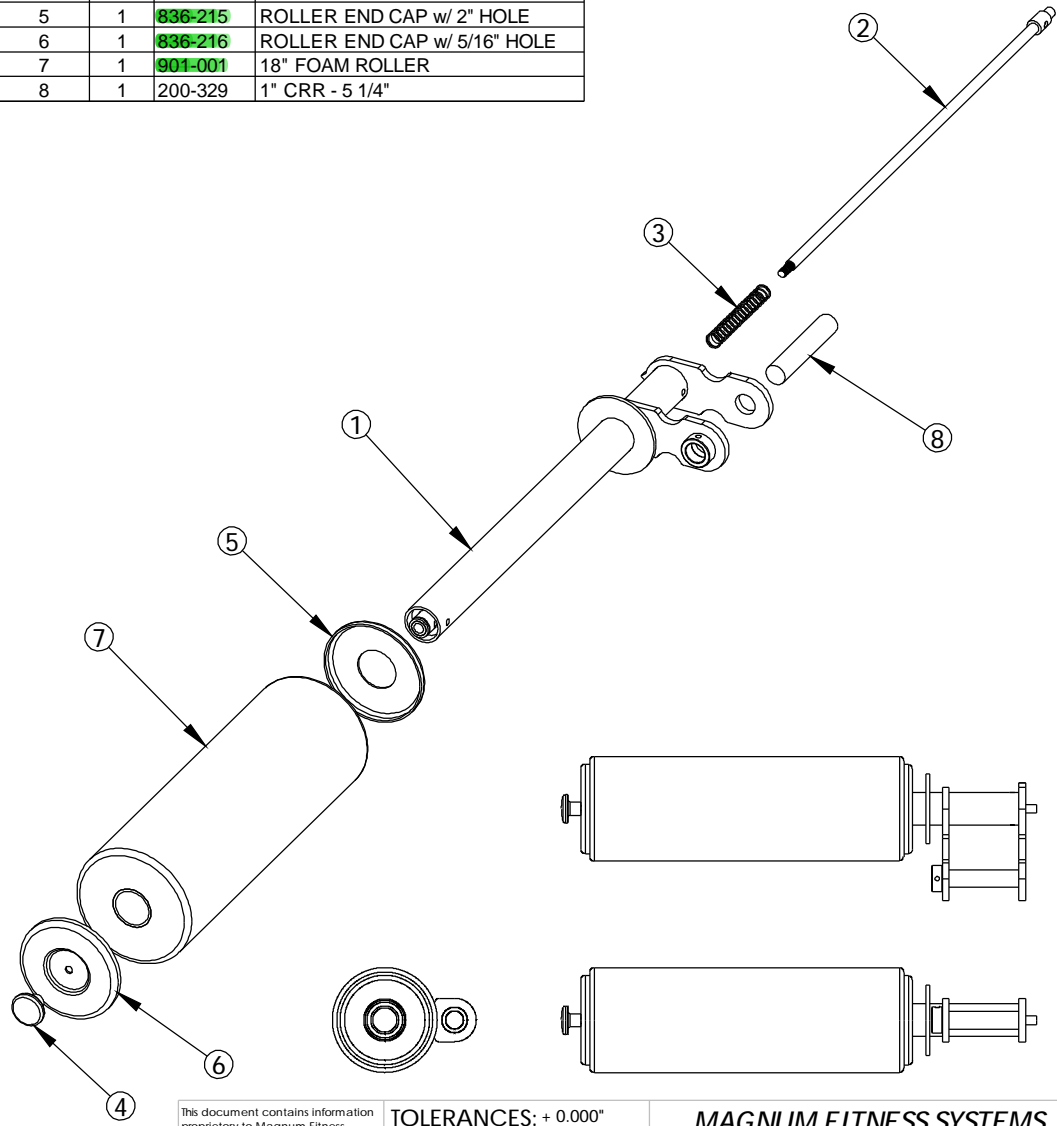
TITLE: 2008 CAM ASSEMBLY

DATE: 07/21/04	PART NO. xxx-xxx	JOB NO. XXXXXXXX	REV: 1
-------------------	---------------------	---------------------	-----------

FILE LOCATION: C:\Cad Drawings\Solid Works\

1 OF 1

ITEM NO.	QTY.	PART NO.	DESCRIPTION
1	1	101-033	ARM PAD ASSEMBLY
2	1	339-030	ADJUSTMENT ROD - CHROMED
3	1	852-801	11/16" OD x 5" LONG SPRING
4	1	852-207	GOLD PULL KNOB
5	1	836-215	ROLLER END CAP w/ 2" HOLE
6	1	836-216	ROLLER END CAP w/ 5/16" HOLE
7	1	901-001	18" FOAM ROLLER
8	1	200-329	1" CRR - 5 1/4"



This document contains information proprietary to Magnum Fitness Systems. It is submitted in confidence and is to be used solely for the purpose for which it is furnished. This document and such information is not to be reproduced, transmitted, or used in whole or part without written authorization.

TOLERANCES: + 0.000"  
- 1/16"

UNLESS OTHERWISE SPECIFIED  
DIMENSIONS ARE IN INCHES.

DRAWN BY:  
RAD

**MAGNUM FITNESS SYSTEMS**  
2201 12th. Avenue  
S. Milwaukee, WI, 53172

TITLE: ARM PAD ASSEMBLY

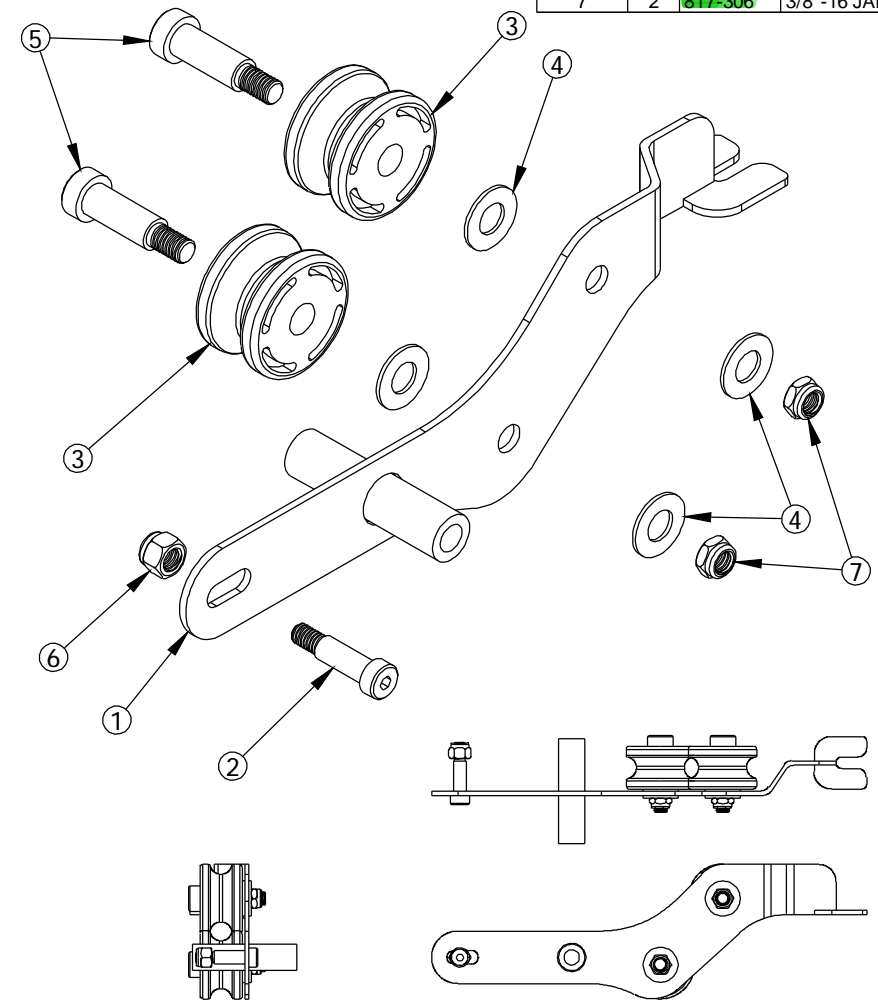
DATE: 07/21/04	PART NO. xxx-xxx	JOB NO. XXXXXXXX	REV: 1
-------------------	---------------------	---------------------	-----------

FILE LOCATION: C:\Cad Drawings\Solid Works\

1 OF 1



ITEM NO.	QTY.	PART NO.	DESCRIPTION
1	1	101-083	LEFT BANANA
2	1	810-953	3/8" SHOULDER BOLT - 1"
3	2	853-314	ROLLER w/ BEARING
4	4	818-008	1/2" FLAT WASHER
5	2	810-954	1/2" x 1 1/4" SHOULDER BOLT
6	1	817-406	3/8" NUT
7	2	817-306	3/8"-16 JAM NUT



This document contains information proprietary to Magnum Fitness Systems. It is submitted in confidence and is to be used solely for the purpose for which it is furnished. This document and such information is not to be reproduced, transmitted, or used in whole or part without written authorization.

TOLERANCES: + 0.000"  
- 1/16"

UNLESS OTHERWISE SPECIFIED  
DIMENSIONS ARE IN INCHES.

DRAWN BY:  
RAD

**MAGNUM FITNESS SYSTEMS**  
2201 12th. Avenue  
S. Milwaukee, WI, 53172

TITLE: BANANA ASSEMBLY (LEFT)

DATE: 08/02/04	PART NO. 101-148	JOB NO. XXXXXXXX	REV: 1
-------------------	---------------------	---------------------	-----------