

This document contains information proprietary to Magnum Fitness Systems. It is submitted in confidence and is to be used solely for the purpose for which it is furnished. This document and such information is not to be reproduced, transmitted, or used in whole or part without written authorization.

TOLERANCES: + 0.000"  
- 1/16"

UNLESS OTHERWISE SPECIFIED  
DIMENSIONS ARE IN INCHES.

DRAWN BY:  
RAD

**MAGNUM FITNESS SYSTEMS**

2201 12th. Avenue  
S. Milwaukee, WI, 53172

TITLE: 2007 (ABDOMINAL)

DATE:  
07/16/04

PART NO.  
xxx-xxx

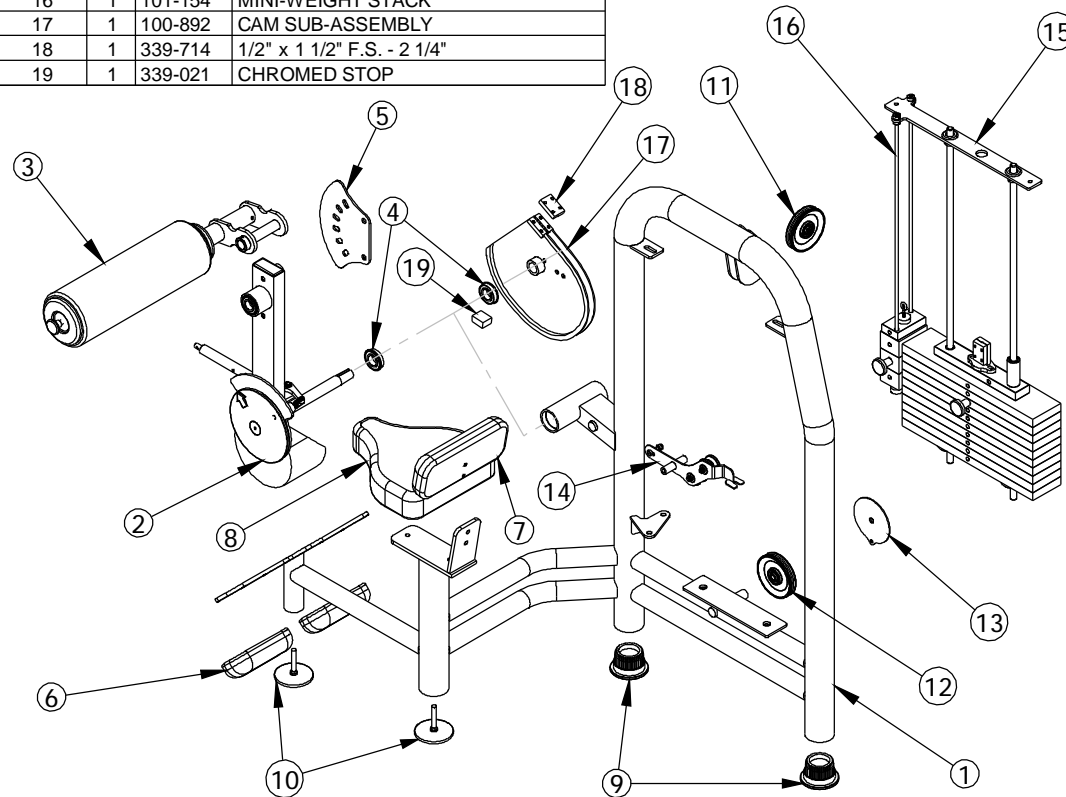
JOB NO.  
XXXXXXXX

REV:  
1

FILE LOCATION: C:\Cad Drawings\Solid Works\

1 OF 1

ITEM NO.	QTY.	PART NO.	DESCRIPTION
1	1	100-882	2007 MAIN FRAME
2	1	101-325	2007 HAMMER ASSEMBLY
3	1	101-324	2007 ARM PAD ASSEMBLY
4	2	851-420	FLANGE BEARING - 1 1/8"
5	1	339-968	3/16" PLASMA - CHROME
6	2	900-011	UPHOLSTRY
7	1	900-030	UPHOLSTERY
8	1	901-018	SEAT UPHOLSTRY
9	2	850-056	3" FOOT
10	2	833-129	4" FOOT (LONG)
11	1	853-303	4" CABLE PULLEY - 3/8" NARROW HOLE
12	1	853-300	4" CABLE PULLEY - 1/2" NARROW HOLE
13	1	501-125	1/8" PLASMA
14	1	101-148	LEFT BANANA ASSEMBLY
15	1	101-314	WEIGHT STACK ASSEMBLY
16	1	101-154	MINI-WEIGHT STACK
17	1	100-892	CAM SUB-ASSEMBLY
18	1	339-714	1/2" x 1 1/2" F.S. - 2 1/4"
19	1	339-021	CHROMED STOP



This document contains information proprietary to Magnum Fitness Systems. It is submitted in confidence and is to be used solely for the purpose for which it is furnished. This document and such information is not to be reproduced, transmitted, or used in whole or part without written authorization.

TOLERANCES: + 0.000"  
- 1/16"

UNLESS OTHERWISE SPECIFIED  
DIMENSIONS ARE IN INCHES.

DRAWN BY:  
RAD

**MAGNUM FITNESS SYSTEMS**

2201 12th. Avenue  
S. Milwaukee, WI, 53172

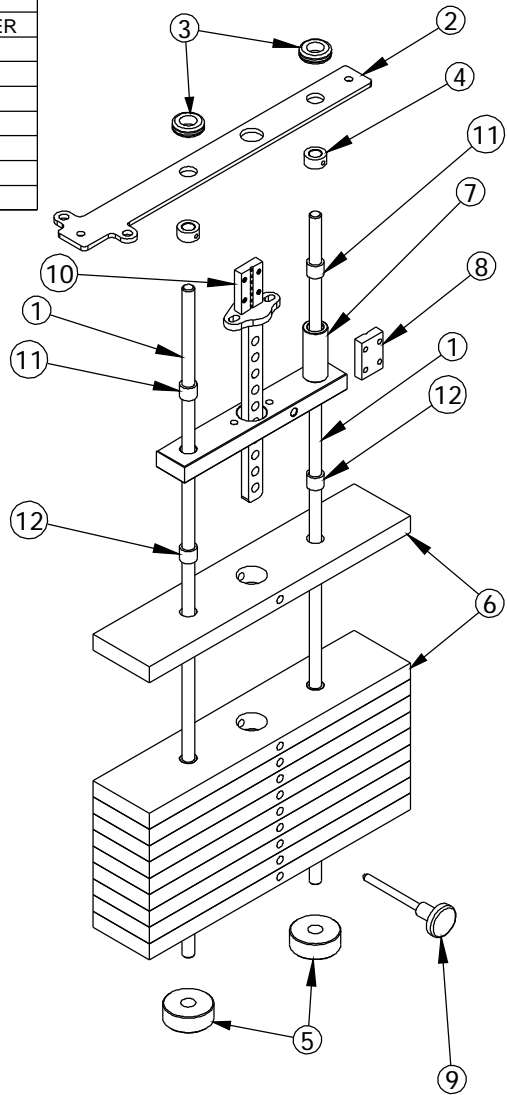
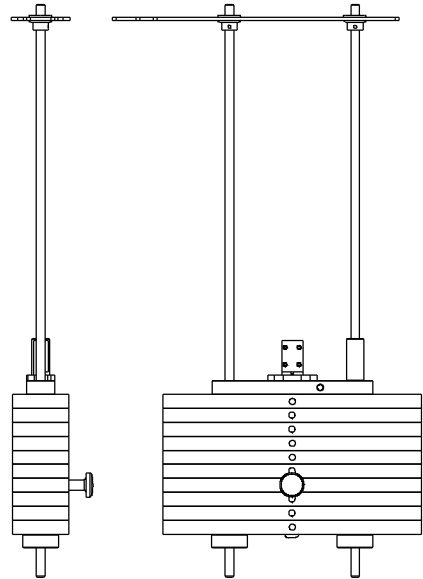
TITLE: 2007 (ABDOMINAL)

DATE: 07/16/04	PART NO. xxx-xxx	JOB NO. XXXXXXXX	REV: 1
-------------------	---------------------	---------------------	-----------

FILE LOCATION: C:\Cad Drawings\Solid Works\

1 OF 1

ITEM NO.	QTY.	PART NO.	DESCRIPTION
1	2	200-384	5/8" GUIDE ROD - 41"
2	1	500-963	1/4" PLASMA
3	2	858-005	5/8" RUBBER GROMMET
4	2	852-610	5/8" SET COLLAR
5	2	838-211	ROUND WEIGHT STACK BUMPER
6	10	300-410	1" x 4" F.S. - 18 1/2"
7	1	101-129	TOP WEIGHT PLATE
8	1	339-714	1/2" x 1 1/2" F.S. - 2 1/4"
9	1	852-007	SELECTOR PIN w/ 6 1/2" CORD
10	1	101-126	CENTER STICK - 10
11	2	849-001	7/8"OD x 5/8"ID x 3/4" BUSHING
12	20	849-002	7/8"OD x .640"ID x 3/4" BUSHING



This document contains information proprietary to Magnum Fitness Systems. It is submitted in confidence and is to be used solely for the purpose for which it is furnished. This document and such information is not to be reproduced, transmitted, or used in whole or part without written authorization.

**TOLERANCES:** + 0.000"  
- 1/16"

UNLESS OTHERWISE SPECIFIED  
DIMENSIONS ARE IN INCHES.

**MAGNUM FITNESS SYSTEMS**  
2201 12th. Avenue  
S. Milwaukee, WI, 53172

**TITLE: 2007 WEIGHT STACK**

DRAWN BY:  
**RAD**

DATE:  
07/01/04

PART NO.  
xxx-xxx

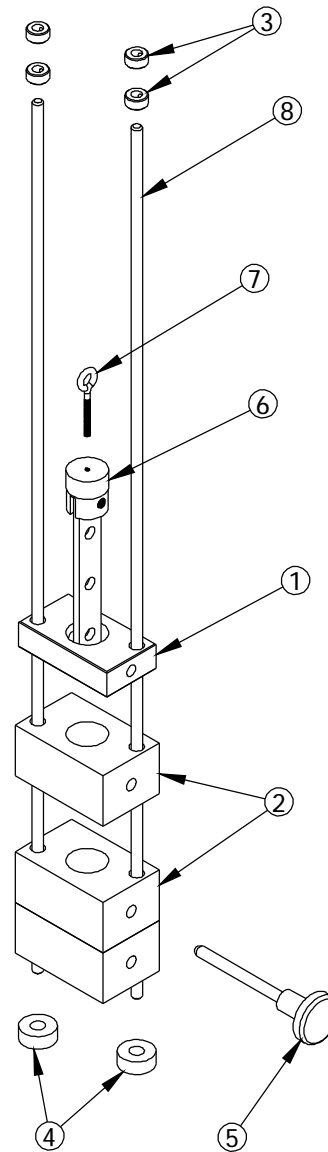
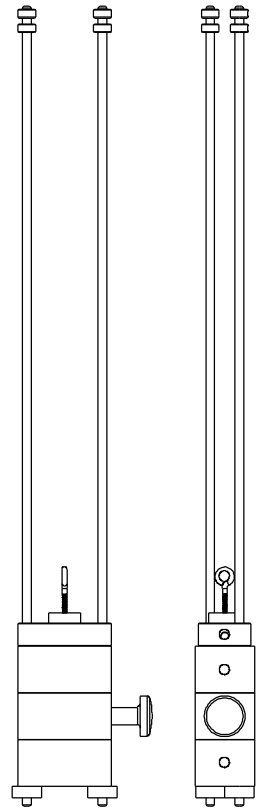
JOB NO.  
XXXXXXXX

REV:  
1

FILE LOCATION: C:\Cad Drawings\Solid Works\

1 OF 1

ITEM NO.	QTY.	PART NO.	DESCRIPTION
1	1	807-001	1" x 2 1/4" F.S. - 4"
2	3	300-413	2" x 4" F.S. - 2 9/16"
3	4	852-607	3/8" SHAFT COLLAR
4	2	858-251	1/2" RUBBER BUMPER
5	1	852-008	SELECTOR PIN w/ 4" CORD
6	1	101-053	MINI WEIGHT STACK CENTER STICK
7	1	818-899	3/8" EYE BOLT - 2 1/2"
8	2	200-392	3/8" GUIDE ROD - 34 3/8"



This document contains information proprietary to Magnum Fitness Systems. It is submitted in confidence and is to be used solely for the purpose for which it is furnished. This document and such information is not to be reproduced, transmitted, or used in whole or part without written authorization.

TOLERANCES: + 0.000"  
- 1/16"

UNLESS OTHERWISE SPECIFIED  
DIMENSIONS ARE IN INCHES.

DRAWN BY:  
RAD

**MAGNUM FITNESS SYSTEMS**  
2201 12th. Avenue  
S. Milwaukee, WI, 53172

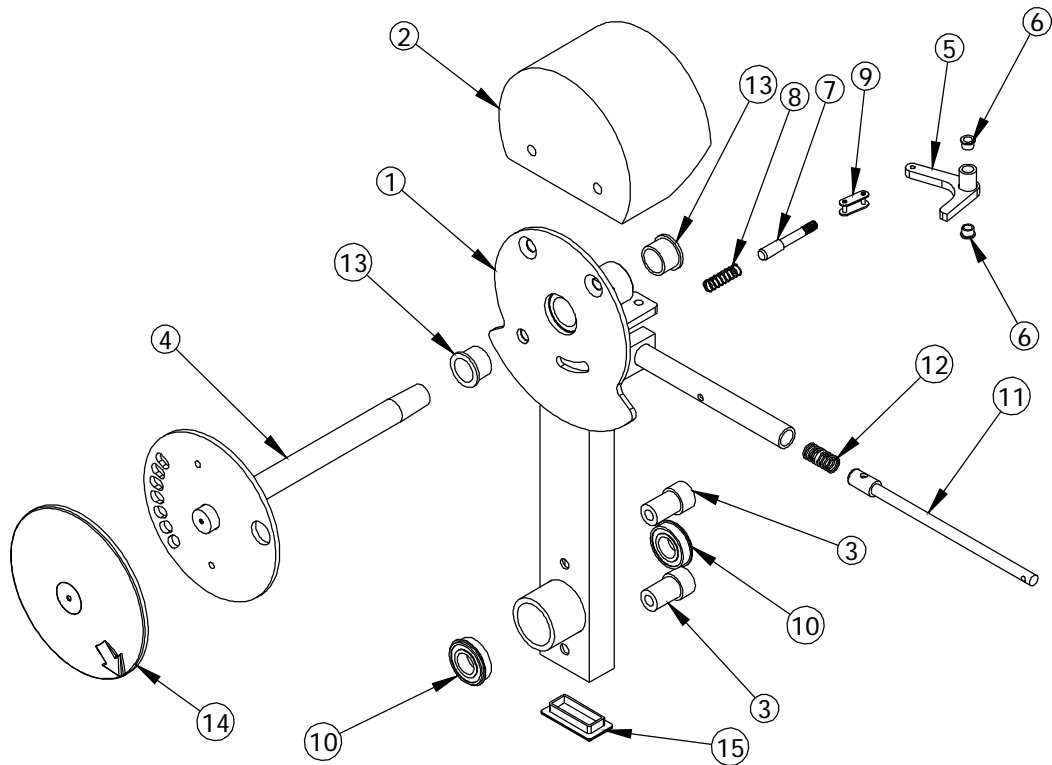
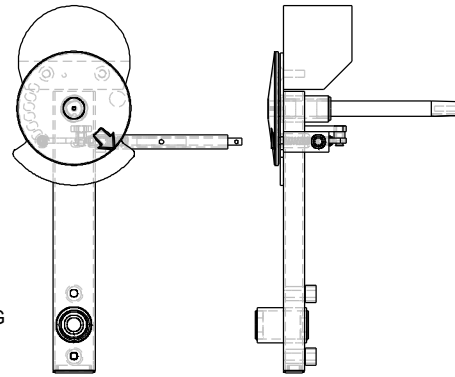
TITLE: 2007 MINI WEIGHT STACK

DATE: 07/16/04	PART NO. xxx-xxx	JOB NO. XXXXXXXX	REV: 1
-------------------	---------------------	---------------------	-----------

FILE LOCATION: C:\Cad Drawings\Solid Works\

1 OF 1

ITEM NO.	QTY.	PART NO.	DESCRIPTION
1	1	100-883	HAMMER SUB-ASSEMBLY
2	1	200-363	8" CRR - 4 7/8"
3	2	101-082	STOP
4	1	100-893	ADJUSTER PLATE
5	1	101-130	ADJUSTMENT LEVER
6	2	851-552	3/8" FLANGE BUSHING - 3/8"
7	1	855-302	SPRING PIN w/ 5/32"
8	1	852-807	SPRING
9	1	700-534	MASTER LINK
10	2	851-416	FLANGE BEARING - 1"
11	1	339-023	ADJUSTMENT ROD
12	1	852-820	3/4" O.D. 10 COIL SPRING
13	2	851-453	1.127ID x 1.377OD x 1" BRASS BUSHING
14	1	836-265	RANGE LIMITER COVER
15	1	850-011	1 1/2" x 3" END CAP



This document contains information proprietary to Magnum Fitness Systems. It is submitted in confidence and is to be used solely for the purpose for which it is furnished. This document and such information is not to be reproduced, transmitted, or used in whole or part without written authorization.

TOLERANCES: + 0.000"  
- 1/16"

UNLESS OTHERWISE SPECIFIED  
DIMENSIONS ARE IN INCHES.

DRAWN BY:  
RAD

**MAGNUM FITNESS SYSTEMS**

2201 12th. Avenue  
S. Milwaukee, WI, 53172

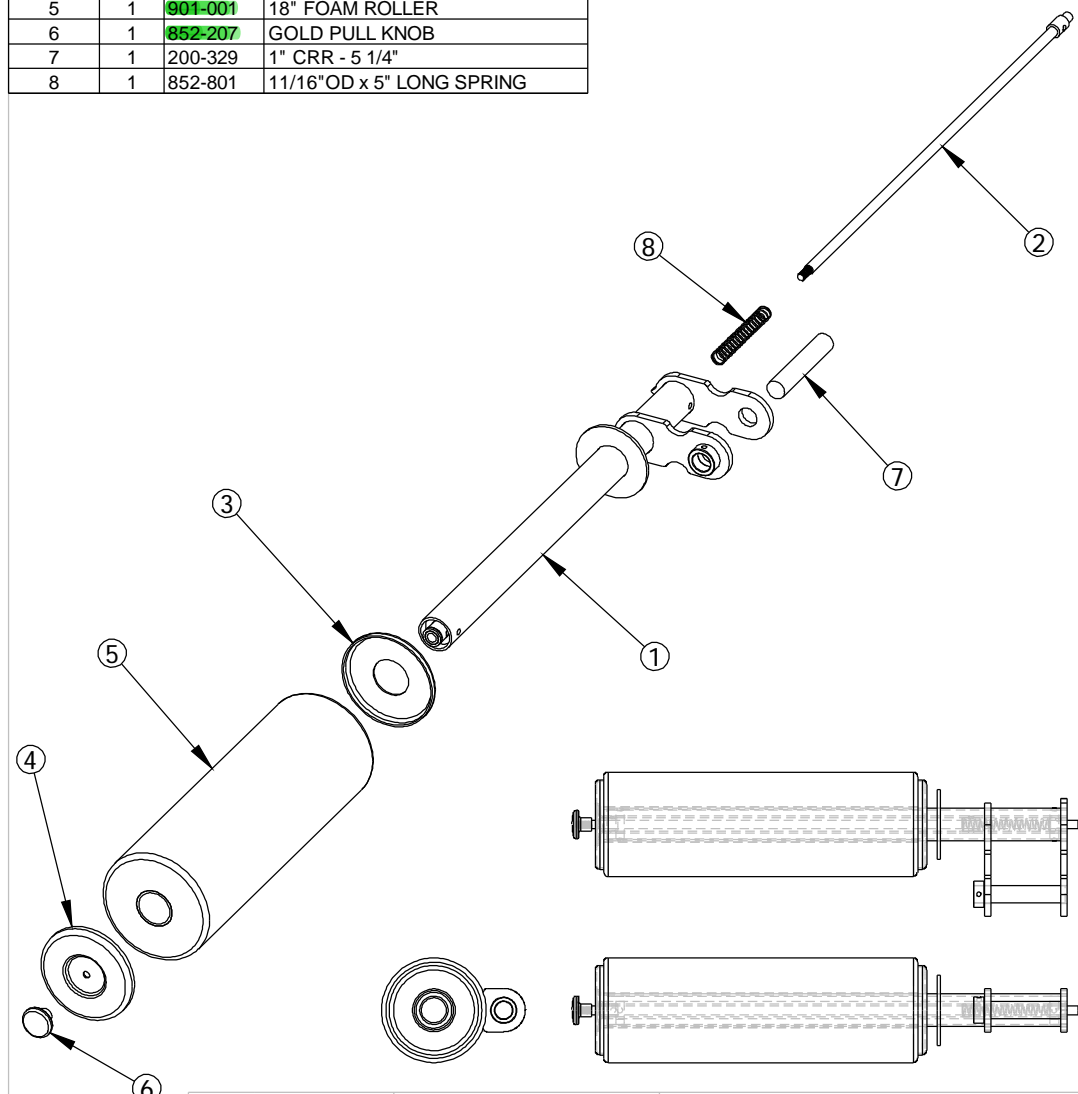
TITLE: 2007 HAMMER

DATE: 07/15/04	PART NO. xxx-xxx	JOB NO. XXXXXXXX	REV: 1
-------------------	---------------------	---------------------	-----------

FILE LOCATION: C:\Cad Drawings\Solid Works\

1 OF 1

ITEM NO.	QTY.	PART NO.	DESCRIPTION
1	1	100-887	ARM PAD SUB-ASSEMBLY
2	1	339-017	28 3/4" ADJUSTMENT ROD
3	1	836-215	ROLLER END CAP w/ 2" HOLE
4	1	836-216	ROLLER END CAP w/ 5/16" HOLE
5	1	901-001	18" FOAM ROLLER
6	1	852-207	GOLD PULL KNOB
7	1	200-329	1" CRR - 5 1/4"
8	1	852-801	11/16"OD x 5" LONG SPRING



This document contains information proprietary to Magnum Fitness Systems. It is submitted in confidence and is to be used solely for the purpose for which it is furnished. This document and such information is not to be reproduced, transmitted, or used in whole or part without written authorization.

TOLERANCES: + 0.000"  
- 1/16"

UNLESS OTHERWISE SPECIFIED  
DIMENSIONS ARE IN INCHES.

DRAWN BY:  
RAD

**MAGNUM FITNESS SYSTEMS**  
2201 12th. Avenue  
S. Milwaukee, WI, 53172

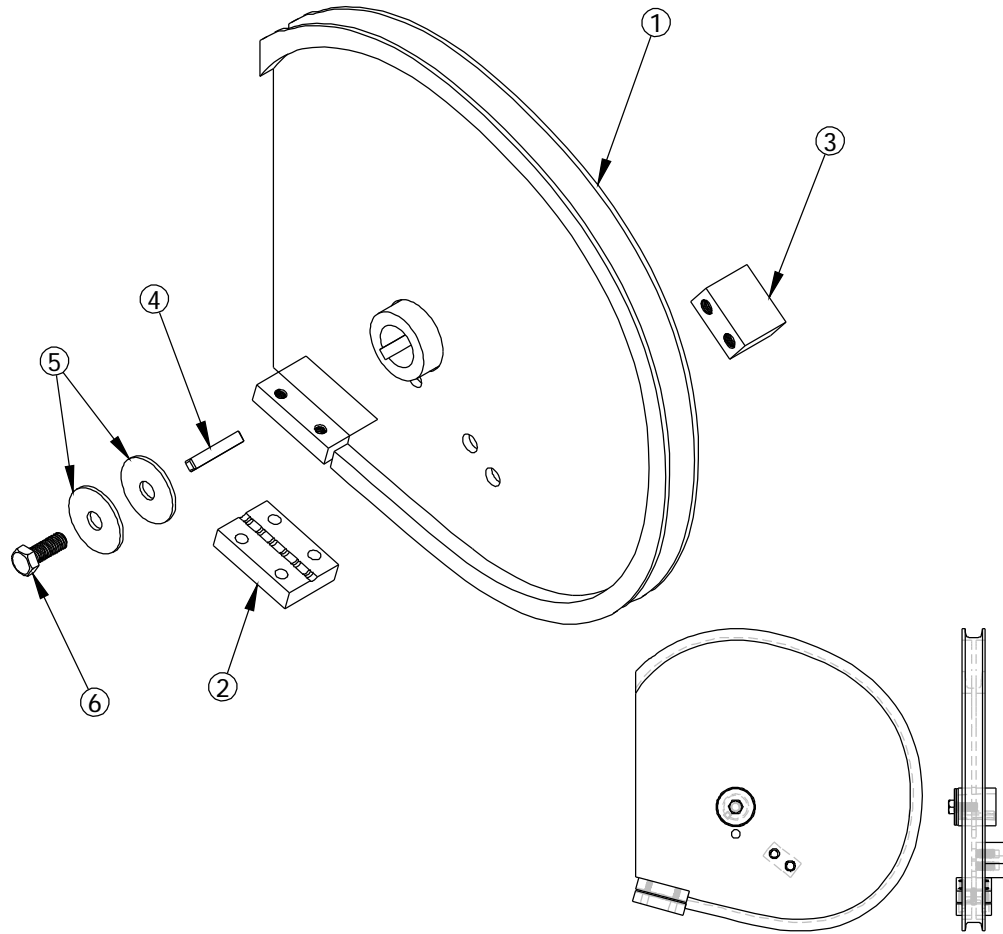
TITLE: 2007 PAD ARM ASSEMBLY

DATE: 07/15/04	PART NO. xxx-xxx	JOB NO. XXXXXXXX	REV: 1
-------------------	---------------------	---------------------	-----------

FILE LOCATION: C:\Cad Drawings\Solid Works\

1 OF 1

ITEM NO.	QTY.	PART NO.	DESCRIPTION
1	1	100-892	CAM SUB-ASSEMBLY
2	1	339-714	1/2" x 1 1/2" F.S. - 2 1/4"
3	1	339-021	CHROMED STOP
4	1	842-404	1/4" x 1/4" x 1 1/2" KEY
5	2	818-351	7/16"ID x 1 9/16"OD WASHER
6	1	810-604	3/8" x 1" BOLT



This document contains information proprietary to Magnum Fitness Systems. It is submitted in confidence and is to be used solely for the purpose for which it is furnished. This document and such information is not to be reproduced, transmitted, or used in whole or part without written authorization.

TOLERANCES: + 0.000"  
- 1/16"

UNLESS OTHERWISE SPECIFIED  
DIMENSIONS ARE IN INCHES.

**MAGNUM FITNESS SYSTEMS**  
2201 12th. Avenue  
S. Milwaukee, WI, 53172

TITLE: 2007 CAM ASSEMBLY

DRAWN BY:  
RAD

DATE:  
07/16/04

PART NO.  
xxx-xxx

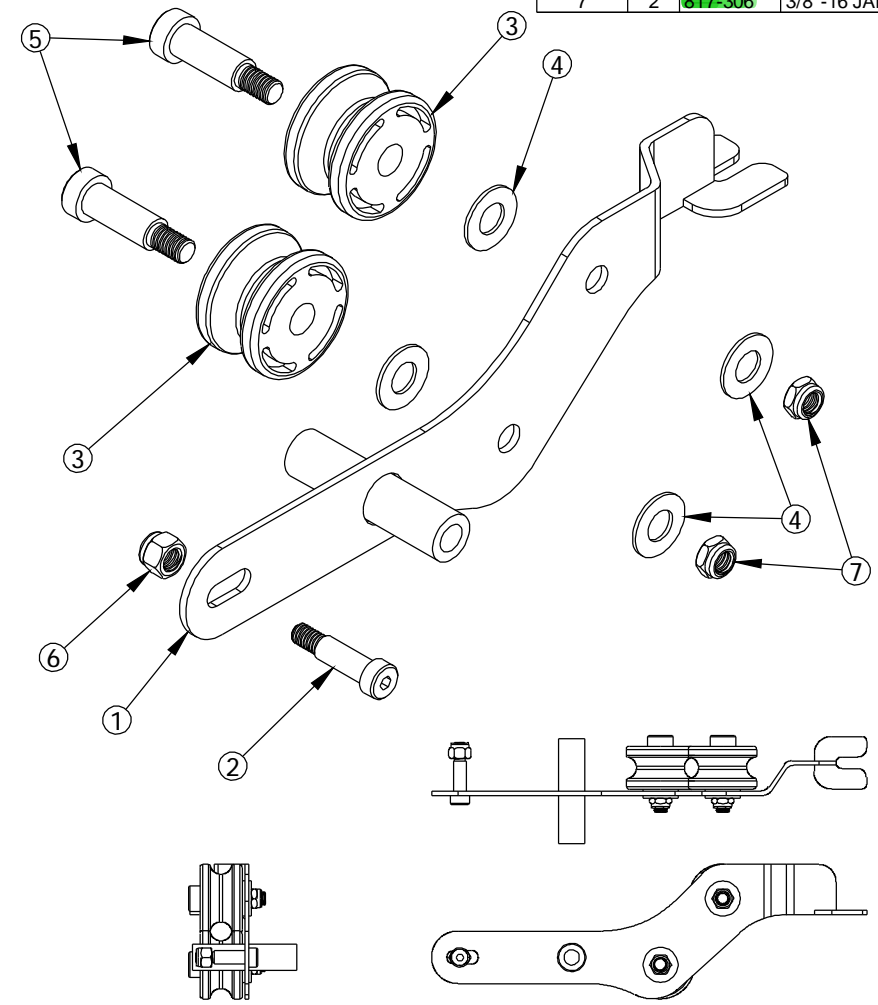
JOB NO.  
XXXXXXXX

REV:  
1

FILE LOCATION: C:\Cad Drawings\Solid Works\

1 OF 1

ITEM NO.	QTY.	PART NO.	DESCRIPTION
1	1	101-083	LEFT BANANA
2	1	810-953	3/8" SHOULDER BOLT - 1"
3	2	853-314	ROLLER w/ BEARING
4	4	818-008	1/2" FLAT WASHER
5	2	810-954	1/2" x 1 1/4" SHOULDER BOLT
6	1	817-406	3/8" NUT
7	2	817-306	3/8"-16 JAM NUT



This document contains information proprietary to Magnum Fitness Systems. It is submitted in confidence and is to be used solely for the purpose for which it is furnished. This document and such information is not to be reproduced, transmitted, or used in whole or part without written authorization.

TOLERANCES: + 0.000"  
- 1/16"

UNLESS OTHERWISE SPECIFIED  
DIMENSIONS ARE IN INCHES.

DRAWN BY:  
RAD

**MAGNUM FITNESS SYSTEMS**  
2201 12th. Avenue  
S. Milwaukee, WI, 53172

TITLE: BANANA ASSEMBLY (LEFT)

DATE: 08/02/04	PART NO. 101-148	JOB NO. XXXXXXXX	REV: 1
-------------------	---------------------	---------------------	-----------