

This document contains information proprietary to Magnum Fitness Systems. It is submitted in confidence and is to be used solely for the purpose for which it is furnished. This document and such information is not to be reproduced, transmitted, or used in whole or part without written authorization.

TOLERANCES: + 0.000"  
- 1/16"

UNLESS OTHERWISE SPECIFIED  
DIMENSIONS ARE IN INCHES.

DRAWN BY  
J. WENZEL

**MAGNUM FITNESS SYSTEMS**

2201 12th. Avenue  
S. Milwaukee, WI, 53172

TITLE: 2003 v 1.0 Leg Press

DATE:  
12/13/04

PART NO.  
2003 v 1.0

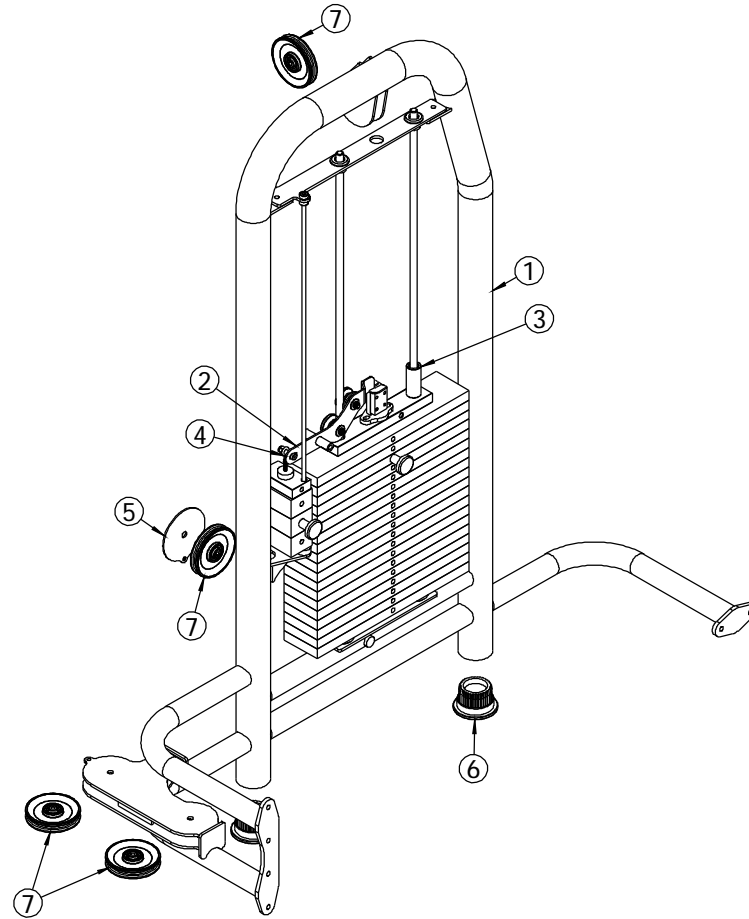
JOB NO.  
XXXXXXXX

REV:  
1

FILE LOCATION: C:\Cad Drawings\Solid Works\

1 OF 4

ITEM NO.	QTY.	PART NO.	DESCRIPTION
1	1	101-016	MAIN FRAME
2	1	101-148	LEFT BANANA ASSEMBLY
3	1	101-305	WEIGHT STACK ASSEMBLY
4	1	101-306	MINI WEIGHT STACK ASSEMBLY
5	1	501-125	1/8" PLASMA
6	2	850-056	3" FOOT
7	4	853-303	4" CABLE PULLEY - 3/8" NARROW HOLE



This document contains information proprietary to Magnum Fitness Systems. It is submitted in confidence and is to be used solely for the purpose for which it is furnished. This document and such information is not to be reproduced, transmitted, or used in whole or part without written authorization.

TOLERANCES: + 0.000"  
- 1/16"

UNLESS OTHERWISE SPECIFIED  
DIMENSIONS ARE IN INCHES.

DRAWN BY  
J. WENZEL

**MAGNUM FITNESS SYSTEMS**

2201 12th. Avenue  
S. Milwaukee, WI, 53172

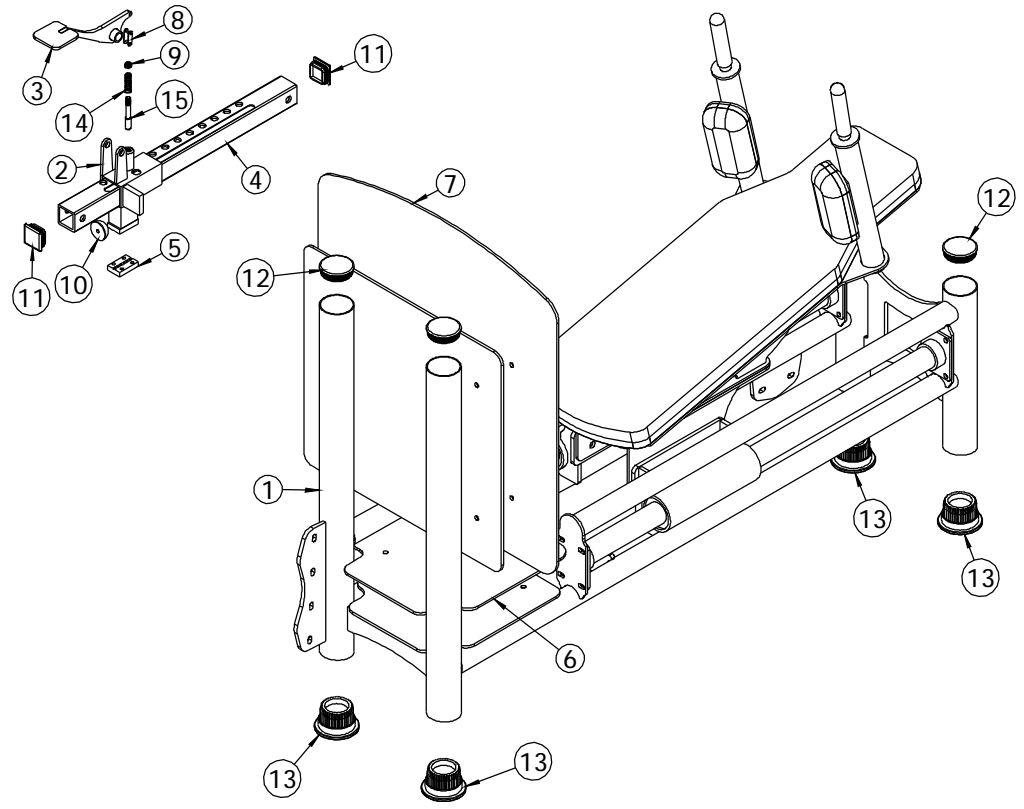
TITLE: 2003 v 1.0 Leg Press

DATE: 12/13/04	PART NO. 2003 v 1.0	JOB NO. XXXXXXXX	REV: 1
-------------------	------------------------	---------------------	-----------

FILE LOCATION: C:\Cad Drawings\Solid Works\

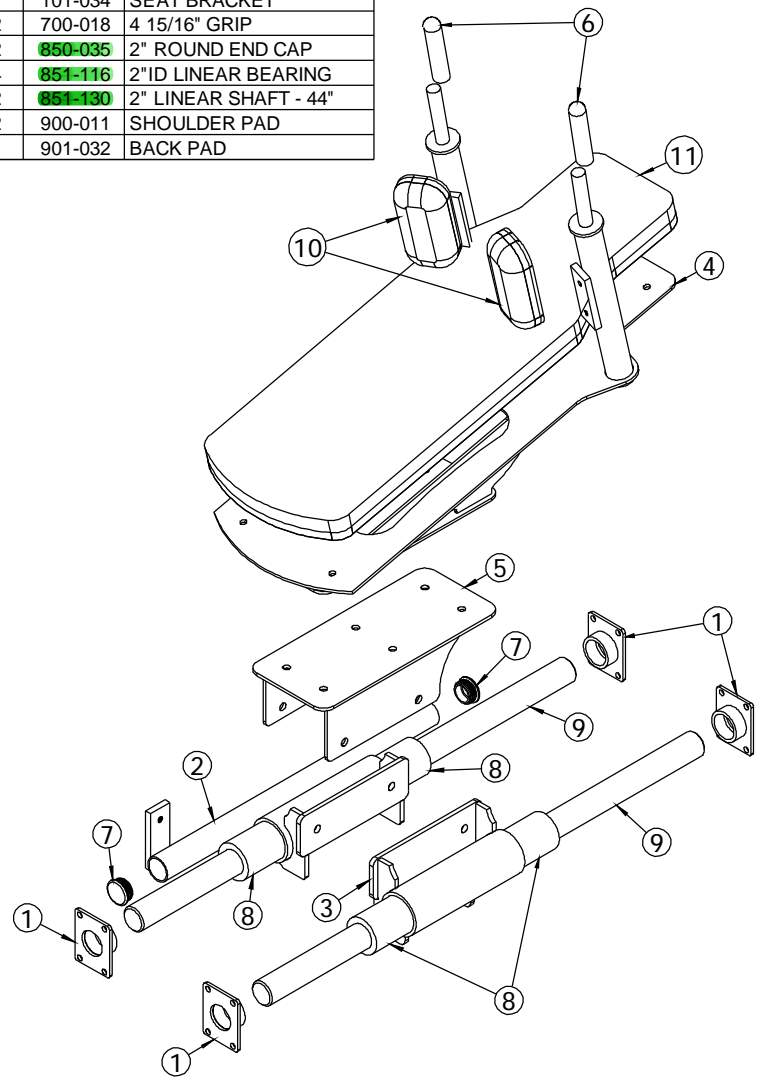
2 OF 4

ITEM NO.	QTY.	PART NO.	DESCRIPTION
1	1	101-019	MAIN FRAME
2	1	101-044	SEAT ADJUSTMENT
3	1	101-054	SEAT ADJUSTMENT HANDLE
4	1	339-026	2" X 2" HEAVY WALL TUBE - 27"
5	1	339-714	1/2" X 1 1/2" F.S. - 2 1/4"
6	1	501-180	DIAMOND PLATE
7	1	501-224	DIAMOND PLATE
8	1	700-534	MASTER LINK
9	1	817-306	3/8"-16 JAM NUT
10	1	838-223	HALF-ROUND RUBBER BUMPER
11	2	850-004	2" X 2" END CAP
12	4	850-045	3" ROUND END CAP
13	4	850-056	3" FOOT
14	1	852-807	SPRING
15	1	855-302	SPRING PIN w/ 5/32"



<p>This document contains information proprietary to Magnum Fitness Systems. It is submitted in confidence and is to be used solely for the purpose for which it is furnished. This document and such information is not to be reproduced, transmitted, or used in whole or part without written authorization.</p>	<p>TOLERANCES: + 0.000" - 1/16"</p>	<p><b>MAGNUM FITNESS SYSTEMS</b> 2201 12th. Avenue S. Milwaukee, WI, 53172</p>		
	<p>UNLESS OTHERWISE SPECIFIED DIMENSIONS ARE IN INCHES.</p>	<p>TITLE: 2003 v 1.0 Leg Press</p>		
<p>DRAWN BY: J. WENZEL</p>	<p>DATE: 12/13/04</p>	<p>PART NO. 2003 v 1.0</p>	<p>JOB NO. XXXXXXXXX</p>	<p>REV: 1</p>
<p>FILE LOCATION: C:\Cad Drawings\Solid Works\</p>			<p>3 OF 4</p>	

ITEM NO.	QTY.	PART NO.	DESCRIPTION
1	4	100-517	LINEAR SHAFT BRACKET
2	1	101-020	BEARING HOUSING
3	1	101-021	BEARING HOUSING
4	1	101-029	CARRIAGE ASSEMBLY
5	1	101-034	SEAT BRACKET
6	2	700-018	4 15/16" GRIP
7	2	850-035	2" ROUND END CAP
8	4	851-116	2" ID LINEAR BEARING
9	2	851-130	2" LINEAR SHAFT - 44"
10	2	900-011	SHOULDER PAD
11	1	901-032	BACK PAD



This document contains information proprietary to Magnum Fitness Systems. It is submitted in confidence and is to be used solely for the purpose for which it is furnished. This document and such information is not to be reproduced, transmitted, or used in whole or part without written authorization.

TOLERANCES: + 0.000"  
- 1/16"

UNLESS OTHERWISE SPECIFIED  
DIMENSIONS ARE IN INCHES.

DRAWN BY:  
J. WENZEL

**MAGNUM FITNESS SYSTEMS**  
2201 12th. Avenue  
S. Milwaukee, WI, 53172

TITLE: 2003 v 1.0 Leg Press

DATE: 12/13/04	PART NO. 2003 v 1.0	JOB NO. XXXXXXXX	REV: 1
-------------------	------------------------	---------------------	-----------

FILE LOCATION: C:\Cad Drawings\Solid Works\

4 OF 4