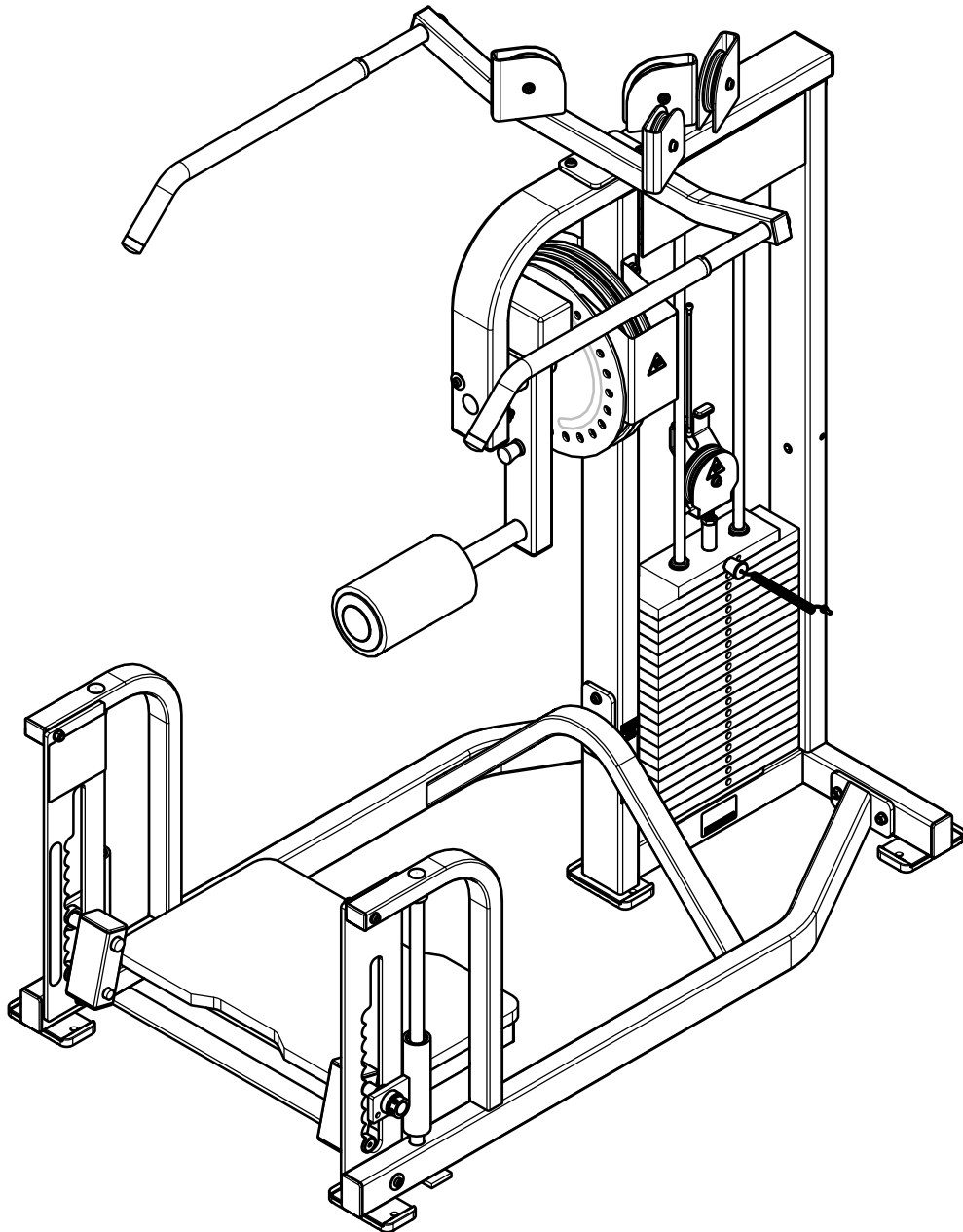




PRO 2 SERIES
PSHGSE HIP/GLUTE



Customer Support Services
PARTS MANUAL

8/11/2022

PSHGSE HIP/GLUTE CONTENTS

COMPONENT ASSEMBLY 3

COMPONENT ASSEMBLY LEGEND 4

DRIVE PULLEY ASSEMBLY 5

WORK ARM ASSEMBLY 6

WORK ARM ASSEMBLY LEGEND 7

LINEAR BEARING HOUSING ASSEMBLY 8

5 LB. INCREMENT WEIGHT ASSEMBLY 9

INCREMENT WEIGHT WITH STRIKER 10

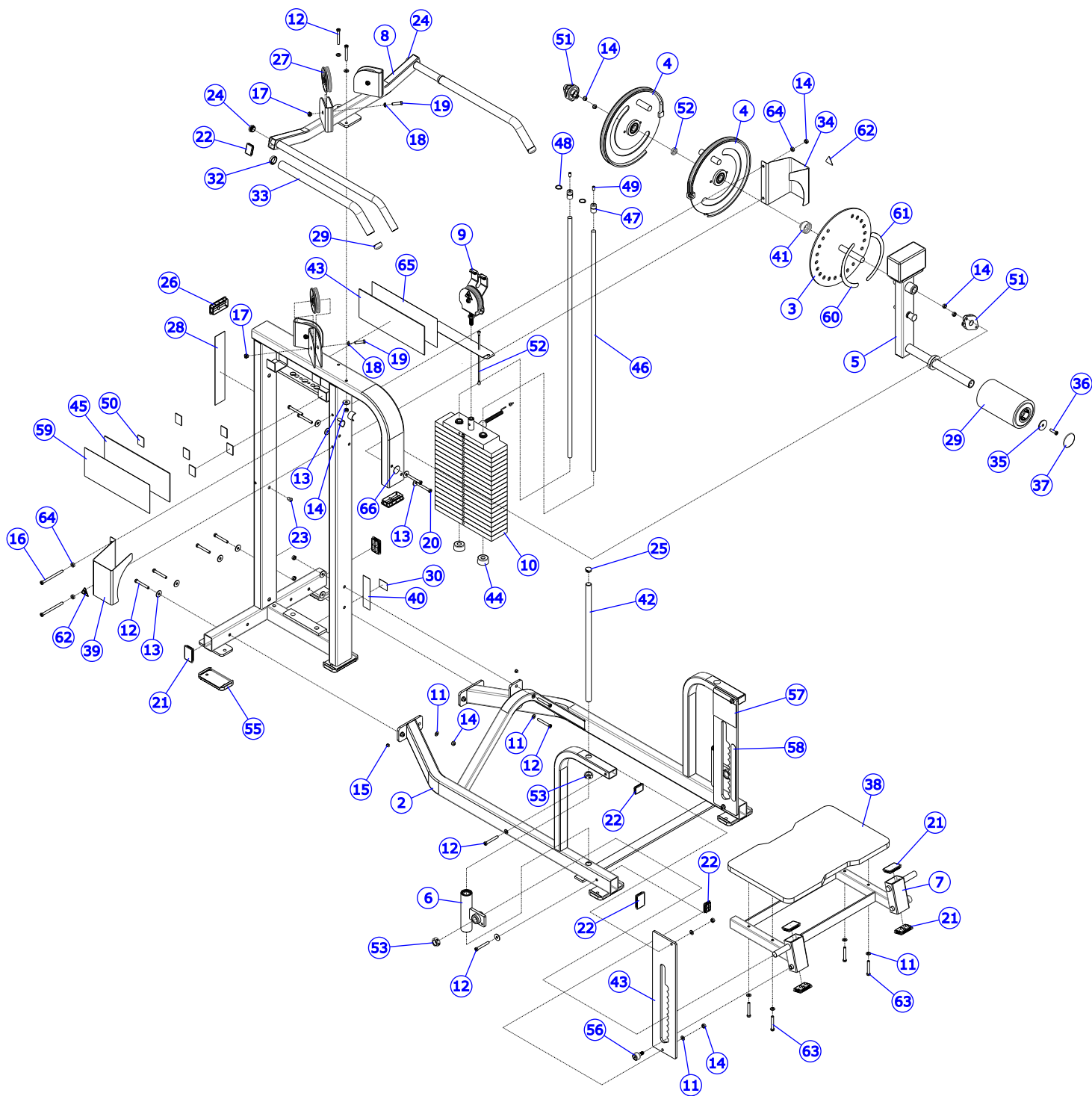
300 LB. WEIGHT STACK ASSEMBLY 11

WEIGHT STACK PULLEY ASSEMBLY 12

REAR SHROUD ASSEMBLY 13

IMAGE 15

PSHGSE HIP/GLUTE COMPONENT ASSEMBLY

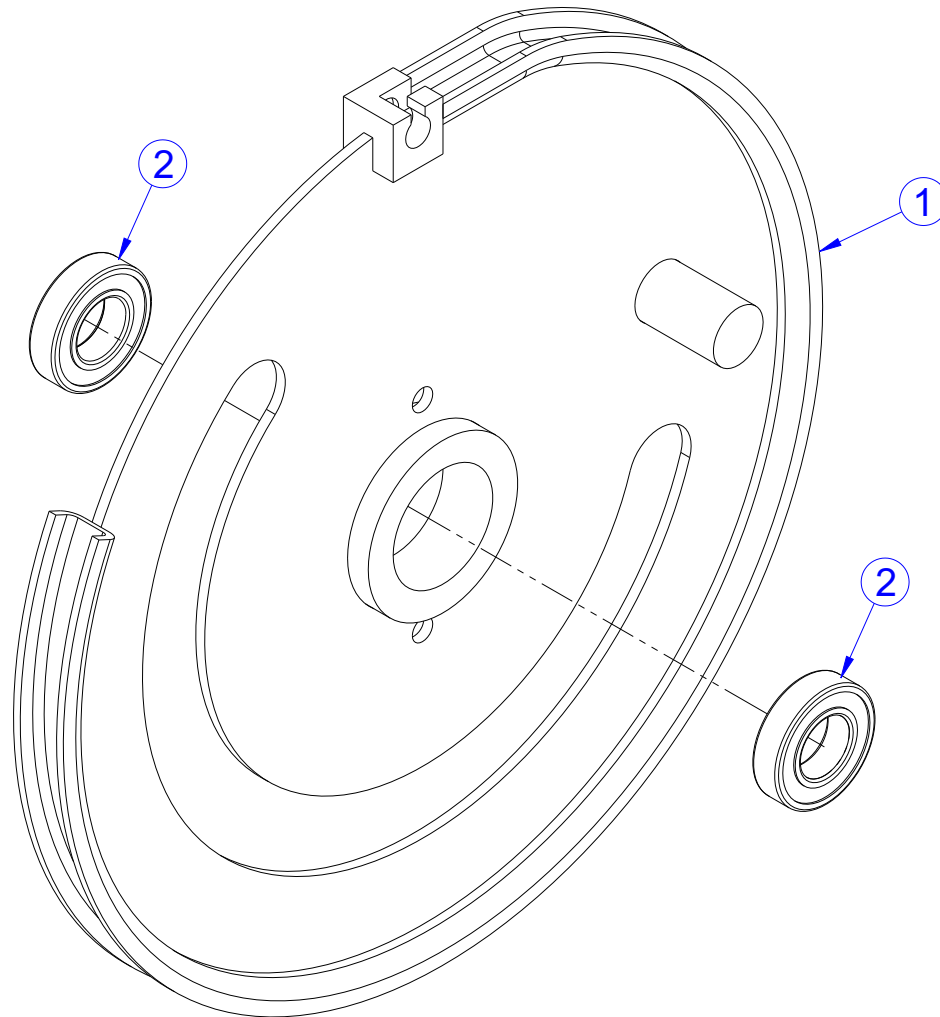


SEE PAGE 4 FOR LEGEND

PSHGSE HIP/GLUTE COMPONENT ASSEMBLY LEGEND

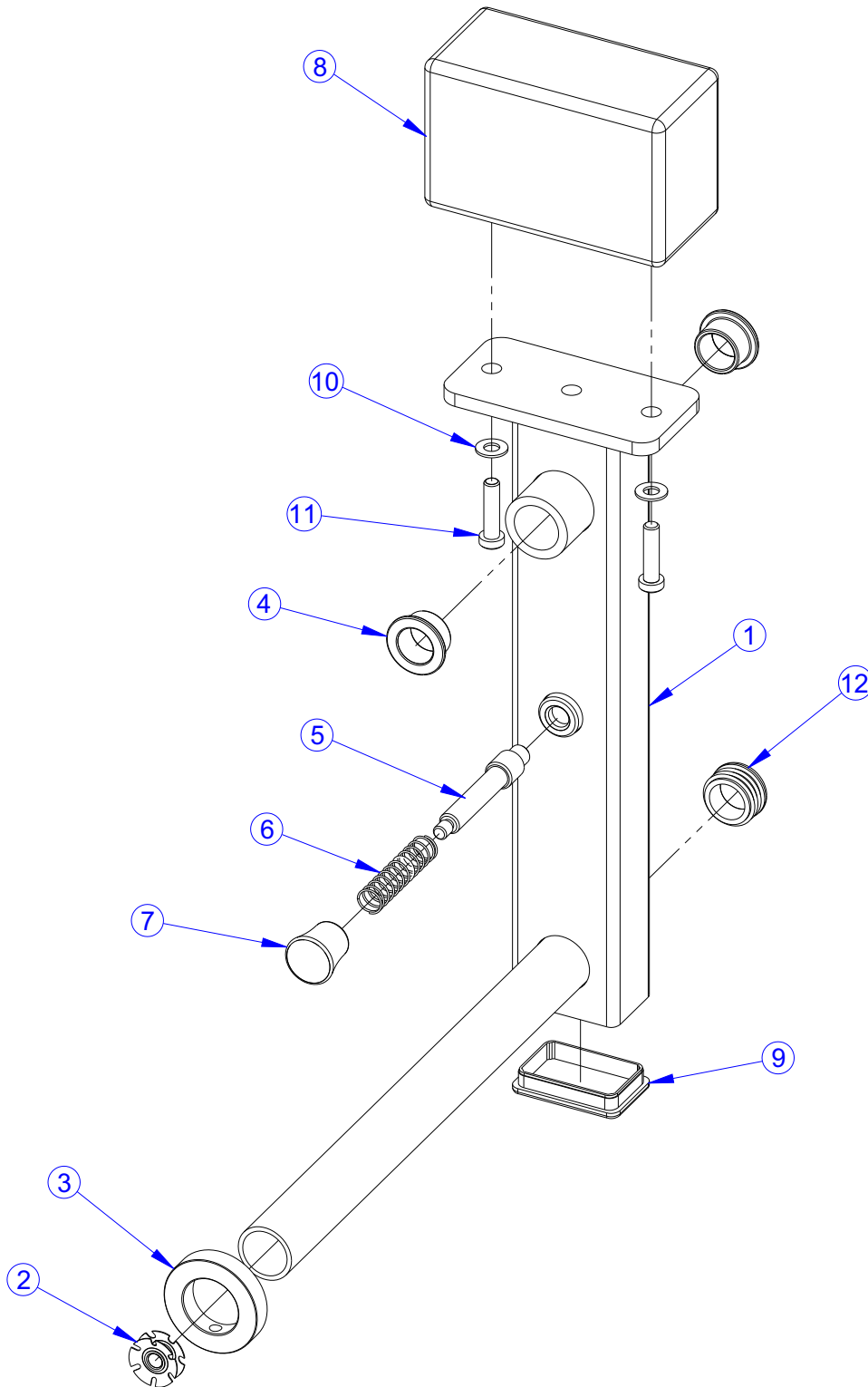
ITEM NO.	QTY.	PART NO.	DESCRIPTION	FRAME COLOR
1	1	82066XX	WLDMT, PSHG WT STACK	ANY
2	1	82075XX	WLDMT, PSHG BASE FRAME	ANY
3	1	82090XX	WLDMT, PSHG SEL PLATE	ANY
4	2	8275001	ASSY, PSHG DRIVE PULLEY	ANY
5	1	8221401	ASSY, PSHG WORKARM	ANY
6	1	6221501	ASSY, PSHG LINEAR BEARING	ANY
7	1	91793XX	WLDMT, PSHG PLATFORM	ANY
8	1	82084XX	WLDMT, PSHG HANDLEBAR	ANY
9	1	1014244-9301	ASSY: FLOATING PULLEY SNGL PULLEY	ANY
10	1	SEE PAGE 11	ASSY, 300LB STACK	-
11	19	6236601	WASHER, 3/8 SAE SS	-
12	12	6236212	SCREW, M10 X1.5 75MM	-
13	13	6236602	WASHER, 3/8 ID X 1.25 OD SS	-
14	18	6236801	NUT, M10 HEX NYLOCK SS	-
15	4	6237401	PLUG, 7/16" HOLE	-
16	2	6236220	SCREW, M10 X1.5 130MM	-
17	4	7335401	NUT, M10 X 1.5 SOCKET HEAD	-
18	4	6348101	WASHER, SPACER	-
19	4	6236205	SCREW, M10 X1.5 40MM	-
20	4	6236213	SCREW, M10 X1.5 80MM	-
21	8	1009553-0001	CAP, 2IN X 3IN 11-14GA, END	-
22	6	6217401	CAP, 1.5IN X 2IN -10-14GA, END	-
23	6	6238601	M10X1.5 BLIND THREADED INSERT (HEX)	-
24	2	6119303	CAP, END 1.25 DIA RD 10-14 GA	-
25	2	6237403	PLUG, 1" HOLE	-
26	2	6462701	CAP, HAMMER, END 2 X 4	-
27	4	6237801	PULLEY, 1/4 IN CABLE (T3), 4.5 IN OD	-
28	1	7348001	LABEL, LIFE FITNESS LOGO	-
29	1	62247XX	ASSY, ROLLER PAD - SHORT	ANY
30	1	7571301	LABEL, SERIAL NUMBER, BLANK	-
31	2	6259401	CAP, GRIP 1.50 OD X 1.27 ID	-
32	2	6259501	RING, GRIP 1.52 OD X 1.30 ID	-
33	2	6235803	SHAFT COLLAR, 3/4 I.D. ZINC	-
34	1	8221201	SHROUD, PSHG WORKBOX - RT	-
35	1	6322301	PLATE, 1.97 OD X .44 ID 10GA	-
36	1	6236204	SCREW, M10 X1.5 35MM	-
37	1	7308701	CAP, BEARING HOUSING	-
38	1	6221701	PLATFORM, PSHG LINEXED	-
39	1	8254501	SHROUD, PSHG WORKBOX - LT	-
40	1	82200XX	LABEL, ASTM WARNING SELECT	-
41	1	6221901	SPACER, PSHG SHAFT	-
42	2	8221601	GUIDE ROD, PSHG 1" DIA CASE HARDENED	-
43	2	8221801	RACK, PSHG PLATFORM	-
44	2	7352101	CUSHION, WEIGHT STACK	-
45	2	6169501	COVER, STACK-PRO2 RECT.	-
46	2	7328605	GUIDE ROD, .75 OD SOLID 52.38	-
47	2	7402301	RETAINER, GUIDEROD	-
48	2	6232421	RING, BRE. 940, 5100-100 ST PP B	-
49	2	6240501	M10 X 1.5 X 20 HXS NO CUP ST BO	-
50	12	6544202	PAD, DUAL LOCK 250 1.5" X 2.0"	-
51	2	6237701	ASSY, PILLOW BLOCK 4.88 X 2.75	-
52	1	6307101	SPACER, PS 1 IN SHAFT X .344	-
53	4	7435301	COLLAR, MTS, SHAFT, 1.020" ID	-
54	1	7423810	CABLE, PSHG 150-1/2	-
55	5	MM-9	3 X 6 FLANGE RUBBER SLIPPER	-
56	2	6179101	CAM FOLLOWER, 1.25" HEXED SEALED	-
57	2	6275901	LABEL, PSHG RACK INSTRUCTION	-
58	2	8275401	LABEL, PSHG 1-10	-
59	1	8224901	LABEL, PSHG LOGO PANEL	-
60	1	8275101	LABEL, PSHG SELECTOR PLATE - LT	-
61	1	8275201	LABEL, PSHG SELECTOR PLATE-RT	-
62	2	6039501	LABEL, WARNING, TRIANGLE, 10-0099-067, BNR	-
63	4	6236211	SCREW, M10 X1.5 70MM	-
64	4	7385201	SPACER, .406 X .750 X .250	-
65	1	82213XX	LABEL, PSHG PLACARD	-
66	1	6488701	LABEL, AXIS OF ROTATION	-

PSHGSE HIP/GLUTE DRIVE PULLEY ASSEMBLY



ITEM NO.	QTY.	PART NO.	DESCRIPTION
1	1	82085XX	WLDMT, PSHG DRIVE PULLEY
2	2	3243401	BEARING, R16-2RS, STD BALL

PSHGSE HIP/GLUTE WORK ARM ASSEMBLY

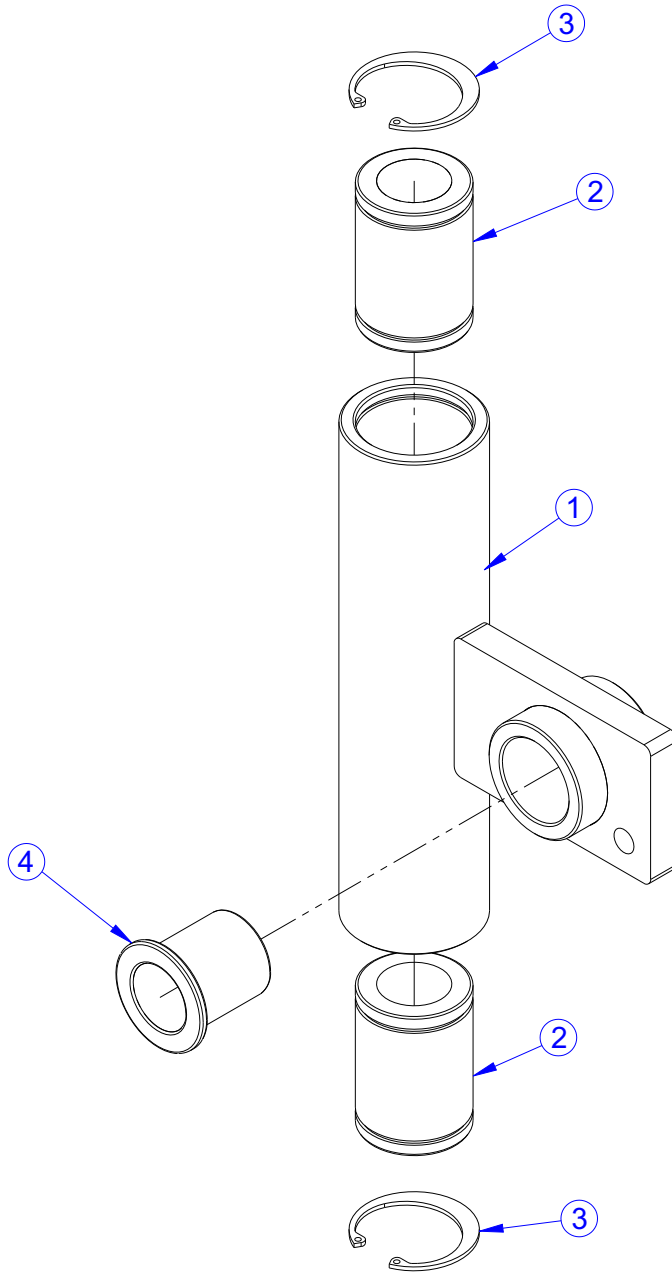


SEE PAGE 7 FOR LEGEND

PSHGSE HIP/GLUTE WORK ARM ASSEMBLY LEGEND

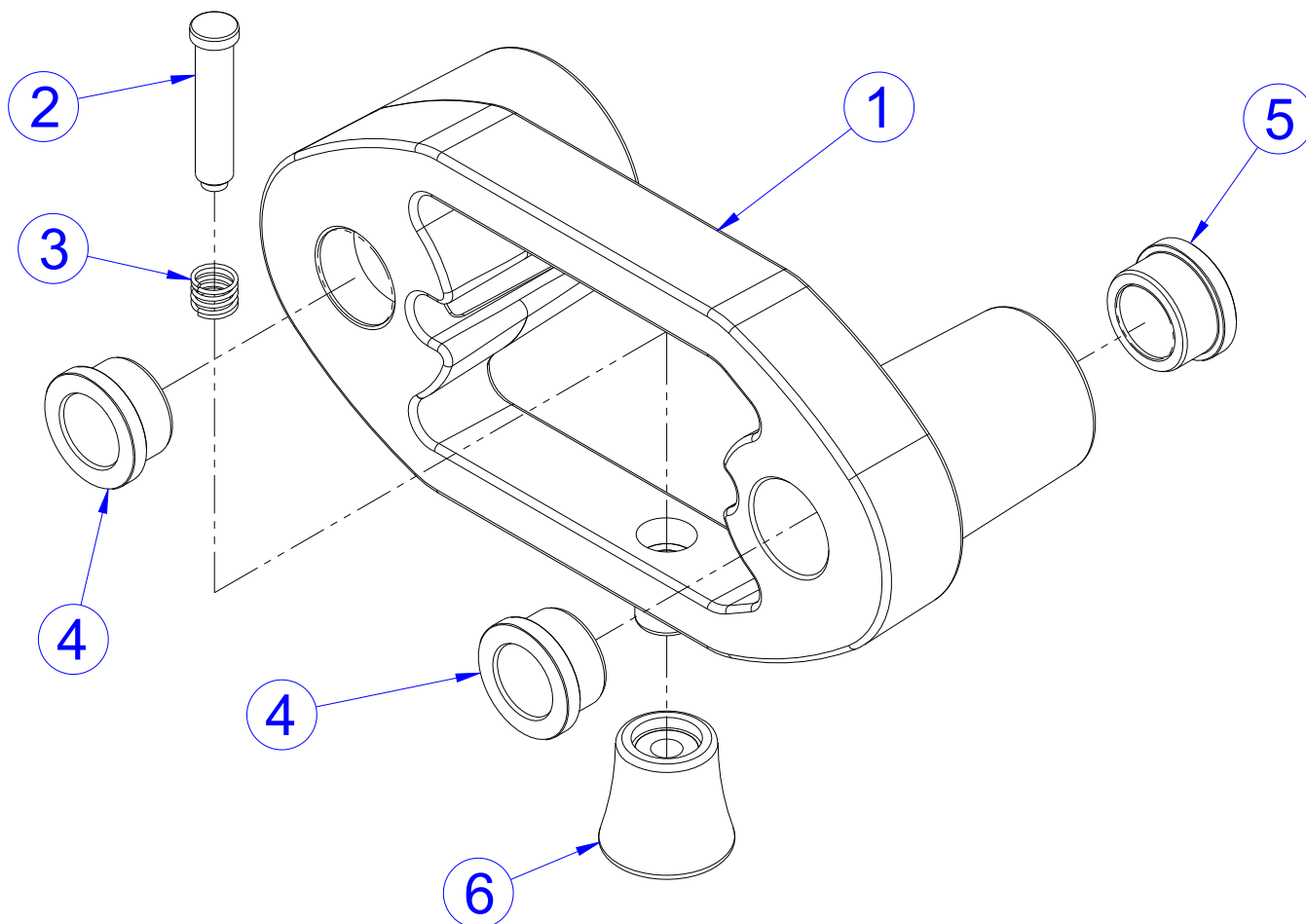
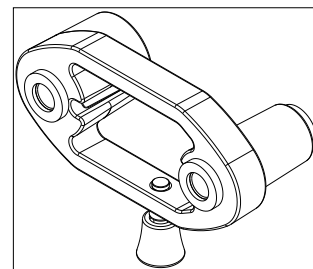
ITEM NO.	QTY.	PART NO.	DESCRIPTION
1	1	8209301	WLDMT, PSHG WORKARM
2	1	7347301	NUT, SPIDER M10 X 1.5
3	1	7357901	SHAFT COLLAR, 1-1/2" ID ALUM
4	2	3104903	1.00" ID 1.25" OD BRONZ BUSHING
5	1	7351301	PIN, PULL X 4.375
6	1	7351501	SPRING; PULL PIN LARGE
7	1	7351401	KNOB, TULIP STYLE
8	1	7802401	WEIGHT, COUNTER MED
9	1	7352301	CAP, END 2 X 3
10	2	3236601	WASHER, 3/8 SAE SS
11	2	3236205	SCREW, M10 X1.5 40MM
12	1	3119306	CAP, END 1.50 DIA RD 8-12 GA

PSHGSE HIP/GLUTE LINEAR BEARING HOUSING ASSEMBLY



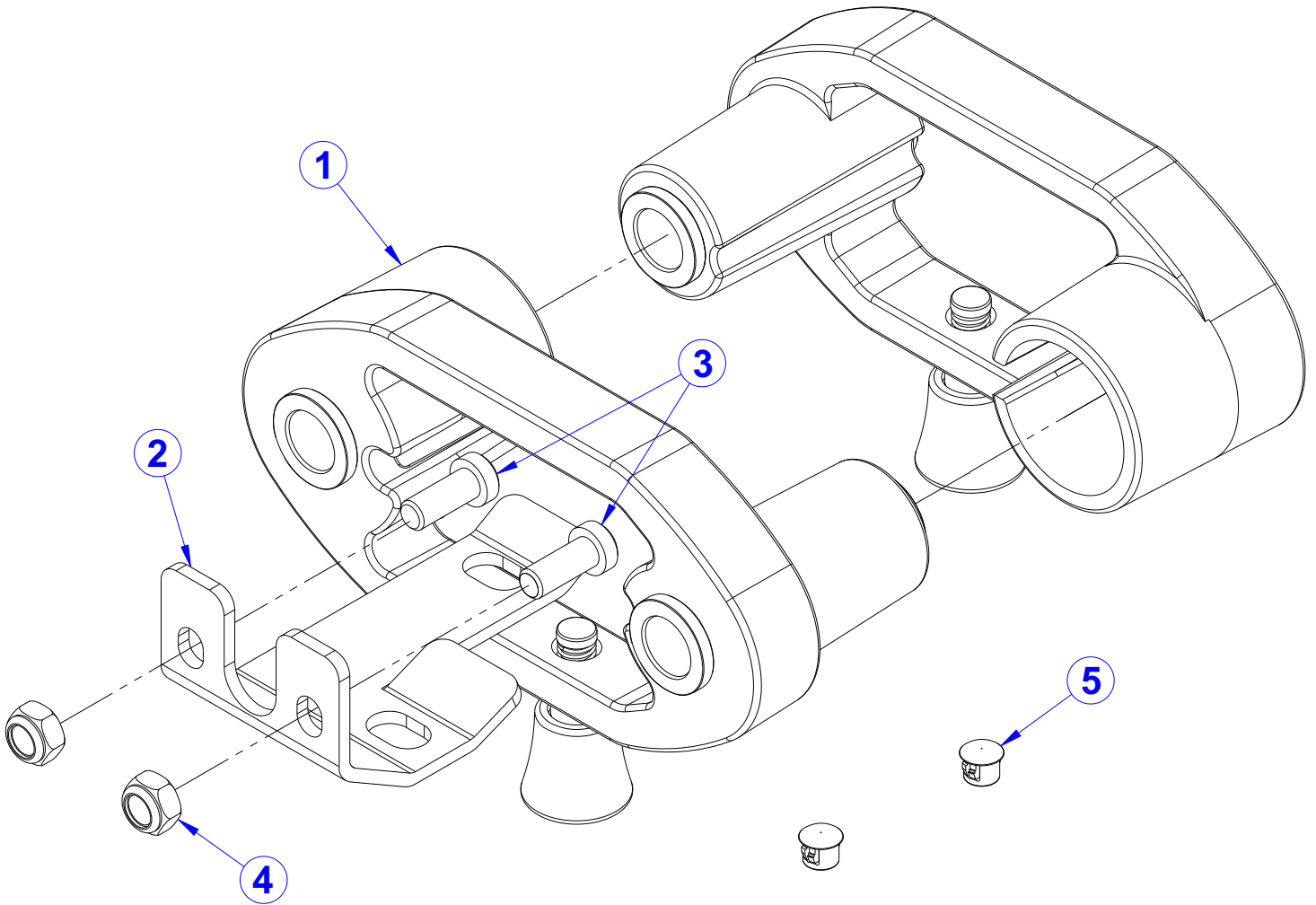
ITEM NO.	QTY.	PART NO.	DESCRIPTION
1	1	83320XX	WLDMT, PSHG LINEAR BEARING
2	2	3245601	BEARING, LINEAR 1" ID
3	2	3202601	RET RING, INT 1-3/4 DIA X1/16
4	1	3104909	BEARING, FLG 1.00 ID X 1.25 OD X 1.50 L

PSHGSE HIP/GLUTE 5LB. INCREMENT WEIGHT ASSEMBLY - 8047001



ITEM NO	QTY	PART NO	DESCRIPTION
1	1	8047001	BODY, PS INCREMENT WEIGHT
2	1	7446901	PIN, RETAINING
3	1	7447001	SPRING, COMPRESSION
4	2	8045001	BEARING, INCREMENT WEIGHT
5	1	8048201	BEARING, PS, INCREMENT WEIGHT
6	1	8048001	KNOB, TULIP STYLE

PSHGSE HIP/GLUTE INCREMENT WEIGHT W/STRIKER ASSEMBLY - 8868601

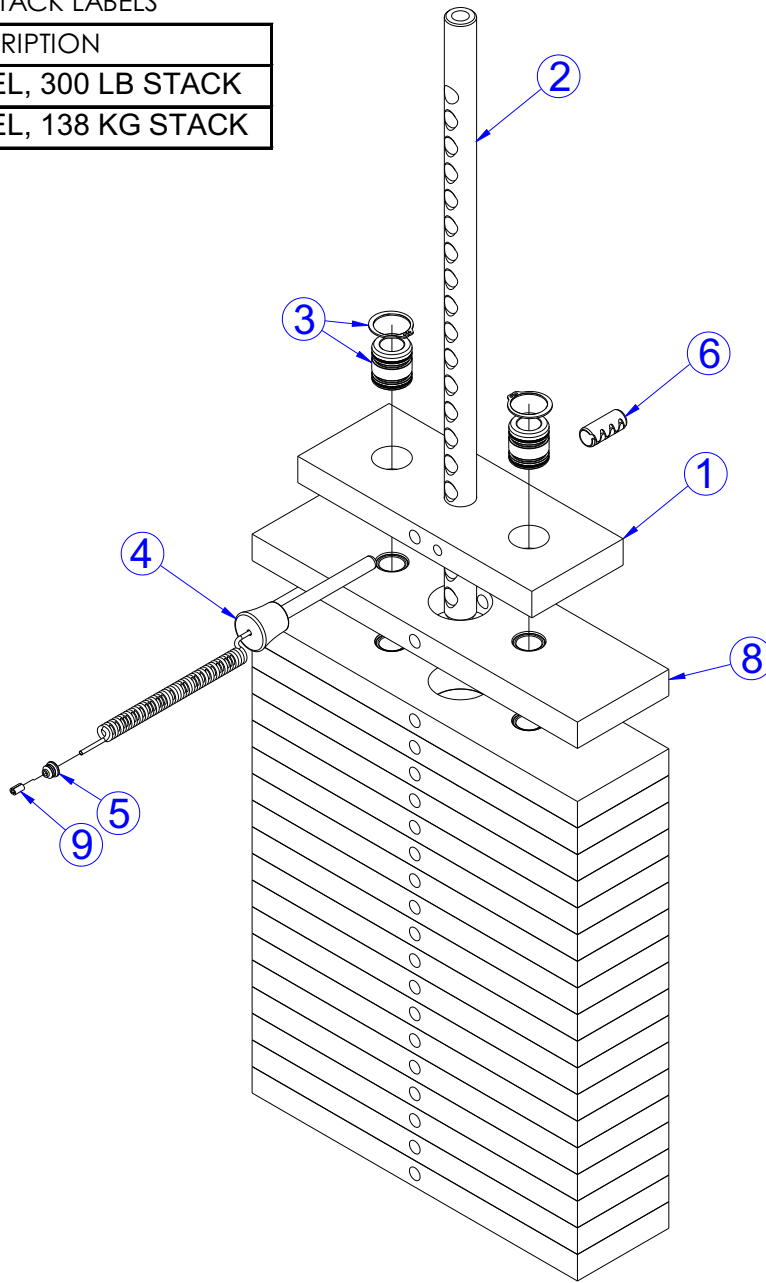
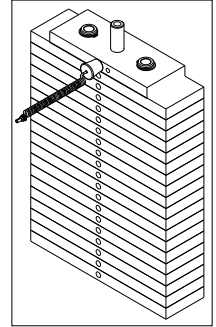


ITEM NO.	QTY.	PART NUMBER	DESCRIPTION
1	2	8047001	ASSY, PS, INCREMENT WEIGHT
2	1	1012781-0001	PLATE, INCR. WT STRIKER
3	2	3236202	SCREW, M10 X1.5 25MM
4	2	3236801	NUT, M10 HEX NYLOCK SS
5	2	3237401	PLUG, 7/16" HOLE

PSHGSE HIP/GLUTE WEIGHT STACK ASSY 300LB

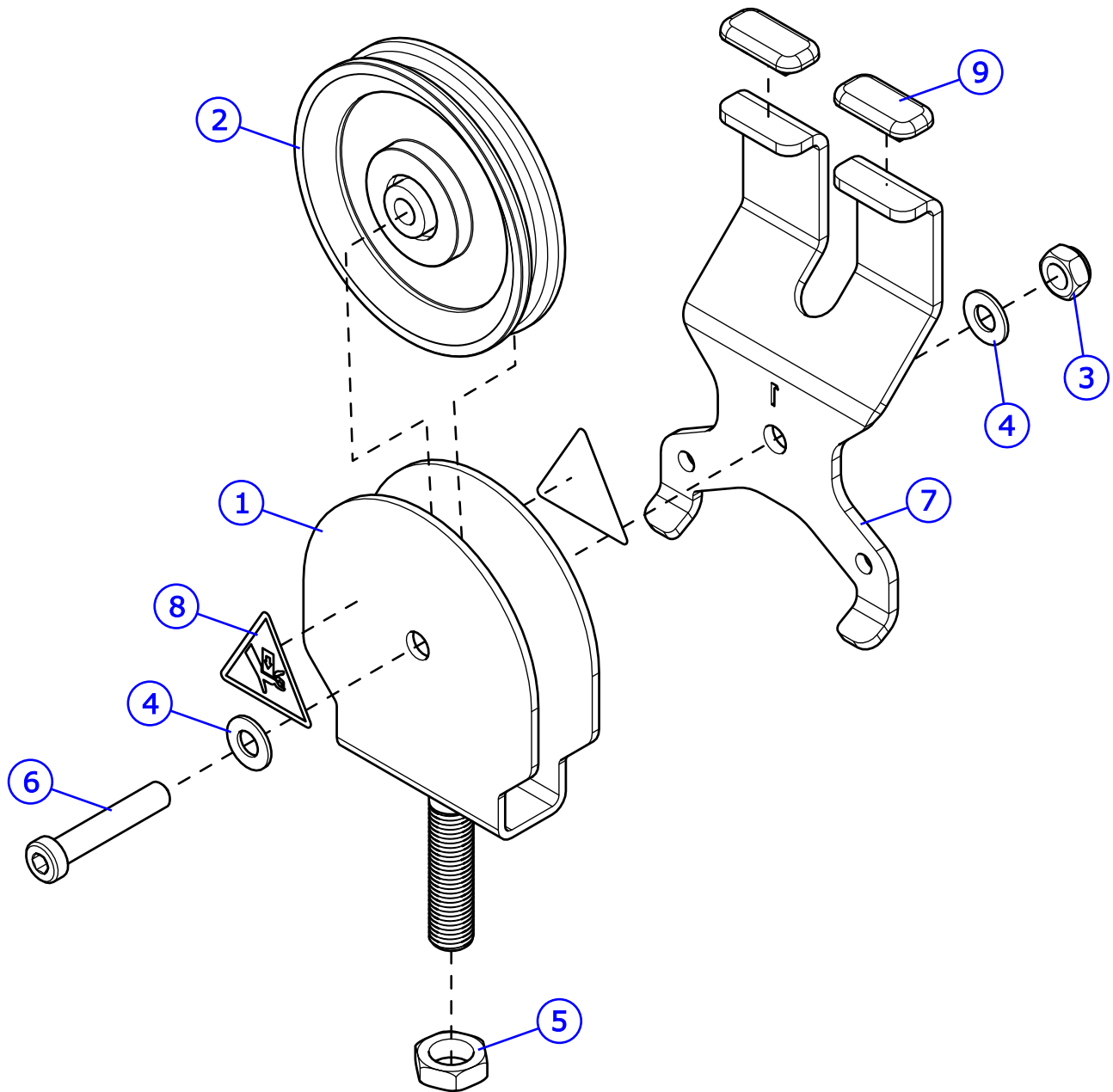
WEIGHT STACK LABELS

PART NO.	DESCRIPTION
7987201	LABEL, 300 LB STACK
7987401	LABEL, 138 KG STACK



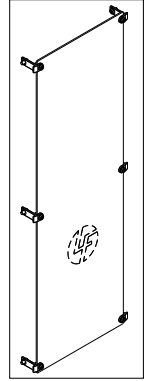
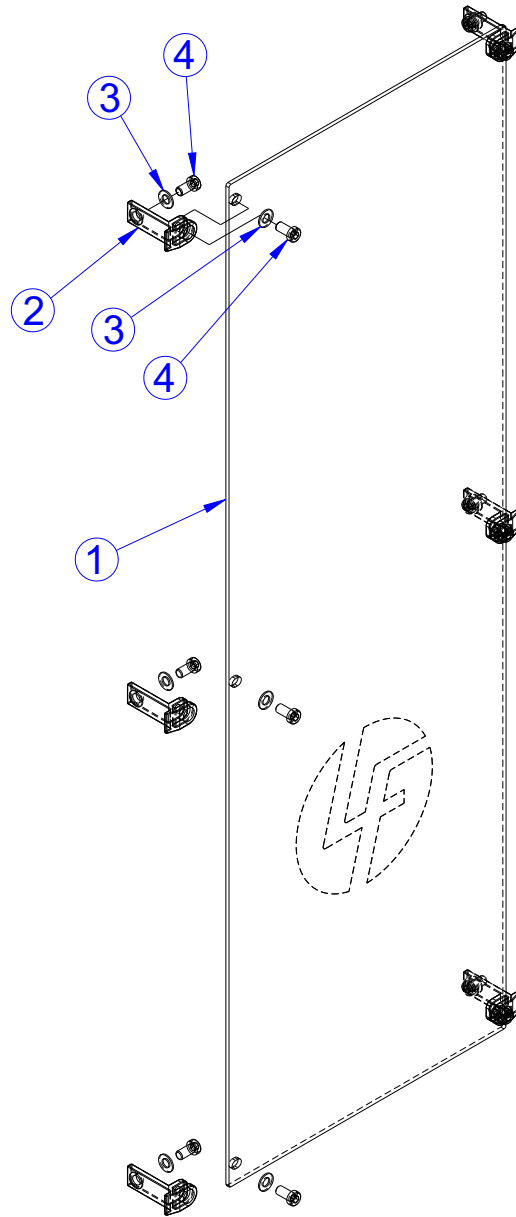
ITEM NO.	QTY.	PART NO.	DESCRIPTION
1	1	7353901	HEADPLATE, WT. STACK
2	1	7356600	STEM, PRO2 19 HOLE
3	2	7338001	BUSHING, HEADPLATE
4	1	7353001	ASSY, SELECTOR PIN
5	1	7356501	PLUG, LANYARD ATTACHMENT
6	1	3236001	BUSHING, SPRING PIN
8	19	7353801	ASSY, 15 LB PLATE
9	1	7523601	CRIMP, CABLE

PSHG HIP/GLUTE WEIGHT STACK PULLEY ASSEMBLY



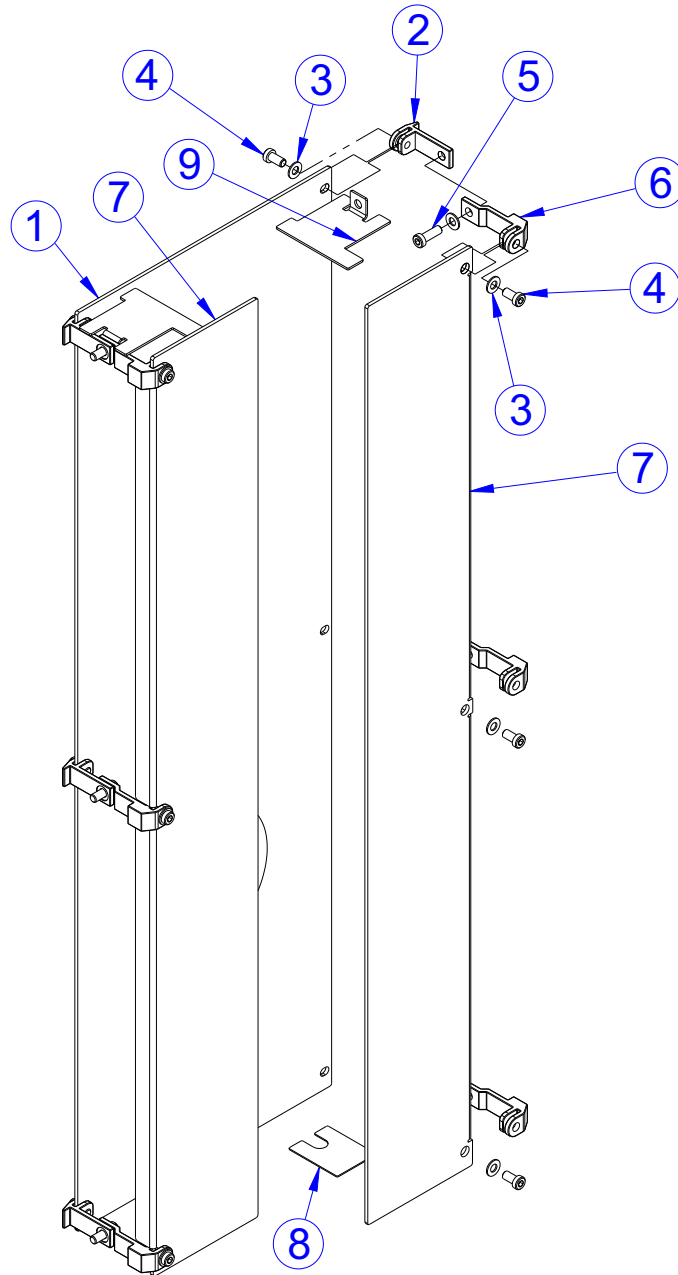
ITEM NO.	QTY	PART NUMBER	DESCRIPTION
1	1	1013240-9301	WELDMENT: FLOATING SINGLE PULLEY -HWG
2	1	3237801	PULLEY, 1/4 IN CABLE (T3), 4.5 IN OD
3	1	3236801	NUT, M10 HEX NYLOCK SS
4	2	3236601	WASHER, 3/8 SAE SS
5	1	3236902	NUT, HEX JAM M16 X 2 SS
6	1	3236208	SCREW, M10 X1.5 55MM
7	1	1013925-9301	BRACKET: INC WEIGHT, SNGL PULLEY, 7 GA
8	2	8039501	LABEL, WARNING, TRIANGLE, 10-0099-067, BNR
9	2	7570801	GUARD, PAINT 1.25 x .75 x .25

PSHGSE HIP/GLUTE REAR SHROUD KIT STD-MED - 7415202



ITEM NO.	QTY.	PART NO.	DESCRIPTION
1	1	7376802	SHIELD, PS REAR
2	6	7655301	BRACKET, PS REAR SHIELD
3	12	3236601	WASHER, 3/8 SAE SS
4	12	3236201	SCREW, M10 X1.5 20MM

PSHGSE HIP/GLUTE OPTIONAL FULL SHROUD KIT STD-MED - 7539602



ITEM NO.	QTY.	PART NO.	DESCRIPTION
1	1	7376802	SHIELD, PS REAR
2	6	7655301	BRACKET, PS REAR SHIELD
3	18	3236601	WASHER, 3/8 SAE SS
4	12	3236201	SCREW, M10 X1.5 20MM
5	6	3236203	SCREW, M10 X1.5 30MM
6	6	7376601	BRACKET, PS FRONT SHIELD
7	2	7376902	SHIELD, PS - FRONT
8	2	7570901	PLATE, PS SHIELD STAND-OFF
9	2	7657401	PLATE, PRO2 SHROUD SPCR

PSHGSE HIP/GLUTE
IMAGE

