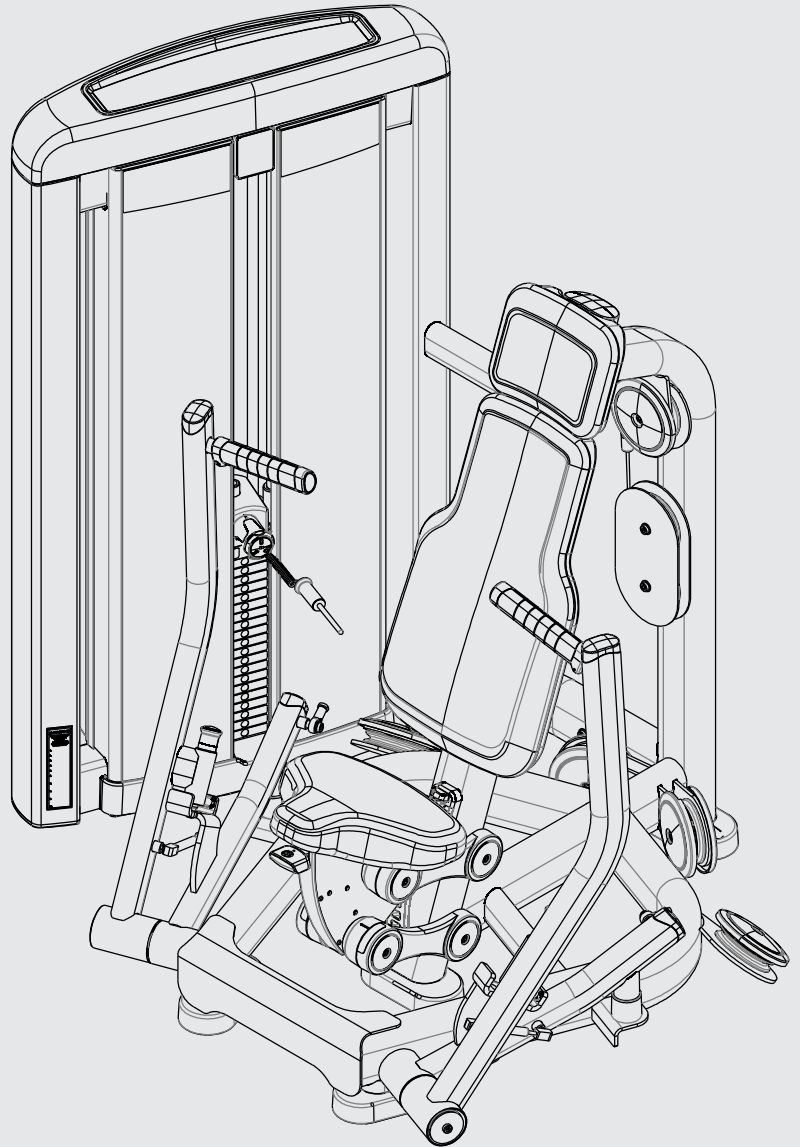


INSIGNIA SERIES
CHEST PRESS
SS-CP
PARTS MANUAL



Insignia Series Chest Press

Contents

Options and Key	3
Powder Coat Painted Frame Weldments	4
Component Assembly	5
Labels	6
Table	7
Seat Assembly	8
Tower Plastics	9
Shroud Wraps	10
Weight Stack Assemblies	11
T Trim Head Plate and Drop Down Increment Weights	12
C and X Trim Stack Components	13
C and X Trim Head Plate Assemblies	14
C and X Trim Incremental Weights	15
Grip Assemblies	16
Sensor Assemblies	17

Insignia Series Chest Press

Options and Key

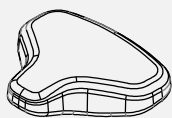
FRAME OPTION

SELECT POWDERCOAT COLOR

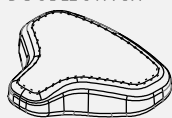
- WHITE
- PLATINUM
- BLACK
- MIDNIGHT METALLIC
- NICKEL
- ICE BLUE METALLIC
- RED
- BLUE
- YELLOW
- CANDY APPLE RED
- ELECTRIC BLUE
- CHARCOAL
- MOCHA SAND
- TITANIUM
- DIAMOND WHITE
- CUSTOM

UPHOLSTERY OPTION

SINGLE STITCH



DOUBLE STITCH



SELECT UPHOLSTERY COLOR

- BLACK
- ROYAL BLUE
- SLATE
- CRANBERRY
- NORTHWOODS GREEN
- SPACE BLUE
- AMERICAN BEAUTY RED
- SUEDE
- HUNTER GREEN
- REGIMENTAL BLUE
- CONCORD
- TURQUOISE
- CROCUS
- AZURE
- WHEAT
- GRAPHITE
- GROTTO
- JADE
- EMERALD
- CANDLY APPLE RED
- BURGUNDY
- PLUM
- NAVY
- IMPERIAL BLUE
- CHESTNUT
- PAPRIKA
- TERRA COTTA
- DOVE GRAY
- PUTTY
- GUN METAL
- CUSTOM

LANGUAGE OPTION

SELECT LANGUAGE

- 01 ENGLISH
- 02 GERMAN
- 03 FRENCH
- 04 SPANISH
- 05 ITALIAN
- 06 DUTCH
- 07 JAPANESE
- 08 PORTUGUESE
- 10 RUSSIAN
- 11 TURKISH
- 12 CHINESE
- 13 ARABIC

WEIGHT STACK OPTION

- T - BASE STACK
- C - LIGHT STACK
- X - HEAVY STACK
- POUNDS
- KILOGRAMS

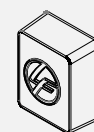
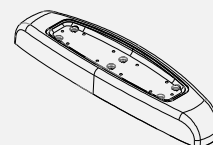
SHROUD WRAP OPTION

- FULL SHROUD
- BAMBOO
- SKY
- BRONZE
- STEM
- ROSEWOOD
- STAINLESS STEEL

TRIM OPTION

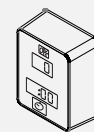
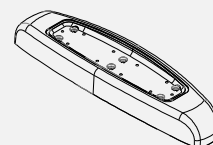
S

PLASTIC TOWER CAP
STANDARD GRIP
NO REP COUNTER



L

PAINTED CAST TOWER CAP
ERGO GRIP
REP COUNTER



KEY

LANGUAGE ① ② ③

Items with Black call-outs require the last two digits (XX) to be replaced with language codes listed above. IE: 12345XX should be 1234501 for English.

UPHOLSTERY ① ② ③

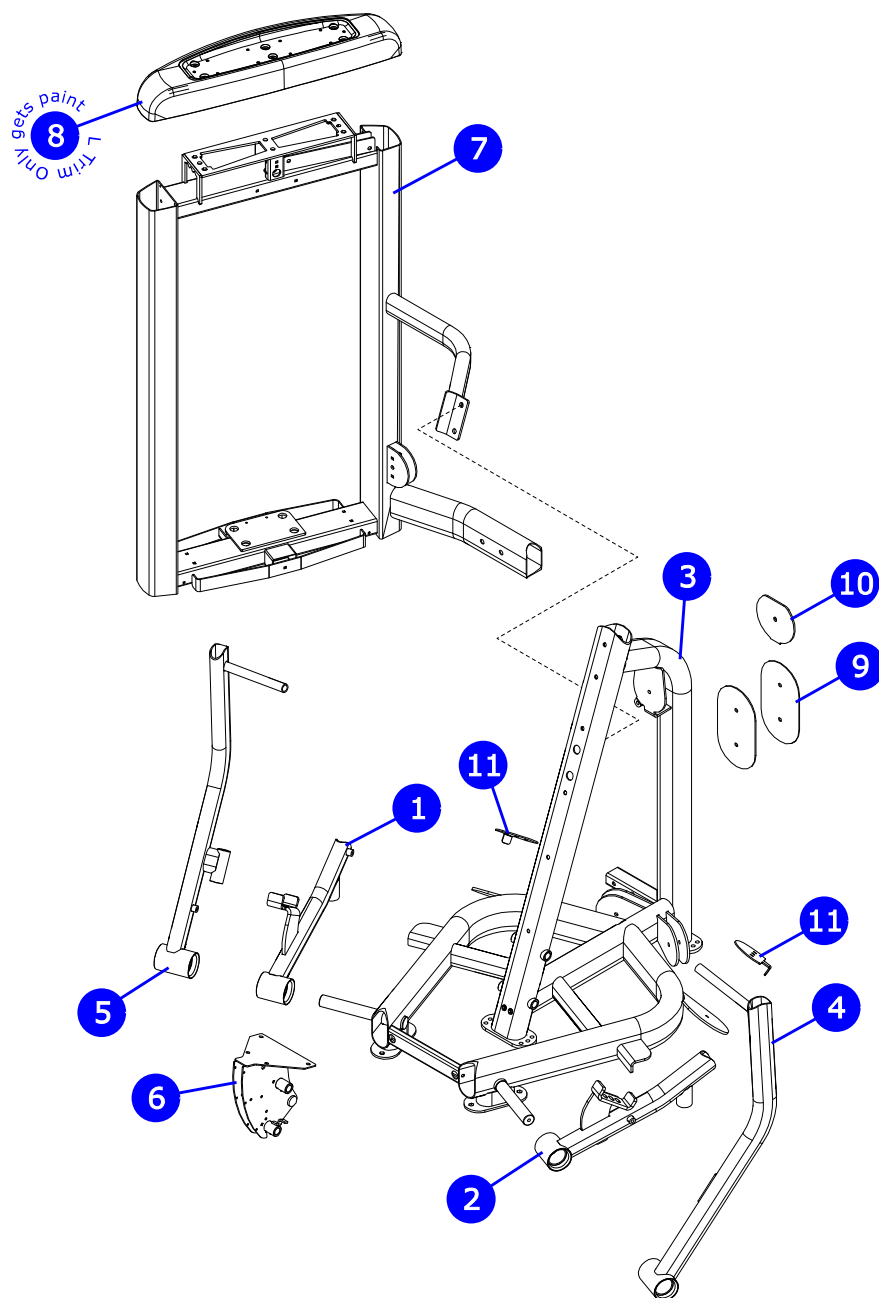
Items with Gray call-outs require the upholstery color within the order notes. IE: Putty.

FRAME COLOR ① ② ③

Items with Blue call-outs require the powder coat frame color to be within the order notes.

Insignia Series Chest Press

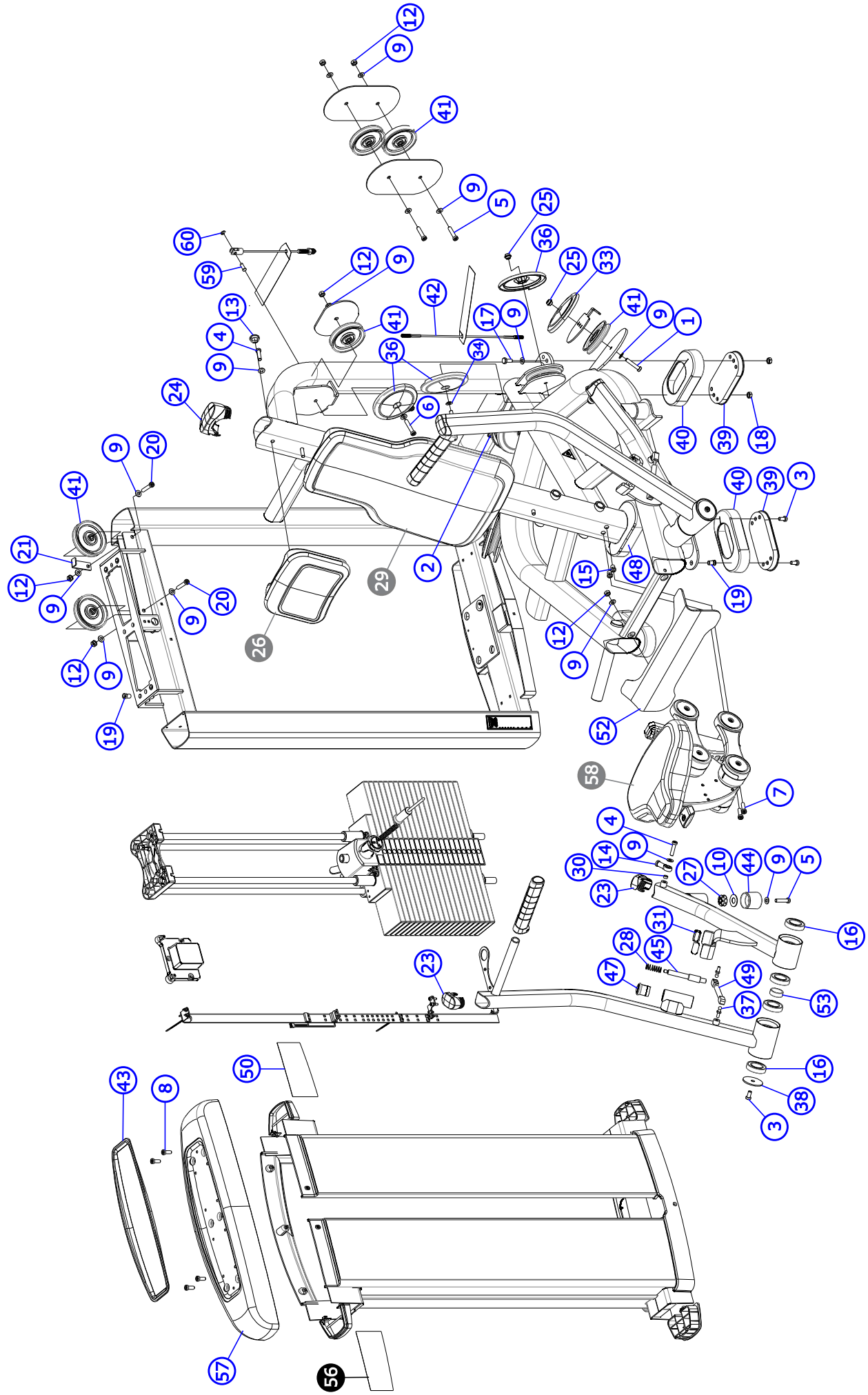
Powder Coat Painted Frame Weldments



ITEM NO.	QTY.	PART NO.	DESCRIPTION	TRIM	
1	1	9360999	WLDMT, MID ARM, RT	S	L
2	1	9361099	WLDMT, MID ARM, LT	S	L
3	1	POSSIBLE RMA	WLDMT, SS-CP, FRAME	S	L
4	1	9362099	WLDMT, PRESS ARM, LT	S	L
5	1	9362299	WLDMT, PRESS ARM, RT	S	L
6	1	9401299	WLDMT, SS-FRONT SEAT SUPPORT	S	L
7	1	POSSIBLE RMA	WLDMT, SS-CP, TWR	S	L
8	1	9412699	CAP, SS, CAST, PAINTED	-	L
9	2	9318999	PLATE, PULLEY, FLOATING	S	L
10	1	9503399	PLATE, PULLEY COVER	S	L
11	2	7730999	BRKT, COVER/CABLE RETAINER	S	L

ITEMS ON THIS PAGE ARE POWDER COAT PAINTED. REFER TO PAGE 3 FOR ORDERING INSTRUCTIONS.

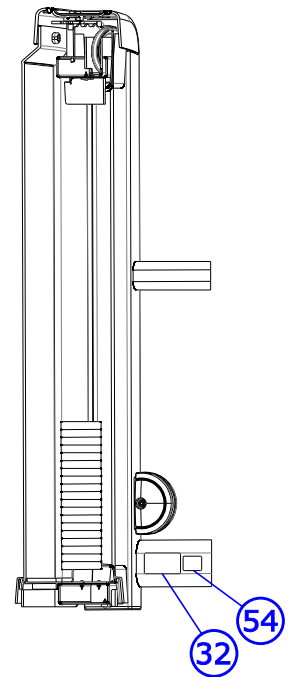
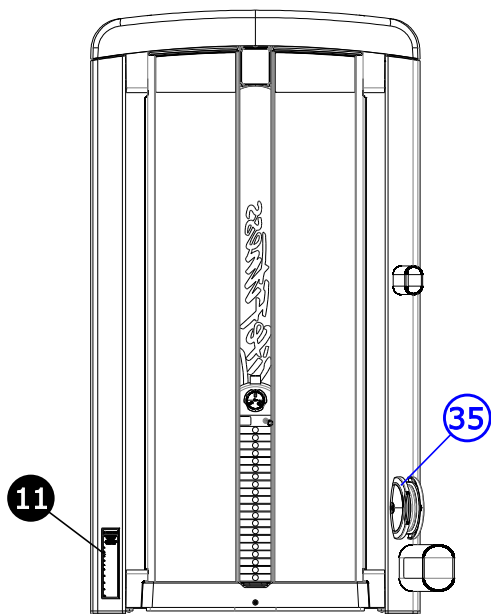
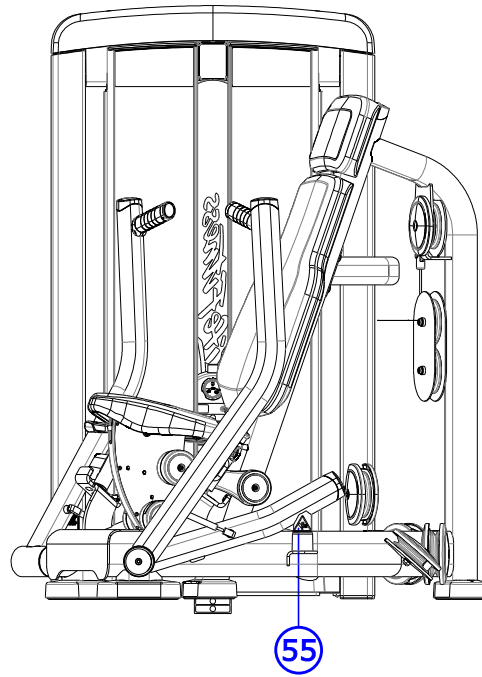
Insignia Series Chest Press Component Assembly



See page 7 for table

Insignia Series Chest Press

Labels



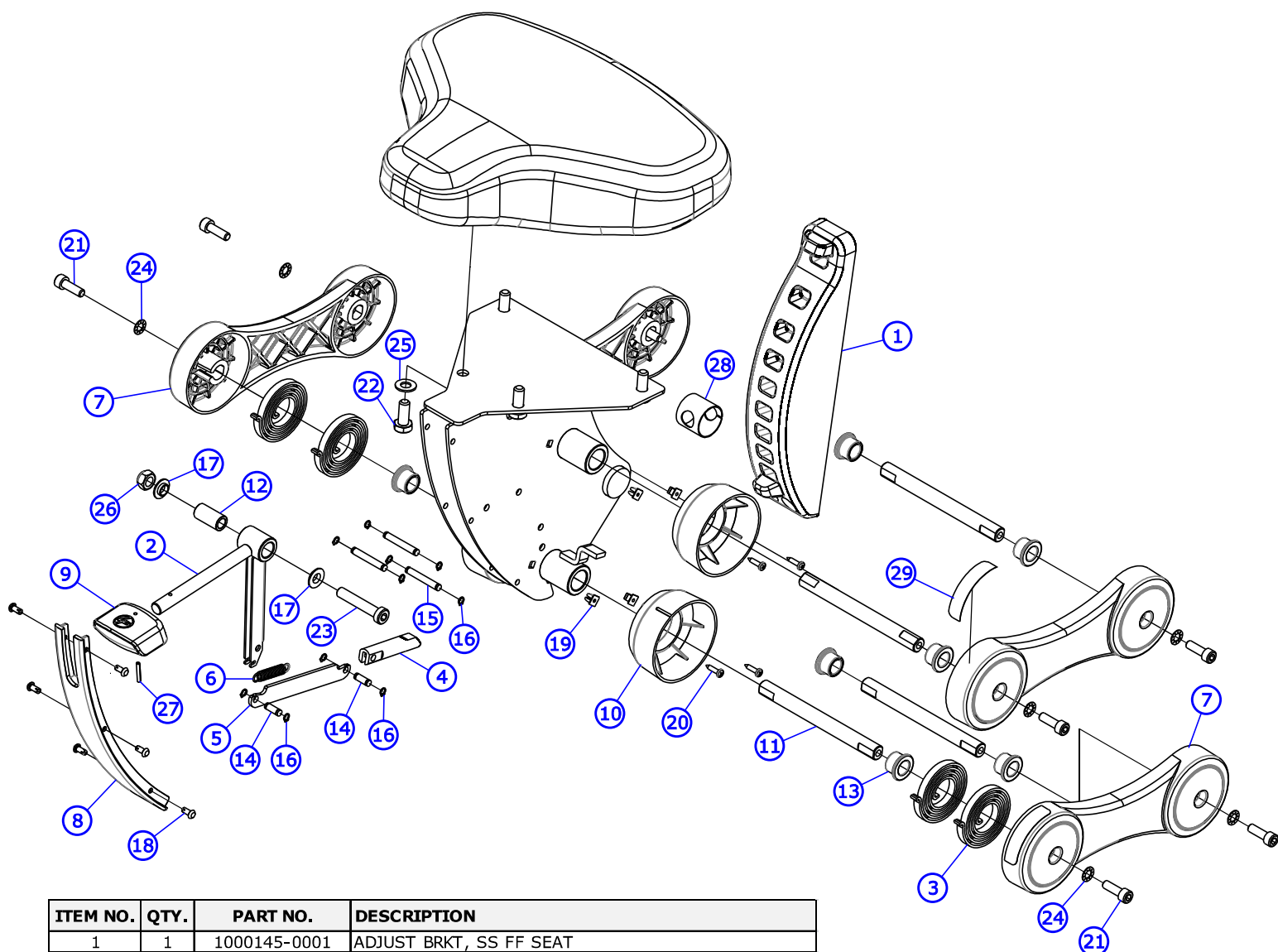
See page 7 for table

Insignia Series Chest Press Table

ITEM NO.	QTY.	PART NO.	DESCRIPTION	TRIM	
1	4	3236207	SCREW, M10 X1.5 50MM	S	L
2	2	3236211	SCREW, M10 X1.5 70MM	S	L
3	9	3236201	SCREW, M10 X1.5 20MM	S	L
4	6	3236205	SCREW, M10 X1.5 40MM	S	L
5	4	3236206	SCREW, M10 X1.5 45MM	S	L
6	2	3236208	SCREW, M10 X1.5 55MM	S	L
7	2	3236204	SCREW, M10 X1.5 35MM	S	L
8	4	3236202	SCREW, M10 X1.5 25MM	S	L
9	30	3236601	WASHER, 3/8 SAE SS	S	L
10	2	9455101	SHIM, 1.75" X .44"	S	L
11	1	8220001	LABEL, ASTM, SELECT VERT	S	L
12	7	3236801	NUT, M10 HEX NYLOCK SS	S	L
13	6	3237407	PLUG, 1" HOLE	S	L
14	2	3237901	ROD END, METRIC FEMALE	S	L
15	4	3238601	M10X1.5 BLIND THREADED INSERT (HEX)	S	L
16	8	3243201	BEARING, 6007 BALL	S	L
17	4	3251202	SCREW, M10 X1.5 X 25MM UNS HEX CS ST ZN	S	L
18	4	3254703	NUT, M10 X 1.5 HEX ZINC	S	L
19	8	3275401	M10X1.5 BLIND THREADED INSERT (HEX) -HVY	S	L
20	2	3275507	SCREW, M10 X 1.5 X 50 SHCS, LOW HEAD -NO PATCH	S	L
21	1	6757701	CLIP, CABLE 2-7/8 X 1 X 1	S	L
23	4	7333802	CAP, SMALL FLOV- END	S	L
24	1	7333902	CAP, LARGE FLOV- END	S	L
25	7	7335401	NUT, M10 X 1.5 SOCKET HEAD	S	L
26	1	1000017-0101	PAD, HEAD REST BLK, DBL STITCH	S	L
		1000017-0001	PAD, HEAD REST BLK, SNGL STITCH		
		1000017-0199	PAD, HEAD REST CUS, DBL STITCH		
		1000017-0099	PAD, HEAD REST CUS, SNGL STITCH		
27	2	7347301	NUT, SPIDER M10 X 1.5	S	L
28	1	7351502	SPRING, PULL PIN LARGE	S	L
29	1	1000018-0101	PAD, LARGE BACK BLK, DBL STITCH	S	L
		1000018-0001	PAD, LARGE BACK BLK, SNGL STITCH		
		1000018-0199	PAD, LARGE BACK CUS, DBL STITCH		
		1000018-0099	PAD, LARGE BACK CUS, SNGL STITCH		
30	4	7489402	BSHNG, .500 OD X .402 ID X .235	S	L
31	4	7570802	GUARD, PAINT 1.25"x.75"x.25" BLK	S	L
32	1	-	LABEL, SERIAL NUMBER	S	L
33	2	8102902	COVER, PULLEY- BOLTED FULL	S	L
34	4	7776401	SPACER, FLANGE .406 X .495 X .81	S	L
35	2	8094102	COVER, PULLEY-BOLTED PARTIAL -CHGR	S	L
36	5	8104502	COVER, PULLEY-BOLTED NOTCHED	S	L
37	4	8616501	BALL STUD, GAS SPRING	S	L
38	2	8722528	PLATE, SPL STEEL COVER - SG	S	L
39	4	9319301	FOOT, 2.50 X 4.49 FLOV	S	L
40	3	9319401	COVER, FOOT - STRAIGHT	S	L
41	10	9319901	PULLEY, 3/16 IN CABLE (T2), 4.5 IN OD	S	L
42	1	9343203	CABLE, SS, TS, TS	S	L
43	1	9411201	TRAY, TOWER TOP CAP	S	L
44	2	9414501	BUMPER, HARD STOP	S	L
45	2	1000103-0001	PIN, PULL	S	L
47	2	9454703	KNOB, ADJ	S	L
48	1	9461401	COVER, FOOT - 20 deg	S	L
49	2	9473201	GAS SPRING, 150N	S	L
50	1	9476401	LABEL, SS-CP PLACARD	S	L
52	1	9478628	WLDMT, FOOT GUARD	S	L
53	2	9484701	SPACER, INTERNAL X .530	S	L
54	1	9488901	LABEL, INSIGNIA, FCC	S	L
55	1	8039501	LABEL, WARNING, TRIANGLE	S	L
56	1	9464899	LABEL, SS-CP PLACARD, LH	S	L
57	1	9436701	CAP, TOWER, TOP, PLASTIC	S	-
58	1	1000016-0101	PAD, SEAT SADDLE BLK, DBL STITCH	S	L
		1000016-0001	PAD, SEAT SADDLE BLK, SNGL STITCH		
		1000016-0199	PAD, SEAT SADDLE CUS, DBL STITCH		
		1000016-0099	PAD, SEAT SADDLE CUS, SNGL STITCH		
59	1	8669401	PIN, CABLE CLEVIS	S	L
60	1	3221701	E-RING, EXTERNAL 3/8	S	L

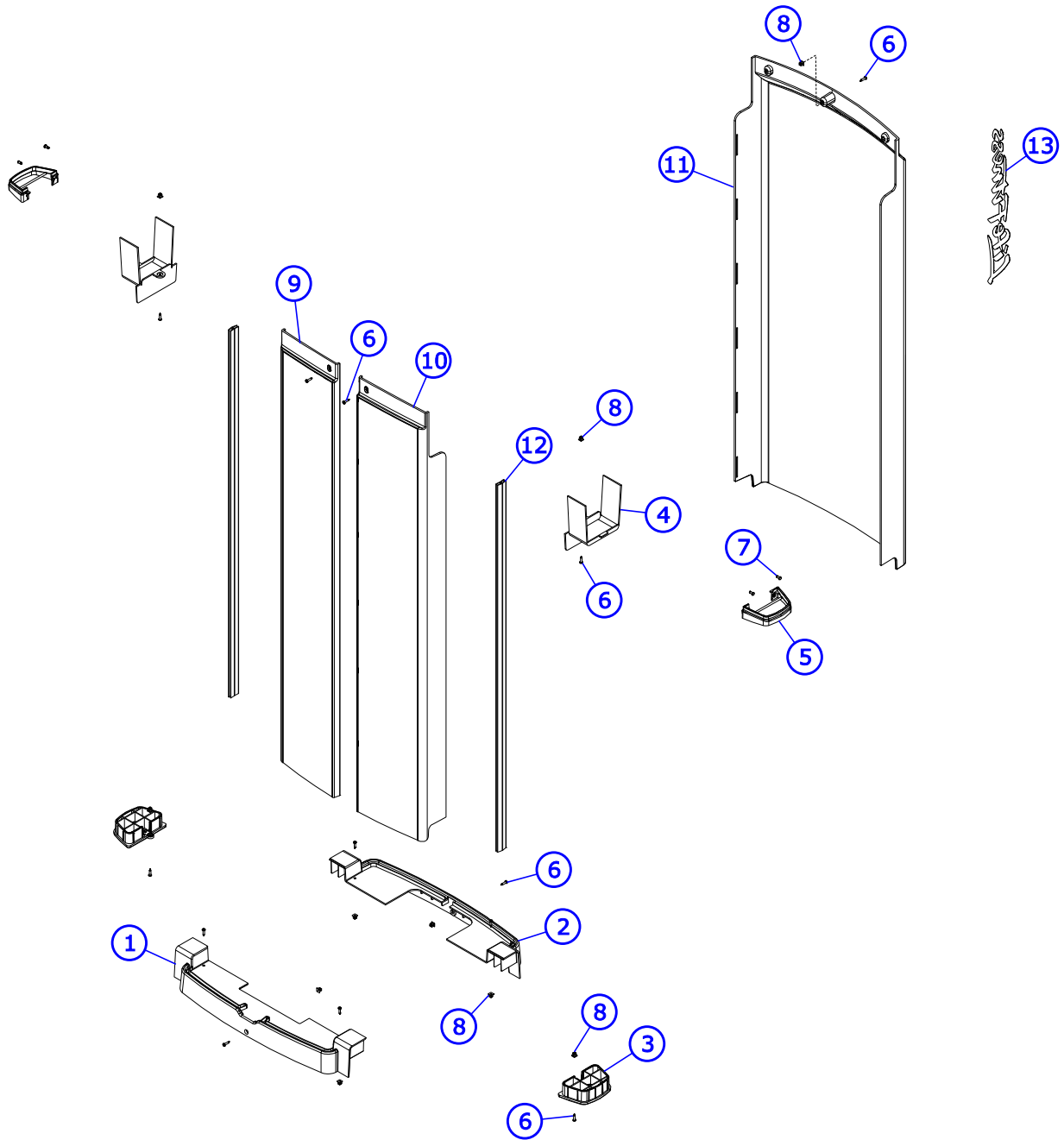
Insignia Series Chest Press

Seat Assembly



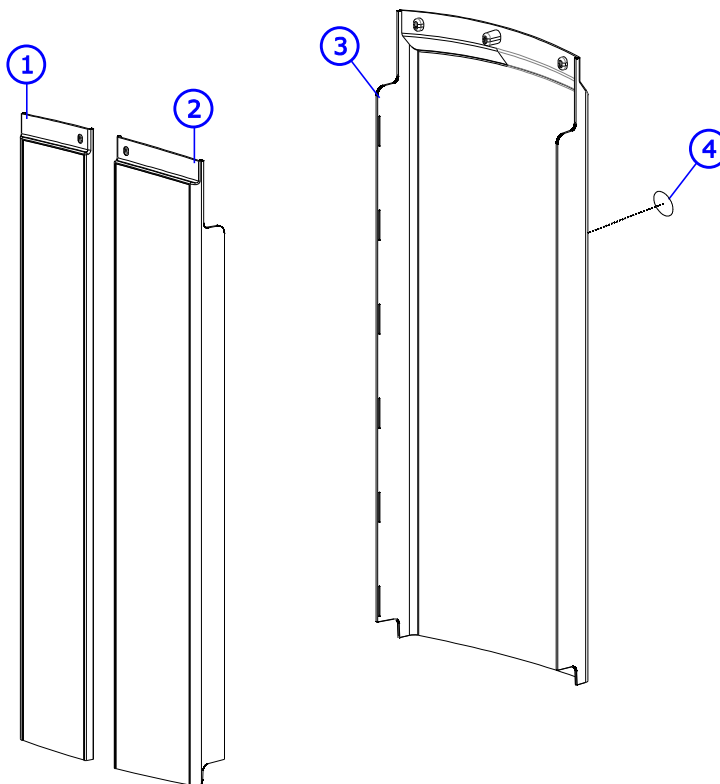
ITEM NO.	QTY.	PART NO.	DESCRIPTION
1	1	1000145-0001	ADJUST BRKT, SS FF SEAT
2	1	9401428	WLDMT, SS-FRONT SEAT HANDLE CHR
3	4	9365401	SPRING, SPIRAL TORSION
4	1	9401101	PULLPIN, SS-SEAT
5	1	9401001	PLATE, SS-SEAT HANDLE CONNECT
6	1	3239201	SPRING, EXT, .375 X .049 X 2.00
7	4	9365228	SEAT LINK, CAST, CHR
8	1	9402201	GUARD, SS-SEAT
9	1	9402503	HANDLE, SS-SEAT
10	4	9402801	RING, SS-SEAT
11	4	9448401	SHAFT, SS-SEAT, 15MM
12	1	7776501	SHAFT, .625 X .406 X 1.200
13	8	3275004	BEARING, FLANGE, METRIC 15MM
14	2	7407501	PIN, LINK
15	3	7407502	PIN, LINK
16	10	3232401	RING, RETAINING, EXTERNAL
17	2	7776401	SPACER, FLANGE .406 X .495 X .81
18	6	0017-00101-1587	RVT 201X0413X.354 T NY NO
19	8	0017-00042-1147	GROMMET: SCREW; 8 OR 10
20	8	3275801	SCREW, 8 X 3/4 DIN PHL PAN AB ST ZB
21	8	3276202	SCREW, M8 X1.25 X 25MM
22	4	3251202	SCREW, M10 X1.5 X 25MM UNS HEX CS ST ZN
23	1	3275508	SCREW, M10 X 1.5 X 55 SHCS, LOW HEAD -NO PATCH
24	8	3239502	WSH, .312 IN-D ST ZN
25	4	3236601	WASHER, 3/8 SAE SS
26	1	3236801	NUT, M10 HEX NYLOCK SS
27	1	3110010	ROLL PIN, 1/8 X 7/8
28	1	9485701	PAINT GUARD, PIN HOUSING
29	1	9480601	LABEL; SEAT POSITION, LARGE

Insignia Series Chest Press Tower Plastics



ITEM NO.	QTY.	PART NO.	DESCRIPTION
1	1	9410801	COVER, TOWER BOTTOM -FRONT
2	1	9411001	COVER, TOWER BOTTOM -REAR
3	2	9412701	ASSY, TRAP TUBE, CAP, BOTTOM
4	2	9415701	COVER, UPPER CROSS MEMBER
5	2	9415801	GASKET, TRAP TUBE
6	13	3275801	SCREW, 8 X 3/4 DIN PHL PAN AB ST ZB
7	4	0017-00101-1587	RVT 201X0413X.354 T NY NO
8	11	0017-00042-1147	GROMMET: SCREW; 8 OR 10
9	1	9410601	SHROUD, TOWER FRONT, LT - SHORT
10	1	9410701	SHROUD, TOWER FRONT, RT - SHORT
11	1	9411101	SHROUD, TOWER REAR - SHORT
12	2	9414601	SHROUD EXTRUSION - SHORT
13	1	9489101	LABEL, LIFE FITNESS

Insignia Series Chest Press Shroud Wraps

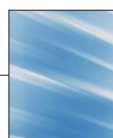


ITEM	QTY.	PART NO.	DESCRIPTION
1	1	9511802	SHROUD, SS, FNT, LT, SRT-BAM
2	1	9511702	SHROUD, SS, FNT, RT, SRT-BAM
3	1	9511902	SHROUD, SS, REAR, SRT-BAM
4	1	AK58-00245-2401	MEDALLION-ASSY;LF-BUG B



BAMBOO

ITEM	QTY.	PART NO.	DESCRIPTION
1	1	9511803	SHROUD, SS, FNT, LT, SRT-SKY
2	1	9511703	SHROUD, SS, FNT, RT, SRT-SKY
3	1	9511903	SHROUD, SS, REAR, SRT-SKY
4	1	AK58-00245-2401	MEDALLION-ASSY;LF-BUG B



SKY

ITEM	QTY.	PART NO.	DESCRIPTION
1	1	9511804	SHROUD, SS, FNT, LT, SRT-BRZ
2	1	9511704	SHROUD, SS, FNT, RT, SRT-BRZ
3	1	9511904	SHROUD, SS, REAR, SRT-BRZ
4	1	AK58-00245-2401	MEDALLION-ASSY;LF-BUG B



BRONZE

ITEM	QTY.	PART NO.	DESCRIPTION
1	1	9511805	SHROUD, SS, FNT, LT, SRT-STM
2	1	9511705	SHROUD, SS, FNT, RT, SRT-STM
3	1	9511905	SHROUD, SS, REAR, SRT-STM
4	1	AK58-00245-2401	MEDALLION-ASSY;LF-BUG B



STEM

ITEM	QTY.	PART NO.	DESCRIPTION
1	1	9511806	SHROUD, SS, FNT, LT, SRT-RSW
2	1	9511706	SHROUD, SS, FNT, RT, SRT-RSW
3	1	9511906	SHROUD, SS, REAR, SRT-RSW
4	1	AK58-00245-2401	MEDALLION-ASSY;LF-BUG B



ROSEWOOD

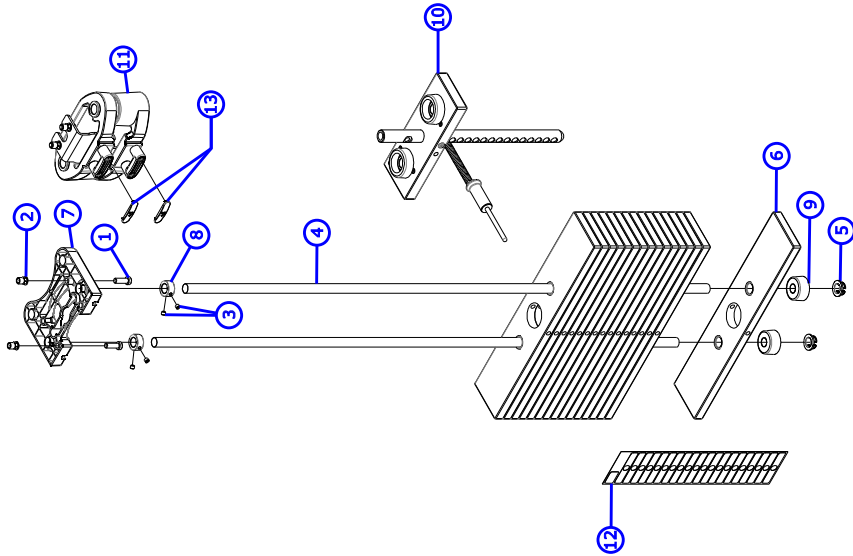
ITEM	QTY.	PART NO.	DESCRIPTION
1	1	9511807	SHROUD, SS, FNT, LT, SRT-SS
2	1	9511707	SHROUD, SS, FNT, RT, SRT-SS
3	1	9511907	SHROUD, SS, REAR, SRT-SS
4	1	AK58-00245-2401	MEDALLION-ASSY;LF-BUG B



STAINLESS STEEL

Insignia Series Chest Press Weight Stack Assemblies

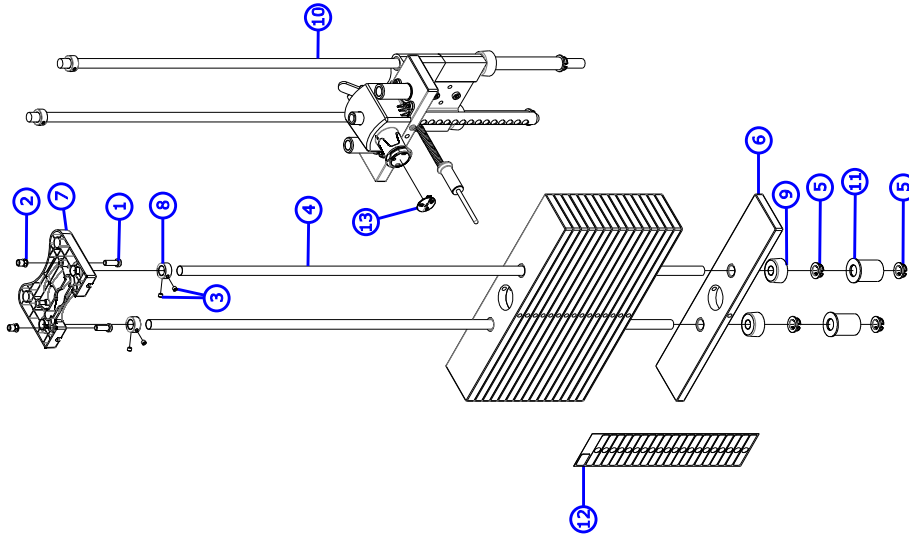
T - Base



Uses 9343303 Cable (154.25")

ITEM NO.	QTY.	PART NO.	DESCRIPTION
1	2	3236203	SCREW, M10 X1.5 30MM
2	2	3238601	M10X1.5 BLIND THREADED INSERT (HEX)
3	4	3242901	SCREW - SET BO
4	2	7328612	GUIDE ROD, .75 OD SOLID 50.36
5	2	7337901	BUSHING, GUIDE ROD
6	16	9407601	WGT PL, 3/4IN X 4IN, 15 LB
7	1	9412801	RETAINER, GUIDE ROD - TOP
8	2	9462901	SHAFT COLLAR, 3/4 IN ID
9	2	7352101	CUSHION, WEIGHT STACK
10	1	SEE PAGE 14	HEAD PLATE ASSY
11	1	SEE PAGE 14	INCREMENTAL WEIGHTS
12	1	9475301	LABEL, 3/4 IN WGT STACK, 295 LB
13	1	9475201	LABEL, 3/4 IN WGT STACK, 147.5 KG
14	2	9462303	CAP, DD INC WGT, YEL - KG

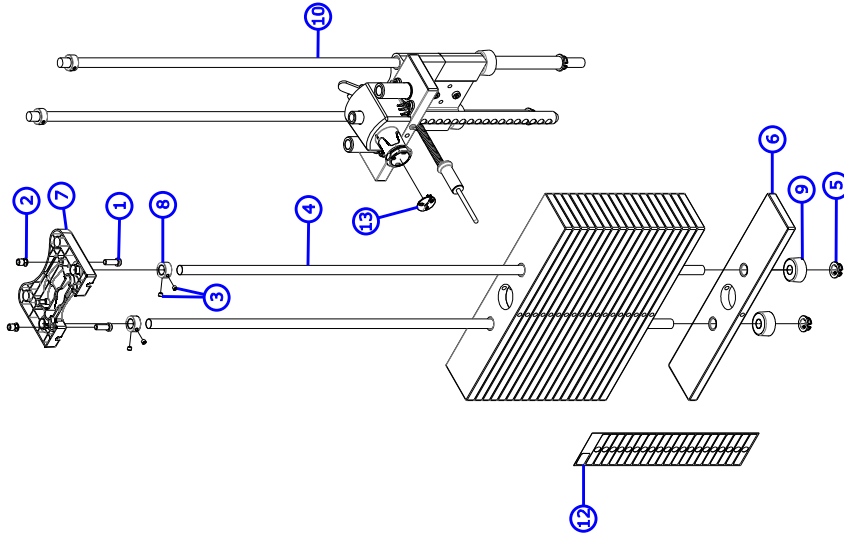
C - Light



Uses 9343304 Cable (152")

ITEM NO.	QTY.	PART NO.	DESCRIPTION
1	2	3236203	SCREW, M10 X1.5 30MM
2	2	3238601	M10X1.5 BLIND THREADED INSERT (HEX)
3	4	3242901	SCREW - SET BO
4	2	7328612	GUIDE ROD, .75 OD SOLID 50.36
5	4	7337901	BUSHING, GUIDE ROD
6	16	9407601	WGT PL, 3/4IN X 4IN, 15 LB
7	1	9412801	RETAINER, GUIDE ROD - TOP
8	2	9462901	SHAFT COLLAR, 3/4 IN ID
9	2	7352101	CUSHION, WEIGHT STACK
10	1	SEE PAGE 15	HEAD PLATE/RODS ASSY
11	2	9495912	WDMT, WGT STK SPACER X 2.25 -CHR
12	1	9475301	LABEL, 3/4 IN WGT STACK, 295 LB
13	1	9475201	LABEL, 3/4 IN WGT STACK, 147.5 KG
14	1	9431403	CAP, SELECTOR KNOB - LBS
15	1	9450103	CAP, SELECTOR KNOB - KGS

X - Heavy



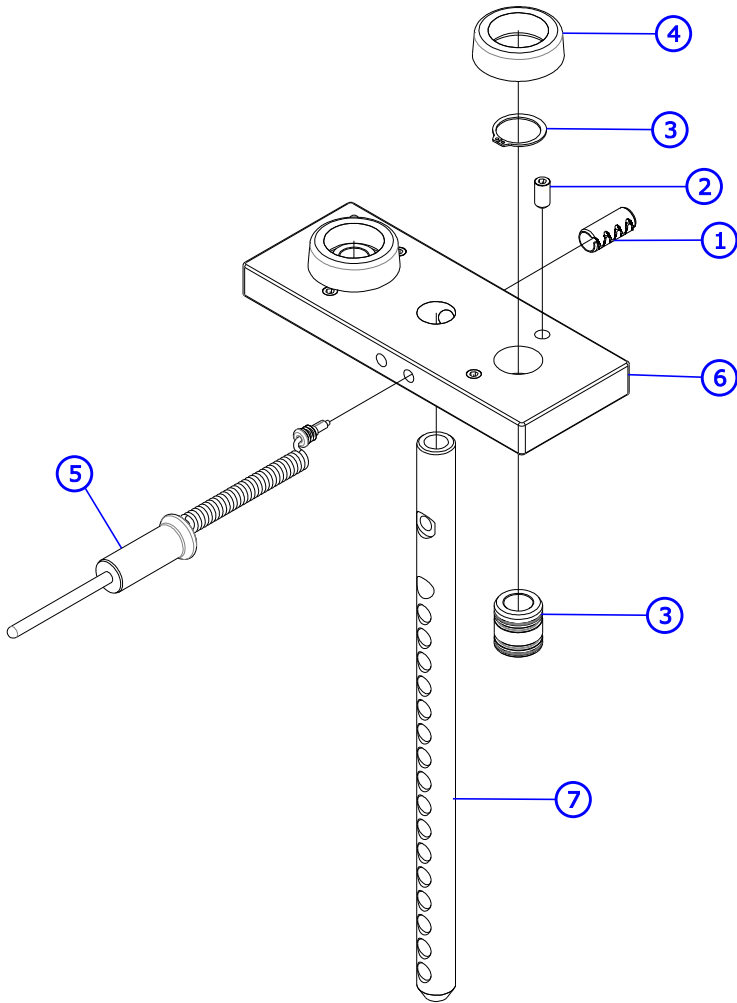
Uses 9343304 Cable (152")

ITEM NO.	QTY.	PART NO.	DESCRIPTION
1	2	3236203	SCREW, M10 X1.5 30MM
2	2	3238601	M10X1.5 BLIND THREADED INSERT (HEX)
3	4	3242901	SCREW - SET BO
4	2	7328612	GUIDE ROD, .75 OD SOLID 50.36
5	2	7337901	BUSHING, GUIDE ROD
6	19	9407601	WGT PL, 3/4IN X 4IN, 15 LB
7	1	9412801	RETAINER, GUIDE ROD - TOP
8	2	9462901	SHAFT COLLAR, 3/4 IN ID
9	2	7352101	CUSHION, WEIGHT STACK
10	1	SEE PAGE 15	HEAD PLATE/RODS ASSY
11	1	9475301	LABEL, 3/4 IN WGT STACK, 295 LB
12	1	9475201	LABEL, 3/4 IN WGT STACK, 147.5 KG
13	1	9431403	CAP, SELECTOR KNOB - LBS
14	1	9450103	CAP, SELECTOR KNOB - KGS

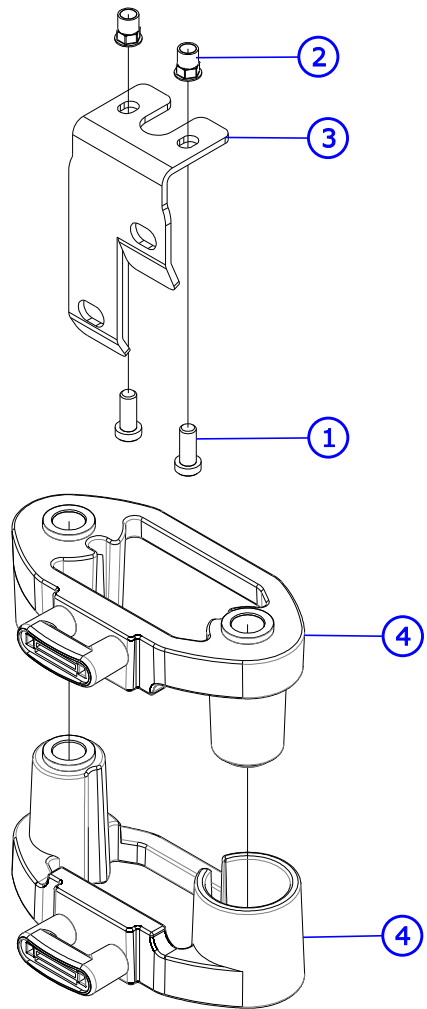
Insignia Series Chest Press

T Trim Head Plate and Drop Down Increment Weights

T Trim



ITEM NO.	QTY.	PART NO.	DESCRIPTION
1	1	3236001	BUSHING, SPRING PIN
2	4	3240501	M10 X 1.5 HXS NO CUP ST BO
3	2	7338001	BUSHING, HEADPLATE
4	2	7767602	BUMPER, INCREMENT WT -BLK
5	1	9427003	ASSY, WGT STK SELECTOR PIN -YELLOW
6	1	9427401	HEADPLATE, WT. STACK, 10LB
7	1	9434202	BAYONET, 16 PLATE

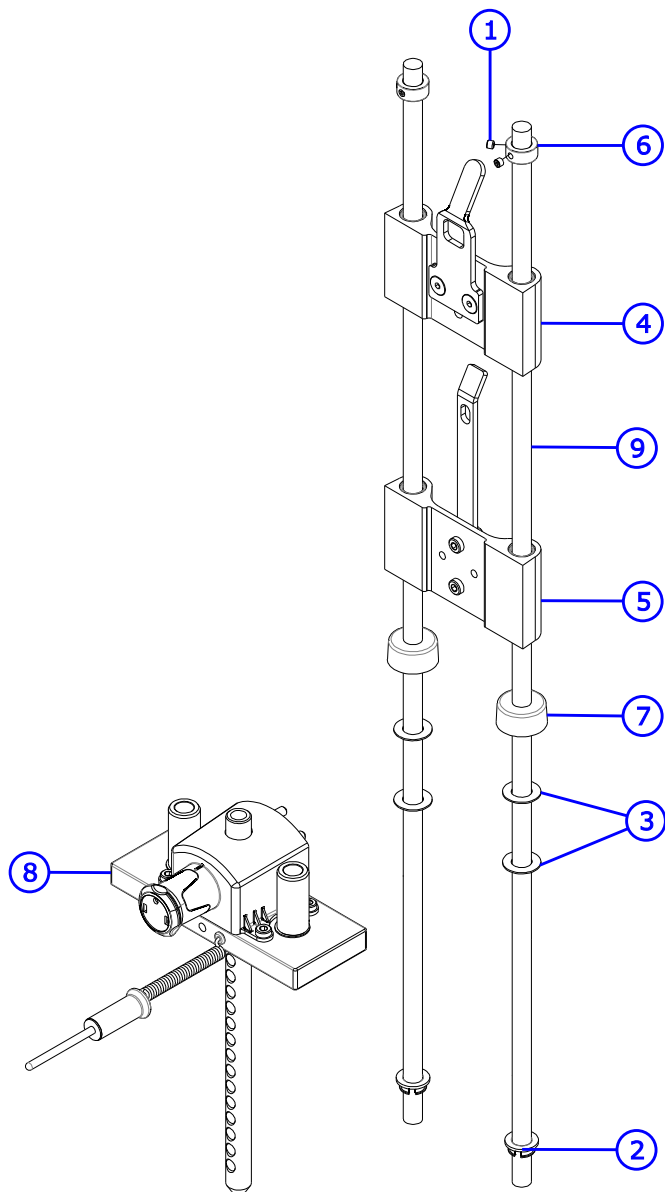


ITEM NO.	QTY.	PART NO.	DESCRIPTION
1	2	3236202	SCREW, M10 X1.5 25MM
2	2	3238601	M10X1.5 BLIND THREADED INSERT (HEX)
3	1	9430801	BRKT, INC WGT STRIKER
4	2	9455403	ASSY, DD INC WGT -YEL

Insignia Series Chest Press

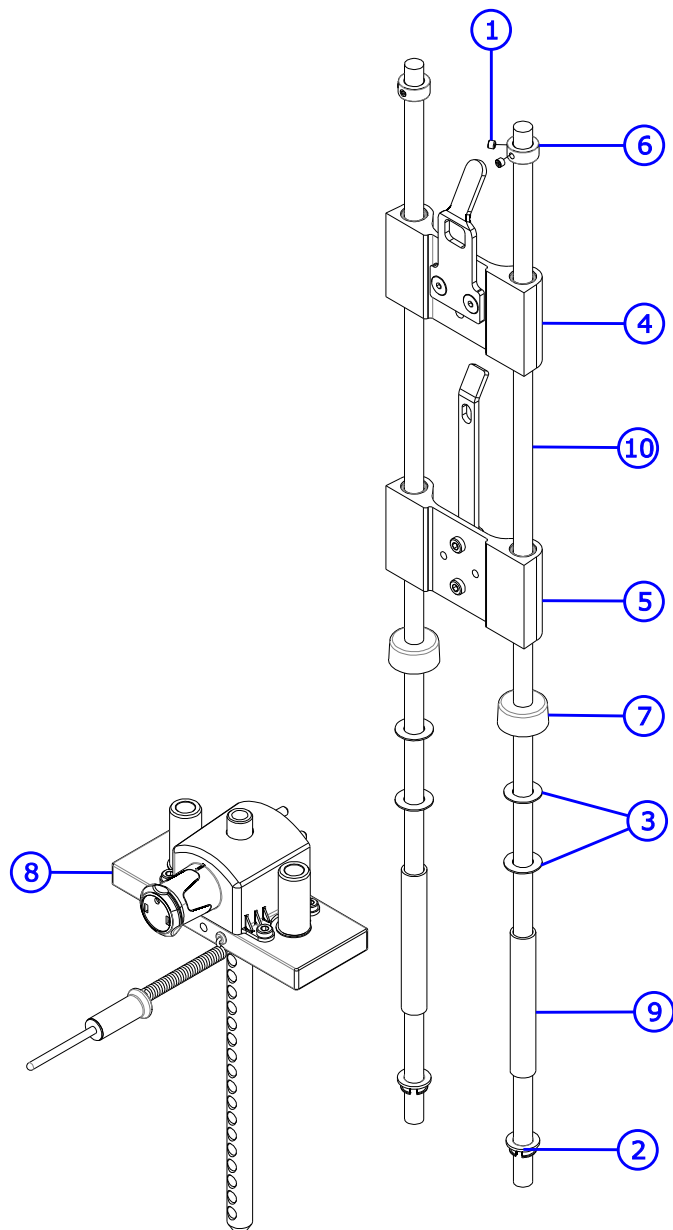
C and X Trim Stack Components

C Trim



ITEM NO.	QTY.	PART NO.	DESCRIPTION
1	4	3242901	SCREW, SET BO
2	2	7337901	BUSHING, GUIDE ROD
3	4	7351001	SPACER, INC WT STACK
4	1	SEE PAGE 17	ASSY, INC WGT -5LB
5	1	SEE PAGE 17	ASSY, INC WGT -10LB
6	2	9462901	SHAFT COLLAR, 3/4 IN ID
7	2	7352101	CUSHION, WEIGHT STACK
8	1	SEE PAGE 16	ASSY, SS, HEAD PLATE, DIAL, STD -16
9	2	7328612	GUIDE ROD, .75 OD SOLID X 50.36

X Trim

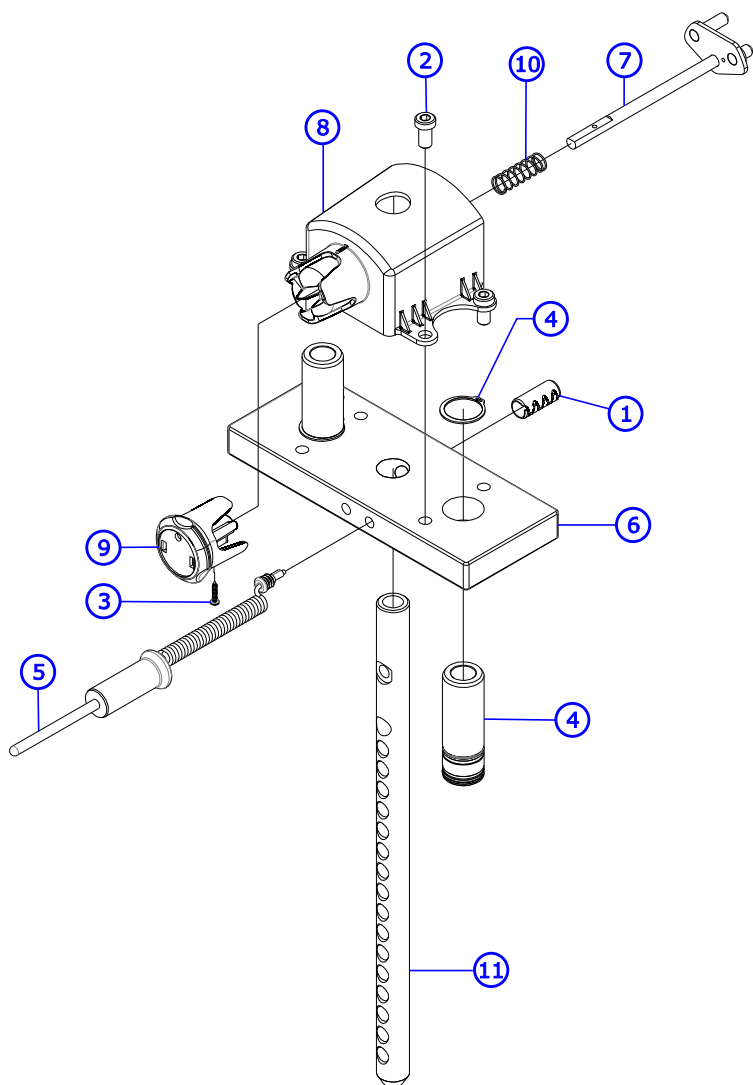


ITEM NO.	QTY.	PART NO.	DESCRIPTION
1	4	3242901	SCREW, SET BO
2	2	7337901	BUSHING, GUIDE ROD
3	4	7351001	SPACER, INC WT STACK
4	1	SEE PAGE 17	ASSY, INC WGT -5LB
5	1	SEE PAGE 17	ASSY, INC WGT -10LB
6	2	9462901	SHAFT COLLAR, 3/4 IN ID
7	2	7352101	CUSHION, WEIGHT STACK
8	1	SEE PAGE 16	ASSY, SS, HEAD PLATE, HVY -19
9	2	7328704	SPACER, INC WT STACK 19 PLATE
10	2	7328612	GUIDE ROD, .75 OD SOLID X 50.36

Insignia Series Chest Press

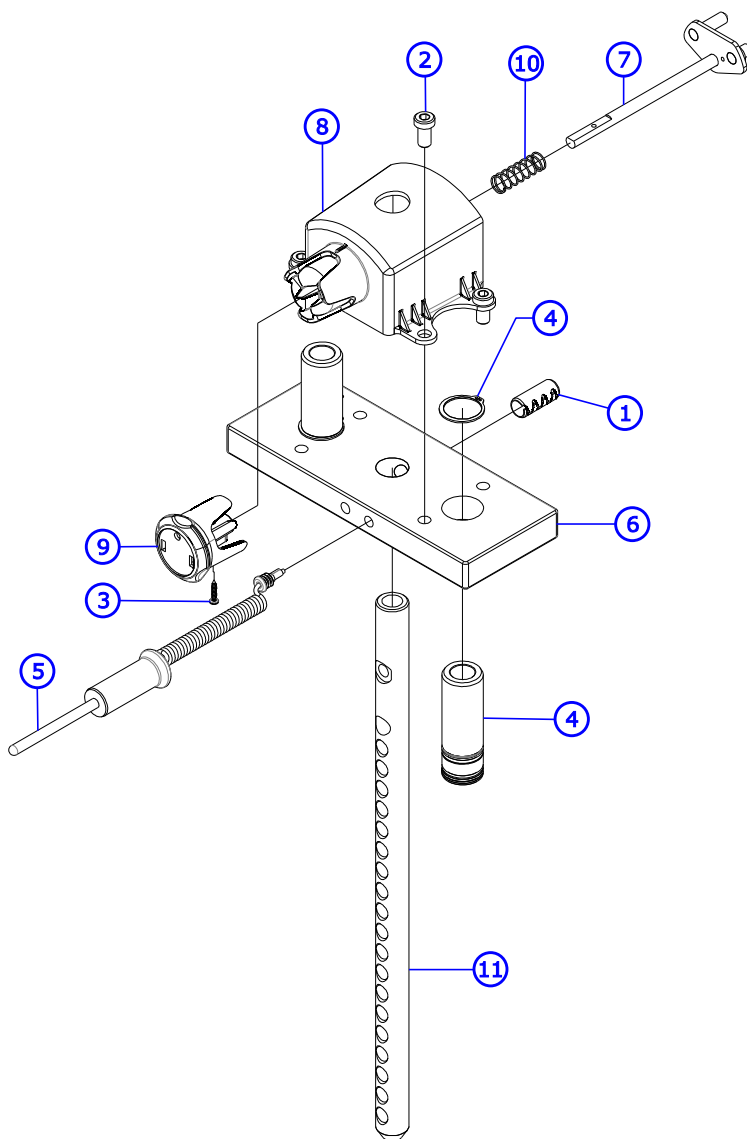
C and X Trim Head Plate Assemblies

C Trim



ITEM NO.	QTY.	PART NO.	DESCRIPTION
1	1	3236001	BUSHING, SPRING PIN
2	4	3236201	SCREW, M10 X1.5 20MM
3	1	3275601	SCREW, 6 X 3/4 DIN PHL PAN AB ST ZB
4	2	9296001	BUSHING, HEADPLATE, LONG
5	1	9427003	ASSY, WGT STK SELECTOR PIN -YELLOW
6	1	9427401	HEADPLATE, WT. STACK, 10LB
7	1	9427501	WLDMT, INC WGT PIN
8	1	9430501	HSNG, INC WEIGHT
9	1	9443201	KNOB, INC WEIGHT
10	1	9443301	SPRING, INC WGT PIN
11	1	9434202	BAYONET, 16 PLATE

X Trim

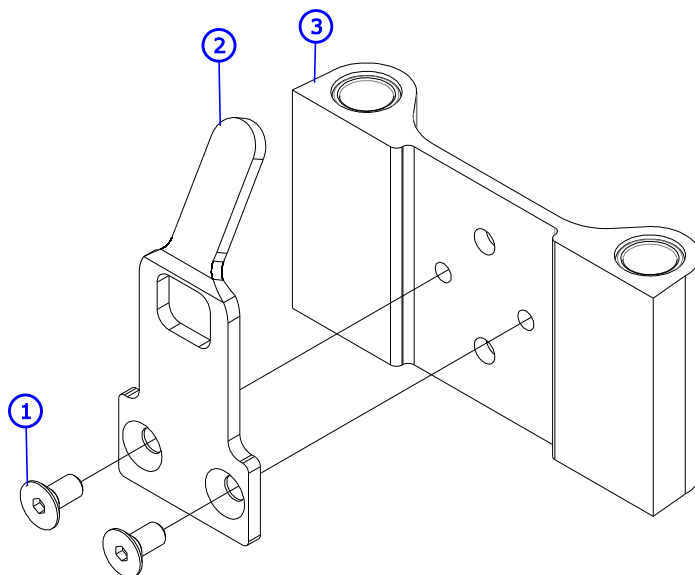


ITEM NO.	QTY.	PART NO.	DESCRIPTION
1	1	3236001	BUSHING, SPRING PIN
2	4	3236201	SCREW, M10 X1.5 20MM
3	1	3275601	SCREW, 6 X 3/4 DIN PHL PAN AB ST ZB
4	2	9296001	BUSHING, HEADPLATE, LONG
5	1	9427003	ASSY, WGT STK SELECTOR PIN -YELLOW
6	1	9427401	HEADPLATE, WT. STACK, 10LB
7	1	9427501	WLDMT, INC WGT PIN
8	1	9430501	HSNG, INC WEIGHT
9	1	9443201	KNOB, INC WEIGHT
10	1	9443301	SPRING, INC WGT PIN
11	1	9426002	BAYONET, 19 PLATE

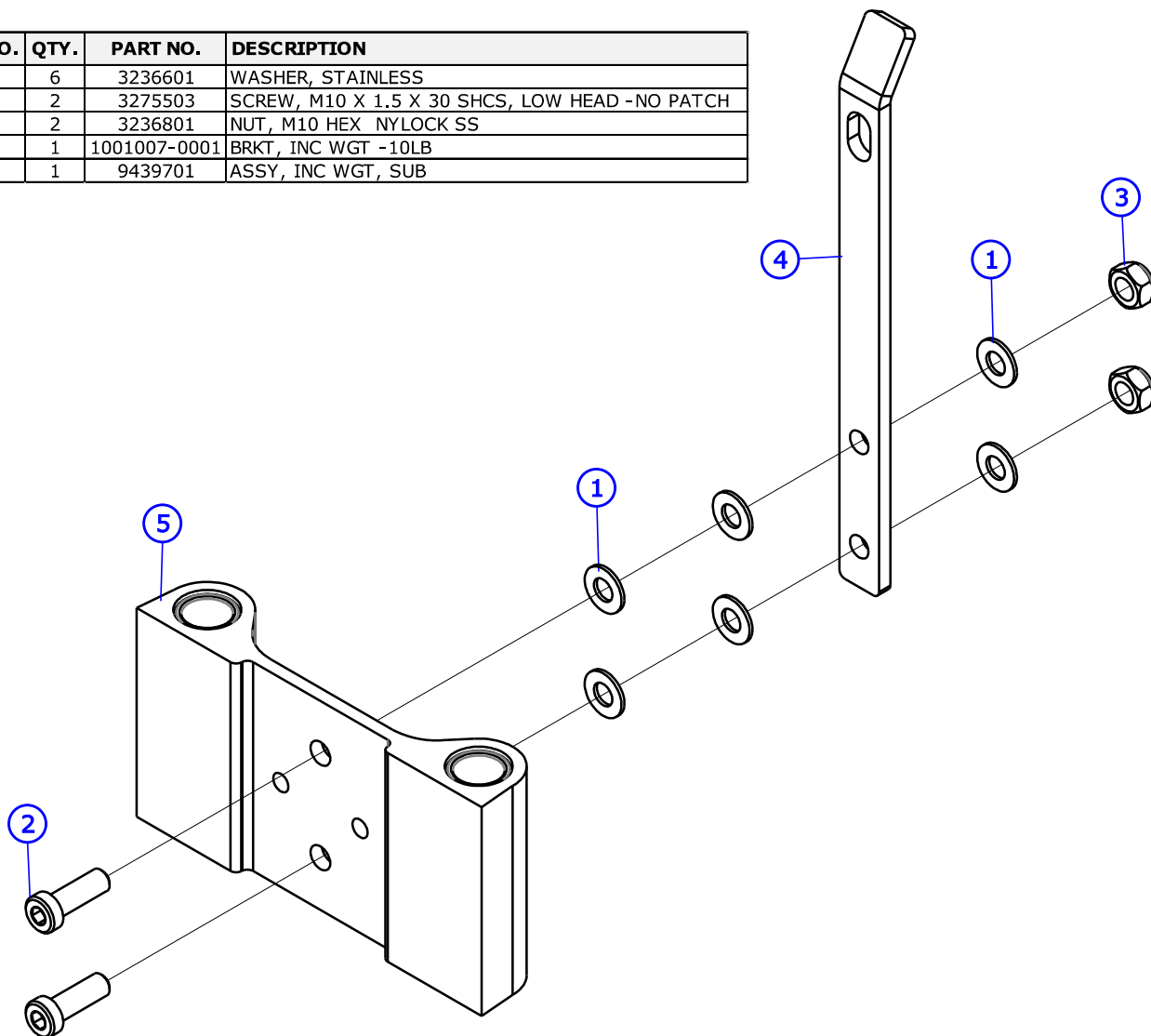
Insignia Series Chest Press

C and X Trim Incremental Weights

ITEM NO.	QTY.	PART NO.	DESCRIPTION
1	2	3238301	M10x1.5x20mm
2	1	9428201	BRKT, INC WGT -5 LB
3	1	9439701	ASSY, INC WGT, SUB

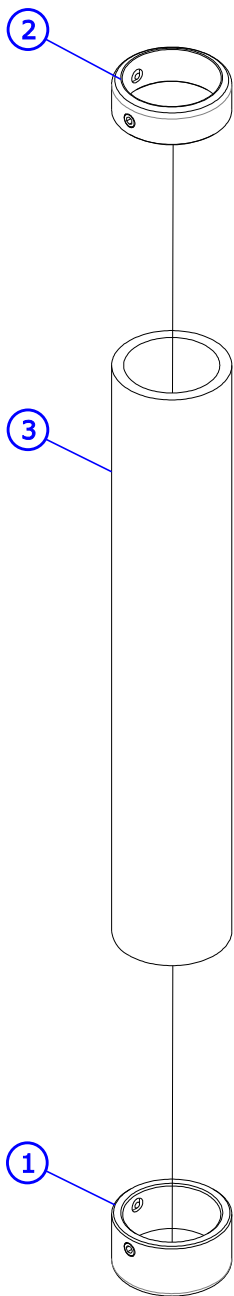


ITEM NO.	QTY.	PART NO.	DESCRIPTION
1	6	3236601	WASHER, STAINLESS
2	2	3275503	SCREW, M10 X 1.5 X 30 SHCS, LOW HEAD -NO PATCH
3	2	3236801	NUT, M10 HEX NYLOCK SS
4	1	1001007-0001	BRKT, INC WGT -10LB
5	1	9439701	ASSY, INC WGT, SUB



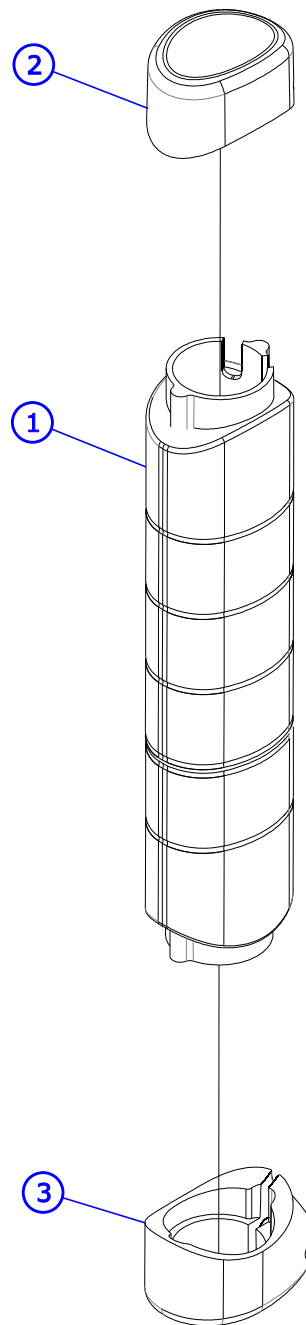
Insignia Series Chest Press Grip Assemblies

S Trim



ITEM NO.	QTY.	PART NO.	DESCRIPTION
1	1	7662901	CAP, GRIP 1.25 OD
2	1	7662801	RING, GRIP
3	1	3235806	GRIP, 1.25 OD X .125 WALL, OPEN END

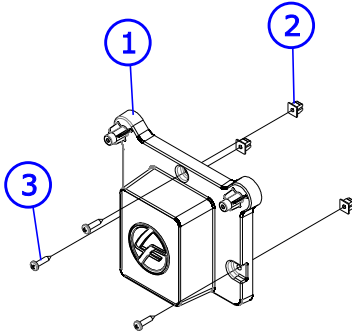
L Trim



ITEM NO.	QTY.	PART NO.	DESCRIPTION
1	1	9453002	GRIP, ERGO, OVERMOLD, 9.0
2	1	9498401	ASSY, CAP, GRIP
3	1	9498501	ASSY, COLLAR, ERGO GRIP

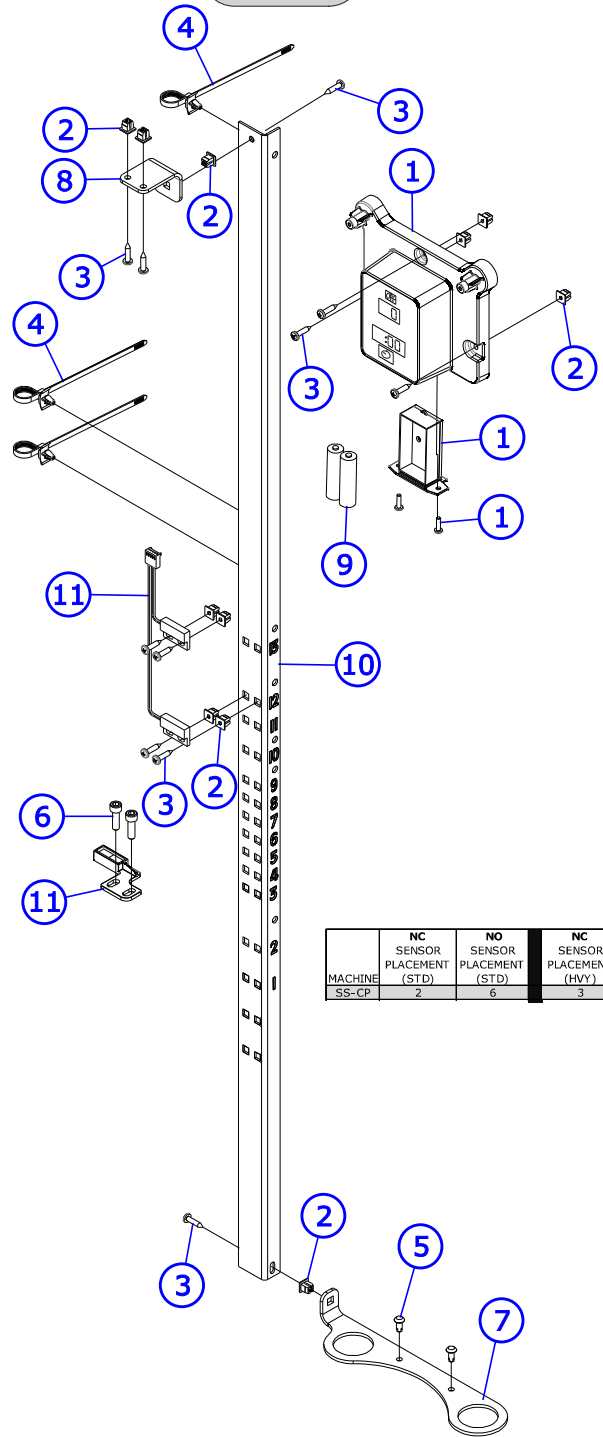
Insignia Series Chest Press Sensor Assemblies

S Trim



ITEM NO.	QTY.	PART NO.	DESCRIPTION
1	1	9437401	SS - ASSY, DISPLAY, BASE
2	3	0017-00042-1147	GROMMET: SCREW; 8 OR 10
3	3	3275801	SCREW, 8 X 3/4 DIN PHL PAN AB ST ZB

L Trim



MACHINE	NC SENSOR PLACEMENT (STD)	NO SENSOR PLACEMENT (STD)	NC SENSOR PLACEMENT (HVY)	NO SENSOR PLACEMENT (HVY)
SS-CP	2	6	3	9

ITEM NO.	QTY.	PART NO.	DESCRIPTION
1	1	9417701	ASSY, DISPLAY, COUNTER
2	11	0017-00042-1147	GROMMET: SCREW; 8 OR 10
3	11	3275801	SCREW, 8 X 3/4 DIN PHL PAN AB ST ZB
4	3	3276101	GROMMET, CABLE TIE
5	2	0017-00101-1587	RVT 201X0413X.354 T NY NO
6	2	3241701	SCREW, M6 X1 20MM
7	1	9432728	BRKT, SS, SWITCH MNT -CHGR
8	1	9434828	BRKT, SS, SWITCH MNT
9	2	-	BATTERY, AA
10	1	9434628	BRKT, SS, SWITCH MNT, STD -CHR
11	1	1000585-0001	ASSY, SS, PROX SWITCH/MAGNET