

# DISCOVER SE3: 19 INCH LCD TREAD CONSOLE

## PARTS MANUAL

19DT-XWXXX-XX

GAT, GPT, GDT, GIT, GXT, GST



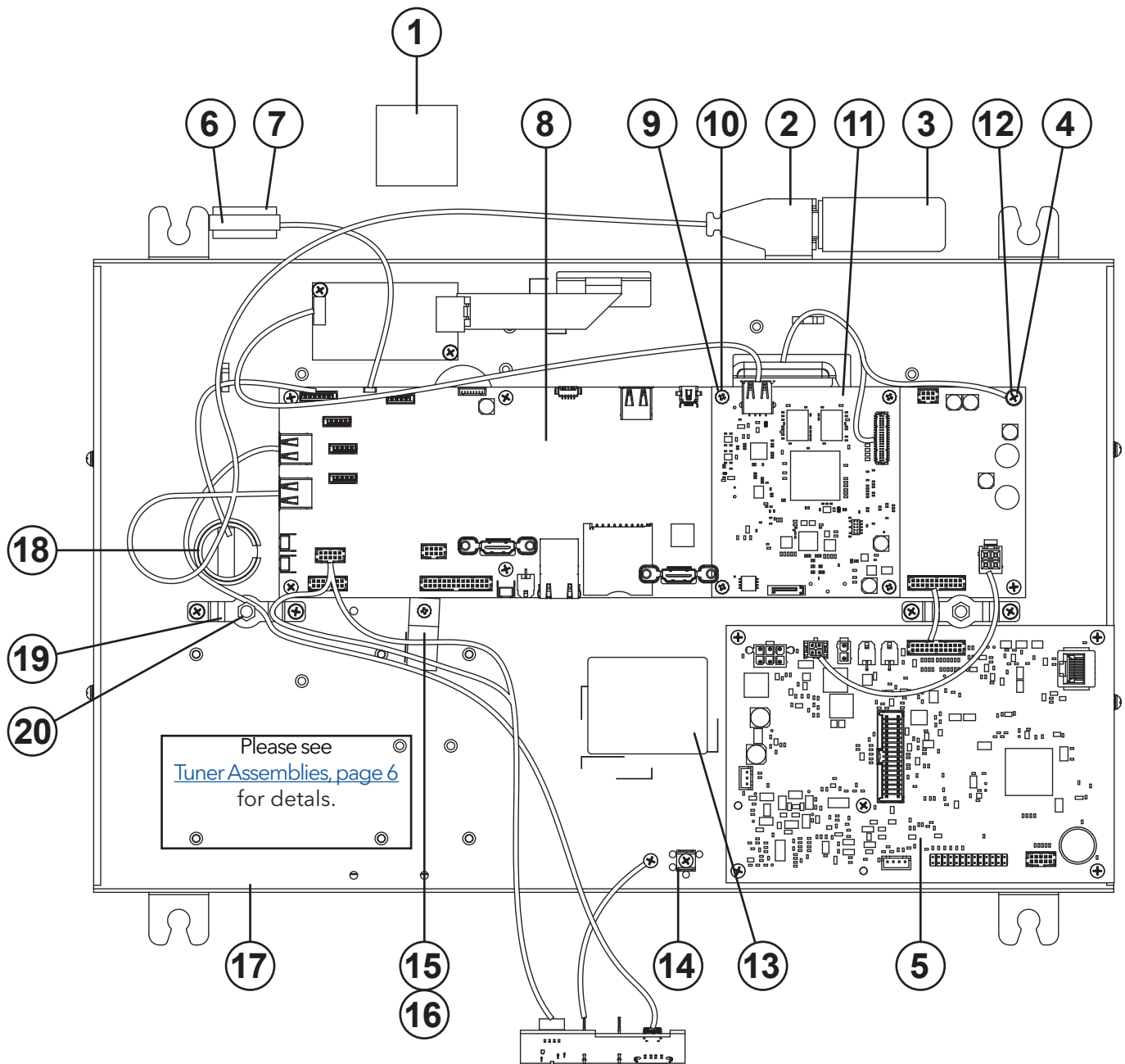
# Table of Contents

|  |           |
|--|-----------|
| <b>Console Serial Number</b>           | <b>1</b>  |
| <b>Main Console Components</b>         | <b>2</b>  |
| <b>Cables</b>                          | <b>4</b>  |
| <b>Tuner Assemblies</b>                | <b>6</b>  |
| <b>Plastics and Display Components</b> | <b>8</b>  |
| <b>Option Panel</b>                    | <b>10</b> |
| <b>Kit Assemblies</b>                  | <b>11</b> |



| <b>Console Serial Number</b>                              |                   |   |                            |
|---|-------------------|---|----------------------------|
| <b>ATSC / NTSC TUNER (DOMESTIC)</b>                       |                   |   |                            |
| <b>Part No.</b>   | <b>Alpha Code</b> | <b>Description</b>  | <b>Serial Number Range</b> |
| 19DT-XWXXA-04   | GAT               | SE3 19In CONSOLE TREAD WIRELESS ATSC/QAM/NTSC             | 100001 - 399999            |
| 19DT-XWRXA-04   | GAT               | SE3 19In CONSOLE TREAD WIRELESS RFID ATSC/QAM/NTSC        | 100001 - 399999            |
| <b>PROIDIOM TUNER (DOMESTIC)</b>                          |                   |   |                            |
| <b>Part No.</b>   | <b>Alpha Code</b> | <b>Description</b>  | <b>Serial Number Range</b> |
| 19DT-XWXXP-04   | GPT               | SE3 19In CONSOLE TREAD PROIDIOM/QAM                       | 100001 - 399999            |
| 19DT-XWRXP-04   | GPT               | SE3 19In CONSOLE TREADRFID PROIDIOM/QAM                   | 100001 - 399999            |
| <b>DVB-T / DVB-T2 / DVB-C / PAL TUNER (INTERNATIONAL)</b> |                   |   |                            |
| <b>Part No.</b>   | <b>Alpha Code</b> | <b>Description</b>  | <b>Serial Number Range</b> |
| 19DT-XWXXD-05   | GDT               | SE3 19In CONSOLE TREAD WIRELESS DVBT2/DVBC/PAL/SECAM      | 100001 - 399999            |
| 19DT-XWRXD-05   | GDT               | SE3 19In CONSOLE TREAD WIRELESS RFID DVBT2/DVBC/PAL/SECAM | 100001 - 399999            |
| <b>STB IPTV HW SOLUTION</b>                               |                   |   |                            |
| <b>Part No.</b>   | <b>Alpha Code</b> | <b>Description</b>  | <b>Serial Number Range</b> |
| 19DT-XWXXI-04   | GIT               | SE3 19In CONSOLE TREAD WIRELESS STB SYNC                  | 100001 - 399999            |
| 19DT-XWRXI-04   | GIT               | SE3 19In CONSOLE TREAD WIRELESS RFID STB SYNC             | 100001 - 399999            |
| <b>IPTV SW SOLUTION (MULTICAST)</b>                       |                   |   |                            |
| <b>Part No.</b>   | <b>Alpha Code</b> | <b>Description</b>  | <b>Serial Number Range</b> |
| 19DT-XWXXX-04   | GXT               | SE3 19In CONSOLE TREAD WIRELESS TUNERLESS                 | 100001 - 399999            |
| 19DT-XWRXX-04   | GXT               | SE3 19In CONSOLE TREAD WIRELESS RFID TUNERLESS            | 100001 - 399999            |
| <b>ISDB-T (w/B-CAS) / NTSC TUNER</b>                      |                   |   |                            |
| <b>Part No.</b>   | <b>Alpha Code</b> | <b>Description</b>  | <b>Serial Number Range</b> |
| 19DT-XWXXS-04   | GST               | SE3 19In CONSOLE TREAD WIRELESS ISDBT/NTSC                | 100001 - 399999            |
| 19DT-XWRXS-04   | GST               | SE3 19In CONSOLE TREAD WIRELESS RFID ISDBT/NTSC           | 100001 - 399999            |

# Main Console Components

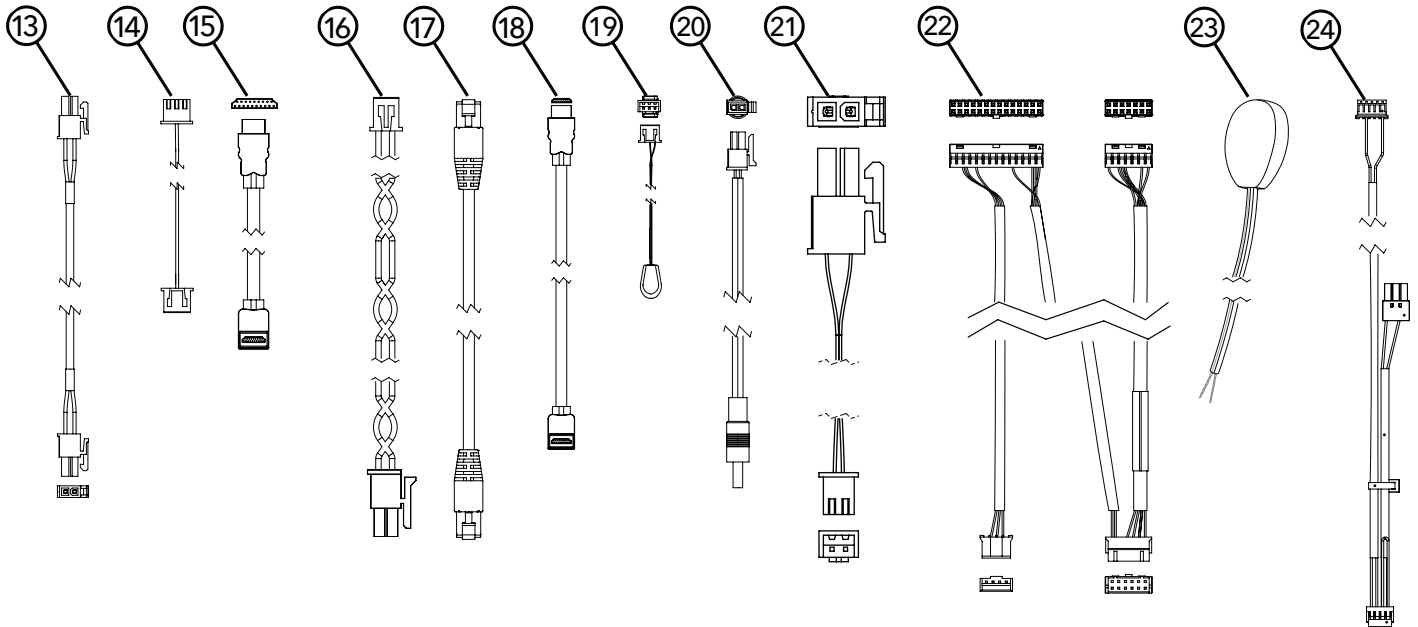
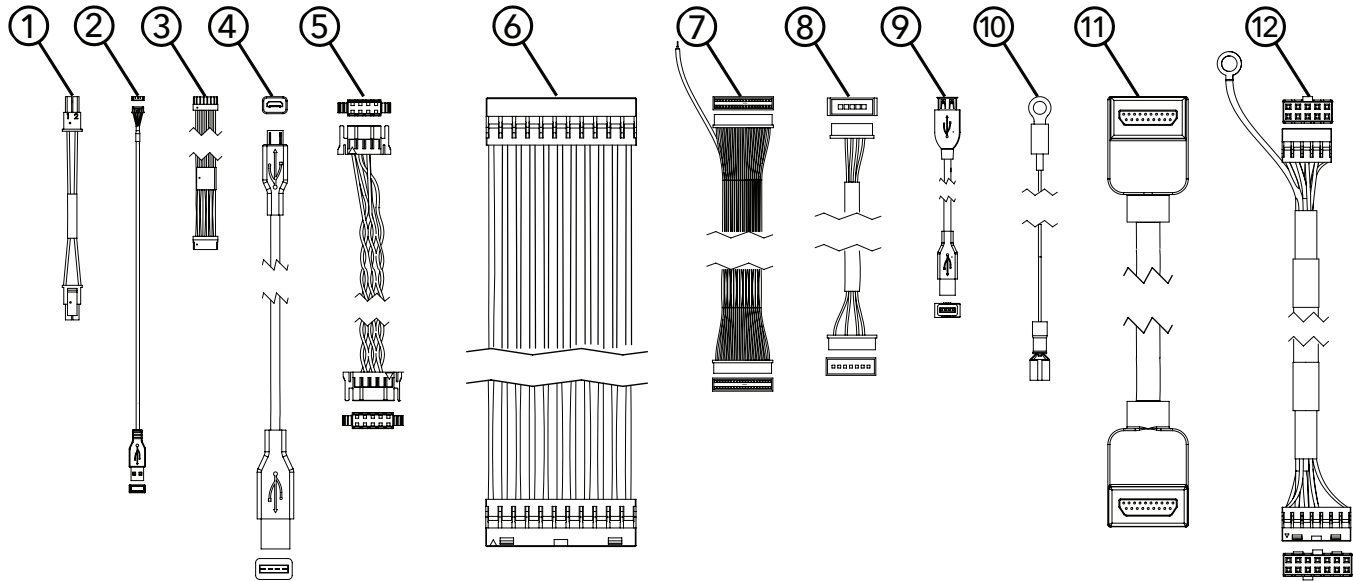


## Parts List

| Item | Part Number            | Alpha Code                   | Item Description                             | Serial Number Range |
|------|------------------------|------------------------------|--|---------------------|
| 1    | 118E-00001-0311        | GAT, GPT, GDT, GIT, GXT, GST | Passive NFC Tag                              | 100001 - 399999     |
| 2    | 0K92-01222-0000        | GAT, GPT, GDT, GIT, GXT, GST | Wireless Connectivity Bracket                | 100001 - 399999     |
| 3    | <b>1002216-0000</b>    | GAT, GPT, GDT, GIT, GXT, GST | Wireless Connectivity Module                 | 100001 - 399999     |
| 4    | 0017-00101-2117        | GAT, GPT, GDT, GIT, GXT, GST | Screw: M3 X 6 Phillips Pan Head w/<br>Washer | 100001 - 399999     |
| 5    | <b>B084-92386-0000</b> | GAT, GPT, GDT, GIT, GXT, GST | MIB board                                    | 100001 - 399999     |

| Item | Part Number     | Alpha Code                   | Item Description                     | Serial Number Range |
|------|-----------------|------------------------------|--------------------------------------|---------------------|
| 6    | 118E-00001-0289 | GAT, GPT, GDT, GIT, GXT, GST | Bluetooth Dual Mode 4.0 Module       | 100001 - 399999     |
| 7    | 0K39-01044-0001 | GAT, GPT, GDT, GIT, GXT, GST | Double Sided Adhesive                | 100001 - 399999     |
| 8    | B084-92388-0001 | GAT, GPT, GDT, GIT, GXT, GST | Carrier board, V7                    | 100001 - 399999     |
| 9    | 0017-00009-1335 | GAT, GPT, GDT, GIT, GXT, GST | Spacer, round                        | 100001 - 399999     |
| 10   | 0017-00101-2016 | GAT, GPT, GDT, GIT, GXT, GST | Screw: M3 X 10 Phillips Pan Head     | 100001 - 399999     |
| 11   | A084-92420-0002 | GAT, GPT, GDT, GIT, GXT, GST | Programmed IMX6 Board                | 100001 - 399999     |
| 12   | 0K92-01230-0000 | GAT, GPT, GDT, GIT, GXT, GST | Spacer, Plastic                      | 100001 - 399999     |
| 13   | M051-00518-0000 | GAT, GPT, GDT, GIT, GXT, GST | Serial Number UID Label Chassis      | 100001 - 399999     |
| 14   | 0017-00021-3368 | GAT, GPT, GDT, GIT, GXT, GST | Quick Disconnect Terminal            | 100001 - 399999     |
| 15   | 121E-00001-0025 | GAT, GPT, GDT, GIT, GXT, GST | Clamp Filter: Ferrite core with case | 100001 - 399999     |
| 16   | 0017-00042-1235 | GAT, GPT, GDT, GIT, GXT, GST | Ferrite Mounting bracket             | 100001 - 399999     |
| 17   | 0K92-01218-0000 | GAT, GPT, GDT, GIT, GXT, GST | 18.5" Tread Chassis                  | 100001 - 399999     |
| 18   | 0017-00100-0263 | GAT, GPT, GDT, GIT, GXT, GST | Rubber O Ring                        | 100001 - 399999     |
| 19   | 0K92-01067-0000 | GAT, GPT, GDT, GIT, GXT, GST | Hat Bracket: Tread                   | 100001 - 399999     |
| 20   | 0K92-01068-0000 | GAT, GPT, GDT, GIT, GXT, GST | Standoff: M-F Treaded Hex            | 100001 - 399999     |

# Cables



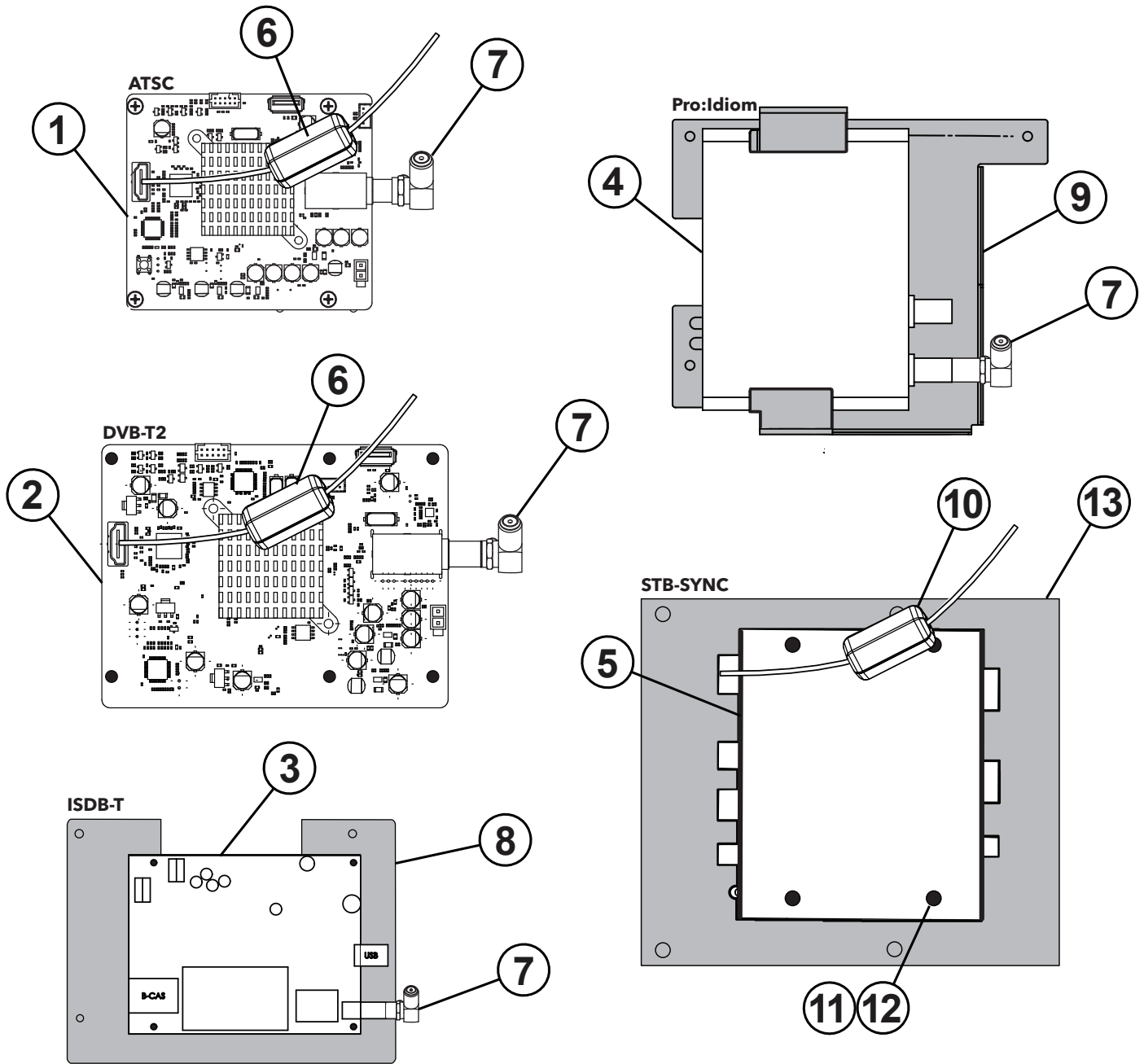
## Parts List

| Item | Part Number                     | Alpha code                   | Description                               | Serial Range    |
|------|---------------------------------|------------------------------|---|-----------------|
| 1    | <a href="#">AK92-00006-0000</a> | GAT, GPT, GDT, GIT, GXT, GST | Cable: Carrier 24V to MIB 24V             | 100001 - 399999 |
| 2    | <a href="#">AK92-00082-0000</a> | GAT, GPT, GDT, GIT, GXT, GST | Cable: Touch controller cable (to IMX6)   | 100001 - 399999 |
| 3    | <a href="#">AK92-00020-0000</a> | GAT, GPT, GDT, GIT, GXT, GST | Cable: Carrier USB to Bluetooth           | 100001 - 399999 |
| 4    | <a href="#">AK92-00072-0000</a> | GAT, GPT, GDT, GIT, GXT, GST | Cable: USB Type A to Micro B              | 100001 - 399999 |
| 5    | <a href="#">AK92-00015-0001</a> | GAT, GPT, GDT, GIT, GXT, GST | Cable: Carrier headphone to option panel  | 100001 - 399999 |
| 6    | <a href="#">AK92-00027-0000</a> | GAT, GPT, GDT, GIT, GXT, GST | Cable: Carrier to MIB                     | 100001 - 399999 |
| 7    | <a href="#">AK92-00005-0000</a> | GAT, GPT, GDT, GIT, GXT, GST | Cable: COM LVDS to LCD LVDS               | 100001 - 399999 |
| 8    | <a href="#">AK92-00003-0000</a> | GAT, GPT, GDT, GIT, GXT, GST | Cable: Carrier backlight to LCD backlight | 100001 - 399999 |
| 9    | AK92-00073-0002                 | GAT, GPT, GDT, GIT, GXT, GST | Cable: USB Type A (M) to Type A (F)       | 100001 - 399999 |
| 10   | <a href="#">AK65-00103-0002</a> | GAT, GPT, GDT, GIT, GXT, GST | Cable: Ground ESD                         | 100001 - 399999 |

| Item | Part Number      | Alpha code                   | Description                                 | Serial Range    |
|------|------------------|------------------------------|---|-----------------|
| 11   | AK92-00263-0000  | GAT, GDT                     | Cable: Swift Tuner HDMI to HDMI             | 100001 - 399999 |
| 12   | AK92-00264-0000  | GAT, GDT                     | Cable: Swift I2C and Audio                  | 100001 - 399999 |
| 13   | AK92-00265-0000  | GAT, GDT                     | Cable: Swift Tuner DC power cable           | 100001 - 399999 |
| 14   | AK92-00009-0000  | GIT                          | Cable: MIB IR to HDMI Ext. Rcvr IR          | 100001 - 399999 |
| 15   | AK92-00014-0000  | GIT                          | Cable: HDMI Ext. Rcvr bd to Carrier bd      | 100001 - 399999 |
| 16   | AK92-00018-0000  | GIT                          | Cable: 5V Carrier to HDMI Ext. Rcvr bd      | 100001 - 399999 |
| 17   | AK70-00092-0003  | GIT                          | Cable: CAT5e HDMI Ext. Rcvr to Carrier      | 100001 - 399999 |
| 18   | AK92-00268-0000  | GPT                          | Cable: HDMI PI STB to Carrier bd            | 100001 - 399999 |
| 19   | AK92-00269-0000  | GPT                          | Cable: MIB IR to PI STB IR                  | 100001 - 399999 |
| 20   | AK92-00270-0000  | GPT                          | Cable: 5V Power PI STB                      | 100001 - 399999 |
| 21   | 1004460-0001     | GST                          | Cable: 12V Power DCI Tuner                  | 100001 - 399999 |
| 22   | 1005481-0001     | GST                          | Cable: DCI Tuner COMM/Audio/Video           | 100001 - 399999 |
| 23   | 1003446-0001     | GIT                          | IR Emitter cable, spare for STB-SYNC TX kit | 100001 - 399999 |
| 24   | AK92-00063-0000* | GAT, GPT, GDT, GIT, GXT, GST | Cable: NFC/RFID Serial COMM (Elatec)        | 100001 - 399999 |

\*RFID serial cable is to be used with the optional RFID module

# Tuner Assemblies

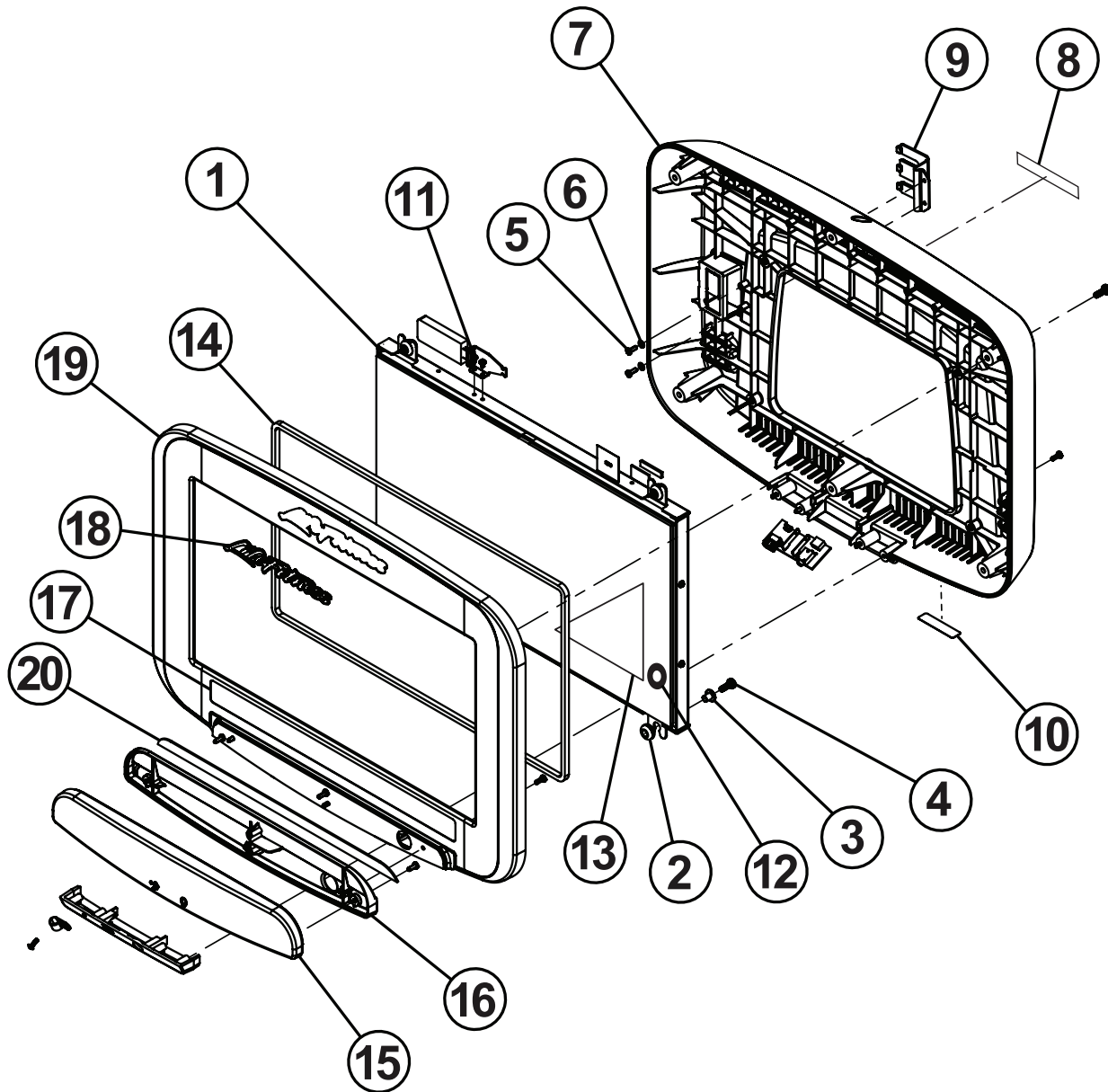


## Parts List

| ATSC HDMI Digital Tuner Board W/H.264 |                                 |            |                                       |                     |
|---------------------------------------|---------------------------------|------------|---------------------------------------|---------------------|
| Item                                  | Part Number                     | Alpha Code | Item Description                      | Serial Number Range |
| 1                                     | A084-92516-0001                 | GAT        | ATSC HDMI Digital Tuner Board W/H.264 | 100001 - 399999     |
| 7                                     | 1006406-0001                    | GAT        | Right Angle Coaxial Type-F Adapter    | 100001 - 399999     |
| 6                                     | 1006779-0001                    | GAT        | Snap On Ferrite                       | 100001 - 399999     |
| <b>Cables</b>                         |                                 |            |                                       |                     |
|                                       | Item 12, <a href="#">page 5</a> |            | Cable: Swift Tuner HDMI to HDMI       |                     |
|                                       | Item 13, <a href="#">page 5</a> |            | Cable: Swift I2C and Audio            |                     |
|                                       | Item 14, <a href="#">page 5</a> |            | Cable: Swift Tuner DC power cable     |                     |

| <b>DVB-T2 HDMI Digital Tuner Board</b>  |                                 |  |   |                            |
|---|---------------------------------|--|---|----------------------------|
| <b>Item</b>                             | <b>Part Number</b>              | <b>Alpha Code</b>                      | <b>Item Description</b>                           | <b>Serial Number Range</b> |
| 2                                       | <b>A084-92517-0000</b>          | GDT                                    | DVB-T2 HDMI Digital Tuner Board                   | 100001 - 399999            |
| 7                                       | 1006406-0001                    | GDT                                    | Right Angle Coaxial Type-F Adapter                | 100001 - 399999            |
| 6                                       | <b>1006779-0001</b>             | GDT                                    | Snap On Ferrite                                   | 100001 - 399999            |
| <b>Cables</b>                           |                                 |  |   |                            |
|   | Item 12, <a href="#">page 5</a> | Cable: Swift Tuner HDMI to HDMI        |   |                            |
|   | Item 13, <a href="#">page 5</a> | Cable: Swift I2C and Audio             |   |                            |
|   | Item 14, <a href="#">page 5</a> | Cable: Swift Tuner DC power cable      |   |                            |
| <b>ISDB-T tuner (DCI)</b>               |                                 |  |   |                            |
| <b>Item</b>                             | <b>Part Number</b>              | <b>Alpha Code</b>                      | <b>Item Description</b>                           | <b>Serial Number Range</b> |
| 3                                       | 1004461-0001                    | GST                                    | ISDB-T tuner (DCI)                                | 100001 - 399999            |
| 7                                       | 1006406-0001                    | GST                                    | Right Angle Coaxial Type-F Adapter                | 100001 - 399999            |
| 8                                       | 1004310-0001                    | GST                                    | DCI ISDB Tuner Bracket                            | 100001 - 399999            |
| <b>Cables</b>                           |                                 |  |   |                            |
|   | Item 22, <a href="#">page 5</a> | Cable: 12V Power DCI Tuner             |   |                            |
|   | Item 23, <a href="#">page 5</a> | Cable: DCI Tuner COMM/Audio/Video      |   |                            |
| <b>Pro:Idiom STB RF To HDMI</b>         |                                 |  |   |                            |
| <b>Item</b>                             | <b>Part Number</b>              | <b>Alpha Code</b>                      | <b>Item Description</b>                           | <b>Serial Number Range</b> |
| 4                                       | <b>118E-00001-0312</b>          | GPT                                    | Pro:Idiom STB RF To HDMI                          | 100001 - 399999            |
| 7                                       | 1006406-0001                    | GPT                                    | Right Angle Coaxial Type-F Adapter                | 100001 - 399999            |
| 9                                       | 1003138-0001                    | GPT                                    | PI STB Bracket                                    | 100001 - 399999            |
| <b>Cables</b>                           |                                 |  |   |                            |
|   | Item 19, <a href="#">page 5</a> | Cable: HDMI PI STB to Carrier bd       |   |                            |
|   | Item 20, <a href="#">page 5</a> | Cable: MIB IR to PI STB IR             |   |                            |
|   | Item 21, <a href="#">page 5</a> | Cable: 5V Power PI STB                 |   |                            |
| <b>STB-SYNC Receiver Board (Atlona)</b> |                                 |  |   |                            |
| <b>Item</b>                             | <b>Part Number</b>              | <b>Alpha Code</b>                      | <b>Item Description</b>                           | <b>Serial Number Range</b> |
| 5                                       | <b>118E-00001-0300</b>          | GIT                                    | STB-SYNC Receiver Board (Atlona)                  | 100001 - 399999            |
| 13                                      | 0K92-01085-0000                 | GIT                                    | STB-SYNC Receiver Board Chassis<br>Mounting Plate | 100001 - 399999            |
| 10                                      | 0017-00021-3386                 | GIT                                    | Snap On Ferrite                                   | 100001 - 399999            |
| 11                                      | 0017-00009-1343                 | GIT                                    | Female Threaded hex standoff                      | 100001 - 399999            |
| 12                                      | 0017-00009-1342                 | GIT                                    | Male-Female Threaded hex standoff                 | 100001 - 399999            |
| <b>Cables</b>                           |                                 |  |   |                            |
|   | Item 15, <a href="#">page 5</a> | Cable: MIB IR to HDMI Ext. Rcvr IR     |   |                            |
|   | Item 16, <a href="#">page 5</a> | Cable: HDMI Ext. Rcvr bd to Carrier bd |   |                            |
|   | Item 17, <a href="#">page 5</a> | Cable: 5V Carrier to HDMI Ext. Rcvr bd |   |                            |
|   | Item 18, <a href="#">page 5</a> | Cable: CAT5e HDMI Ext. Rcvr to Carrier |   |                            |

# Plastics and Display Components



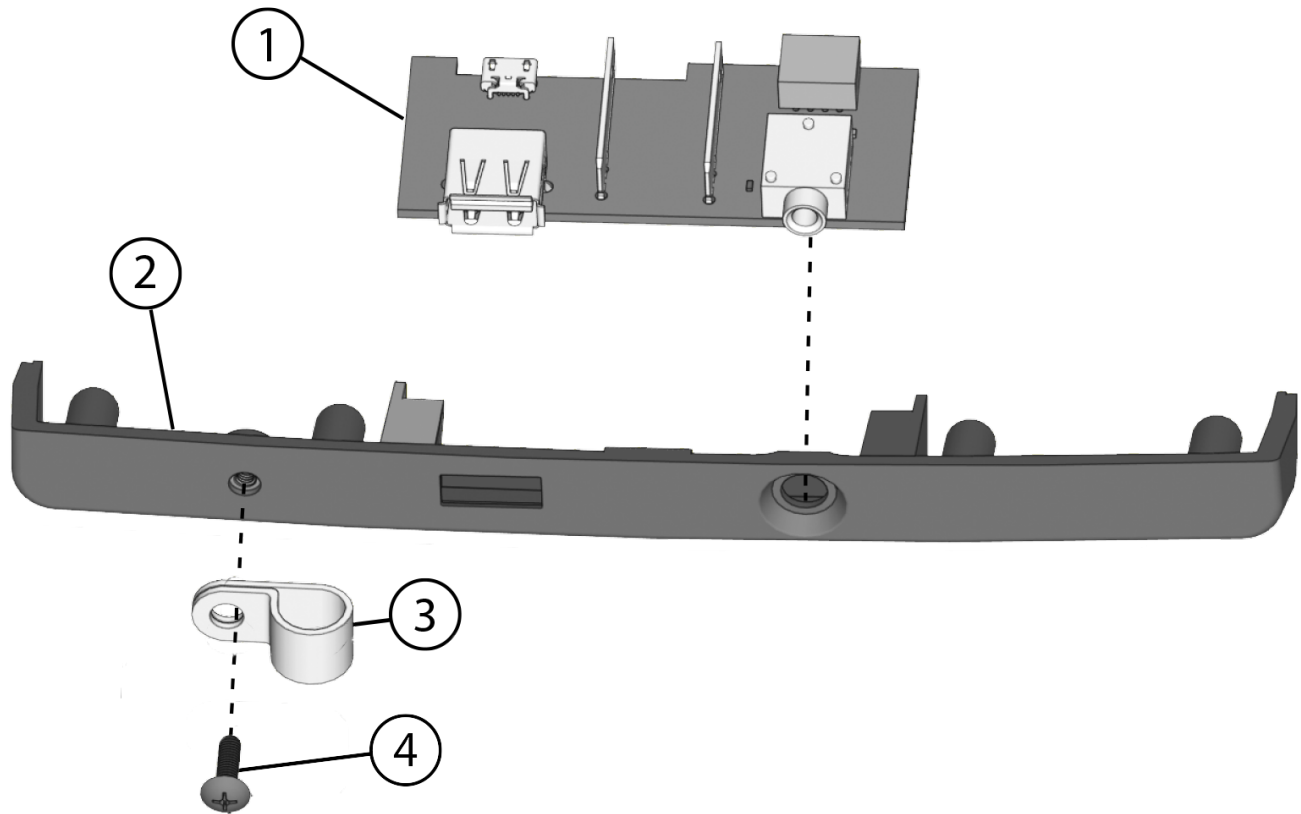
## Parts List

| Item | Part Number     | Alpha Code                   | Item Description                             | Serial Number Range |
|------|-----------------|------------------------------|--|---------------------|
| 1    | AK92-00037-0000 | GAT, GPT, GDT, GIT, GXT, GST | KIT: 18.5" LCD Panel & Touch Screen Assembly | 100001 - 399999     |
| 2    | 0017-00042-1160 | GAT, GPT, GDT, GIT, GXT, GST | Grommet, Vibration                           | 100001 - 399999     |
| 3    | OK58-01381-0000 | GAT, GPT, GDT, GIT, GXT, GST | Bushing, Shoulder                            | 100001 - 399999     |
| 4    | 0017-00101-1972 | GAT, GPT, GDT, GIT, GXT, GST | Screw: M5 X 14 Phillips Pan Head             | 100001 - 399999     |
| 5    | 0017-00101-1650 | GAT, GPT, GDT, GIT, GXT, GST | Screw: VMI 6-19 X 6 Phillips Pan Head        | 100001 - 399999     |
| 6    | 0017-00104-0456 | GAT, GPT, GDT, GIT, GXT, GST | Washer CSAFE Door                            | 100001 - 399999     |
| 7    | OK92-01010-2400 | GAT, GPT, GDT, GIT, GXT, GST | Rear Plastic Bezel Tread                     | 100001 - 399999     |
| 8    | 1002662-0001    | GAT, GPT, GDT, GIT, GXT, GST | COO-ARABIC Label                             | 100001 - 399999     |
| 9    | OK99-01001-2400 | GAT, GPT, GDT, GIT, GXT, GST | CSAFE Access Door                            | 100001 - 399999     |
| 10   | M051-00519-0000 | GAT, GPT, GDT, GIT, GXT, GST | Serial Number Label Small Rear Bezel         | 100001 - 399999     |
| 11   | 0017-00101-1971 | GAT, GPT, GDT, GIT, GXT, GST | Screw: M3 X 6 Phillips Pan Head              | 100001 - 399999     |



| Item | Part Number     | Alpha Code                   | Item Description                                 | Serial Number Range |
|------|-----------------|------------------------------|--|---------------------|
| 12   | 0017-00042-1231 | GAT, GPT, GDT, GIT, GXT, GST | Grommet, Vibration                               | 100001 - 399999     |
| 13   | 0K88-01005-0000 | GAT, GPT, GIT, GXT           | Art: Label: Energy guide                         | 100001 - 399999     |
| 14   | OK92-01016-0000 | GAT, GPT, GDT, GIT, GXT, GST | 18.5" LCD Gasket                                 | 100001 - 399999     |
| 15   | OK92-01205-2400 | GAT, GPT, GDT, GIT, GXT, GST | Reading Rack Front Tread                         | 100001 - 399999     |
| 16   | OK92-01206-2400 | GAT, GPT, GDT, GIT, GXT, GST | Reading Rack Rear Tread                          | 100001 - 399999     |
| 17   | 0K92-01233-0000 | GAT, GPT, GDT, GIT, GXT, GST | Label: Warning Tread                             | 100001 - 399999     |
| 18   | OK92-01025-0000 | GAT, GPT, GDT, GIT, GXT, GST | Life Fitness Decal Console Front                 | 100001 - 399999     |
| 19   | OK92-01003-2400 | GAT, GPT, GDT, GIT, GXT, GST | Front Plastic Bezel Tread                        | 100001 - 399999     |
| 20   | 0K92-01021-0700 | GAT, GPT, GDT, GIT, GXT, GST | Rubber Insert: Reading Rack Ledge<br>Tread Black | 100001 - 399999     |

# Option Panel



## Parts List

| Item | Part No.        | Alpha Code                   | Description                      | Serial Number Range |
|------|-----------------|------------------------------|----------------------------------|---------------------|
| 1    | B084-92391-0004 | GAT, GPT, GDT, GIT, GXT, GST | PCB-ASSY: USB/HEADPHONE ASSEMBLY | 100001 - 399999     |
| 2    | 0K92-01201-2400 | GAT, GPT, GDT, GIT, GXT, GST | PLASTIC: D2 OPTIONS PANE         | 100001 - 399999     |
| 3    | 0K92-01229-0000 | GAT, GPT, GDT, GIT, GXT, GST | CLIP: D2 CABLE CLAMP             | 100001 - 399999     |
| 4    | 0017-00101-2100 | GAT, GPT, GDT, GIT, GXT, GST | M3 X .5 X 10 PHL PAN MS ST BZ    | 100001 - 399999     |

# Kit Assemblies

| Part No.        | Alpha Code                   | Description   | Serial Number Range |
|-----------------|------------------------------|---|---------------------|
| GK92-00002-0015 | GAT, GPT, GDT, GIT, GXT, GST | Kit: Option Panel Charcoal Gray                     | 100001 - 399999     |
| GK92-00002-0012 | GAT, GPT, GDT, GIT, GXT, GST | Kit: RFID Reading Rack, Tread, Charcoal Gray        | 100001 - 399999     |
| GK92-00037-0000 | GAT, GPT, GDT, GIT, GXT, GST | Kit: 19" Touchscreen + LCD + Touch Controller Board | 100001 - 399999     |
| AK92-00267-0000 | GAT, GPT, GDT, GIT, GXT, GST | Kit: Discover RFID Installation                     | 100001 - 399999     |
| GK92-00002-0006 | GAT, GPT, GDT, GIT, GXT, GST | Kit: Bezel + Decal Tread Charcoal Gray              | 100001 - 399999     |
| IPTV-TXKIT-02   | GIT                          | Kit: Discover STB-SYNC Transmitter                  | 100001 - 399999     |
| GK92-00002-0002 | GAT, GPT, GDT, GIT, GXT, GST | Kit: Wireless Connectivity Retrofit                 | 100001 - 399999     |
| GK92-00002-0003 | GAT, GPT, GDT, GIT, GXT, GST | Kit: RFID Retrofit                                  | 100001 - 399999     |