

DISCOVER SE3HD / SE3HDv2 / ST 16 INCH LCD CONSOLE

PARTS MANUAL

16HDN-XWXXX-XX
DSEHD16-XWXXX-XX
DST16-XWXXX-XX

HAN, HPN, HDN, HIN, HXN, HSN, HUN, HWN
NAN, NPN, NPP, NDN, NIN, NXN, NSN,
JBN, JPN, JPP, JEN, JIN, JYN, JSN, JUN, JWN



Table of Contents

Console Serial Number Table	3
Option Panel	5
Plastics, Display Components & Labels	6
Main Console Components	9
Cable Routing for Tunerless Assembly	12
Tuner Assemblies	14
ATSC HDMI	14
DVB-T2 HDMI	15
PRO:IDIOM HDMI	16
ISDB-T	17
PRO:IDIOM STB RF to HDMI	18
STB-SYNC	19
ATSC USB	20
DVB-T2 USB	21
DVB-T2/S2 HD	22
RFID Assembly Components	23
Cables	26
Kit Assemblies	29
STB SYNC TRANSMITTER	29
15.6" LCD/ TOUCH PANEL KIT	30

Console Serial Number Table

ATSC / QAMB / NTSC TUNER (DOMESTIC)			
Part No.	Alpha Code	Description	Serial Number Range
16HDN-XWXXA-04	HAN	SE3HD 16" CONSOLE NON-TREAD WIRELESS ATSC/QAM/NTSC	100001 - 399999
16HDN-XWRXA-04	HAN	SE3HD 16" CONSOLE NON-TREAD WIRELESS RFID ATSC/QAM/NTSC	100001 - 399999
DSEHD16-XWXXA-01	NAN	SE3HD 16" CONSOLE NON-TREAD WIRELESS ATSC/QAM/NTSC GYMKIT	100001 - 399999
DSEHD16-XWRXA-01	NAN	SE3HD 16" CONSOLE NON-TREAD WIRELESS RFID ATSC/QAM/NTSC GYMKIT	100001 - 399999
DST16-XWXXA-01	JBN	ST 16" CONSOLE NON-TREAD WIRELESS ATSC/QAM/NTSC	100001 - 399999
DST16-XWRXA-01	JBN	ST 16" CONSOLE NON-TREAD WIRELESS RFID ATSC/QAM/NTSC	100001 - 399999

PROIDIOM QAMB TUNER (DOMESTIC)			
Part No.	Alpha Code	Description	Serial Number Range
16HDN-XWXXP-04	HPN	SE3HD 16" CONSOLE NON-TREAD WIRELESS PROIDIOM/QAM	100001 - 399999
16HDN-XWRXP-04	HPN	SE3HD 16" CONSOLE NON-TREAD WIRELESS RFID PROIDIOM/QAM	100001 - 399999
DSEHD16-XWXXP-01	NPN	SE3HD 16" CONSOLE NON-TREAD WIRELESS PROIDIOM/QAM GYMKIT	100001 - 399999
DSEHD16-XWRXP-01	NPN	SE3HD 16" CONSOLE NON-TREAD WIRELESS RFID PROIDIOM/QAM GYMKIT	100001 - 399999
DST16-XWXXP-01	JPN	ST 16" CONSOLE NON-TREAD WIRELESS PROIDIOM/QAM	100001 - 399999
DST16-XWRXP-01	JPN	ST 16" CONSOLE NON-TREAD WIRELESS RFID PROIDIOM/QAM	100001 - 399999

PROIDIOM / ATSC / QAMB / NTSC TUNER (DOMESTIC)			
Part No.	Alpha Code	Description	Serial Number Range
DSEHD16-XWXXP-02	NPP	SE3HD 16" CONSOLE NON-TREAD WIRELESS PROIDIOM/QAM GYMKIT	100001 - 399999
DSEHD16-XWRXP-02	NPP	SE3HD 16" CONSOLE NON-TREAD WIRELESS RFID PROIDIOM/QAM GYMKIT	100001 - 399999
DST16-XWXXP-03	JPP	ST 16" CONSOLE NON-TREAD WIRELESS PROIDIOM/QAM	100001 - 399999
DST16-XWRXP-03	JPP	ST 16" CONSOLE NON-TREAD WIRELESS RFID PROIDIOM/QAM	100001 - 399999

DVB-T / DVB-T2 / DVB-C DIGITAL ONLY TUNER (INTERNATIONAL)			
Part No.	Alpha Code	Description	Serial Number Range
16HDN-XWXXD-05	HDN	SE3HD 16" CONSOLE NON-TREAD WIRELESS DVBT2/DVBC/PAL/SECAM	100001 - 399999
16HDN-XWRXD-05	HDN	SE3HD 16" CONSOLE NON-TREAD WIRELESS RFID DVBT2/DVBC/PAL/SECAM	100001 - 399999
DSEHD16-XWXXD-01	NDN	SE3HD 16" CONSOLE NON-TREAD WIRELESS DVBT2/DVBC/PAL/SECAM GYMKIT	100001 - 399999
DSEHD16-XWRXD-01	NDN	SE3HD 16" CONSOLE NON-TREAD WIRELESS RFID DVBT2/DVBC/PAL/SECAM GYMKIT	100001 - 399999
DST16-XWXXD-01	JEN	ST 16" CONSOLE NON-TREAD WIRELESS DVBT2/DVBC/PAL/SECAM	100001 - 399999
DST16-XWRXD-01	JEN	ST 16" CONSOLE NON-TREAD WIRELESS RFID DVBT2/DVBC/PAL/SECAM	100001 - 399999

STB SYNC SOLUTION			
Part No.	Alpha Code	Description	Serial Number Range
16HDN-XWXXI-04	HIN	SE3HD 16" CONSOLE NON-TREAD WIRELESS STB SYNC	100001 - 399999
16HDN-XWRXI-04	HIN	SE3HD 16" CONSOLE NON-TREAD WIRELESS RFID STB SYNC	100001 - 399999
DSEHD16-XWXXI-01	NIN	SE3HD 16" CONSOLE NON-TREAD WIRELESS STB SYNC GYMKIT	100001 - 399999
DSEHD16-XWRXI-01	NIN	SE3HD 16" CONSOLE NON-TREAD WIRELESS RFID STB SYNC GYMKIT	100001 - 399999
DST16-XWXXI-01	JIN	ST 16" CONSOLE NON-TREAD WIRELESS STB SYNC	100001 - 399999
DST16-XWRXI-01	JIN	ST 16" CONSOLE NON-TREAD WIRELESS RFID STB SYNC	100001 - 399999

Console Serial Number Table (continued)

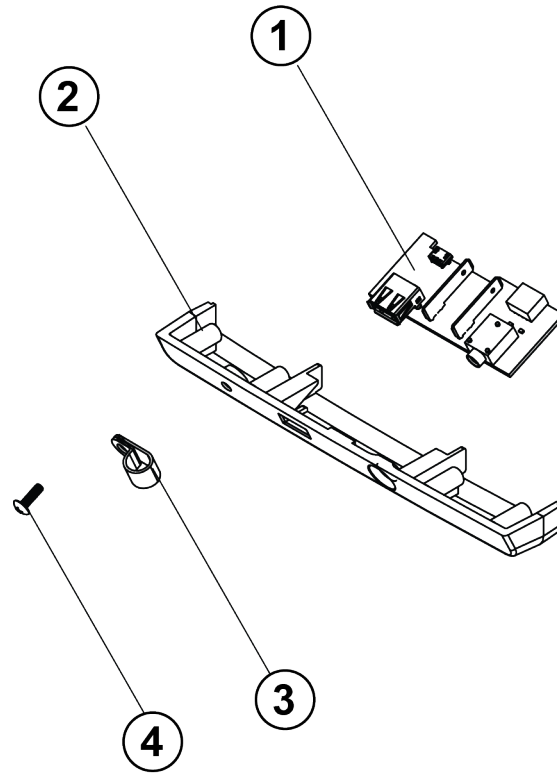
TUNERLESS SOLUTION			
Part No.	Alpha Code	Description	Serial Number Range
16HDN-XWXXX-04	HXN	SE3HD 16" CONSOLE NON-TREAD WIRELESS TUNERLESS	100001 - 399999
16HDN-XWRXX-04	HXN	SE3HD 16" CONSOLE NON-TREAD WIRELESS RFID TUNERLESS	100001 - 399999
DSEHD16-XWXXX-01	NXN	SE3HD 16" CONSOLE NON-TREAD WIRELESS TUNERLESS GYMKIT	100001 - 399999
DSEHD16-XWRXX-01	NXN	SE3HD 16" CONSOLE NON-TREAD WIRELESS RFID TUNERLESS GYMKIT	100001 - 399999
DST16-XWXXX-01	JYN	ST 16" CONSOLE NON-TREAD WIRELESS TUNERLESS	100001 - 399999
DST16-XWRXX-01	JYN	ST 16" CONSOLE NON-TREAD WIRELESS RFID TUNERLESS	100001 - 399999

ISDB-T (w/B-CAS) / NTSC TUNER			
Part No.	Alpha Code	Description	Serial Number Range
16HDN-XWXXS-04	HSN	SE3HD 16" CONSOLE NON-TREAD WIRELESS ISDBT/NTSC	100001 - 399999
16HDN-XWRXS-04	HSN	SE3HD 16" CONSOLE NON-TREAD WIRELESS RFID ISDBT/NTSC	100001 - 399999
DSEHD16-XWXXS-01	NSN	SE3HD 16" CONSOLE NON-TREAD WIRELESS ISDBT/NTSC GYMKIT	100001 - 399999
DSEHD16-XWRXS-01	NSN	SE3HD 16" CONSOLE NON-TREAD WIRELESS RFID ISDBT/NTSC GYMKIT	100001 - 399999
DST16-XWXXS-01	JSN	ST 16" CONSOLE NON-TREAD WIRELESS ISDBT/NTSC	100001 - 399999
DST16-XWRXS-01	JSN	ST 16" CONSOLE NON-TREAD WIRELESS RFID ISDBT/NTSC	100001 - 399999

ATSC / QAMB DIGITAL ONLY TUNER (DOMESTIC)			
Part No.	Alpha Code	Description	Serial Number Range
16HDN-XWXDA-03	HUN	SE3HD 16" CONSOLE NON-TREAD WIRELESS ATSC/QAM	100001 - 399999
16HDN-XWRDA-03	HUN	SE3HD 16" CONSOLE NON-TREAD WIRELESS RFID ATSC/QAM	100001 - 399999
DST16-XWXDA-01	JUN	ST 16" CONSOLE NON-TREAD WIRELESS ATSC/QAM	100001 - 399999
DST16-XWRDA-01	JUN	ST 16" CONSOLE NON-TREAD WIRELESS RFID ATSC/QAM	100001 - 399999

DVB-T / DVB-T2 / DVB-C DIGITAL ONLY TUNER (INTERNATIONAL)			
Part No.	Alpha Code	Description	Serial Number Range
16HDN-XWXDD-04	HWN	SE3HD 16" CONSOLE NON-TREAD WIRELESS DVBT2/DVBC	100001 - 399999
16HDN-XWRDD-04	HWN	SE3HD 16" CONSOLE NON-TREAD WIRELESS RFID DVBT2/DVBC	100001 - 399999
DST16-XWXDD-01	JWN	ST 16" CONSOLE NON-TREAD WIRELESS DVBT2/DVBC	100001 - 399999
DST16-XWRDD-01	JWN	ST 16" CONSOLE NON-TREAD WIRELESS RFID DVBT2/DVBC	100001 - 399999

Option Panel

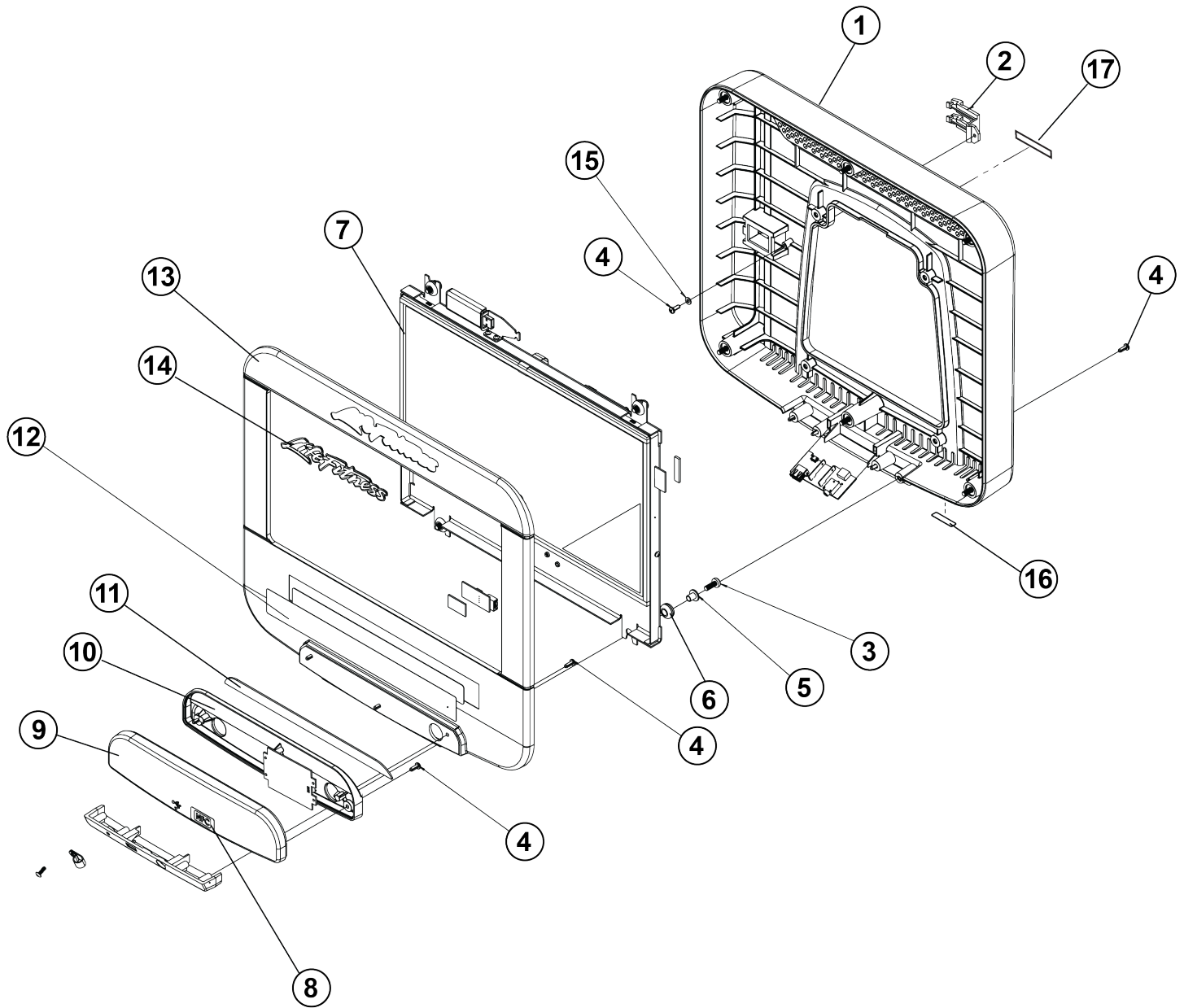


Parts List

Item	Part No.	Alpha Code		Description	Serial Number Range
1	B084-92391-0004	SE3HD:	HAN, HPN, HDN, HIN, HXN, HSN, HUN, HWN	PCB-ASSY: USB/HEADPHONE ASSEMBLY	100001 - 399999
		SE3HD GymKit:	NAN, NPN, NPP, NDN, NIN, NXN, NSN		
		ST:	JBN, JPN, JPP, JEN, JIN, JYN, JSN, JUN, JWN		
2	OK92-01201-2400	SE3HD:	HAN, HPN, HDN, HIN, HXN, HSN, HUN, HWN	PLASTIC: D2 OPTIONS PANE	100001 - 399999
		SE3HD GymKit:	NAN, NPN, NPP, NDN, NIN, NXN, NSN		
		ST:	JBN, JPN, JPP, JEN, JIN, JYN, JSN, JUN, JWN		
3	OK92-01229-0000	SE3HD:	HAN, HPN, HDN, HIN, HXN, HSN, HUN, HWN	CLIP: D2 CABLE CLAMP	100001 - 399999
		SE3HD GymKit:	NAN, NPN, NPP, NDN, NIN, NXN, NSN		
		ST:	JBN, JPN, JPP, JEN, JIN, JYN, JSN, JUN, JWN		
4	0017-00101-2100	SE3HD:	HAN, HPN, HDN, HIN, HXN, HSN, HUN, HWN	M3 X 10 PHILLIPS PAN HEAD SCREW, FRONT PANEL	100001 - 399999
		SE3HD GymKit:	NAN, NPN, NPP, NDN, NIN, NXN, NSN		
		ST:	JBN, JPN, JPP, JEN, JIN, JYN, JSN, JUN, JWN		

Plastics, Display Components & Labels

Parts List on Following Page



Plastics, Display Components & Labels (continued)

Parts List

Item	Part No.	Alpha Code		Description	Serial Number Range
1	1002894-0000	SE3HD:	HAN, HPN, HDN, HIN, HXN, HSN, HUN, HWN	REAR PLASTIC BEZEL NON-TREAD	100001 - 399999
		SE3HD GymKit:	NAN, NPN, NPP, NDN, NIN, NXN, NSN		
		ST:	JBN, JPN, JPP, JEN, JIN, JYN, JSN, JUN, JWN		
2	1003402-0001	SE3HD:	HAN, HPN, HDN, HIN, HXN, HSN, HUN, HWN	CSAFE ACCESS DOOR	100001 - 399999
		SE3HD GymKit:	NAN, NPN, NPP, NDN, NIN, NXN, NSN		
		ST:	JBN, JPN, JPP, JEN, JIN, JYN, JSN, JUN, JWN		
3	0017-00101-1972	SE3HD:	HAN, HPN, HDN, HIN, HXN, HSN, HUN, HWN	SCREW: M5 X 14 PHILLIPS PAN HEAD	100001 - 399999
		SE3HD GymKit:	NAN, NPN, NPP, NDN, NIN, NXN, NSN		
		ST:	JBN, JPN, JPP, JEN, JIN, JYN, JSN, JUN, JWN		
4	0017-00101-1650	SE3HD:	HAN, HPN, HDN, HIN, HXN, HSN, HUN, HWN	SCREW: VMI 6-19 X 6 PHILLIPS PAN HEAD	100001 - 399999
		SE3HD GymKit:	NAN, NPN, NPP, NDN, NIN, NXN, NSN		
		ST:	JBN, JPN, JPP, JEN, JIN, JYN, JSN, JUN, JWN		
5	0K58-01381-0000	SE3HD:	HAN, HPN, HDN, HIN, HXN, HSN, HUN, HWN	BUSHING, SHOULDER	100001 - 399999
		SE3HD GymKit:	NAN, NPN, NPP, NDN, NIN, NXN, NSN		
		ST:	JBN, JPN, JPP, JEN, JIN, JYN, JSN, JUN, JWN		
6	0017-00042-1160	SE3HD:	HAN, HPN, HDN, HIN, HXN, HSN, HUN, HWN	GROMMET, VIBRATION	100001 - 399999
		SE3HD GymKit:	NAN, NPN, NPP, NDN, NIN, NXN, NSN		
		ST:	JBN, JPN, JPP, JEN, JIN, JYN, JSN, JUN, JWN		
7	1003380-0001	SE3HD:	HAN, HPN, HDN, HIN, HXN, HSN, HUN, HWN	15.6" NON-TREAD CHASSIS	100001 - 399999
		SE3HD GymKit:	NAN, NPN, NPP, NDN, NIN, NXN, NSN		
		ST:	JBN, JPN, JPP, JEN, JIN, JYN, JSN, JUN, JWN		
8	1006362-0001	SE3HD:	HAN, HPN, HDN, HIN, HXN, HSN, HUN, HWN	ACTIVE NFC LABEL	100001 - 399999
		SE3HD GymKit:	NAN, NPN, NPP, NDN, NIN, NXN, NSN		
		ST:	JBN, JPN, JPP, JEN, JIN, JYN, JSN, JUN, JWN		
9	0K92-01207-2400	SE3HD:	HAN, HPN, HDN, HIN, HXN, HSN, HUN, HWN	READING RACK FRONT NON-TREAD	100001 - 399999
		SE3HD GymKit:	NAN, NPN, NPP, NDN, NIN, NXN, NSN		
		ST:	JBN, JPN, JPP, JEN, JIN, JYN, JSN, JUN, JWN		
10	0K92-01208-2400	SE3HD:	HAN, HPN, HDN, HIN, HXN, HSN, HUN, HWN	READING RACK REAR NON-TREAD	100001 - 399999
		SE3HD GymKit:	NAN, NPN, NPP, NDN, NIN, NXN, NSN		
		ST:	JBN, JPN, JPP, JEN, JIN, JYN, JSN, JUN, JWN		
11	0K92-01020-0700	SE3HD:	HAN, HPN, HDN, HIN, HXN, HSN, HUN, HWN	READING RACK RUBBER INSERT NON-TREAD	100001 - 399999
		SE3HD GymKit:	NAN, NPN, NPP, NDN, NIN, NXN, NSN		
		ST:	JBN, JPN, JPP, JEN, JIN, JYN, JSN, JUN, JWN		
12	1002200-0002	SE3HD:	HAN, HPN, HDN, HIN, HXN, HSN, HUN, HWN	WARNING LABEL NON-TREAD	100001 - 399999
		SE3HD GymKit:	NAN, NPN, NPP, NDN, NIN, NXN, NSN		
		ST:	JBN, JPN, JPP, JEN, JIN, JYN, JSN, JUN, JWN		
13	1002893-0000	SE3HD:	HAN, HPN, HDN, HIN, HXN, HSN, HUN, HWN	FRONT PLASTIC BEZEL NON-TREAD	100001 - 399999
		SE3HD GymKit:	NAN, NPN, NPP, NDN, NIN, NXN, NSN		
		ST:	JBN, JPN, JPP, JEN, JIN, JYN, JSN, JUN, JWN		
14	0K92-01025-0000	SE3HD:	HAN, HPN, HDN, HIN, HXN, HSN, HUN, HWN	LIFE FITNESS DECAL CONSOLE FRONT	100001 - 399999
		SE3HD GymKit:	NAN, NPN, NPP, NDN, NIN, NXN, NSN		
		ST:	JBN, JPN, JPP, JEN, JIN, JYN, JSN, JUN, JWN		

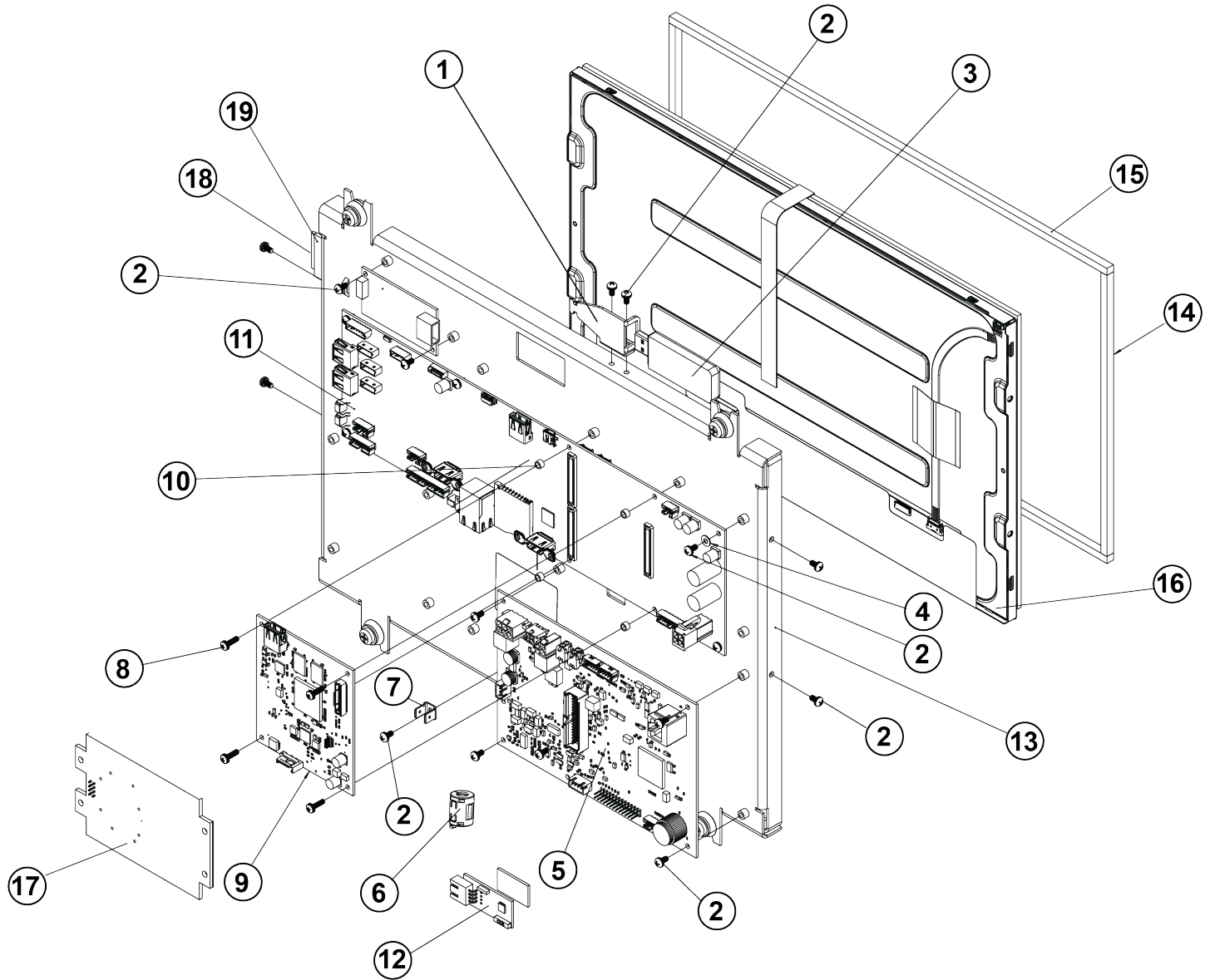
Plastics, Display Components & Labels (continued)

Parts List

Item	Part No.	Alpha Code		Description	Serial Number Range
15	0017-00104-0456	SE3HD:	HAN, HPN, HDN, HIN, HXN, HSN, HUN, HWN	WASHER	100001 - 399999
		SE3HD GymKit:	NAN, NPN, NPP, NDN, NIN, NXN, NSN		
		ST:	JBN, JPN, JPP, JEN, JIN, JYN, JSN, JUN, JWN		
16	M051-00519-0000	SE3HD:	HAN, HPN, HDN, HIN, HXN, HSN, HUN, HWN	SERIAL NUMBER LABEL SMALL REAR BEZEL	100001 - 399999
		SE3HD GymKit:	NAN, NPN, NPP, NDN, NIN, NXN, NSN		
		ST:	JBN, JPN, JPP, JEN, JIN, JYN, JSN, JUN, JWN		
17	1002662-0001	SE3HD:	HAN, HPN, HDN, HIN, HXN, HSN, HUN, HWN	COO-ARABIC LABEL	100001 - 399999
		SE3HD GymKit:	NAN, NPN, NPP, NDN, NIN, NXN, NSN		
		ST:	JBN, JPN, JPP, JEN, JIN, JYN, JSN, JUN, JWN		

Main Console Components

Parts List on Following Page



Main Console Components (continued)

Parts List

Item	Part No.	Alpha Code		Description	Serial Number Range
1	0K92-01222-0000	SE3HD:	HAN, HPN, HDN, HIN, HXN, HSN, HUN, HWN	WIRELESS CONNECTIVITY BRACKET	100001 - 399999
		SE3HD GymKit:	NAN, NPN, NPP, NDN, NIN, NXN, NSN		
		ST:	JBN, JPN, JPP, JEN, JIN, JYN, JSN, JUN, JWN		
2	0017-00101-2117	SE3HD:	HAN, HPN, HDN, HIN, HXN, HSN, HUN, HWN	SCREW: M3 X 6 PHILLIPS PAN HEAD W/ WASHER	100001 - 399999
		SE3HD GymKit:	NAN, NPN, NPP, NDN, NIN, NXN, NSN		
		ST:	JBN, JPN, JPP, JEN, JIN, JYN, JSN, JUN, JWN		
3	1002216-0000	SE3HD:	HAN, HPN, HDN, HIN, HXN, HSN, HUN, HWN	WIRELESS CONNECTIVITY MODULE	100001 - 399999
		SE3HD GymKit:	NAN, NPN, NPP, NDN, NIN, NXN, NSN		
		ST:	JBN, JPN, JPP, JEN, JIN, JYN, JSN, JUN, JWN		
4	0K92-01230-0000	SE3HD:	HAN, HPN, HDN, HIN, HXN, HSN, HUN, HWN	SPACER, PLASTIC	100001 - 399999
		SE3HD GymKit:	NAN, NPN, NPP, NDN, NIN, NXN, NSN		
		ST:	JBN, JPN, JPP, JEN, JIN, JYN, JSN, JUN, JWN		
5	A084-92386-0000	SE3HD:	HAN, HPN, HDN, HIN, HXN, HSN, HUN, HWN	PROGRAMMED MIB BOARD (B084-92386-0000)	100001 - 399999
		SE3HD GymKit:	NAN, NPN, NPP, NDN, NIN, NXN, NSN		
		ST:	JBN, JPN, JPP, JEN, JIN, JYN, JSN, JUN, JWN		
6	121E-00001-0025	SE3HD:	HAN, HPN, HDN, HIN, HXN, HSN, HUN, HWN	CLAMP FILTER: FERRITE CORE WITH CASE	100001 - 399999
		SE3HD GymKit:	NAN, NPN, NPP, NDN, NIN, NXN, NSN		
		ST:	JBN, JPN, JPP, JEN, JIN, JYN, JSN, JUN, JWN		
7	0017-00021-3368	SE3HD:	HAN, HPN, HDN, HIN, HXN, HSN, HUN, HWN	QUICK DISCONNECT TERMINAL	100001 - 399999
		SE3HD GymKit:	NAN, NPN, NPP, NDN, NIN, NXN, NSN		
		ST:	JBN, JPN, JPP, JEN, JIN, JYN, JSN, JUN, JWN		
8	0017-00101-2016	SE3HD:	HAN, HPN, HDN, HIN, HXN, HSN, HUN, HWN	SCREW: M3 X 10 PHILLIPS PAN HEAD	100001 - 399999
		SE3HD GymKit:	NAN, NPN, NPP, NDN, NIN, NXN, NSN		
		ST:	JBN, JPN, JPP, JEN, JIN, JYN, JSN, JUN, JWN		
9		SE3HD:	HAN, HPN, HDN, HIN, HXN, HSN, HUN, HWN	PROGRAMMED PCB: IMX6 64GB COMM BOARD ** SEE NOTE BELOW	100001 - 399999
		SE3HD GymKit:	NAN, NPN, NPP, NDN, NIN, NXN, NSN		
		ST:	JBN, JPN, JPP, JEN, JIN, JYN, JSN, JUN, JWN		
10	0017-00009-1335	SE3HD:	HAN, HPN, HDN, HIN, HXN, HSN, HUN, HWN	SPACER, ROUND	100001 - 399999
		SE3HD GymKit:	NAN, NPN, NPP, NDN, NIN, NXN, NSN		
		ST:	JBN, JPN, JPP, JEN, JIN, JYN, JSN, JUN, JWN		
11	1006365-0011	SE3HD:	HAN, HPN, HDN, HIN, HXN, HSN, HUN, HWN	DISCOVER HD CARRIER BOARD, V7	100001 - 399999
		SE3HD GymKit:	NAN, NPN, NPP, NDN, NIN, NXN, NSN		
		ST:	JBN, JPN, JPP, JEN, JIN, JYN, JSN, JUN, JWN		
12	118E-00001-0244	SE3HD:	HAN, HPN, HDN, HIN, HXN, HSN, HUN, HWN	POLAR CODED HEART RATE RECEIVER RE07L	100001 - 399999
		SE3HD GymKit:	NAN, NPN, NPP, NDN, NIN, NXN, NSN		
		ST:	JBN, JPN, JPP, JEN, JIN, JYN, JSN, JUN, JWN		
13	1003380-0001	SE3HD:	HAN, HPN, HDN, HIN, HXN, HSN, HUN, HWN	15.6" NON-TREAD CHASSIS	100001 - 399999
		SE3HD GymKit:	NAN, NPN, NPP, NDN, NIN, NXN, NSN		
		ST:	JBN, JPN, JPP, JEN, JIN, JYN, JSN, JUN, JWN		

**** NOTE: REPLACING IMX6 COMM BOARD REQUIRES A CONSOLE REPLACEMENT. SEE KNOWLEDGE BASE ARTICLE <https://lifefitness9512.zendesk.com/hc/en-us/articles/360044031414-Life-Fitness-Discover-SE3HD-and-ST-Comm-Board-Replacement>**

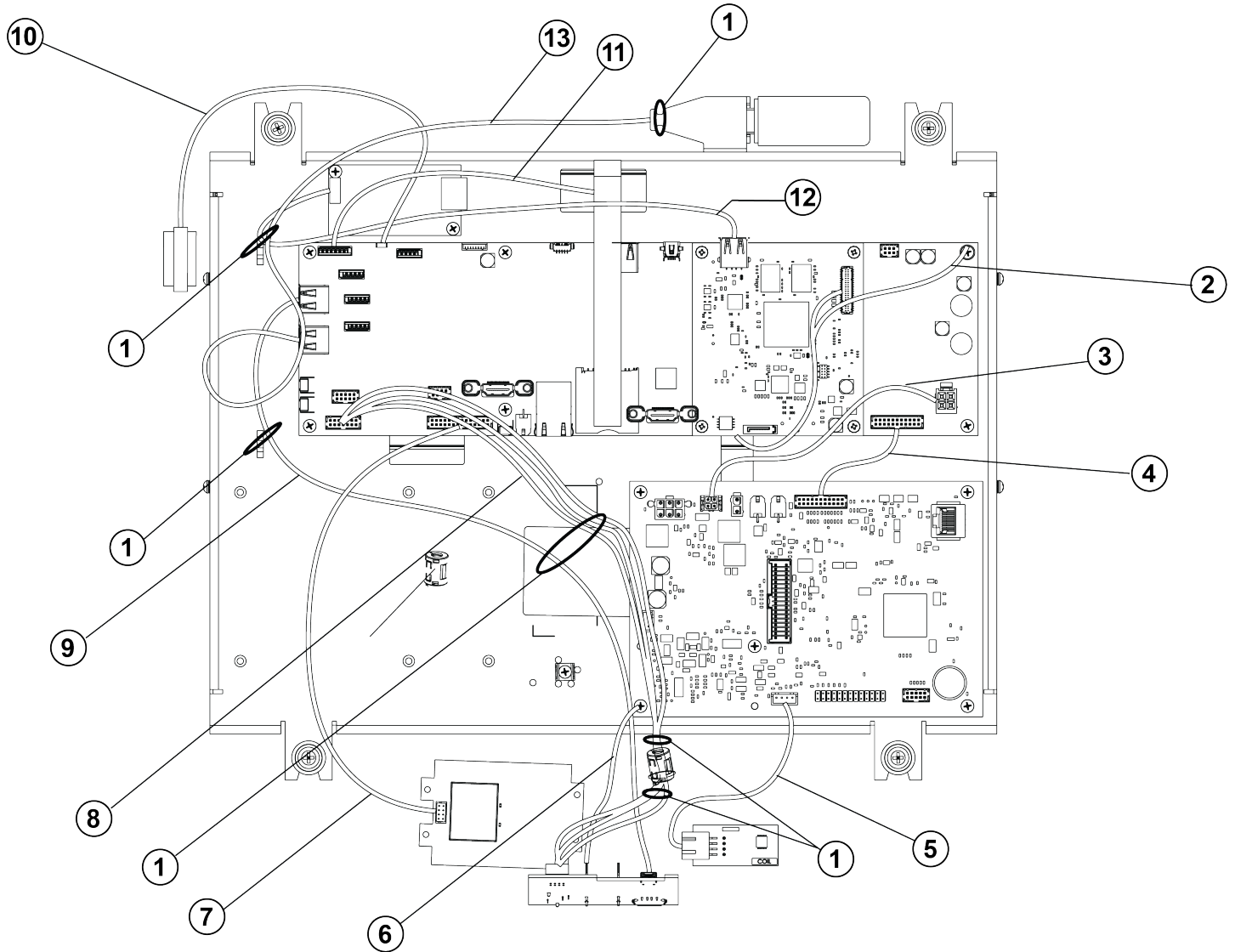
Main Console Components (continued)

Parts List

Item	Part No.	Alpha Code		Description	Serial Number Range
14	1002936-0003	SE3HD:	HAN, HPN, HDN, HIN, HXN, HSN, HUN, HWN	15.6" LCD GASKET VERTICAL	100001 - 399999
		SE3HD GymKit:	NAN, NPN, NPP, NDN, NIN, NXN, NSN		
		ST:	JBN, JPN, JPP, JEN, JIN, JYN, JSN, JUN, JWN		
15	1002936-0004	SE3HD:	HAN, HPN, HDN, HIN, HXN, HSN, HUN, HWN	15.6" LCD GASKET HORIZONTAL	100001 - 399999
		SE3HD GymKit:	NAN, NPN, NPP, NDN, NIN, NXN, NSN		
		ST:	JBN, JPN, JPP, JEN, JIN, JYN, JSN, JUN, JWN		
16	1021628-0001	SE3HD:	HAN, HPN, HDN, HIN, HXN, HSN, HUN, HWN	KIT: 15.6" LCD PANEL & TOUCH SCREEN ASSEMBLY	100001 - 399999
		SE3HD GymKit:	NAN, NPN, NPP, NDN, NIN, NXN, NSN		
		ST:	JBN, JPN, JPP, JEN, JIN, JYN, JSN, JUN, JWN		
17	1007521-0011	SE3HD:	HAN, HPN, HDN, HIN, HXN, HSN, HUN, HWN	ACTIVE NFC MODULE GYMKIT: PN7150	100001 - 399999
		SE3HD GymKit:	NAN, NPN, NPP, NDN, NIN, NXN, NSN		
		ST:	JBN, JPN, JPP, JEN, JIN, JYN, JSN, JUN, JWN		
18	0K39-01044-0001	SE3HD:	HAN, HPN, HDN, HIN, HXN, HSN, HUN, HWN	DOUBLE SIDED ADHESIVE	100001 - 399999
		SE3HD GymKit:	NAN, NPN, NPP, NDN, NIN, NXN, NSN		
		ST:	JBN, JPN, JPP, JEN, JIN, JYN, JSN, JUN, JWN		
19	118E-00001-0289	SE3HD:	HAN, HPN, HDN, HIN, HXN, HSN, HUN, HWN	BLUETOOTH DUAL MODE 4.0 MODULE	100001 - 399999
		SE3HD GymKit:	NAN, NPN, NPP, NDN, NIN, NXN, NSN		
		ST:	JBN, JPN, JPP, JEN, JIN, JYN, JSN, JUN, JWN		

Cable Routing for a Tunerless Assembly

Parts List on Following Page

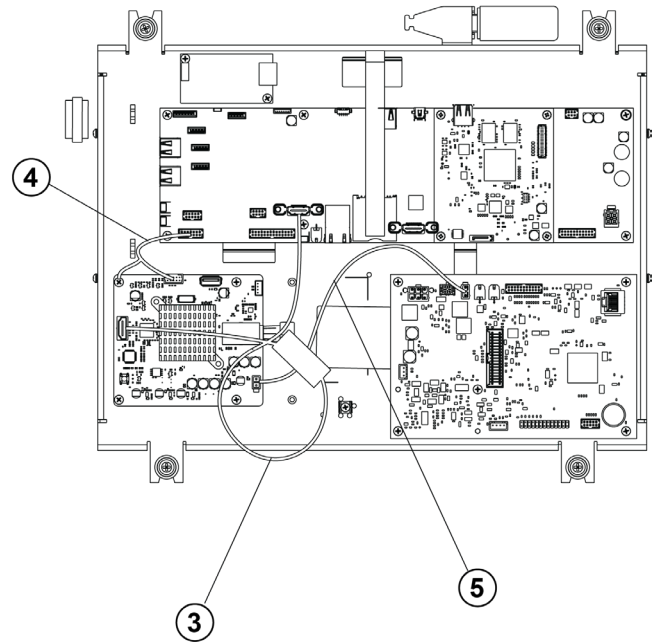
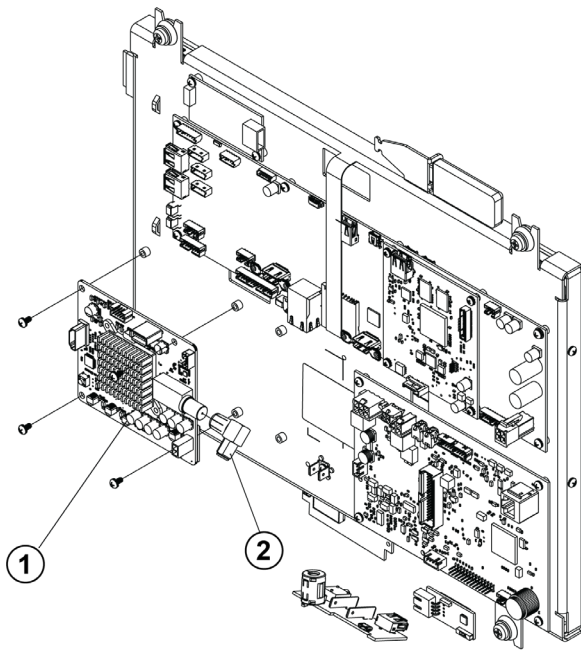


Cable Routing for a Tunerless Assembly (continued)

Parts List

Item	Part Number	Alpha Code		Description	Serial Number Range
1	0017-00042-0622	SE3HD:	HAN, HPN, HDN, HIN, HXN, HSN, HUN, HWN	CABLE TIE	100001 - 399999
		SE3HD GymKit:	NAN, NPN, NPP, NDN, NIN, NXN, NSN		
		ST:	JBN, JPN, JPP, JEN, JIN, JYN, JSN, JUN, JWN		
Cables - See Cables Section					
2	1006307-0001 (Item 8 Cables Section)	CABLE: COM DUAL LVDS TO LCD DUAL LVDS NON-TREAD			
3	AK92-00006-0000 (Item 1 Cables Section)	CABLE: CARRIER 24V TO MIB 24V			
4	AK92-00073-0000 (Item 32 Cables Section)	CABLE: USB TYPE A (M) TO TYPE A (F); 19.7", 28 AWG, BLACK			
5	AK92-00019-0000 (Item 9 Cables Section)	CABLE: MIB TO POLAR			
6	AK65-00103-0000 (Item 11 Cables Section)	CABLE: GROUND ESD			
7	1005490-0001 (Item 12 Cables Section)	CABLE: ACTIVE NFC			
8	AK92-00015-0001 (Item 5 Cables Section)	CABLE: CARRIER HEADPHONE TO OPTION PANEL			
9	AK92-00072-0000 (Item 4 Cables Section)	CABLE: USB TYPE A TO MICRO B			
10	AK92-00020-0000 (Item 3 Cables Section)	CABLE: CARRIER USB TO BLUETOOTH			
11	1004949-0001 (Item 7 Cables Section)	CABLE: CARRIER BACKLIGHT TO LCD BACKLIGHT			
12	AK92-00082-0000 (Item 2 Cables Section)	CABLE: TOUCH CONTROLLER CABLE (TO IMX6)			
13	1003263-0002 (Item 10 Cables Section)	CABLE: USB TYPE A (M) TO TYPE A (F)			

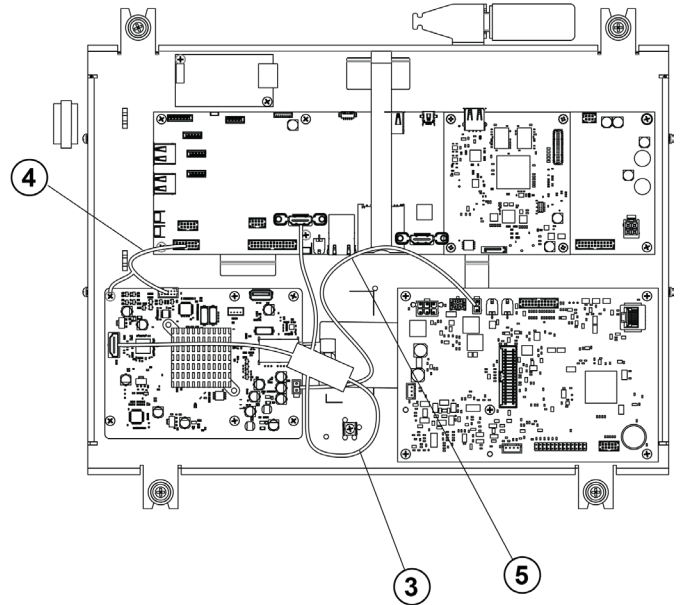
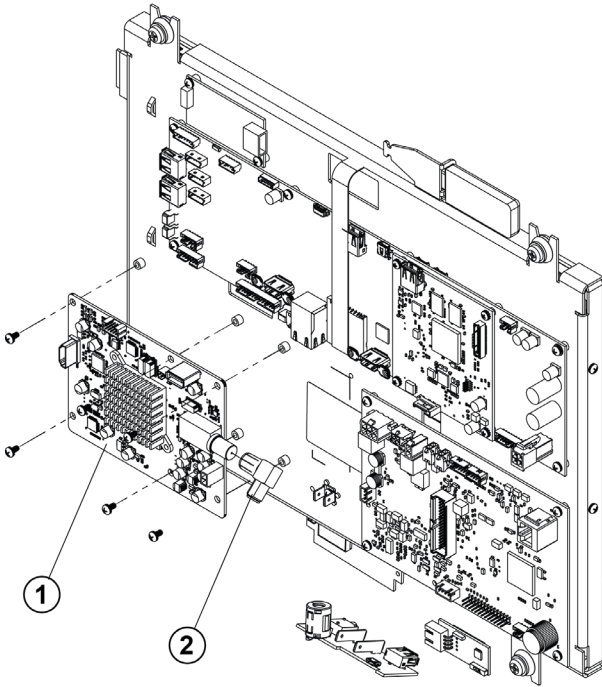
Tuner Assemblies - ATSC HDMI



Parts List

ATSC HDMI Digital Tuner Board W/H.264					
Item	Part Number	Alpha Code		Description	Serial Number Range
1	A084-92516-0001	SE3HD:	HAN	PROGRAMMED ATSC HDMI DIGITAL TUNER BOARD W/H.264 (B084-92516-0001)	100001 - 399999
		SE3HD GymKit:	NAN		
		ST:	JBN		
2	1006406-0001	SE3HD:	HAN	RIGHT ANGLE COAXIAL TYPE-F ADAPTER	100001 - 399999
		SE3HD GymKit:	NAN		
		ST:	JBN		
Cables - See Cables Section					
3	A1008046-0001 <i>(Item 13 Cables Section)</i>			CABLE: SWIFT TUNER HDMI WITH MOLDED FERRITE	
4	A10092-00264-0000 <i>(Item 14 Cables Section)</i>			CABLE: SWIFT I2C AND AUDIO	
5	A10092-00265-0001 <i>(Item 15 Cables Section)</i>			CABLE: SWIFT TUNER 12V DC POWER CABLE	

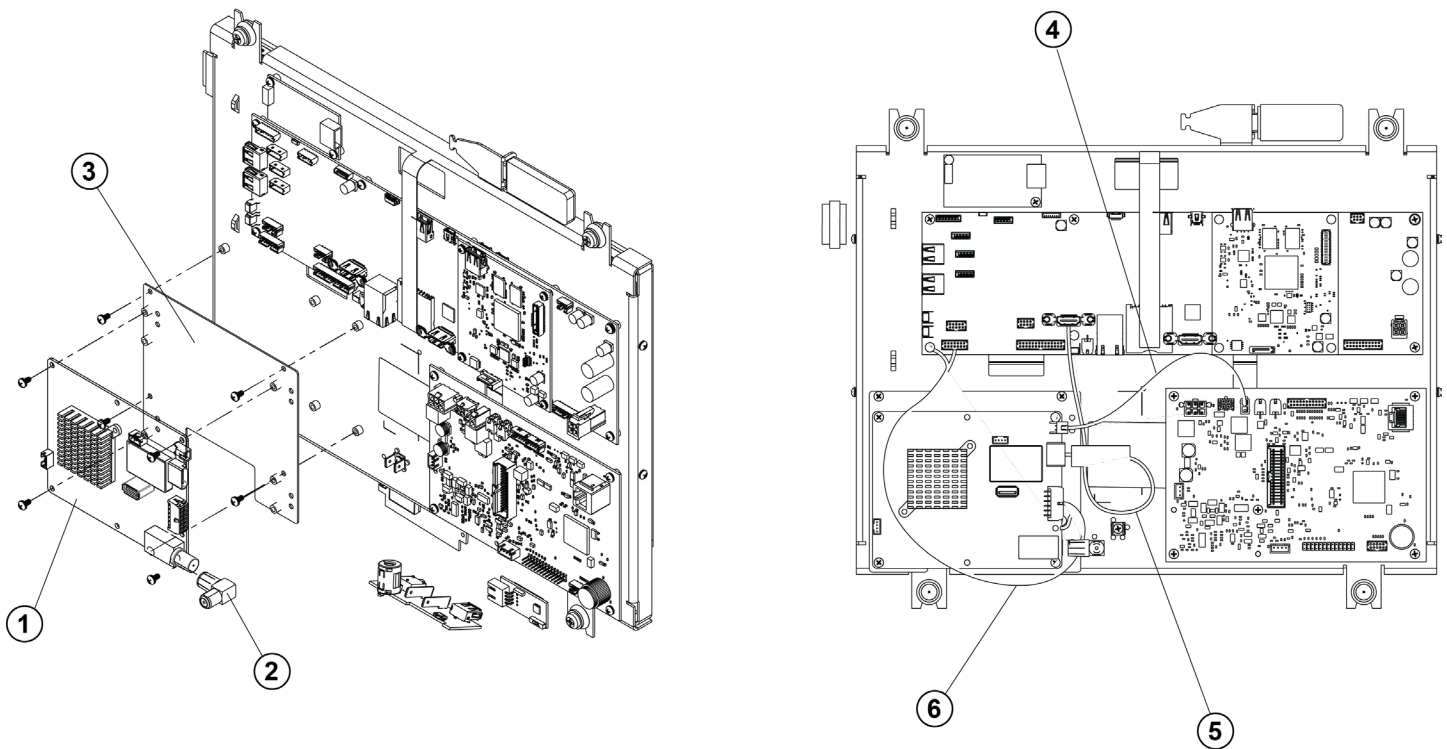
Tuner Assemblies - DVB-T2 HDMI



Parts List

DVB-T2 HDMI Digital Tuner Board					
Item	Part Number	Alpha Code		Description	Serial Number Range
1	A084-92517-0000	SE3HD:	HDN	PROGRAMMED DVB-T2 HDMI DIGITAL TUNER BOARD (B084-92517-0000)	100001 - 399999
		SE3HD GymKit:	NDN		
		ST:	JEN		
2	1006406-0001	SE3HD:	HDN	RIGHT ANGLE COAXIAL TYPE-F ADAPTER	100001 - 399999
		SE3HD GymKit:	NDN		
		ST:	JEN		
Cables - See Cables Section					
3	A1008046-0001 (Item 13 Cables Section)	CABLE: SWIFT TUNER HDMI WITH MOLDED FERRITE			
4	A1AK92-00264-0000 (Item 14 Cables Section)	CABLE: SWIFT I2C AND AUDIO			
5	A1AK92-00265-0001 (Item 15 Cables Section)	CABLE: SWIFT TUNER 12V DC POWER CABLE			

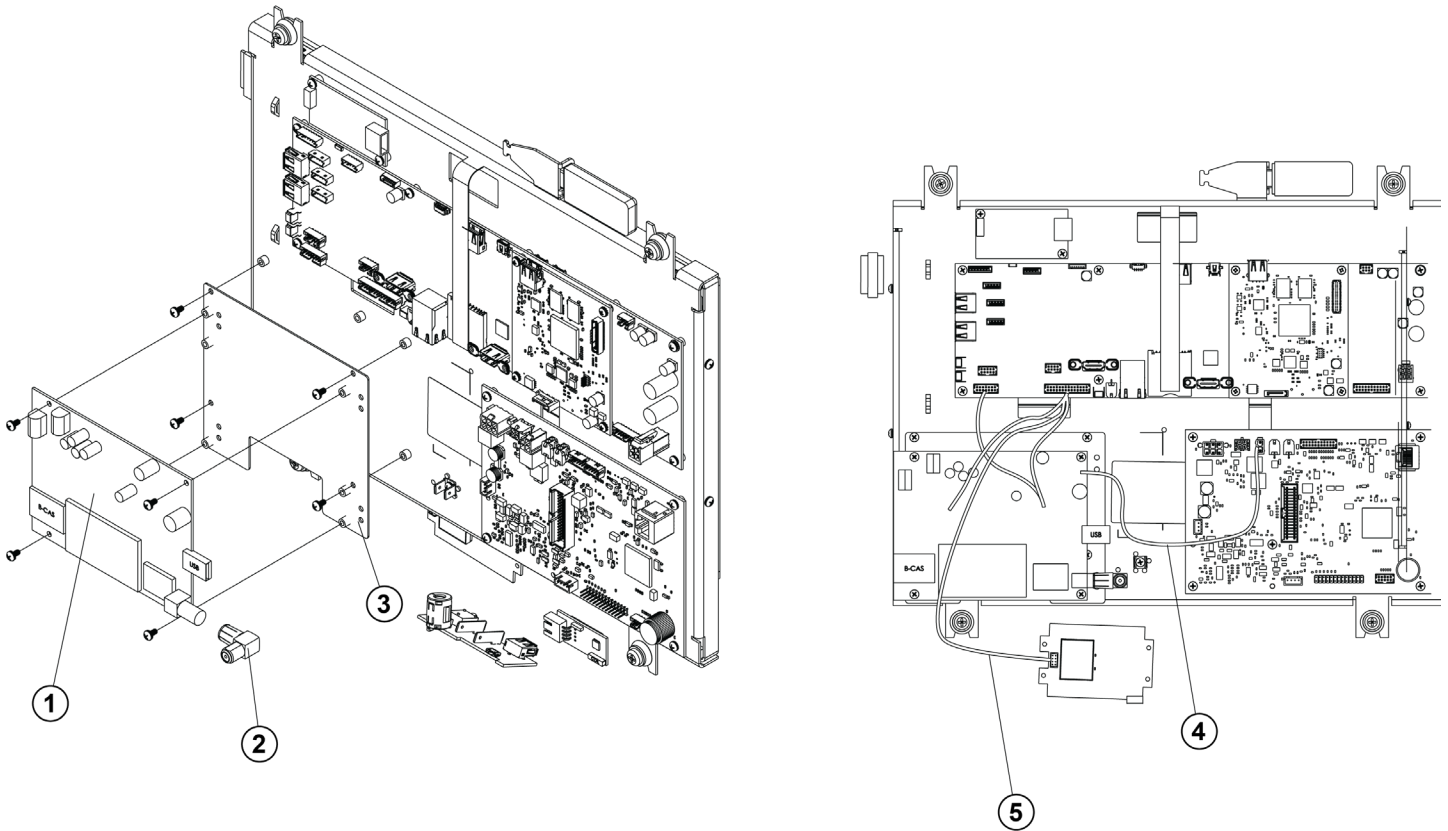
Tuner Assemblies - PRO:IDIOM HDMI



Parts List

Pro:Idiom HDMI Tuner					
Item	Part Number	Alpha Code		Description	Serial Number Range
1	1010116-0001	SE3HD GymKit:	NPP	PROGRAMMED PCB: PRO:IDIOM HDMI DIGITAL TUNER BOARD	100001 - 399999
		ST:	JPP		
2	1006406-0001	SE3HD GymKit:	NPP	RIGHT ANGLE COAXIAL TYPE-F ADAPTER	100001 - 399999
		ST:	JPP		
3	1010416-0001	SE3HD GymKit:	NPP	PRO:IDIOM HDMI & ISDB TUNER BRACKET	100001 - 399999
		ST:	JPP		
Cables - See Cables Section					
4	1004460-0001 (Item 24 Cables Section)	CABLE: 12V POWER DCI TUNER			
5	1010371-0001 (Item 27 Cables Section)	CABLE: PROIDIOM TUNER I2C AND AUDIO			
6	1011047-0001 (Item 28 Cables Section)	CABLE: PROIDIOM TUNER HDMI			

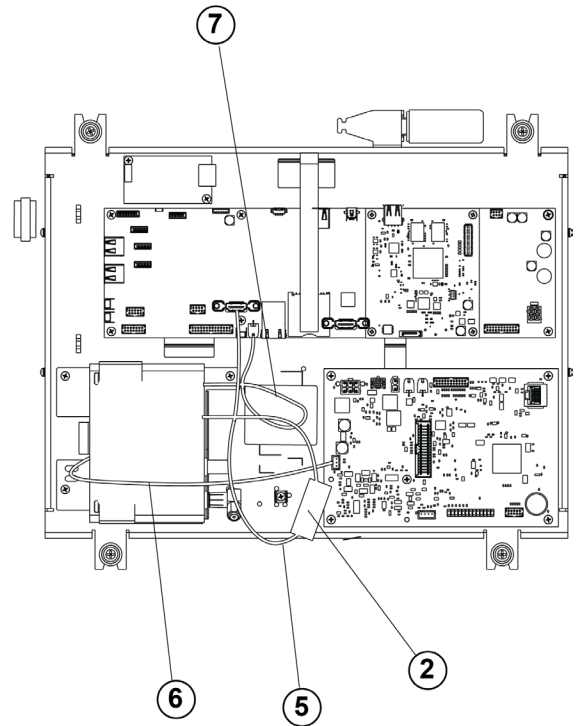
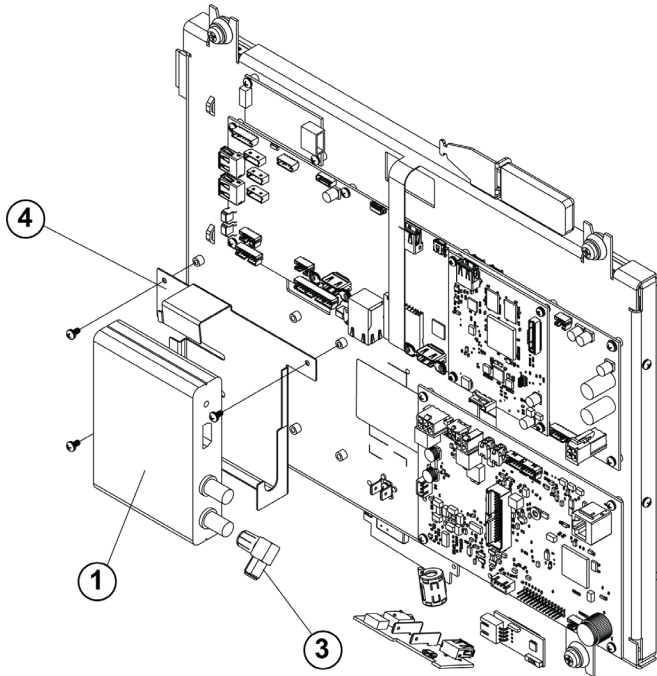
Tuner Assemblies - ISDB-T



Parts List

ISDB-T Tuner (DCI)					
Item	Part Number	Alpha Code		Description	Serial Number Range
1	1004461-0001	SE3HD:	HSN	ISDB-T TUNER (DCI)	100001 - 399999
		SE3HD GymKit:	NSN		
		ST:	JSN		
2	1006406-0001	SE3HD:	HSN	RIGHT ANGLE COAXIAL TYPE-F ADAPTER	100001 - 399999
		SE3HD GymKit:	NSN		
		ST:	JSN		
3	1010416-0001	SE3HD:	HSN	PRO:IDIOM HDMI & ISDB TUNER BRACKET	100001 - 399999
		SE3HD GymKit:	NSN		
		ST:	JSN		
Cables - See Cables Section					
4	1004460-0001 (Item 24 Cables Section)	CABLE: 12V POWER DCI TUNER			
5	1009236-0001 (Item 29 Cables Section)	CABLE: ACTIVE NFC DCI TUNER AUDIO/VIDEO/COMM (GYMKIT VERSION)			
	1006104-0001 (Item 25 Cables Section)	CABLE: DCI TUNER AUDIO/VIDEO **REPLACE 1006104-0001 WITH 1009236-0001			
	1006103-0001 (Item 26 Cables Section)	CABLE: ACTIVE NFC DCI TUNER COMM **REPLACE 1006103-0001 WITH 1009236-0001			

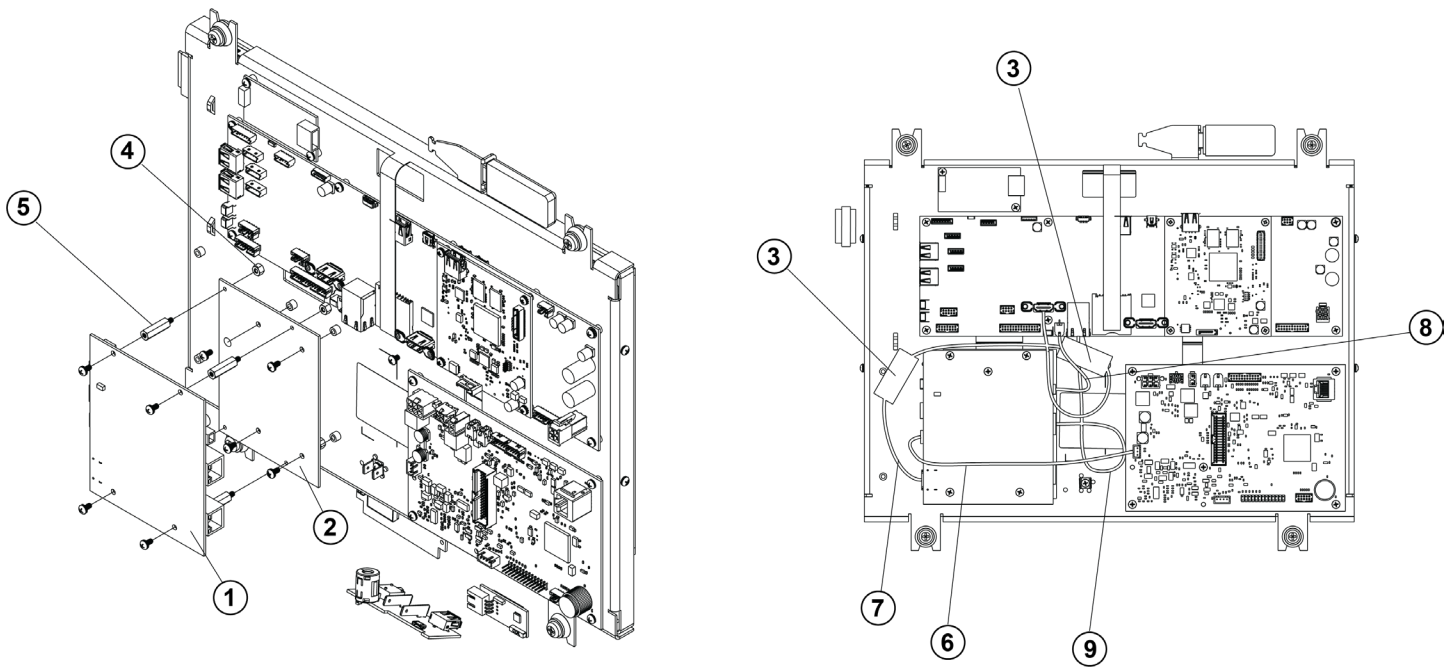
Tuner Assemblies - PRO:IDIOM STB RF to HDMI



Parts List

Pro:Idiom STB RF to HDMI					
Item	Part Number	Alpha Code		Description	Serial Number Range
1	118E-00001-0312	SE3HD:	HPN	PRO:IDIOM STB RF TO HDMI	100001 - 399999
		SE3HD GymKit:	NPN		
		ST:	JPN		
2	1006779-0001	SE3HD:	HPN	SNAP ON FERRITE	100001 - 399999
		SE3HD GymKit:	NPN		
		ST:	JPN		
3	1006406-0001	SE3HD:	HPN	RIGHT ANGLE COAXIAL TYPE-F ADAPTER	100001 - 399999
		SE3HD GymKit:	NPN		
		ST:	JPN		
4	1003138-0001	SE3HD:	HPN	PI STB BRACKET	100001 - 399999
		SE3HD GymKit:	NPN		
		ST:	JPN		
Cables - See Cables Section					
5	AK92-00268-0000 (Item 21 Cables Section)	CABLE: HDMI PI STB TO CARRIER BD			
6	AK92-00269-0000 (Item 22 Cables Section)	CABLE: MIB IR TO PI STB IR			
7	AK92-00270-0000 (Item 23 Cables Section)	CABLE: 5V POWER PI STB			

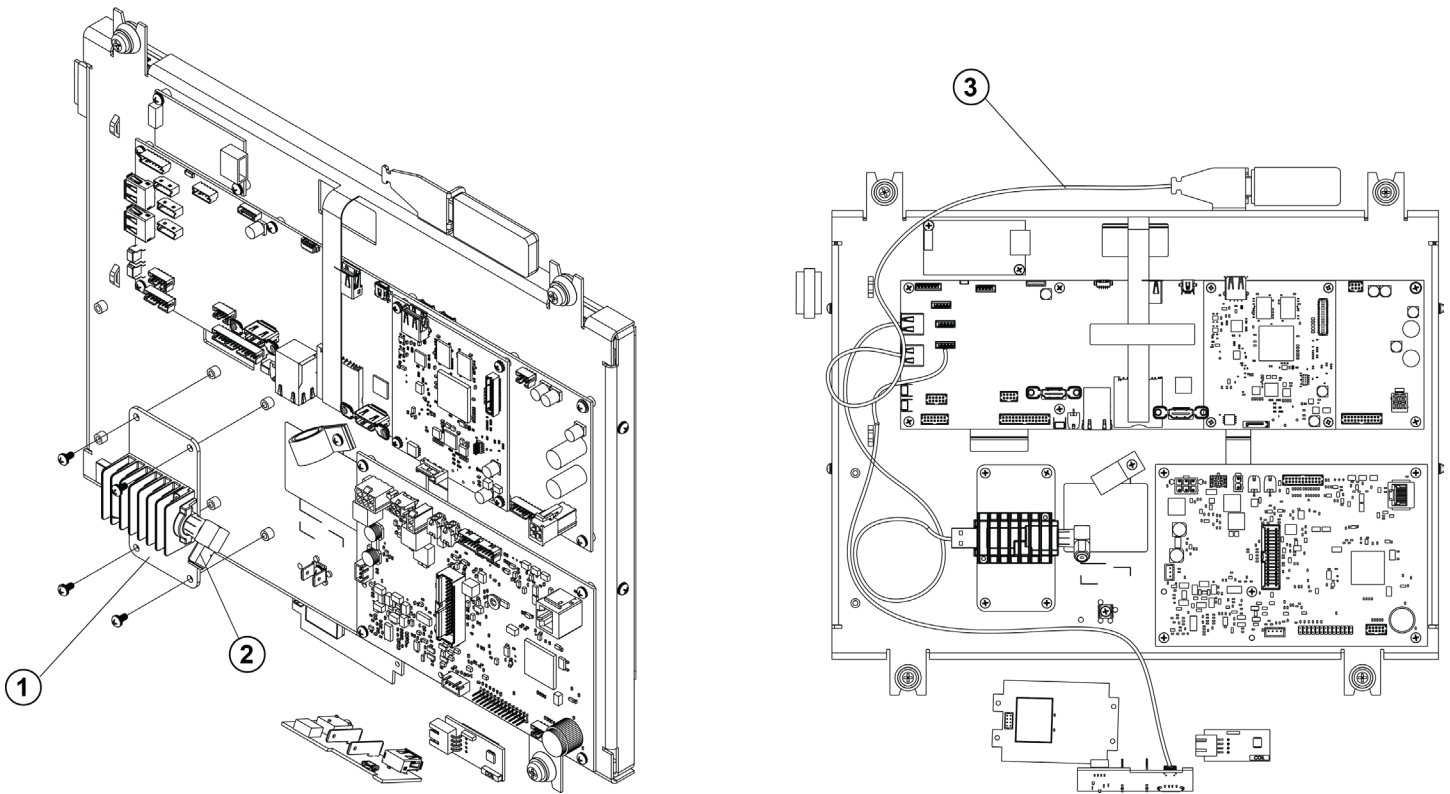
Tuner Assemblies - STB-SYNC



Parts List

STB - SYNC Receiver Board (Atlona)					
Item	Part Number	Alpha Code		Description	Serial Number Range
1	118E-00001-0300	SE3HD:	HIN	STB-SYNC RECEIVER BOARD (ATLONA)	100001 - 399999
		SE3HD GymKit:	NIN		
		ST:	JIN		
2	0K92-01085-0000	SE3HD:	HIN	STB-SYNC RECEIVER BOARD CHASSIS MOUNTING PLATE	100001 - 399999
		SE3HD GymKit:	NIN		
		ST:	JIN		
3	0017-00021-3386	SE3HD:	HIN	SNAP ON FERRITE	100001 - 399999
		SE3HD GymKit:	NIN		
		ST:	JIN		
4	0017-00009-1343	SE3HD:	HIN	FEMALE THREADED HEX STANDOFF	100001 - 399999
		SE3HD GymKit:	NIN		
		ST:	JIN		
5	0017-00009-1342	SE3HD:	HIN	MALE-FEMALE THREADED HEX STANDOFF	100001 - 399999
		SE3HD GymKit:	NIN		
		ST:	JIN		
Cables - See Cables Section					
6	AK92-00009-0000 (Item 17 Cables Section)			CABLE: MIB IR TO HDMI EXT. RCVR IR	
7	AK92-00014-0000 (Item 18 Cables Section)			CABLE: HDMI EXT. RCVR BD TO CARRIER BD	
8	AK92-00018-0000 (Item 19 Cables Section)			CABLE: 5V CARRIER TO HDMI EXT. RCVR BD	
9	AK70-00092-0003 (Item 20 Cables Section)			CABLE: CAT5E HDMI EXT. RCVR TO CARRIER	

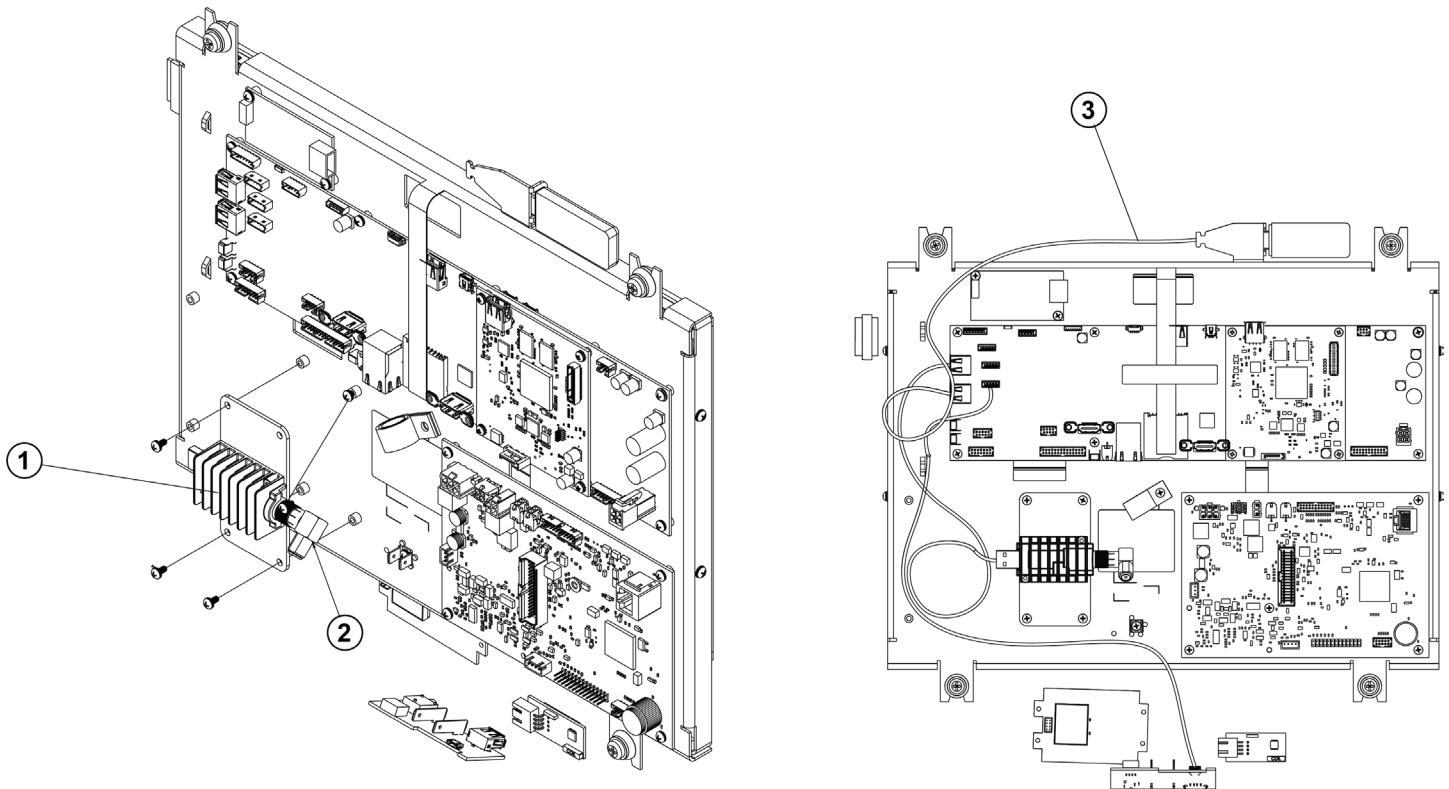
Tuner Assemblies - ATSC USB



Parts List

ATSC USB Tuner					
Item	Part Number	Alpha Code		Description	Serial Number Range
1	AK92-00258-0000	SE3HD:	HUN	ATSC USB TUNER (NLA: REPLACE WITH A084-92516-0001 AND CORRESPONDING CABLES) SEE ATSC HDMI SECTION	100001 - 399999
		ST:	JUN		
2	1006406-0001	SE3HD:	HUN	RIGHT ANGLE COAXIAL TYPE-F ADAPTER	100001 - 399999
		ST:	JUN		
Cables - See Cables Section					
3	1003263-0002 (Item 10 Cables Section)	CABLE: USB TYPE A (M) TO TYPE A (F)			

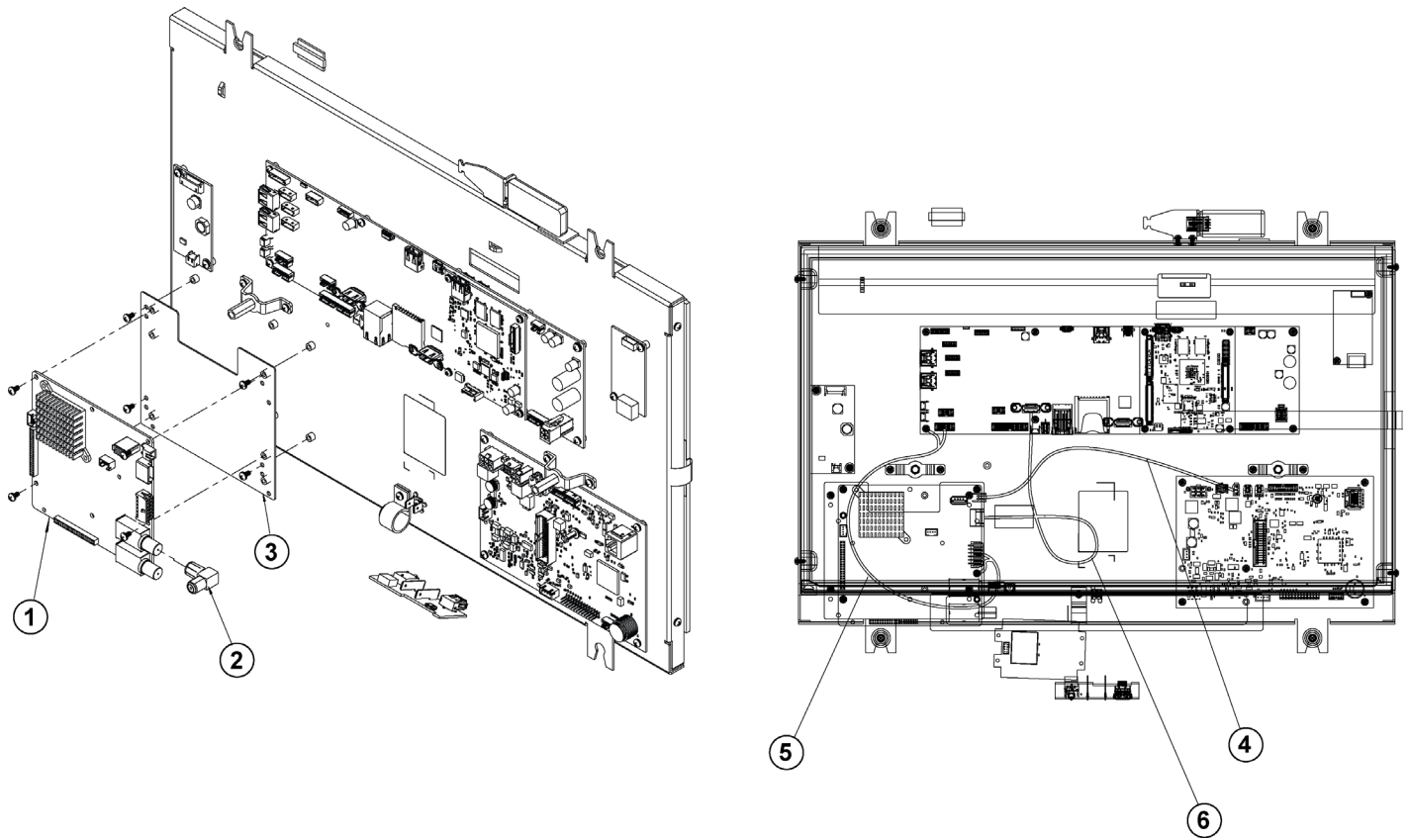
Tuner Assemblies - DVB-T2 USB



Parts List

DVB-T2 USB Tuner					
Item	Part Number	Alpha Code		Description	Serial Number Range
1	AK92-00258-0001	SE3HD:	HWN	DVB-T2 USB TUNER (NLA: REPLACE WITH A084-92517-0000 AND CORRESPONDING CABLES) SEE DVB-T2 HDMI SECTION	100001 - 399999
		ST:	JWN		
2	1006406-0001	SE3HD:	HWN	RIGHT ANGLE COAXIAL TYPE-F ADAPTER	100001 - 399999
		ST:	JWN		
Cables - See Cables Section					
3	1003263-0002 (Item 10 Cables Section)	CABLE: USB TYPE A (M) TO TYPE A (F)			

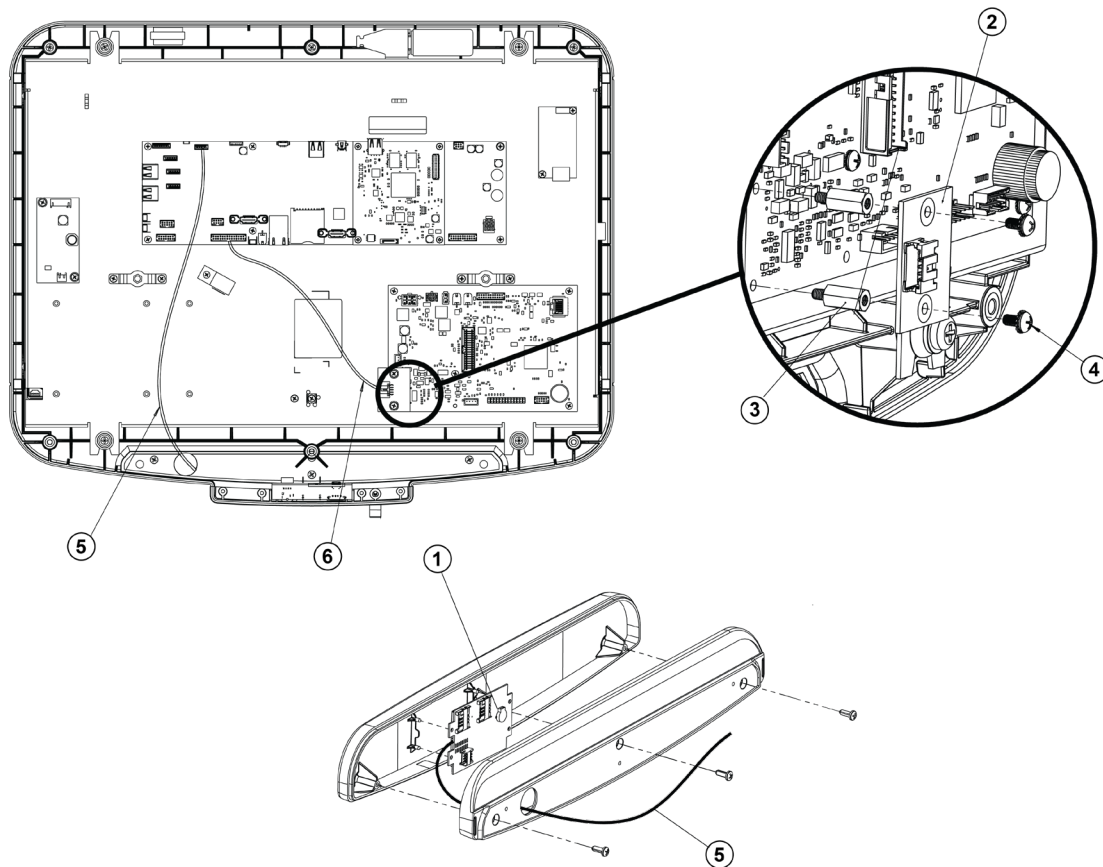
Tuner Assemblies - DVB-T2 / S2 HD Tuner



Parts List

DVB-T2 / S2 HD Tuner					
Item	Part Number	Alpha Code		Description	Serial Number Range
1	1012090-0001	SE3HD GymKit:	NPU	PC BOARD ASSY: DVB-T2 / S2 HD TUNER	100001 - 399999
		ST:	JPU		
2	1006406-0001	SE3HD GymKit:	NPU	RIGHT ANGLE COAXIAL TYPE-F ADAPTER	100001 - 399999
		ST:	JPU		
3	1010416-0001	SE3HD GymKit:	NPU	PRO:IDIOM HDMI & ISDB TUNER BRACKET	100001 - 399999
		ST:	JPU		
Cables - See Cables Section					
4	1004460-0001 (Item 23 Cables Section)	CABLE: 12V POWER DCI TUNER			
5	1010371-0001 (Item 26 Cables Section)	CABLE: PROIDIOM TUNER HDMI			
6	1011047-0001 (Item 27 Cables Section)	CABLE: PROIDIOM TUNER I2C AND AUDIO			

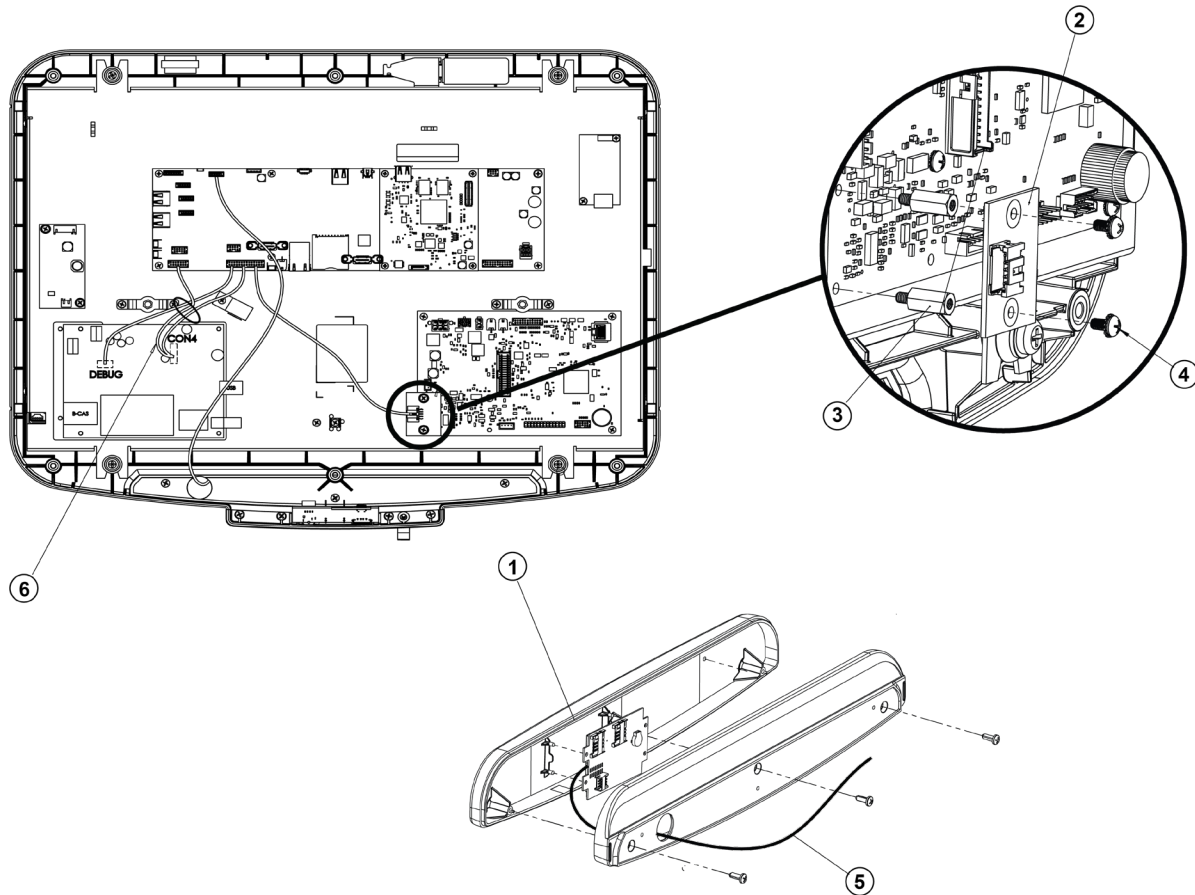
RFID Assembly Components - Discover SE3HD GYMKIT



Parts List

Item	Part No.		Alpha Code	Description
1	1008897-0001	SE3HD GymKit:	NAN, NPN, NDN, NIN, NXN, NSN, NPP	RFID HF AND LF GYMKIT MODULE
2	1005528-0011	SE3HD GymKit:	NAN, NPN, NDN, NIN, NXN, NSN, NPP	APPLE AUTHENTICATION
3	0017-00009-1357	SE3HD GymKit:	NAN, NPN, NDN, NIN, NXN, NSN, NPP	STANDOFF
4	0017-00101-1971	SE3HD GymKit:	NAN, NPN, NDN, NIN, NXN, NSN, NPP	SCREW: M3 X 6 PHILLIPS PAN HEAD
Cables - See Cables Section				
5	1009195-0001 (Item 31 Cables Section)	CABLE: RFID USB COMM		
6	1005893-0001 (Item 33 Cables Section)	CABLE: APPLE AUTHENTICATION		

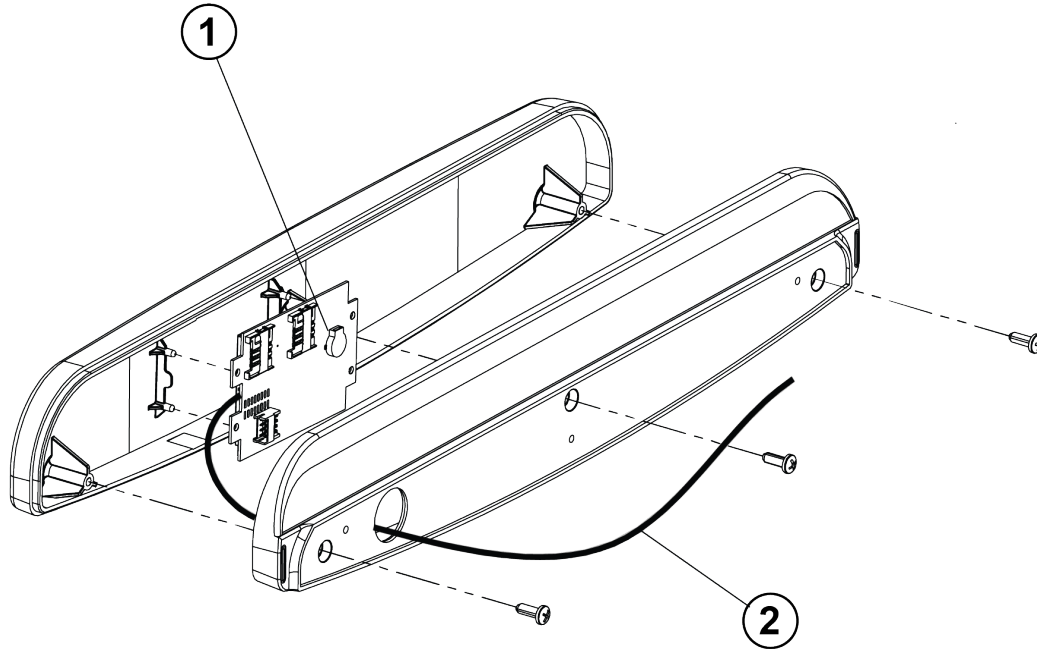
RFID Assembly Components - Discover SE3HD GYMKIT (DCI Tuner)



Parts List

Item	Part No.	Alpha Code	Description
1	1008897-0001	SE3HD GymKit: NAN, NPN, NDN, NIN, NXN, NSN, NPP	RFID HF AND LF GYMKIT MODULE
2	1005528-0011	SE3HD GymKit: NAN, NPN, NDN, NIN, NXN, NSN, NPP	APPLE AUTHENTICATION
3	0017-00009-1357	SE3HD GymKit: NAN, NPN, NDN, NIN, NXN, NSN, NPP	STANDOFF
4	0017-00101-1971	SE3HD GymKit: NAN, NPN, NDN, NIN, NXN, NSN, NPP	SCREW: M3 X 6 PHILLIPS PAN HEAD
Cables - See Cables Section			
5	1009195-0001 (Item 31 Cables Section)	CABLE: RFID USB COMM	
6	1009240-0001 (Item 34 Cables Section)	CABLE: DCI TUNER AUDIO/VIDEO/COMM W/APPLE AUTH. (GYMKIT VERSION)	

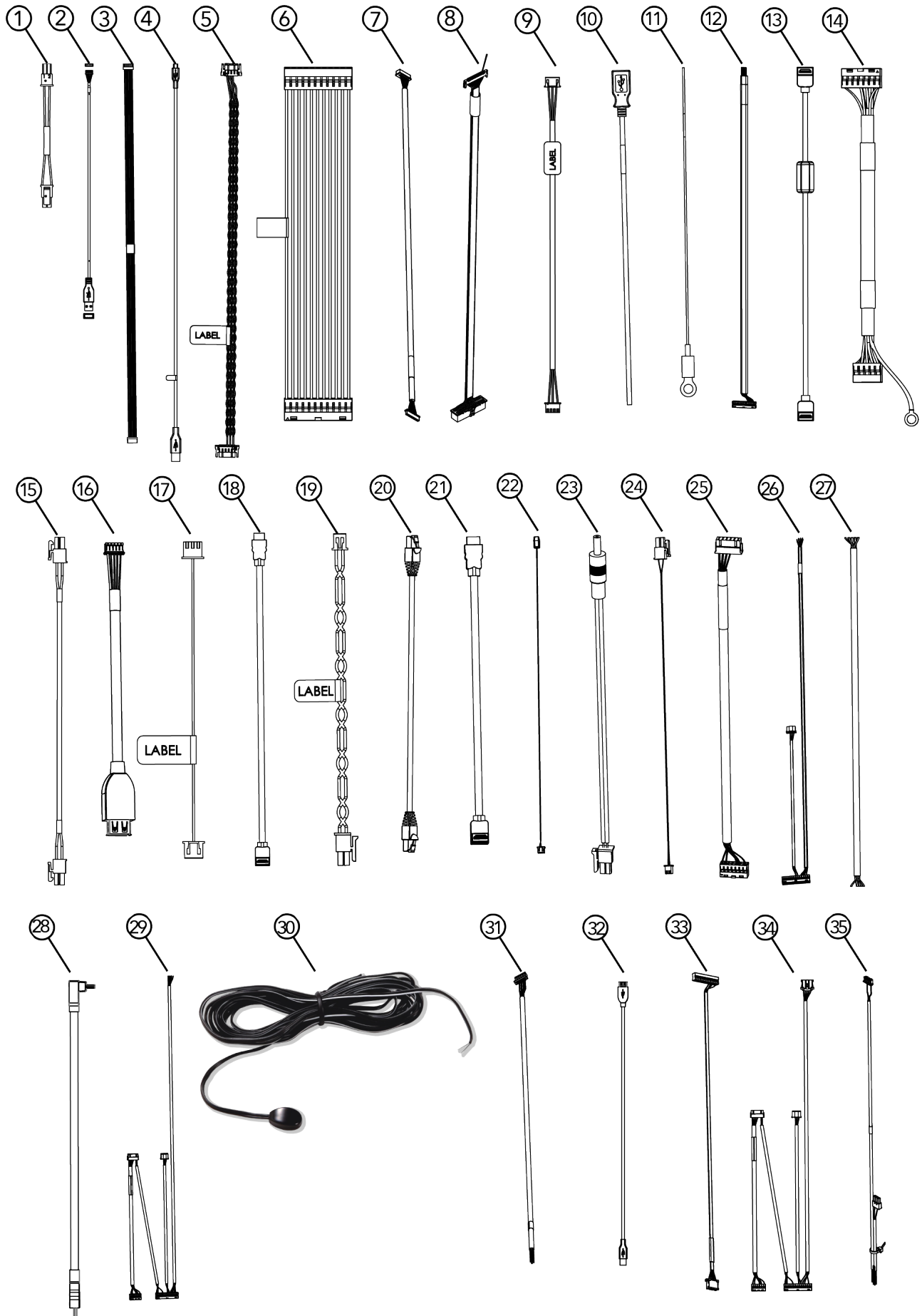
RFID Assembly Components - Discover SE3HD Non-GYMKIT & Discover ST



Parts List

Item	Part No.	Alpha Code		Description
1	1008897-0001	SE3HD:	HAN, HPN, HDN, HIN, HXN, HSN, HUN, HWN	RFID HF and LF GYMKIT Module
		ST:	JBN	
Cables - See Cables Section				
2	AK92-00063-0000 (Item 35 Cables Section)	CABLE: RFID UART COMM		

Cables



Cables (continued)

Parts List

Item	Part No.	Alpha Code		Description	Serial Number Range
1	AK92-00006-0000	SE3HD:	HAN, HPN, HDN, HIN, HXN, HSN, HUN, HWN	CABLE: CARRIER 24V TO MIB 24V	100001 - 399999
		SE3HD GymKit:	NAN, NPN, NDN, NIN, NXN, NSN, NPP		
		ST:	JBN, JPN, JEN, JIN, JYN, JSN, JUN, JWN, JPP		
2	AK92-00082-0000	SE3HD:	HAN, HPN, HDN, HIN, HXN, HSN, HUN, HWN	CABLE: TOUCH CONTROLLER CABLE (TO IMX6)	100001 - 399999
		SE3HD GymKit:	NAN, NPN, NDN, NIN, NXN, NSN, NPP		
		ST:	JBN, JPN, JEN, JIN, JYN, JSN, JUN, JWN, JPP		
3	AK92-00020-0000	SE3HD:	HAN, HPN, HDN, HIN, HXN, HSN, HUN, HWN	CABLE: CARRIER USB TO BLUETOOTH	100001 - 399999
		SE3HD GymKit:	NAN, NPN, NDN, NIN, NXN, NSN, NPP		
		ST:	JBN, JPN, JEN, JIN, JYN, JSN, JUN, JWN, JPP		
4	AK92-00072-0000	SE3HD:	HAN, HPN, HDN, HIN, HXN, HSN, HUN, HWN	CABLE: USB TYPE A TO MICRO B	100001 - 399999
		SE3HD GymKit:	NAN, NPN, NDN, NIN, NXN, NSN, NPP		
		ST:	JBN, JPN, JEN, JIN, JYN, JSN, JUN, JWN, JPP		
5	AK92-00015-0001	SE3HD:	HAN, HPN, HDN, HIN, HXN, HSN, HUN, HWN	CABLE: CARRIER HEADPHONE TO OPTION PANEL	100001 - 399999
		SE3HD GymKit:	NAN, NPN, NDN, NIN, NXN, NSN, NPP		
		ST:	JBN, JPN, JEN, JIN, JYN, JSN, JUN, JWN, JPP		
6	AK92-00027-0000	SE3HD:	HAN, HPN, HDN, HIN, HXN, HSN, HUN, HWN	CABLE: CARRIER TO MIB	100001 - 399999
		SE3HD GymKit:	NAN, NPN, NDN, NIN, NXN, NSN, NPP		
		ST:	JBN, JPN, JEN, JIN, JYN, JSN, JUN, JWN, JPP		
7	1004949-0001	SE3HD:	HAN, HPN, HDN, HIN, HXN, HSN, HUN, HWN	CABLE: CARRIER BACKLIGHT TO LCD BACKLIGHT	100001 - 399999
		SE3HD GymKit:	NAN, NPN, NDN, NIN, NXN, NSN, NPP		
		ST:	JBN, JPN, JEN, JIN, JYN, JSN, JUN, JWN, JPP		
8	1006307-0001	SE3HD:	HAN, HPN, HDN, HIN, HXN, HSN, HUN, HWN	CABLE: COM DUAL LVDS TO LCD DUAL LVDS NON-TREAD	100001 - 399999
		SE3HD GymKit:	NAN, NPN, NDN, NIN, NXN, NSN, NPP		
		ST:	JBN, JPN, JEN, JIN, JYN, JSN, JUN, JWN, JPP		
9	AK92-00019-0000	SE3HD:	HAN, HPN, HDN, HIN, HXN, HSN, HUN, HWN	CABLE: MIB TO POLAR	100001 - 399999
		SE3HD GymKit:	NAN, NPN, NDN, NIN, NXN, NSN, NPP		
		ST:	JBN, JPN, JEN, JIN, JYN, JSN, JUN, JWN, JPP		
10	1003263-0002	SE3HD:	HAN, HPN, HDN, HIN, HXN, HSN, HUN, HWN	CABLE: USB TYPE A (M) TO TYPE A (F)	100001 - 399999
		SE3HD GymKit:	NAN, NPN, NDN, NIN, NXN, NSN, NPP		
		ST:	JBN, JPN, JEN, JIN, JYN, JSN, JUN, JWN, JPP		
11	AK65-00103-0000	SE3HD:	HAN, HPN, HDN, HIN, HXN, HSN, HUN, HWN	CABLE: GROUND ESD	100001 - 399999
		SE3HD GymKit:	NAN, NPN, NDN, NIN, NXN, NSN, NPP		
		ST:	JBN, JPN, JEN, JIN, JYN, JSN, JUN, JWN, JPP		
12	1005490-0001	SE3HD:	HAN, HPN, HDN, HIN, HXN, HSN, HUN, HWN	CABLE: ACTIVE NFC	100001 - 399999
		SE3HD GymKit:	NAN, NPN, NDN, NIN, NXN, NSN, NPP		
		ST:	JBN, JPN, JEN, JIN, JYN, JSN, JUN, JWN, JPP		
13	1008046-0001	SE3HD:	HAN, HDN	CABLE: SWIFT TUNER HDMI WITH MOLDED FERRITE	100001 - 399999
		SE3HD GymKit:	NAN, NDN		
		ST:	JBN, JEN		
14	AK92-00264-0000	SE3HD:	HAN, HDN	CABLE: SWIFT I2C AND AUDIO	100001 - 399999
		SE3HD GymKit:	NAN, NDN		
		ST:	JBN, JEN		
15	AK92-00265-0001	SE3HD:	HAN, HDN	CABLE: SWIFT TUNER 12V DC POWER CABLE	100001 - 399999
		SE3HD GymKit:	NAN, NDN		
		ST:	JBN, JEN		
16	AK92-00022-0000	SE3HD:	HUN, HWN	CABLE: CARRIER USB TO WIFI ADAPTER	100001 - 399999
		ST:	JUN, JWN		
17	AK92-00009-0000	SE3HD:	HIN	CABLE: MIB IR TO HDMI EXT. RCVR IR	100001 - 399999
		SE3HD GymKit:	NIN		
		ST:	JIN		

Cables (continued)

Parts List

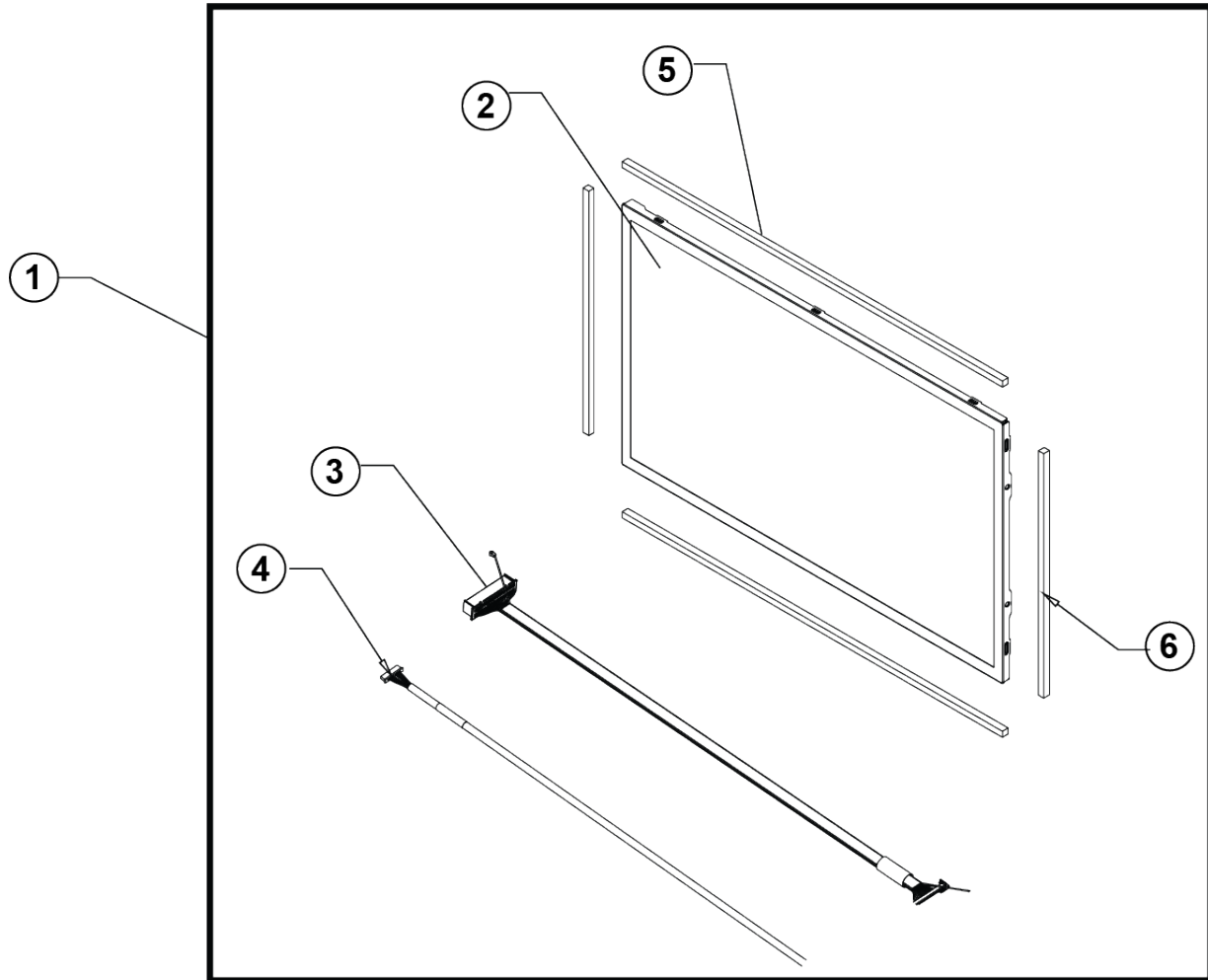
Item	Part No.	Alpha Code		Description	Serial Number Range
18	AK92-00014-0000	SE3HD:	HIN	CABLE: HDMI EXT. RCVR BD TO CARRIER BD	100001 - 399999
		SE3HD GymKit:	NIN		
		ST:	JIN		
19	AK92-00018-0000	SE3HD:	HIN	CABLE: 5V CARRIER TO HDMI EXT. RCVR BD	100001 - 399999
		SE3HD GymKit:	NIN		
		ST:	JIN		
20	AK70-00092-0003	SE3HD:	HIN	CABLE: CAT5E HDMI EXT. RCVR TO CARRIER	100001 - 399999
		SE3HD GymKit:	NIN		
		ST:	JIN		
21	AK92-00268-0000	SE3HD:	HPN	CABLE: HDMI PI STB TO CARRIER BD	100001 - 399999
		SE3HD GymKit:	NPN		
		ST:	JPN		
22	AK92-00269-0000	SE3HD:	HPN	CABLE: MIB IR TO PI STB IR	100001 - 399999
		SE3HD GymKit:	NPN		
		ST:	JPN		
23	AK92-00270-0000	SE3HD:	HPN	CABLE: 5V POWER PI STB	100001 - 399999
		SE3HD GymKit:	NPN		
		ST:	JPN		
24	1004460-0001	SE3HD:	HSN	CABLE: 12V POWER DCI TUNER	100001 - 399999
		SE3HD GymKit:	NSN, NPP		
		ST:	JSN, JPP		
25	1006104-0001	SE3HD:	HSN	CABLE: DCI TUNER AUDIO/VIDEO	100001 - 399999
		ST:	JSN		
26	1006103-0001	SE3HD:	HSN	CABLE: ACTIVE NFC DCI TUNER COMM	100001 - 399999
		ST:	JSN		
27	1010371-0001	SE3HD GymKit:	NPP	CABLE: PROIDIOM TUNER I2C AND AUDIO	100001 - 399999
		ST:	JPP		
28	1011047-0001	SE3HD GymKit:	NPP	CABLE: PROIDIOM TUNER HDMI	100001 - 399999
		ST:	JPP		
29	1009236-0001	SE3HD GymKit:	NSN	CABLE: ACTIVE NFC DCI TUNER AUDIO/VIDEO/COMM	100001 - 399999
30	1003446-0001	SE3HD:	HIN	IR EMITTER CABLE, SPARE FOR STB-SYNC TX KIT	100001 - 399999
		SE3HD GymKit:	NIN		
		ST:	JIN		
31	1009195-0001	SE3HD:	HAN, HPN, HDN, HIN, HXN, HSN, HUN, HWN	CABLE: RFID USB COMM	100001 - 399999
		SE3HD GymKit:	NAN, NPN, NDN, NIN, NXN, NSN, NPP		
		ST:	JBN, JPN, JEN, JIN, JYN, JSN, JUN, JWN, JPP		
32	AK92-00073-0000	SE3HD:	HAN, HPN, HDN, HIN, HXN, HSN, HUN, HWN	CABLE: USB TYPE A (M) TO TYPE A (F); 19.7", 28 AWG, BLACK	100001 - 399999
		SE3HD GymKit:	NAN, NPN, NDN, NIN, NXN, NSN, NPP		
		ST:	JBN, JPN, JEN, JIN, JYN, JSN, JUN, JWN, JPP		
33	1005893-0001	SE3HD GymKit:	NAN, NPN, NDN, NIN, NXN, NSN, NPP	CABLE: APPLE AUTHENTICATION	100001 - 399999
34	1009240-0001	SE3HD GymKit:	NSN	CABLE: DCI TUNER AUDIO/VIDEO/COMM W/APPLE AUTH. (GYMKIT VERSION)	100001 - 399999
35	AK92-00063-0000	SE3HD:	HAN, HPN, HDN, HIN, HXN, HSN, HUN, HWN	CABLE: RFID UART COMM	100001 - 399999
		ST:	JBN, JPN, JEN, JIN, JYN, JSN, JUN, JWN, JPP		

Kit Assemblies

Parts List

STB SYNC TRANSMITTER			
Part No.	Alpha Code		Description
IPTV-TXKIT-02	SE3HD:	HIN	ASSY, TX-HDMI AND ETHERNET TO CAT6 W/ ENCLOSURE
	SE3HD GymKit:	NIN	
	ST:	JIN	

Kit Assemblies: 15.6" LCD/Touchpanel Kit



Parts List

Item	Part No.	Description	Alpha Code	Serial Number Range
1	1021628-0001	15.6" LCD/ TOUCH PANEL KIT		100001 - 399999
2	1019649-0001	LCD/TOUCH PANEL ASSEMBLY: 15.6" NONTREAD	SE3HD: HAN,HDN, HIN, HPN, HSN,HUN, HWN, HXN	100001 - 399999
3	1006307-0001	COM DUAL LVDS TO LCD DUAL, NOTREAD CABLE ASSEMBLY	SEHD GymKit: NAN, NDN, NIN, NPN, NPP, NSN, NXN	100001 - 399999
4	1004949-0001	LCD BACKLIGHT TO CARRIER BACKLIGHT CABLE ASSEMBLY	ST 16": JBN, JEN, JIN, JPN, JPP, JSN, JUN, JWN, JYN	100001 - 399999
5	1002936-0004	15.6" LCD, HORIZONTAL GASKET		100001 - 399999
6	1002936-0003	15.6" LCD, VERTICAL GASKET		100001 - 399999
	1020919-0001	30mm, 15mm. THK 0.1mm EMI TAPE (not shown)		100001 - 399999

NOTE:

The Kit (Item #1 includes all parts listed in the table) and individual parts are orderable.