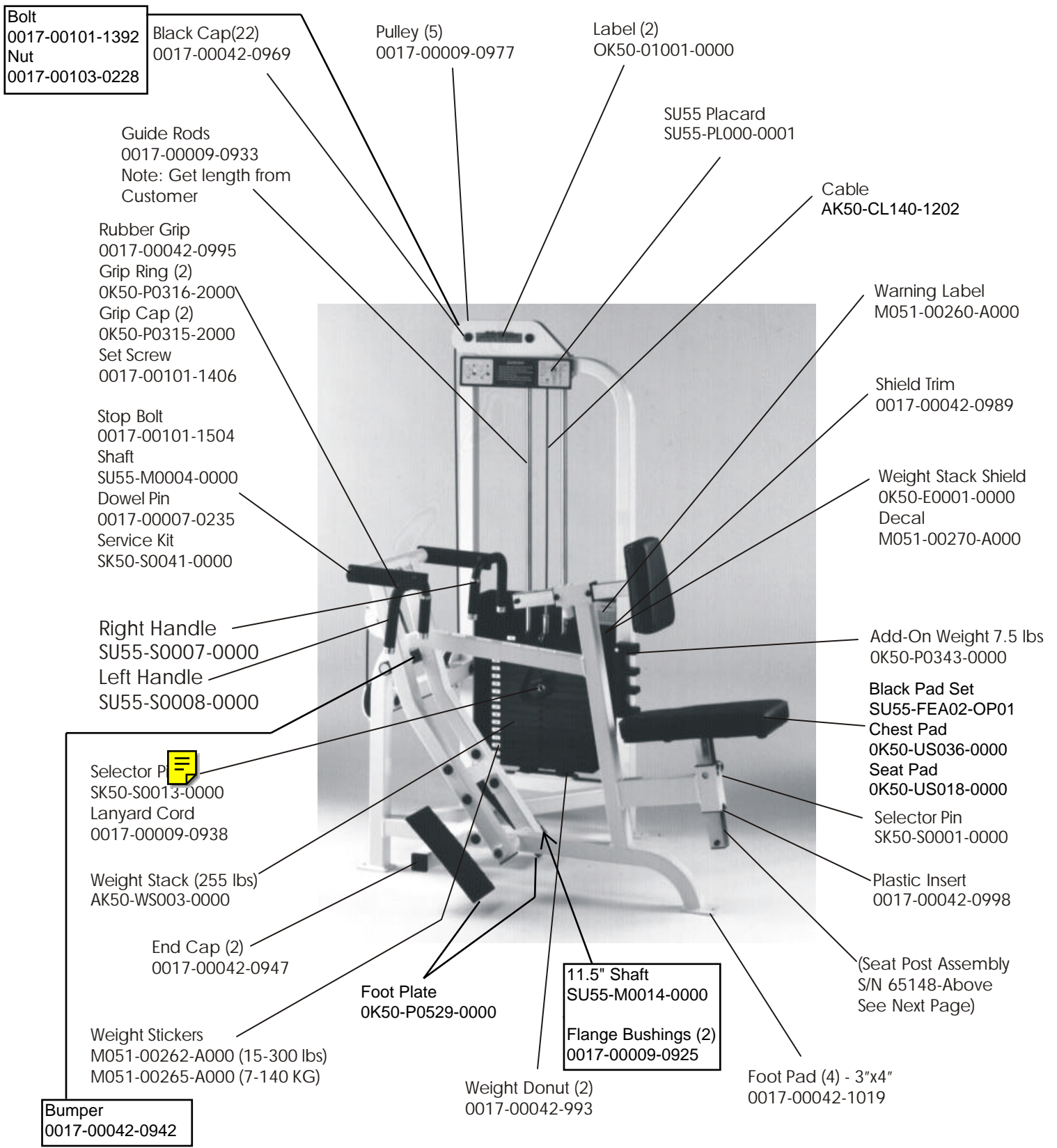


# SELECTORIZED STRENGTH TRAINING EQUIPMENT

## SU55 Seated Row



**Bolt**  
0017-00101-1392  
**Nut**  
0017-00103-0228

Black Cap(22)  
0017-00042-0969

Pulley (5)  
0017-00009-0977

Label (2)  
OK50-01001-0000

Guide Rods  
0017-00009-0933  
Note: Get length from  
Customer

SU55 Placard  
SU55-PL000-0001

Cable  
AK50-CL140-1202

Rubber Grip  
0017-00042-0995  
Grip Ring (2)  
OK50-P0316-2000  
Grip Cap (2)  
OK50-P0315-2000  
Set Screw  
0017-00101-1406

Warning Label  
M051-00260-A000

Stop Bolt  
0017-00101-1504  
Shaft  
SU55-M0004-0000  
Dowel Pin  
0017-00007-0235  
Service Kit  
SK50-S0041-0000

Shield Trim  
0017-00042-0989

Weight Stack Shield  
OK50-E0001-0000  
Decal  
M051-00270-A000

Right Handle  
SU55-S0007-0000  
Left Handle  
SU55-S0008-0000

Add-On Weight 7.5 lbs  
OK50-P0343-0000

Black Pad Set  
SU55-FEA02-OP01  
Chest Pad  
OK50-US036-0000  
Seat Pad  
OK50-US018-0000

Selector Pin  
SK50-S0013-0000  
Lanyard Cord  
0017-00009-0938

Selector Pin  
SK50-S0001-0000

Weight Stack (255 lbs)  
AK50-WS003-0000

Plastic Insert  
0017-00042-0998

End Cap (2)  
0017-00042-0947

(Seat Post Assembly  
S/N 65148-Above  
See Next Page)

Foot Plate  
OK50-P0529-0000

11.5" Shaft  
SU55-M0014-0000  
Flange Bushings (2)  
0017-00009-0925

Weight Stickers  
M051-00262-A000 (15-300 lbs)  
M051-00265-A000 (7-140 KG)

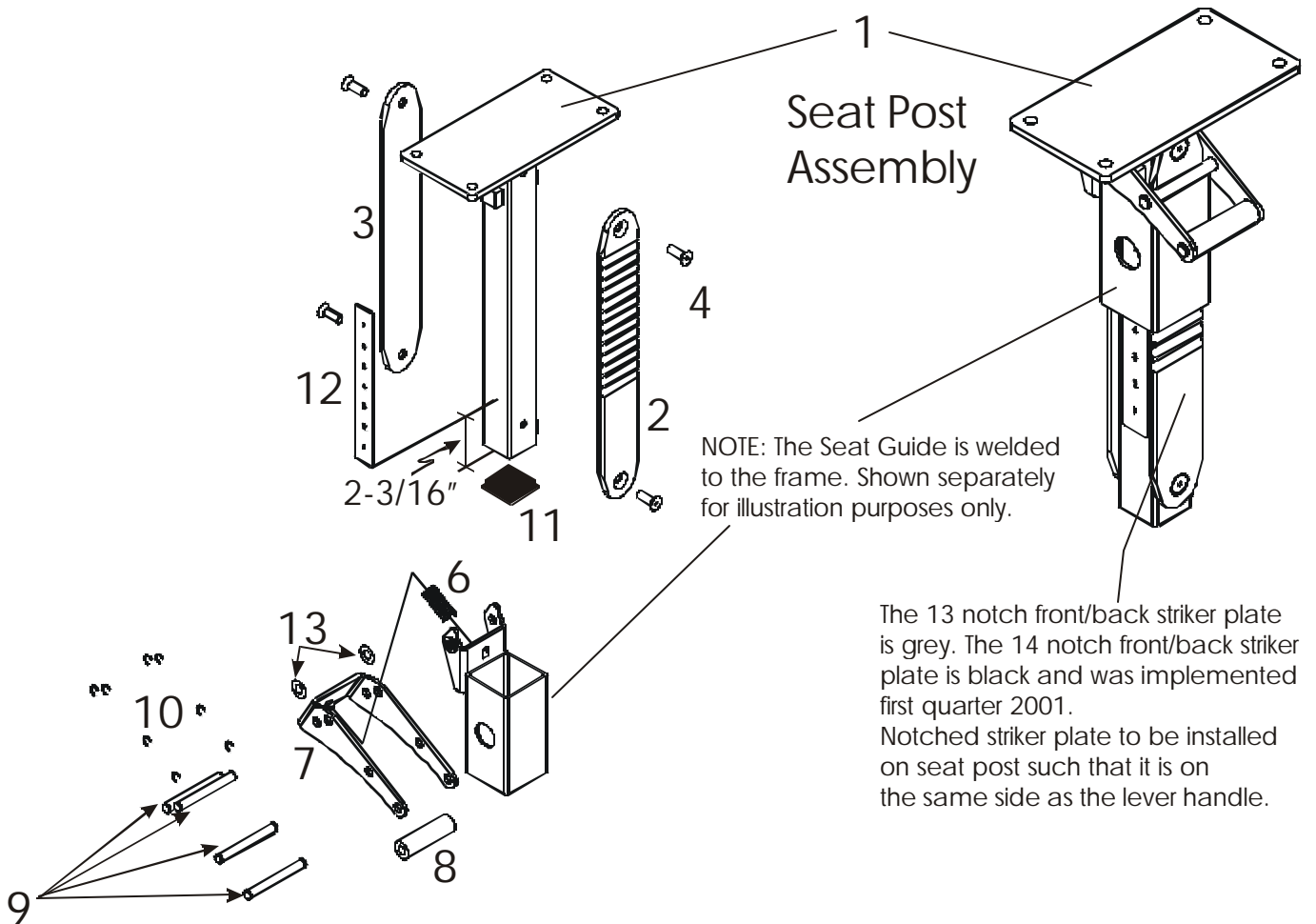
Weight Donut (2)  
0017-00042-993

Foot Pad (4) - 3"x4"  
0017-00042-1019

**Bumper**  
0017-00042-0942

# SELECTORIZED STRENGTH TRAINING EQUIPMENT

## SU55 Seat Post Assembly - S/N 65148-Above



### BILL OF MATERIALS

Item No.	Qty.	Part Number	Description
1	1	AK50-S0028-0000	Seat post assembly
2	1	OK50-P0547-0000	Front striker plate (14 notch)
3	1	OK50-P0548-0000	Back striker plate
4	4	0017-00101-1655	5/16" x 24 flat bolt
6	1	0017-00009-1079	Spring
7	1	OK50-P0550-0000	Lever release
8	1	0017-00042-1089	Rubber grip
9	4	OK50-P0551-0000	Grooved pin
10	8	0017-00100-0190	Retaining clips
11	1	0017-00042-0944	1-1/2" x 1-1/2" End cap
12	1	M051-00363-A000	Number strip
13	2	0017-00104-0373	Nylon washer