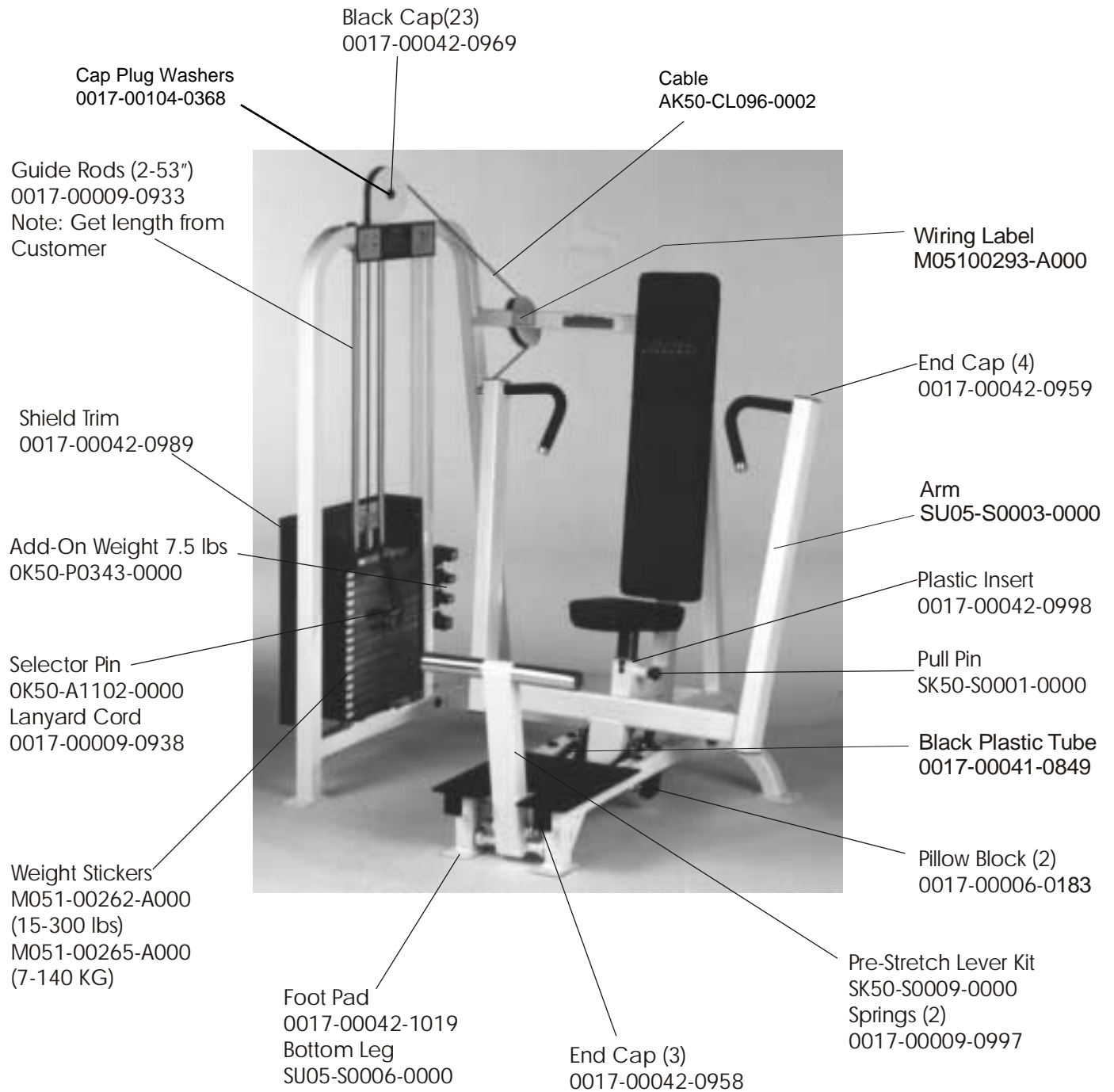


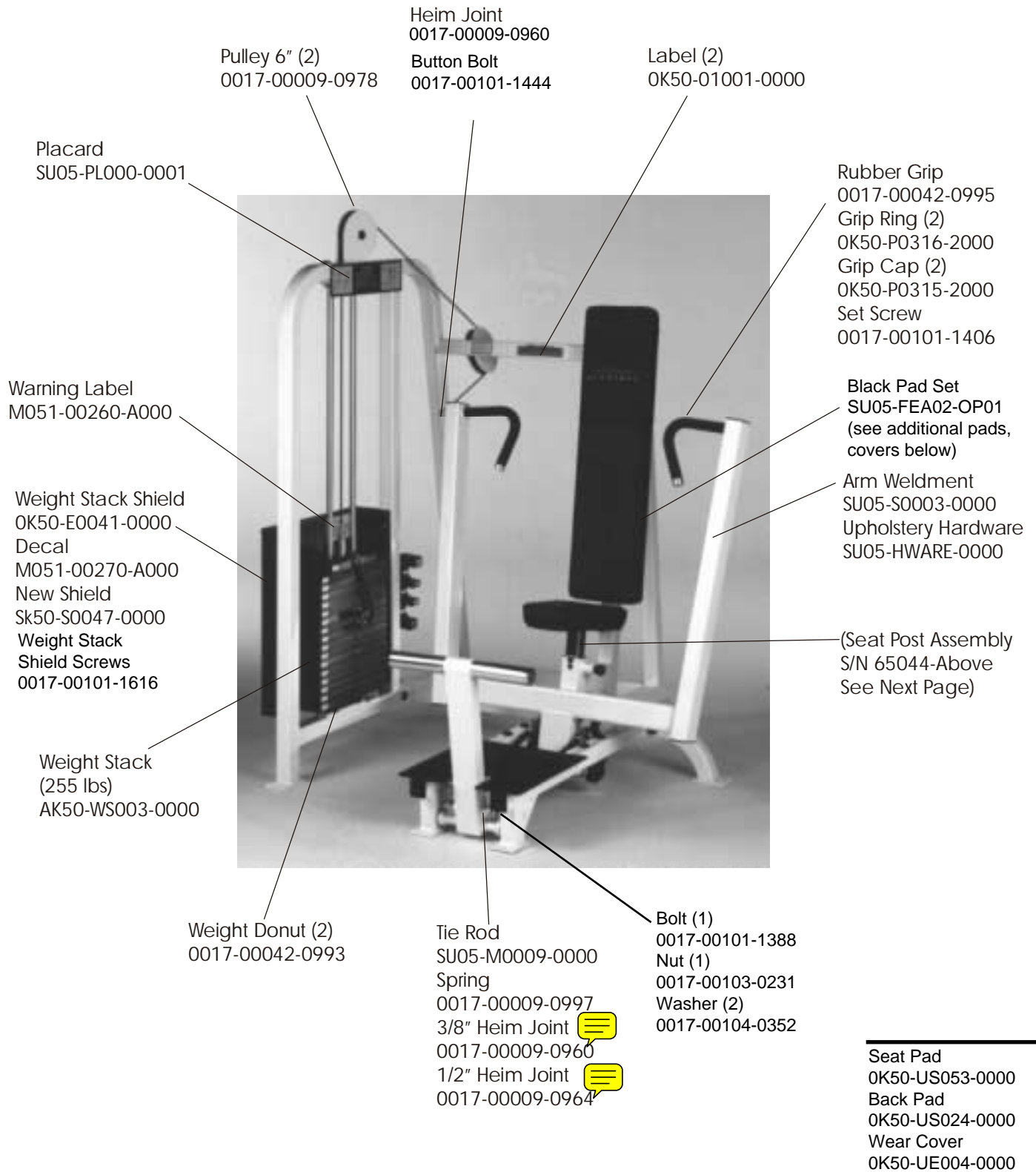
# STRENGTH 9000 SERIES TRAINING EQUIPMENT

## SU05 Chest Press



# STRENGTH 9000 SERIES TRAINING EQUIPMENT

## SU05 Chest Press



Pulley 6" (2)  
0017-00009-0978

Heim Joint  
0017-00009-0960

Button Bolt  
0017-00101-1444

Label (2)  
OK50-01001-0000

Placard  
SU05-PL000-0001

Rubber Grip  
0017-00042-0995  
Grip Ring (2)  
OK50-P0316-2000  
Grip Cap (2)  
OK50-P0315-2000  
Set Screw  
0017-00101-1406

Warning Label  
M051-00260-A000

Black Pad Set  
SU05-FEA02-OP01  
(see additional pads,  
covers below)

Weight Stack Shield  
OK50-E0041-0000  
Decal  
M051-00270-A000  
New Shield  
Sk50-S0047-0000  
Weight Stack  
Shield Screws  
0017-00101-1616

Arm Weldment  
SU05-S0003-0000  
Upholstery Hardware  
SU05-HWARE-0000

(Seat Post Assembly  
S/N 65044-Above  
See Next Page)

Weight Stack  
(255 lbs)  
AK50-WS003-0000

Weight Donut (2)  
0017-00042-0993

Tie Rod  
SU05-M0009-0000  
Spring  
0017-00009-0997  
3/8" Heim Joint  
0017-00009-0960  
1/2" Heim Joint  
0017-00009-0964

Bolt (1)  
0017-00101-1388  
Nut (1)  
0017-00103-0231  
Washer (2)  
0017-00104-0352

Seat Pad  
OK50-US053-0000  
Back Pad  
OK50-US024-0000  
Wear Cover  
OK50-UE004-0000

# STRENGTH 9000 SERIES TRAINING EQUIPMENT

## SU05 Chest Press

---

Foot Plate  
OK50-P0422-1000

Foot Pedal Stops  
SU05-S0005-0000

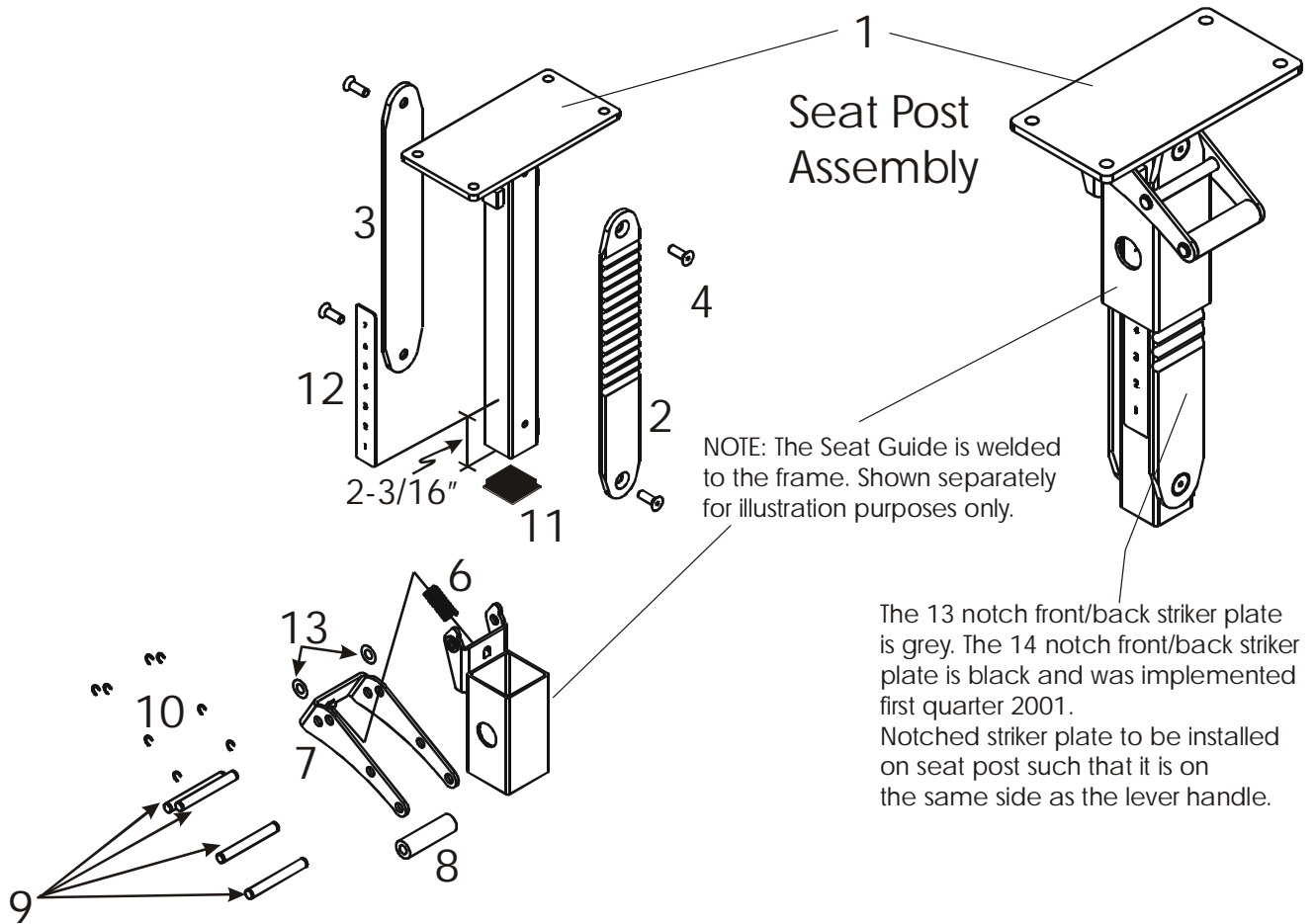
Single Leg  
Sub-Assembly  
SU05-S0006-0000



Leg Sub-Assembly  
SU05-S0007-0000

# STRENGTH 9000 SERIES TRAINING EQUIPMENT

## SU05 Seat Post Assembly - S/N 65044-Above



BILL OF MATERIALS			
Item No.	Qty.	Part Number	Description
1	1	AK50-S0028-0000	Seat post assembly
2	1	0K50-P0547-0000	Front striker plate (14 notch)
3	1	0K50-P0548-0000	Back striker plate
4	4	0017-00101-1655	5/16" x 24 flat bolt
6	1	0017-00009-1079	Spring
7	1	0K50-P0550-0000	Lever release
8	1	0017-00042-1089	Rubber grip
9	4	0K50-P0551-0000	Grooved pin
10	8	0017-00100-0190	Retaining clips
11	1	0017-00042-0944	1-1/2" x 1-1/2" End cap
12	1	M051-00363-A000	Number strip
13	2	0017-00104-0373	Nylon washer