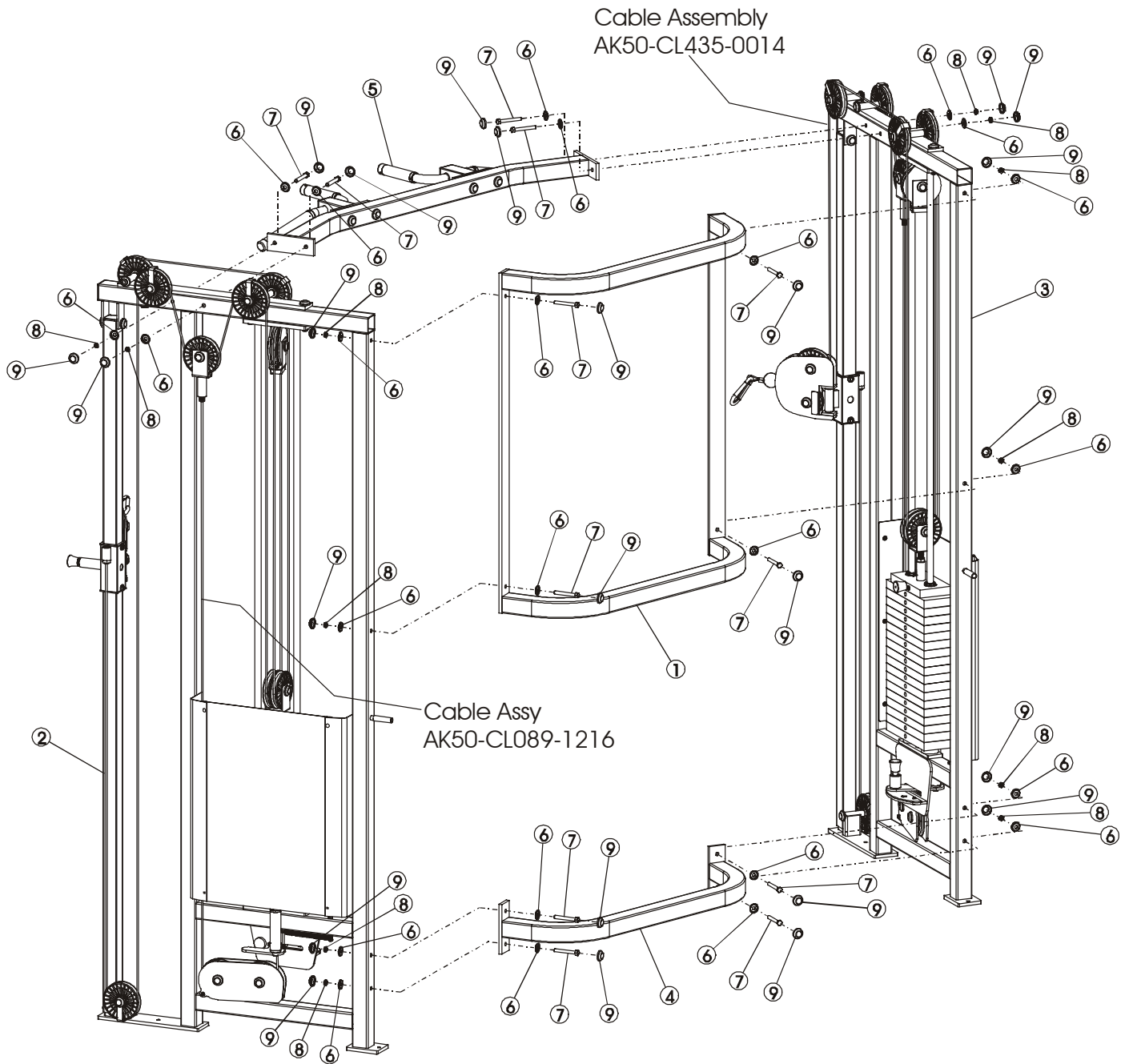


STRENGTH 9000 SERIES TRAINING EQUIPMENT

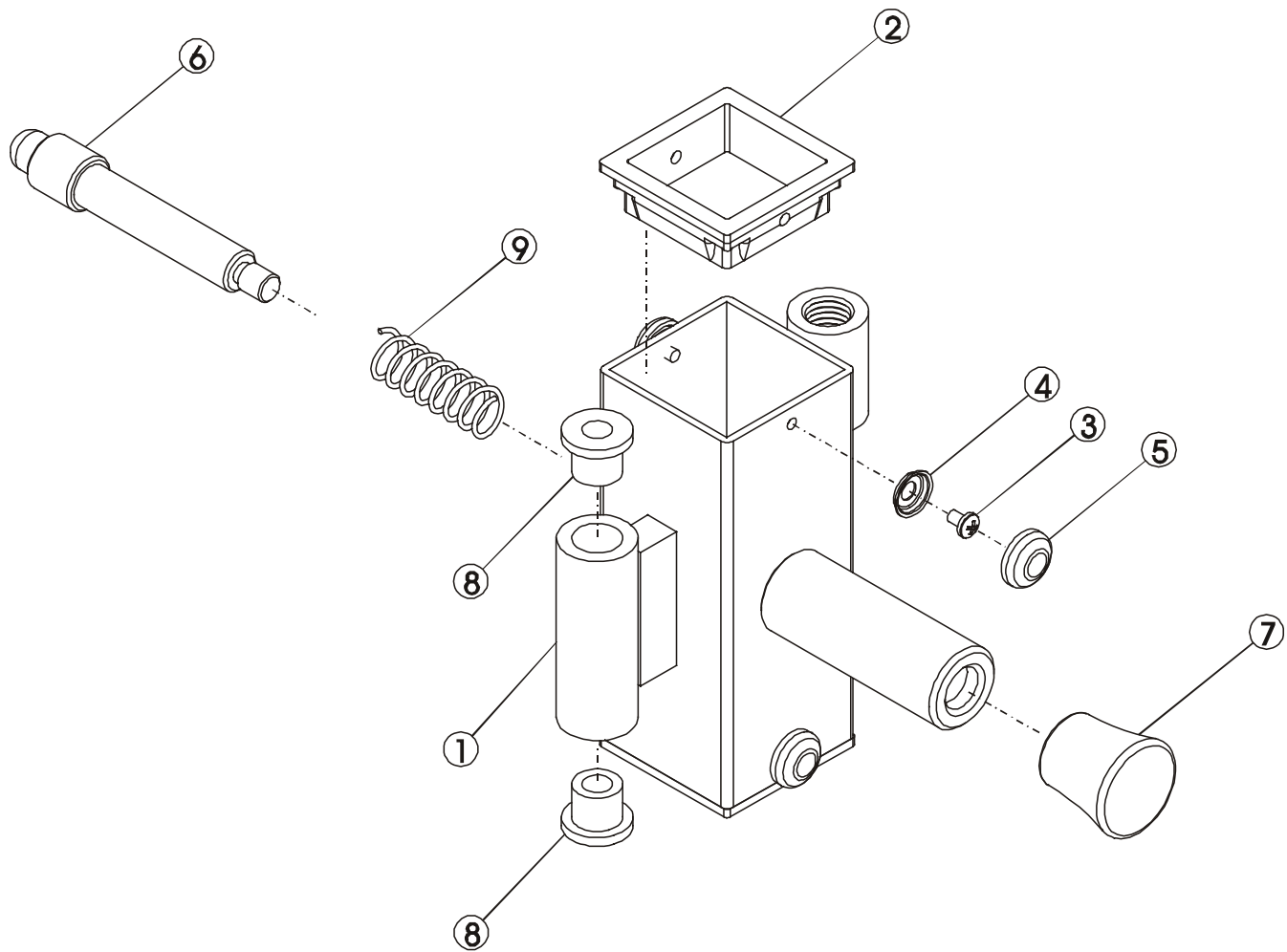
SM22 Dual Adjustable Pulley



| ITEM NO. | QTY. | PART NO. | DESCRIPTION |
|----------|------|-----------------|---------------------------------|
| 1 | 1 | SM22-S0003-0000 | REAR FRAME - WELDED ASSY |
| 2 | 1 | SM22-A0002-0000 | FRAME ASSY - RT |
| 3 | 1 | SM22-A0003-0000 | FRAME ASSY - LT |
| 4 | 1 | SM22-S0006-0000 | REAR FRAME, LOWER - |
| 5 | 1 | SM22-A0006-0000 | PULL UP BAR ASSY |
| 6 | 24 | 0017-00104-0368 | CAPLUG WASHER; RHW 205 |
| 7 | 12 | 0017-00101-1408 | 3/8 - 16 X 44 UNS HEX BLT G5 ZN |
| 8 | 12 | 0017-00103-0217 | NUT 3/8 - NYLOC; THIN NY NO |
| 9 | 24 | 0017-00042-0969 | CAPLUG CAP; RH-20 |
| | 1 | M051-00623-A000 | Poster |

STRENGTH 9000 SERIES TRAINING EQUIPMENT

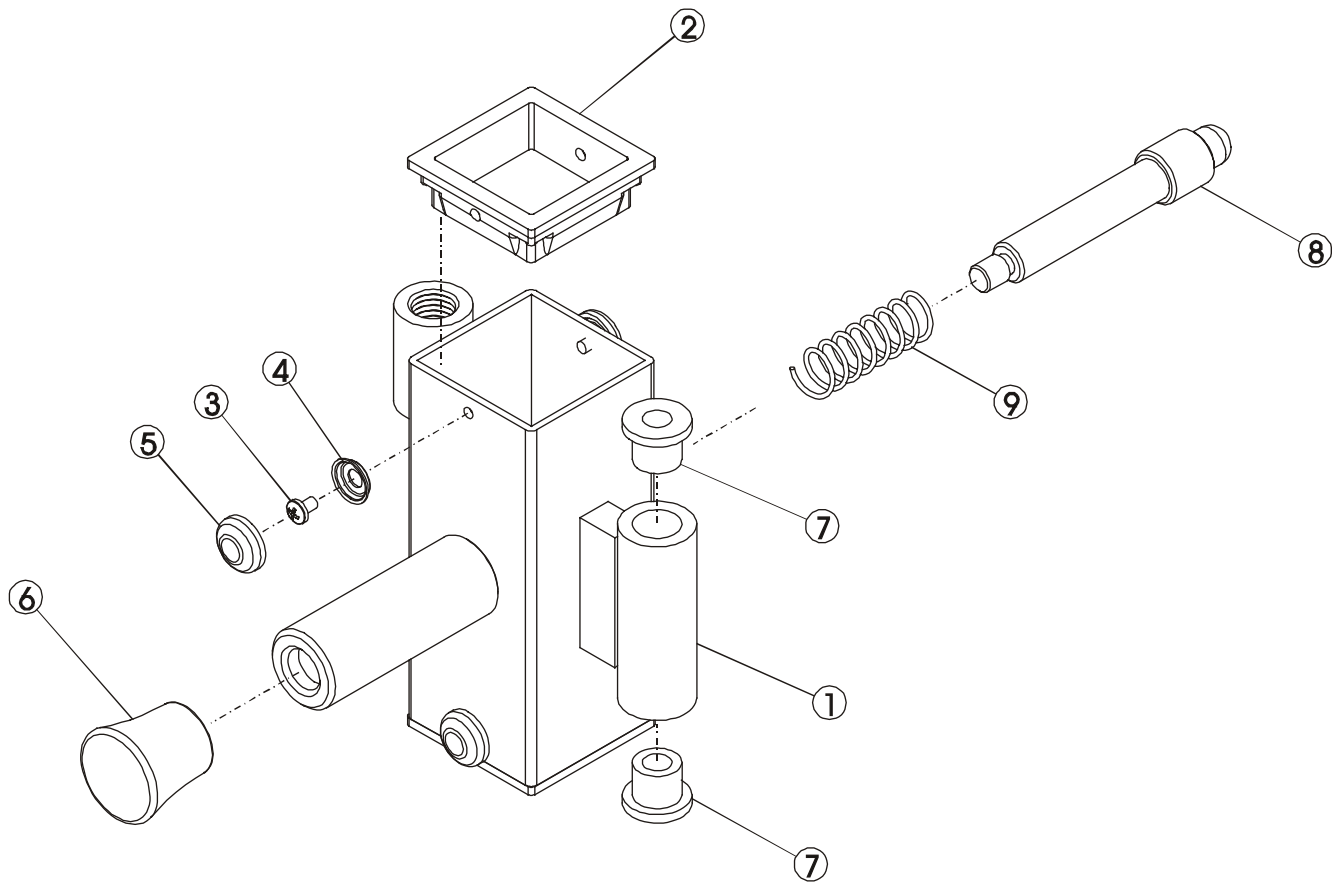
SM22 - Right Selector Assembly



| ITEM NO. | QTY. | PART NO. | DESCRIPTION |
|----------|------|-----------------|-----------------------------|
| 1 | 1 | SM22-S0009-0000 | SELECTOR, RT - WELDED ASSY |
| 2 | 2 | 0017-00042-0998 | INSERT: PLASTIC; SEAT 2 X 2 |
| 3 | 4 | 0017-00101-1524 | #8 X 1/4" PAN HEAD PLASTITE |
| 4 | 4 | 0017-00104-0365 | CAPLUG WASHER; RHW 105 |
| 5 | 4 | 0017-00042-0968 | CAPLUG CAP; RH-10 |
| 6 | 1 | OK50-PO121-0000 | PULL PIN |
| 7 | 1 | 0017-00009-1077 | KNOB, BLACK TULIP STYLE |
| 8 | 2 | 0017-00009-0931 | 7/16 I.D. BRASS BUSHING |
| 9 | 1 | 0017-00009-0994 | SPRING; PULL PIN LARGE |

STRENGTH 9000 SERIES TRAINING EQUIPMENT

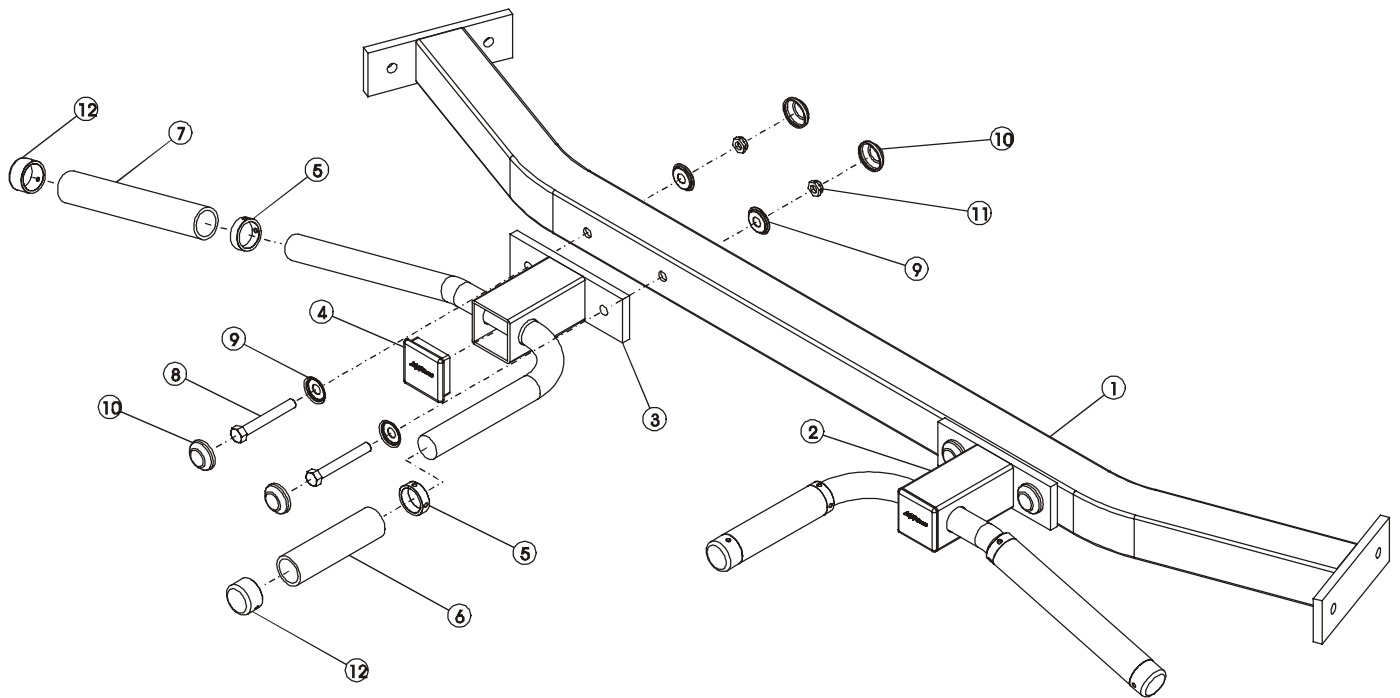
SM22 - Left Selector Assembly



| ITEM NO. | QTY. | PART NO. | DESCRIPTION |
|----------|------|-----------------|-----------------------------|
| 1 | 1 | SM22-S0010-0000 | SELECTOR, LT - WELDED ASSY |
| 2 | 2 | 0017-00042-0998 | INSERT: PLASTIC; SEAT 2 X 2 |
| 3 | 4 | 0017-00101-1524 | #8 X 1/4" PAN HEAD PLASTITE |
| 4 | 4 | 0017-00104-0365 | CAPLUG WASHER; RHW 105 |
| 5 | 4 | 0017-00042-0968 | CAPLUG CAP; RH-10 |
| 6 | 1 | 0017-00009-1077 | KNOB, BLACK TULIP STYLE |
| 7 | 2 | 0017-00009-0931 | 7/16 I.D. BRASS BUSHING |
| 8 | 1 | OK50-PO121-0000 | PULL PIN |
| 9 | 1 | 0017-00009-0994 | SPRING; PULL PIN LARGE |

STRENGTH 9000 SERIES TRAINING EQUIPMENT

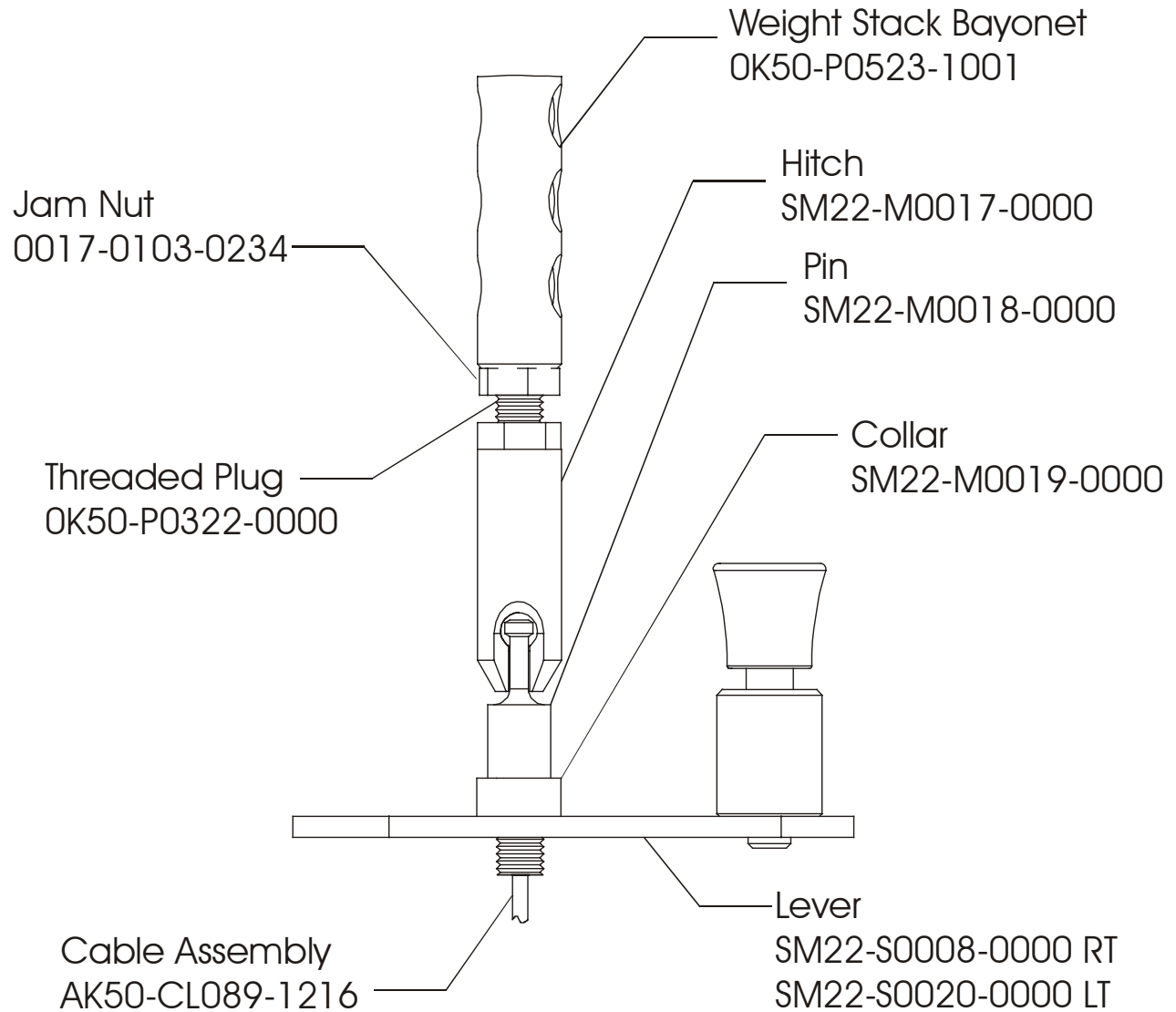
SM22 - Pull-Up Bar Assembly



| ITEM NO. | QTY. | PART NO. | DESCRIPTION |
|----------|------|-----------------|---------------------------------|
| 1 | 1 | SM22-S0007-0000 | PULL UP BAR - WELDED ASSY |
| 2 | 1 | SM22-S0014-0000 | PULL UP HANDLE, RT - |
| 3 | 1 | SM22-S0015-0000 | PULL UP HANDLE, LT - |
| 4 | 2 | 0017-00042-0958 | 2X2 BLACK PLASTIC CAP |
| 5 | 4 | OK50-P0315-1000 | ALUMINUM END CAP |
| 6 | 2 | 0017-00042-0995 | RUBBER GRIP 1" DIA, 4.50" LG |
| 7 | 2 | 0017-00042-0995 | RUBBER GRIP 1" DIA, 7.50" LG |
| 8 | 4 | 0017-00101-1408 | 3/8 - 16 X 44 UNS HEX BLT G5 ZN |
| 9 | 8 | 0017-00104-0368 | CAPLUG WASHER; RHW 205 |
| 10 | 8 | 0017-00042-0969 | CAPLUG CAP; RH-20 |
| 11 | 4 | 0017-00103-0217 | NUT 3/8 - NYLOC; THIN NY NO |
| 12 | 4 | OK50-P0315-2000 | ALUMINUM END CAP |

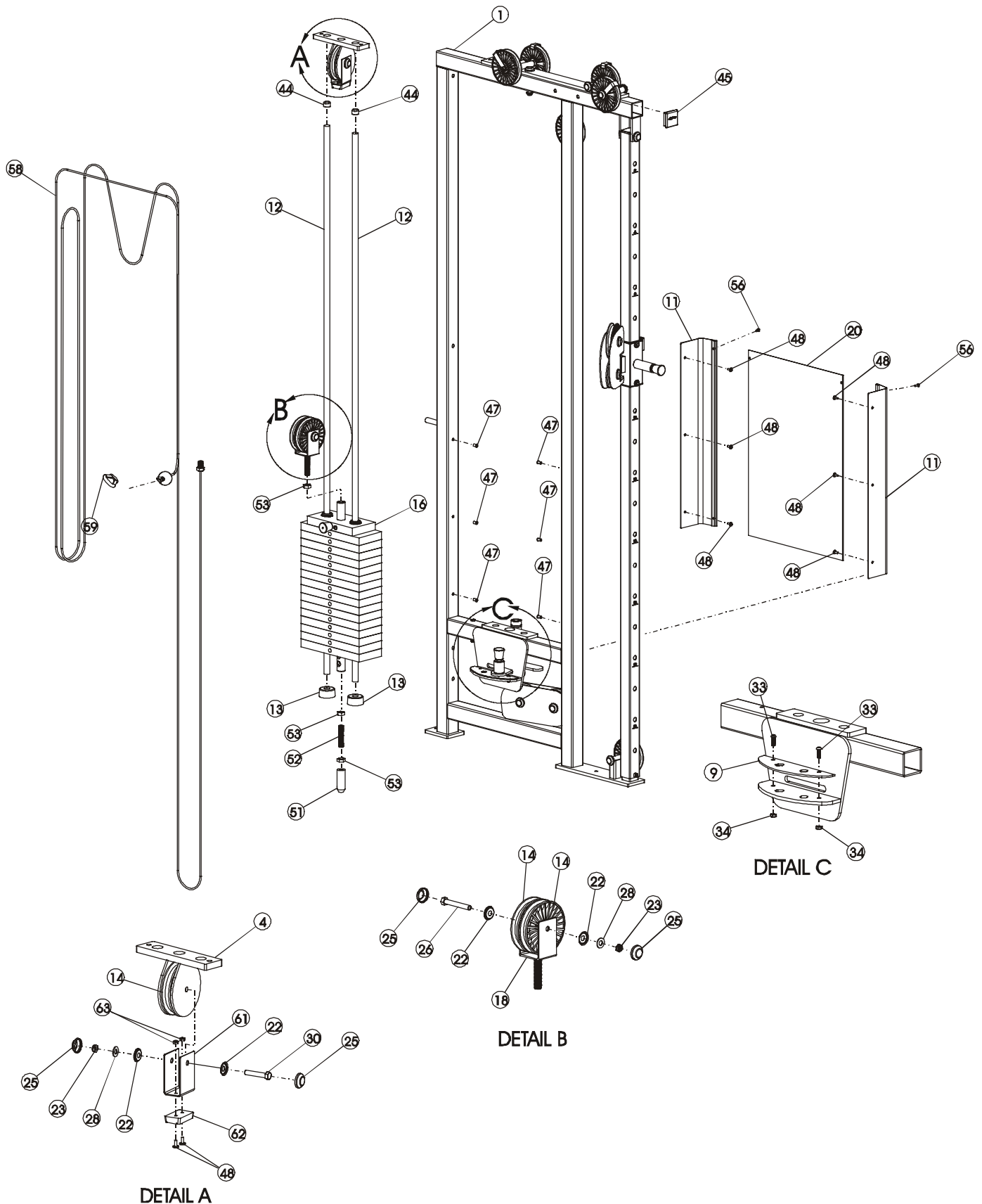
STRENGTH 9000 SERIES TRAINING EQUIPMENT

SM22 - Cable Attachment Components



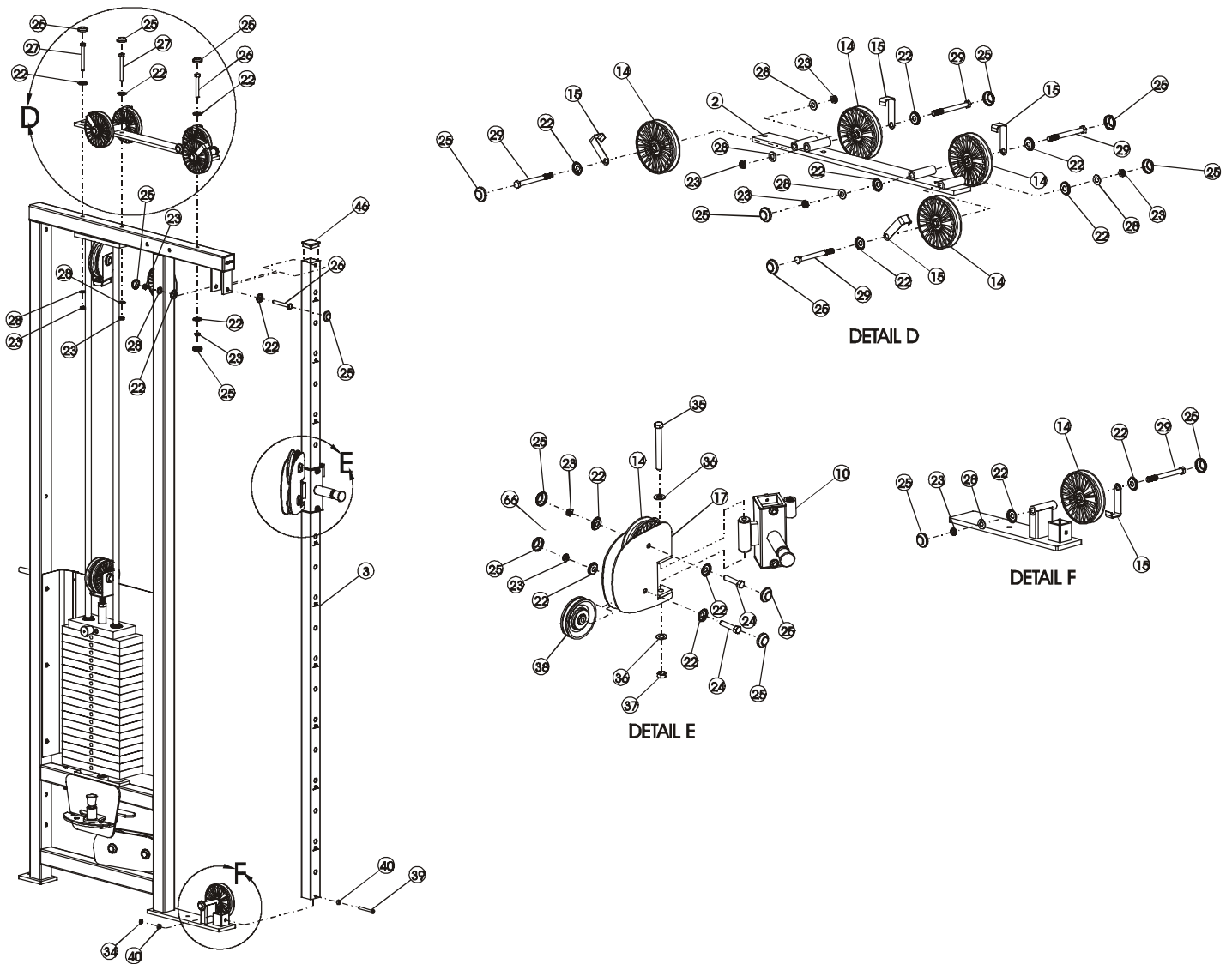
STRENGTH 9000 SERIES TRAINING EQUIPMENT

SM22 - Frame Assembly - Index on Last Page



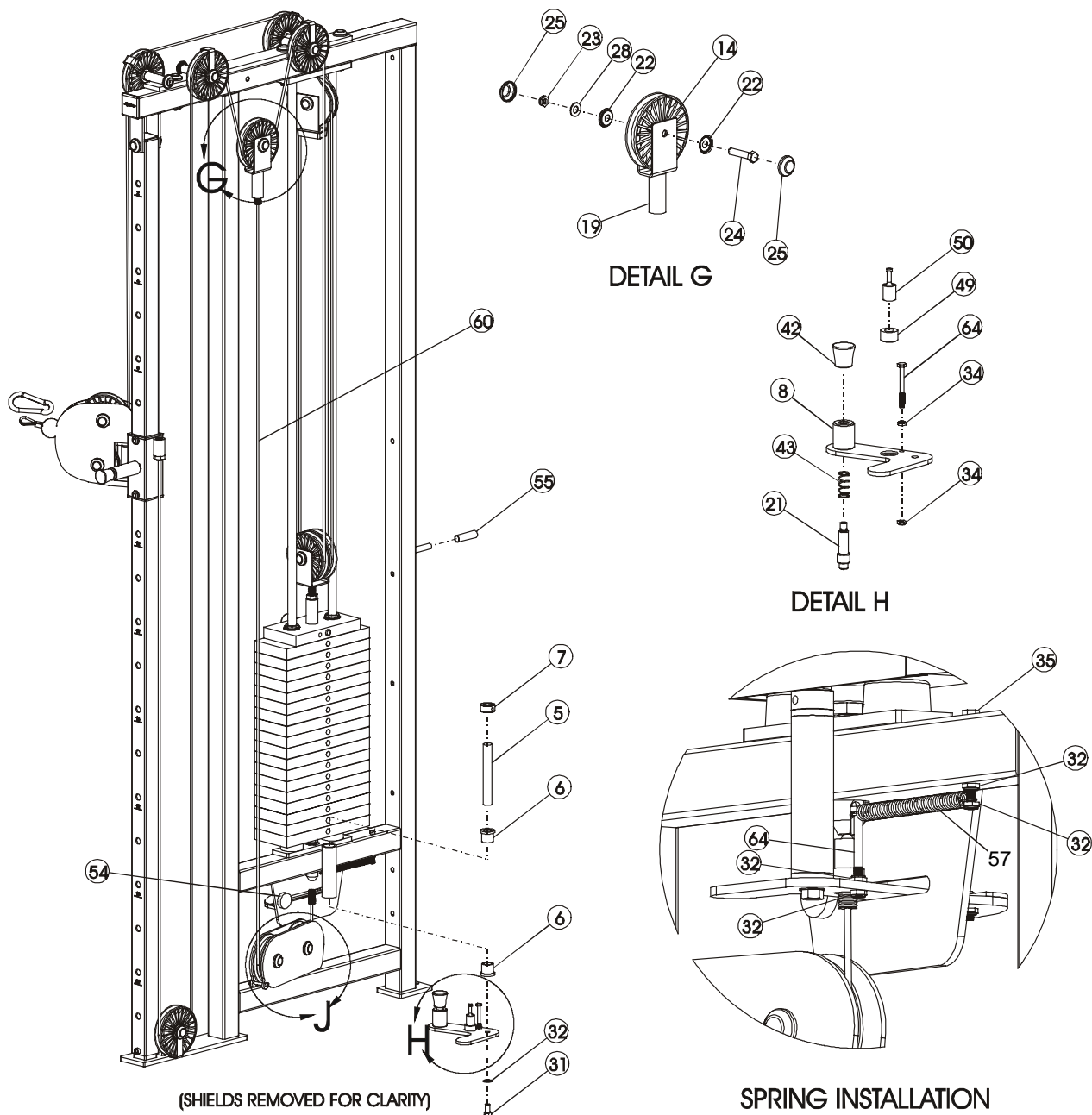
STRENGTH 9000 SERIES TRAINING EQUIPMENT

SM22 - Frame Assembly - Index on Last Page



STRENGTH 9000 SERIES TRAINING EQUIPMENT

SM22 - Frame Assembly - Index on Last Page



| ITEM NO. | QTY. | PART NO. | DESCRIPTION | ITEM NO. | QTY. | PART NO. | DESCRIPTION |
|----------|------|-----------------|---------------------------------|----------|------|-----------------|--------------------------------------|
| 1 | 1 | SM22-S0001-0000 | RT FRAME-WELDED ASSEMBLY | 37 | 1 | 0017-00103-0241 | NUT 7/16-14 THIN NYLOC D ST ZN |
| 2 | 1 | SM22-S0004-0000 | TOP PULLEY BAR, RT | 38 | 1 | 0017-00009-1075 | 3-1/2" PULLEY W/1" HUB |
| 3 | 1 | SM00-M0001-0100 | JUNGLE SS ADJ PULLEY | 39 | 1 | 0017-00101-1521 | 1/4 - 20 X 40 HXS BUT BLT G8 ZN |
| 4 | 1 | SM22-S0012-0000 | TOP PLATE, RT - WELDED ASSY | 40 | 2 | 0017-00104-0349 | 1/4 SPACER |
| 5 | 1 | SM22-M0013-0000 | PIVOT - LEVER | 41 | 1 | 0017-00101-1399 | 1/4-20X44 UNS HEX BLT G5 |
| 6 | 2 | 0017-00009-0929 | 3/4 ID OILITE BUSHING; FLANGE | 42 | 1 | 0017-00009-1077 | KNOB, BLACK TULIP STYLE |
| 7 | 1 | 0017-00009-1019 | 3/4" LOCK COLLAR | 43 | 1 | 0017-00009-0998 | SPRING, PULL PIN SMALL 1-3/8 |
| 8 | 1 | SM22-S0008-0000 | LEVER, RT - WELDED ASSY | 44 | 2 | 0017-00042-0967 | 3/4 ID BLACK PLASTIC ROD CAP |
| 9 | 1 | SM22-M0022-0100 | TOP LOCKING PLATE | 45 | 1 | 0017-00042-0958 | 2X2 BLACK PLASTIC CAP |
| 10 | 1 | SM22-A0004-0000 | SELECTOR ASSY - RT | 46 | 1 | 0017-00042-0947 | 1-3/4" X 1-3/4" 11 GAUGE PLASTIC CAP |
| 11 | 2 | OK50-E0038 | 2.5" STANDARD SIDE SHIELD | 47 | 6 | 0017-00103-0212 | NUT 10-24 NUTSERT ST ZN |
| 12 | 2 | SM22-M0023-0000 | GUIDE ROD - DUAL ADJ PULLEY | 48 | 8 | 0017-00101-1616 | 10-24 X 8 PHL PAN MS ST ZN |
| 13 | 2 | 0017-00042-0993 | WEIGHT STACK DONUT 1" THICK | 49 | 1 | SM22-M0019-0000 | BOTTOM JAM - CABLE RELEASE |
| 14 | 12 | 0017-00009-0977 | 4-1/2" PULLEY W/1" HUB | 50 | 1 | SM22-M0018-0000 | PIN - CABLE RELEASE |
| 15 | 5 | OK50-P0519-0000 | CABLE GUARD | 51 | 1 | SM22-M0017-0000 | HITCH - CABLE RELEASE |
| 16 | 1 | AK50-WS019 | SM22 WEIGHT STACK | 52 | 1 | OK50-P0322-0000 | THREADED PLUG |
| 17 | 1 | SM00-S0044-0000 | ADJUSTABLE PULLEY HSG. SUB | 53 | 5 | 0017-00103-0234 | NUT 9/16 - 12 JAM D ST ZN |
| 18 | 1 | SM22-S0011-0000 | FLTG DBL PULLEY, MALE | 54 | 1 | 0017-00042-0978 | RUBBER STOP |
| 19 | 1 | AK50-S0007-0000 | PULLEY, FLOATING FEMALE | 55 | 1 | 0017-00009-0947 | 2-1/4" NYLON PEG COVER |
| 20 | 1 | OK50-E0041 | PLASTIC SHIELD W/ LOGO | 56 | 2 | 0017-00101-1587 | SHIELD RIVET |
| 21 | 1 | OK50-P0124-0000 | PULL PIN | 57 | 1 | 0017-00009-1074 | SPRING |
| 22 | 28 | 0017-00104-0368 | CAPLUG WASHER; RHW 205 | 58 | 1 | AK50-CL435-0014 | SM22 CABLE - LONG |
| 23 | 16 | 0017-00103-0217 | NUT 3/8 - NYLOC; THIN NY NO | 59 | 1 | 0017-00100-0181 | SNAP RING; 3/8 CARRIBEANER |
| 24 | 5 | 0017-00101-1413 | 3/8 - 16 X 28 UNS HEX BLT G5 ZN | 60 | 1 | AK50-CL089-1216 | SM22 CABLE - SHORT |
| 25 | 28 | 0017-00042-0969 | CAPLUG CAP; RH-20 | 61 | 1 | OK50-P0532-0000 | PULLEY GUARD |
| 26 | 2 | 0017-00101-1408 | 3/8 - 16 X 44 UNS HEX BLT G5 ZN | 62 | 1 | 0017-00042-1032 | RUBBER STOP |
| 27 | 2 | 0017-00101-1425 | 3/8 16 X 52 UNH HEX BLT G5 ZN | 63 | 3 | 0017-00103-0228 | NUT 10 - 24 NYLOC D ST ZN |
| 28 | 12 | 0017-00104-0313 | 3/8" FLAT WASHER | 64 | 1 | 0017-00101-1397 | 1/4-20X40 HXS FLT BLT G8 |
| 29 | 5 | 0017-00101-1420 | 3/8 - 16 X 64 UNS HEX BLT G5 ZN | 65 | 1 | 0017-00101-1392 | 1/4 - 20 X 20 HXS SOC SHL G8 ZN |
| 30 | 1 | 0017-00101-1416 | 3/8-16 X 2.00 UNS HEX BLT ST ZN | 66 | 1 | OK50-P0569-0000 | PROTECTION STRIP |
| 31 | 1 | 0017-00101-1428 | 3/8-16 X 12 UNS HEX BLT G8 ZN | 67 | 1 | M051-00293-A000 | WARNING DECAL |
| 32 | 1 | 0017-00104-0377 | WSH .375 INT LOCK ST ZN | 68 | 1 | M051-00427-A000 | LEVER ADJ. DECAL (RIGHT) |
| 33 | 2 | 0017-00101-1478 | 1/4 - 20 12 HXS BUT BLT G5 ZN | 69 | 1 | M051-00287-A000 | PATENT PENDING DECAL |
| 34 | 7 | 0017-00103-0227 | NUT 1/4 - 20 THIN NYLOC D ST ZN | 70 | 1 | M051-00442-A000 | MOTION TECHNOLOGY DECAL |
| 35 | 1 | 0017-00101-1440 | 7/16-14 X 64 UNS HEX BLT G8 ZN | 71 | 1 | 0017-00101-1417 | 3/8 X 2-1/2 BOLT |
| 36 | 2 | 0017-00104-0363 | WSH 4375 4375-.750-063 FLAT ZN | | | | |