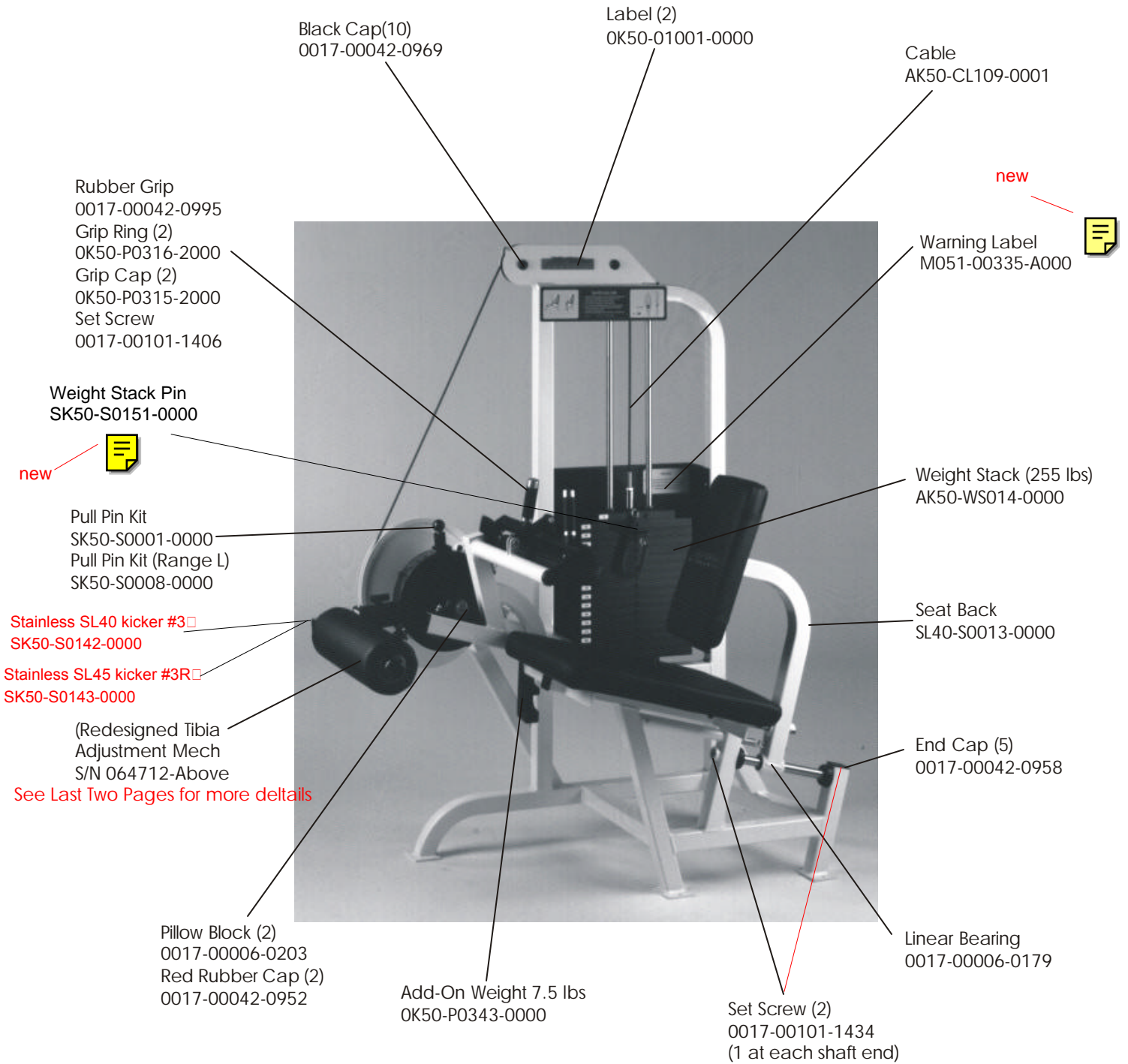


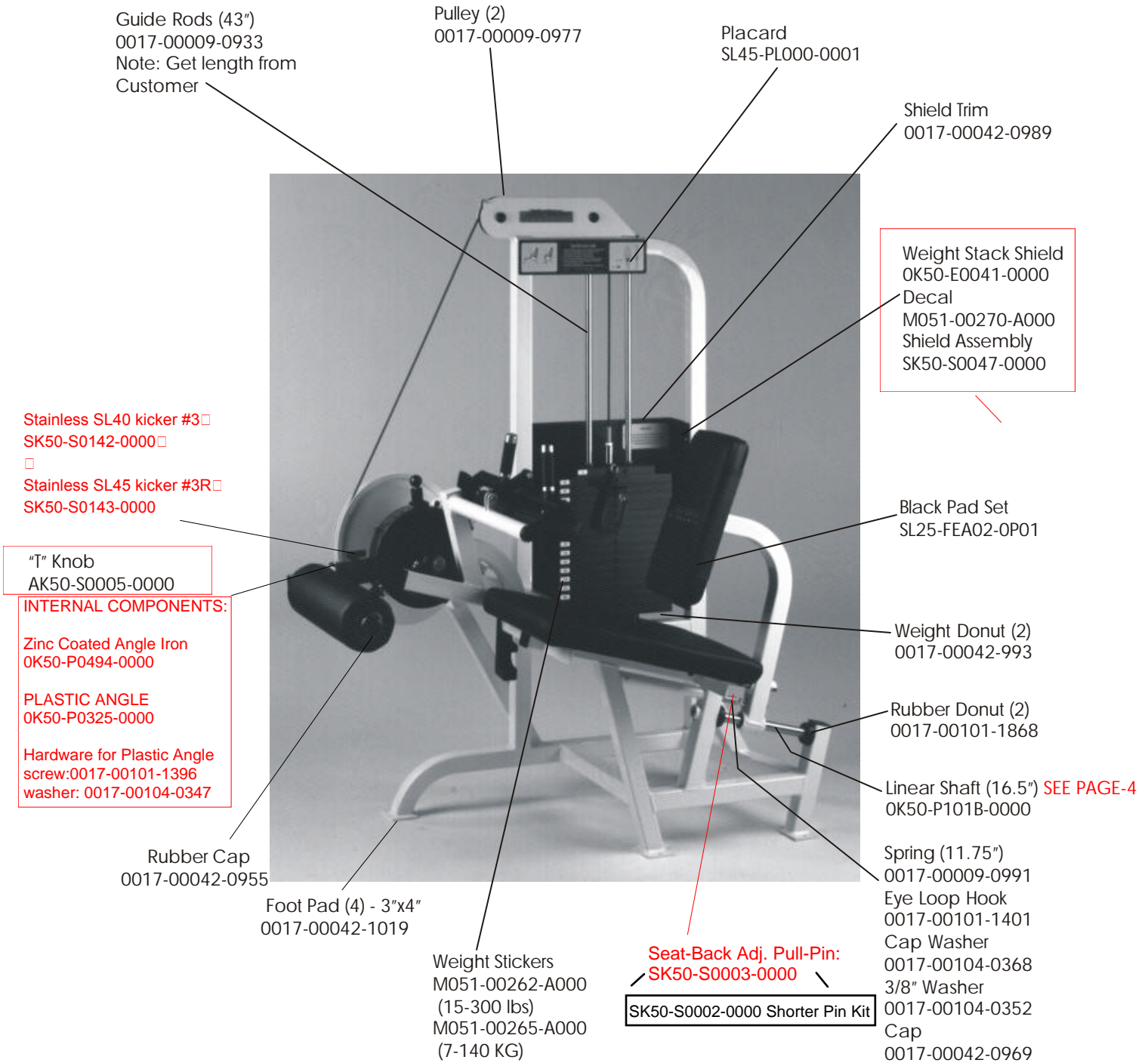
# STRENGTH 9000 SERIES TRAINING EQUIPMENT

## SL40/45 Seated Leg Curl



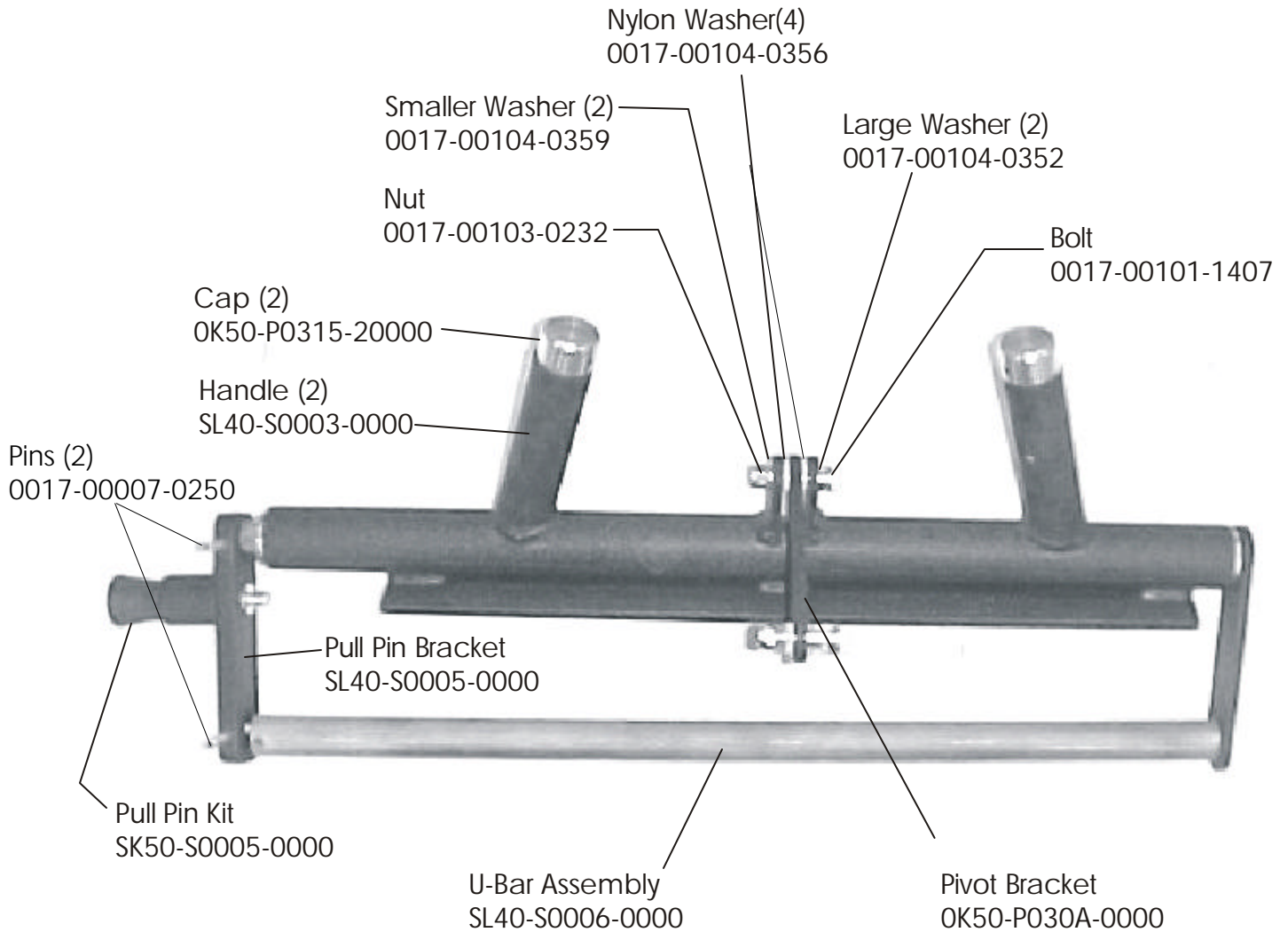
# STRENGTH 9000 SERIES TRAINING EQUIPMENT

## SL20/25 Leg Extension



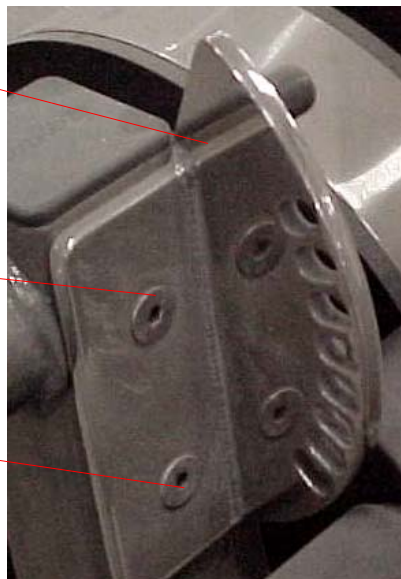
# STRENGTH 9000 SERIES TRAINING EQUIPMENT

## Thigh Pad Restraint Mechanism



Chrome Selector Housing   
 SL40-S0007-0000

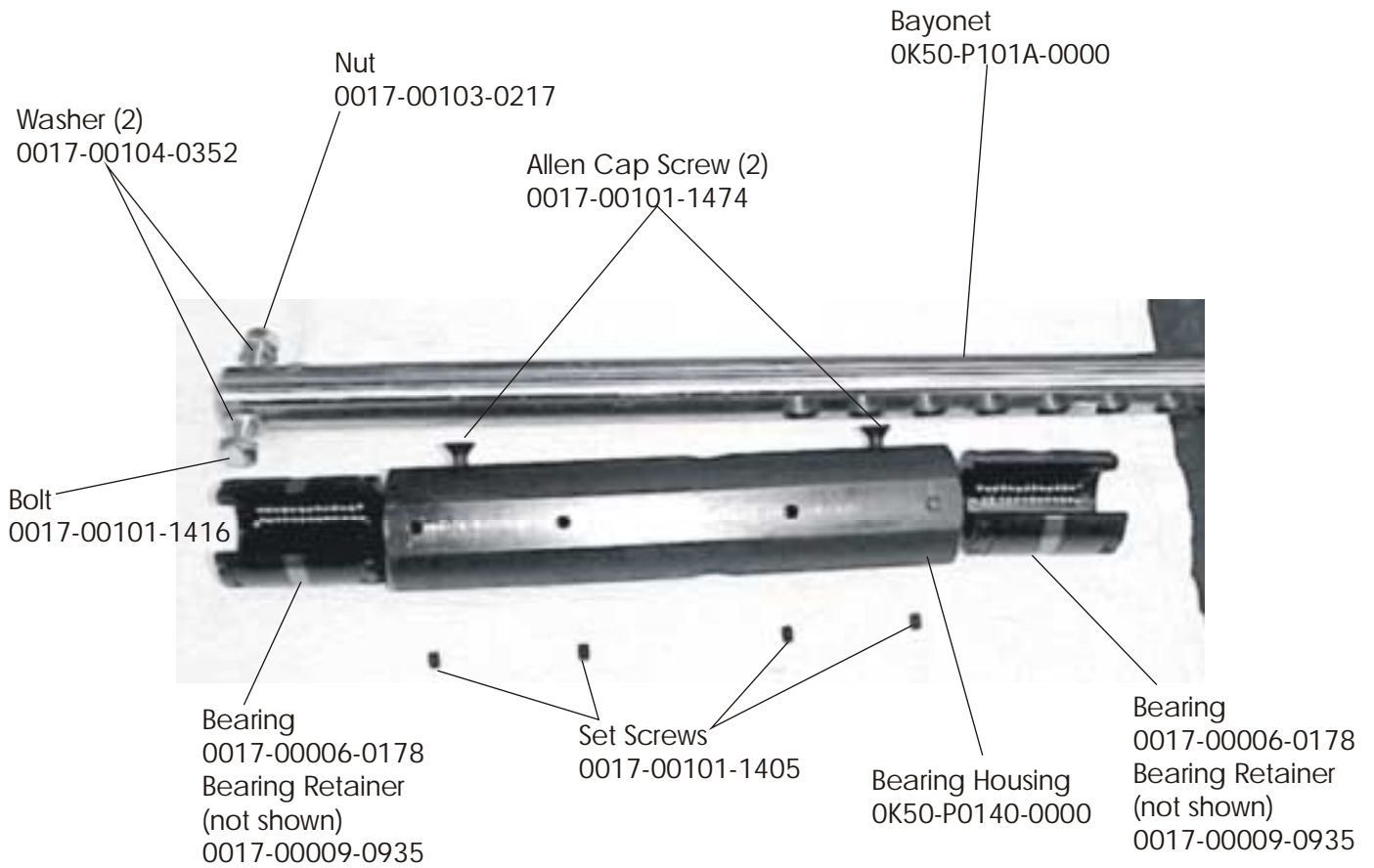
Allen Screw   
 0017-00101-1558   
  
  
 Allen Bolt   
 0017-00101-1514   
 5/16" Nut   
 0017-00103-0239   
 Washer   
 0017-00104-0368   
 Finishing Cap   
 0017-00042-0969



# STRENGTH 9000 SERIES TRAINING EQUIPMENT

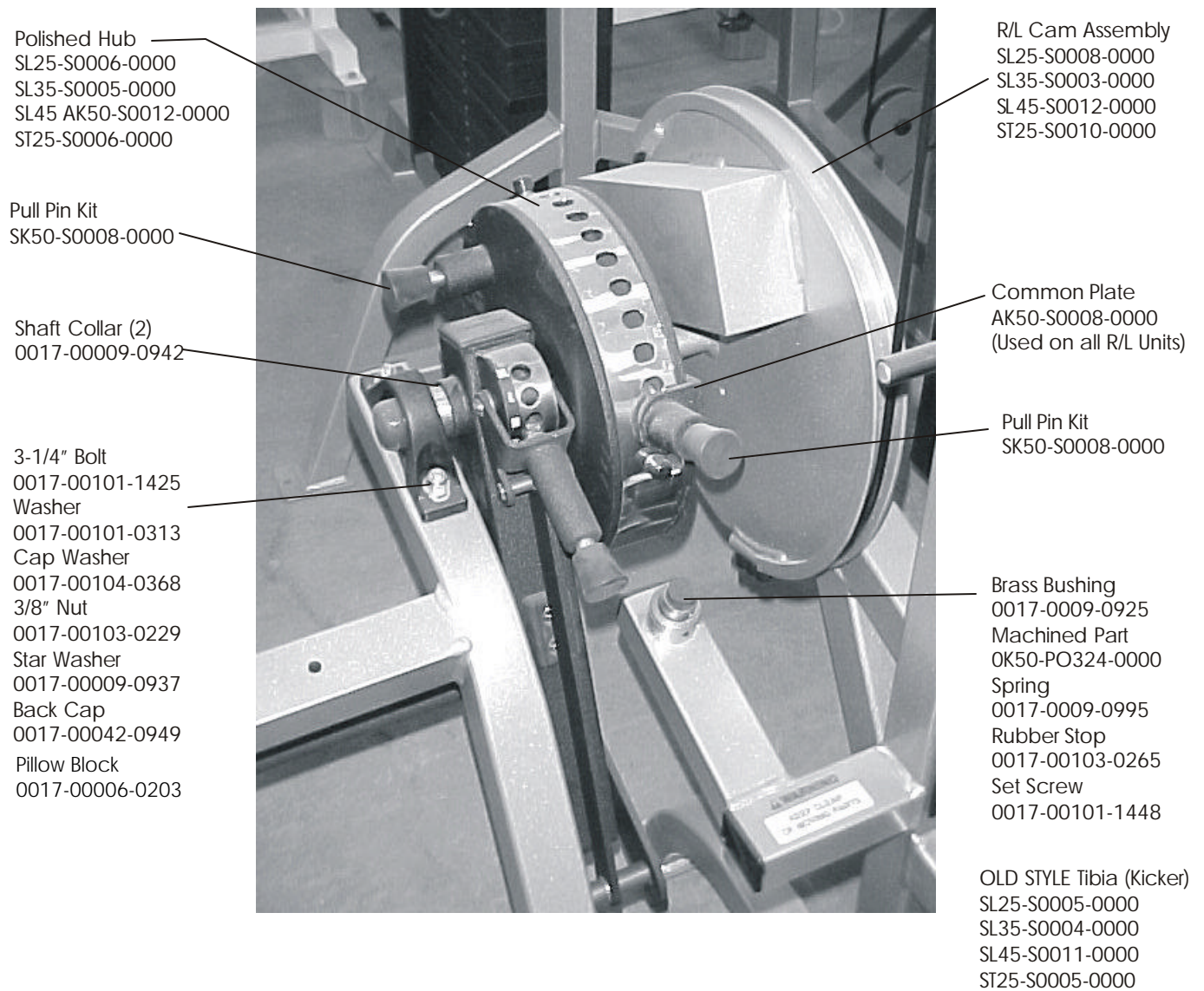
## SL20/25/40/45 Leg Extension/Curl - Under Seat Bearing Housing

---



# SL25: STRENGTH 9000 SERIES TRAINING EQUIPMENT

## Range Limiter

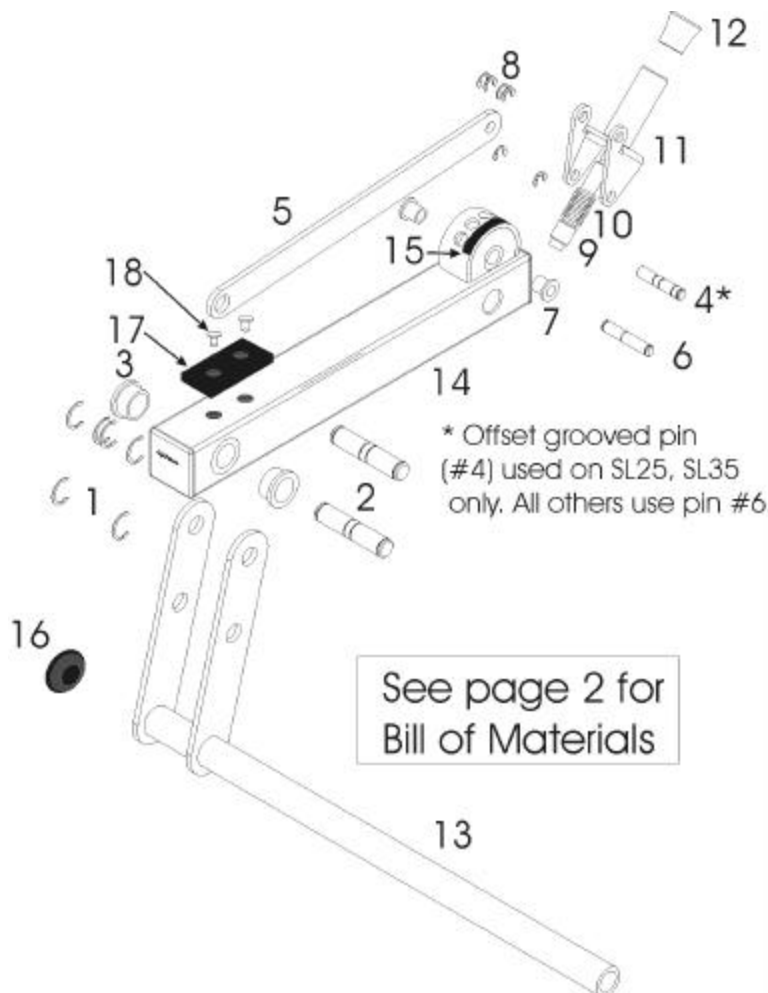


# Service Bulletin



Bulletin #	Revision	Distribution	Date	Author
ST01041701	Original	<input checked="" type="checkbox"/> Domestic <input type="checkbox"/> International	April 17, 2001	Taylor
<b>Subject:</b> Redesigned Tibia Adjustment Mechanism				
<b>Serial Number:</b> SL20 SN064553, SL25 SN064574, SL30 SN070587, SL35 SN070857, SL40 SN064555, SL45 SN064712, ST20 SN070509, and ST25 SN070642				
<b>Time Required:</b> <input type="checkbox"/> 15 min <input type="checkbox"/> 30 min <input type="checkbox"/> 45 min <input type="checkbox"/> 1 hr +				
<b>Classification:</b> <input type="checkbox"/> Internal <input type="checkbox"/> Dealer <input checked="" type="checkbox"/> General				

A redesigned tibia adjustment mechanism is factory installed on models and serial numbers as indicated above. Use exploded view and the corresponding parts list as necessary.



## PARTS FOR TIBIA ADJUSTMENT MECHANISM

Item	Qty	Part Number	Description
1	6	0017-00100-0192	3/4" Retaining Clips
2	2	0K50-P0544-0000	3/4" Grooved Pins
3	2	0017-00009-0929	3/4" Bushings
4	1	0K50-P0582-0000	7/16" Offset Pin (SL25 and SL35)
5	1	0K50-P0573-0000	Kicker Link (SL40 and SL45)
5	1	0K50-P0553-0000	Kicker Link (SL20 and SL25)
6	1	0K50-00564-0000	7/16" Grooved Pin
7	2	0017-00009-0931	7/16" Bushings
8	6	0017-00100-0191	7/16" Retaining Clips
9	1	0K50-P0121-0000	Handle Pin
10	1	0017-00009-0994	Spring
11	1	AK50-S0030-0000	Pull Pin Bracket
12	1	0017-00009-1077	Tulip Handle
13	1	AK50-S0031-0000	Swivel Pad Mount
14	1	SL20-S0011-0000	Kicker Tube
		SL25-S0009-0000	
		SL30-S0005-0000	
		SL35-S0001-0000	
		SL40-S0014-0000	
		SL45-S0012-0000	
		ST25-S0011-0000	
		ST20-S0008-0000	
15	1	M051-00360-A000	Letter Strip (SL20 and SL25)
		M051-00362-A000	Letter Strip (SL30, SL35, SL40, SL45, ST20, ST25)
16	1	0017-00009-1091	Black Cap
17	1	0017-00042-1032	Bumper
18	2	0017-00072-0136	Rivets