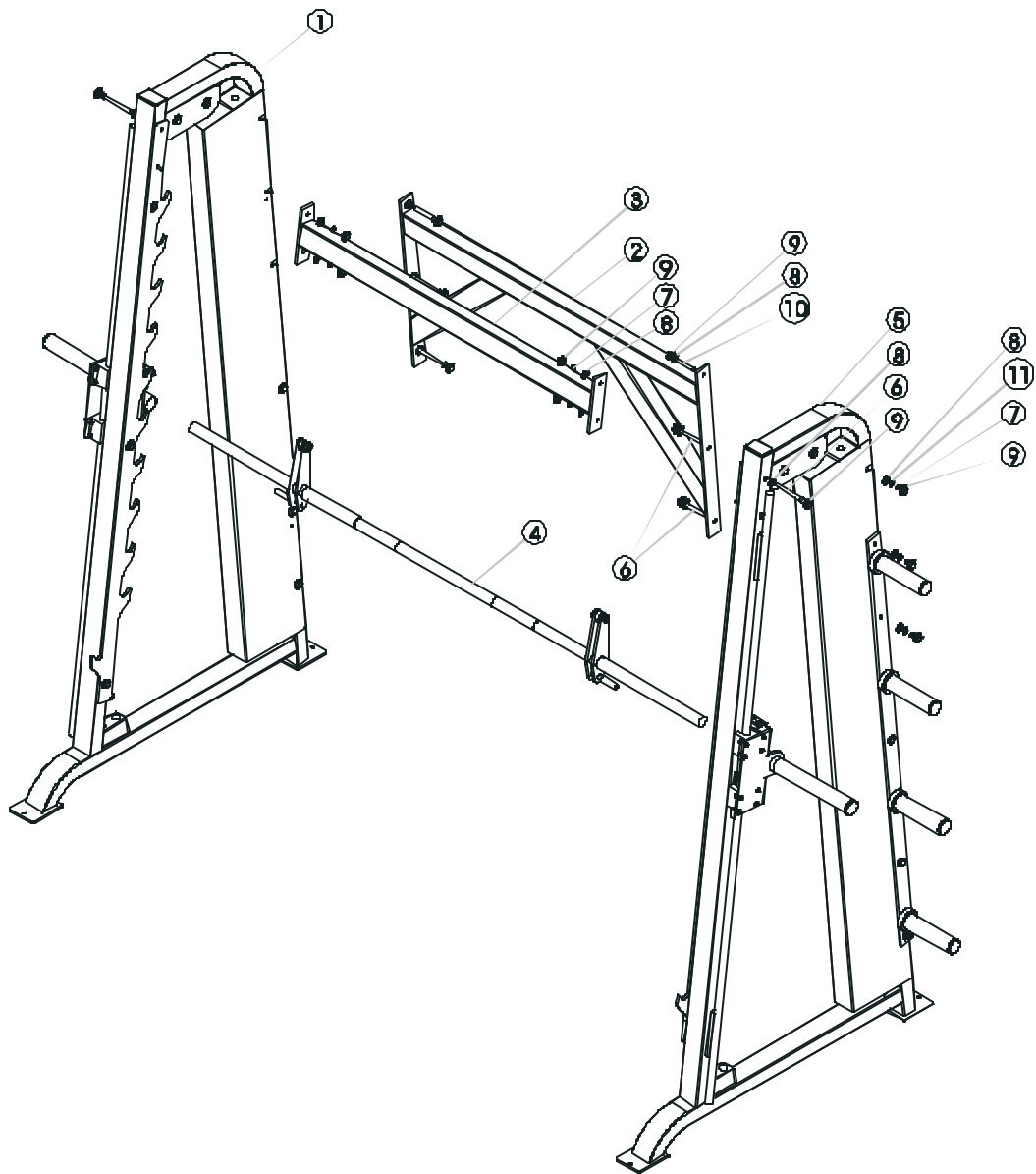


STRENGTH 9000 SERIES TRAINING EQUIPMENT

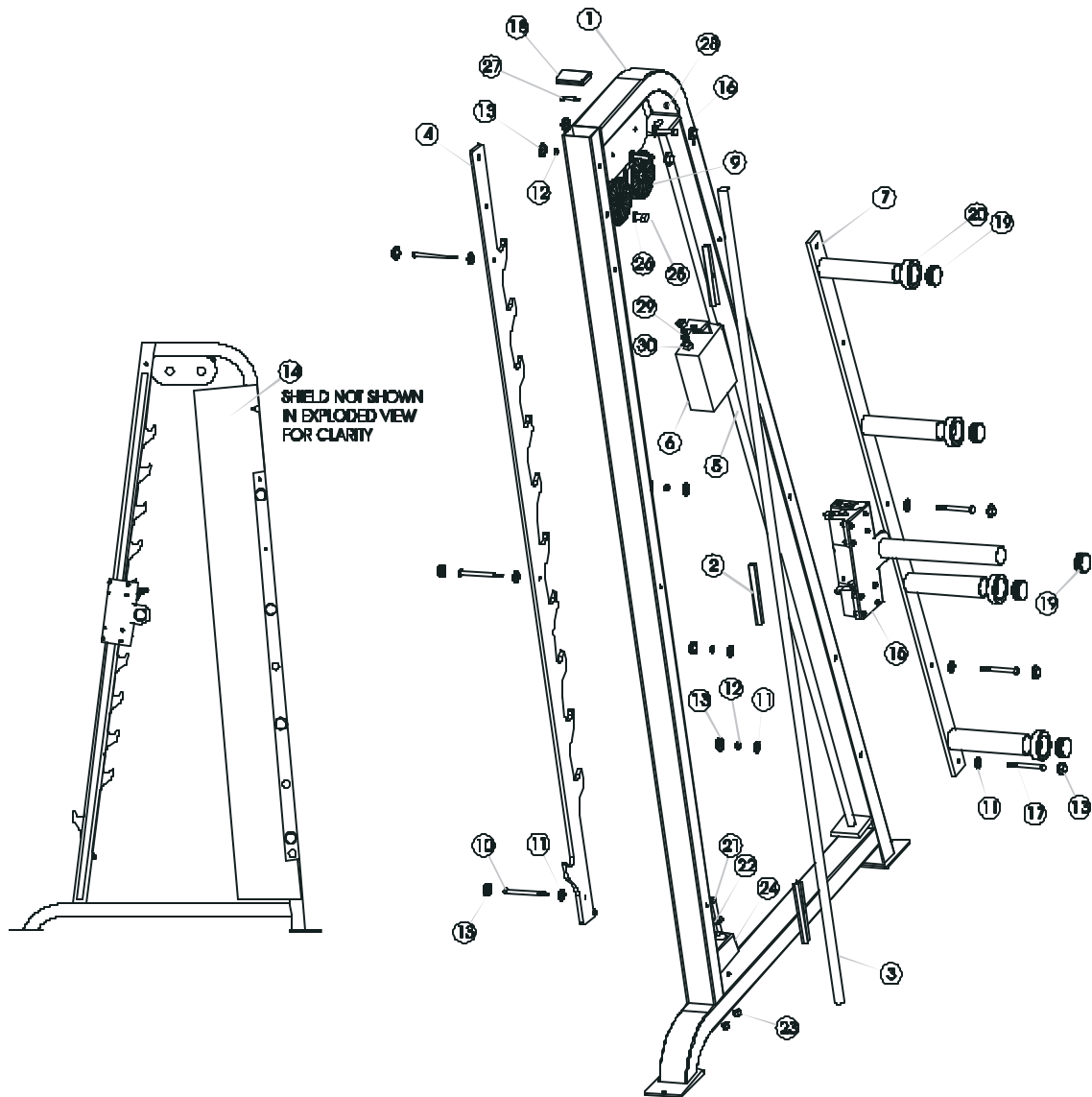
PL06 Smith Machine



ITEM NO.	QTY.	PART NO.	DESCRIPTION
1	1	PL06-S011R-ASSY	SMITH RIGHT UPRIGHT
2	1	PL06-S0009-0000	SMITH BACK BRACE
3	1	PL06-S0008-0000	SMITH FRONT BRACE
4	1	PL06-S0014-ASSY	SMITH BAR ASSEMBLY
5	1	PL06-S011L-ASSY	SMITH LEFT UPRIGHT
6	6	0017-00101-1567	3/8 X 4 1/4 Bolt
7	10	0017-00103-0217	NUT 3/8 - NYLOC; THIN NY NO
8	18	0017-00104-0368	CAPLUG WASHER; RHW 205
9	18	0017-00042-0969	CAPLUG CAP; RH-20
10	2	0017-00101-1420	3/8 - 16 X64 UNS HEX BLT G5 ZN
11	6	0017-00104-0313	WSH 375 - ID 13/32 OD 13/16 FL-D ST ZN

STRENGTH 9000 SERIES TRAINING EQUIPMENT

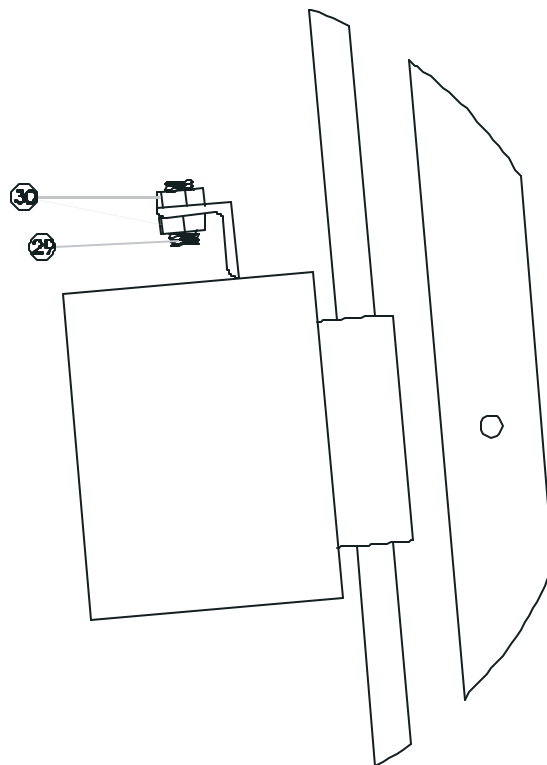
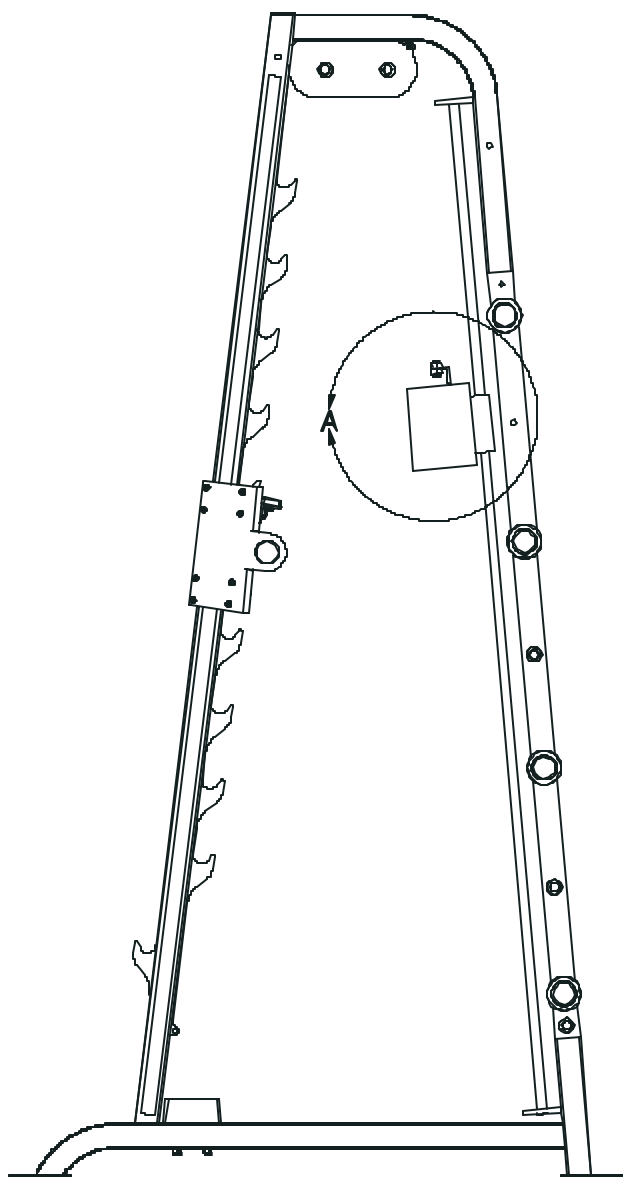
PL06 Left Upright



ITEM NO	QTY	PART NO.	DESCRIPTION	ITEM NO	QTY	PART NO.	DESCRIPTION
1	1	PL06-S0011-0000	SMITH UPRIGHT	16	2	0017-00101-1413	3/8 - 16 X 28 UNS HEX BLT G5 ZN
2	3	PL05-M0012-0000	RAIL SUPPORT	17	3	0017-00101-1500	3/8-16 X60 UNS HEX BLT G5 ZN
3	1	PL06-M0013-0000	LINEAR SHAFTING	18	1	0017-00042-0959	2" X 3" X 11 GAUGE BLACK PLATIC
4	1	PL06-M0023-0000	HOOKPLATE	19	5	0017-00042-1035	PLASTIC END CAP (RIBBED-HAMMER)
5	1	0017-00009-0933	GUIDE ROD 81.5"	20	4	0017-00042-1036	WEIGHT PLATE DONUT BUMPER
6	1	PL06-S0013-0000	COUNTER WEIGHT SUBASSEMBLY	21	2	0017-00101-1425	3/8-16X52 UNS HEX BLT G5 ZN
7	1	PL06-S0010-0000	WEIGHT HORN SUBASSEMBLY	22	2	0017-00104-0311	WSH 500-XXX FL-D ST ZN
8				23	2	0017-00103-0229	NUT 3/8 - 16 NYLOC D ST ZN
9	2	0017-00009-0977	4-1/2" PULLEY W/ 1" HUB	24	1	0017-00042-1034	Bumper, Hammer Style (Tall)
10	3	0017-00101-1568	5/16 - 16 X 72 UNS HEX BLT G8 ZN	25	1	0017-00101-1567	3/8" X 4-1/4" Bolt
11	13	0017-00104-0368	CAPLUG WASHER: RHW 205	26	1	0017-00104-0313	WSH 375 - ID 13/32 OD 13/16 FL-D ST ZN
12	5	0017-00103-0217	NUT 3/8 - NYLOC: THIN NY NO	27	1	0017-00101-1392	1/4 - 20 X 20 HXS SOC SHL G8 ZN
13	13	0017-00042-0969	CAPLUG CAP: RH-20	28	1	0017-00103-0228	NUT 10 -24 NYLOC D ST ZN
14	1	PL06-M0027-0000	SMITH SHIELD	29	1	0K50-P0499	1.25 X .220 I.D. THREADED PLUG
15	1	PL06-S012L-ASSY	SMITH CARRIAGE SUBASSEMBLY	30	2	0017-00103-0234	NUT 9/16 - 12 JAM D ST ZN

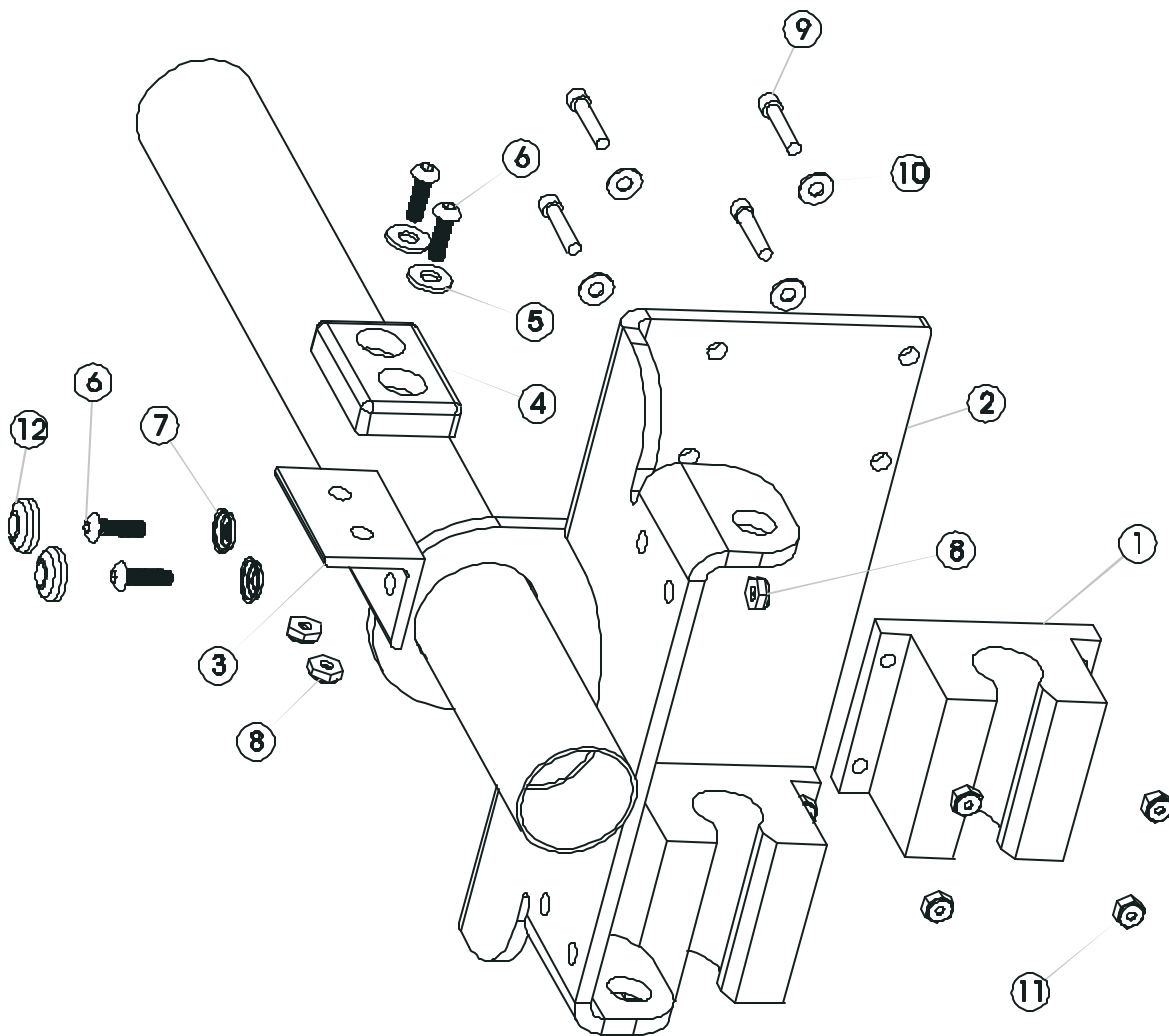
STRENGTH 9000 SERIES TRAINING EQUIPMENT

PL06 Left Upright - Continued



DETAIL A
COUNTER WEIGHT ASSEMBLY

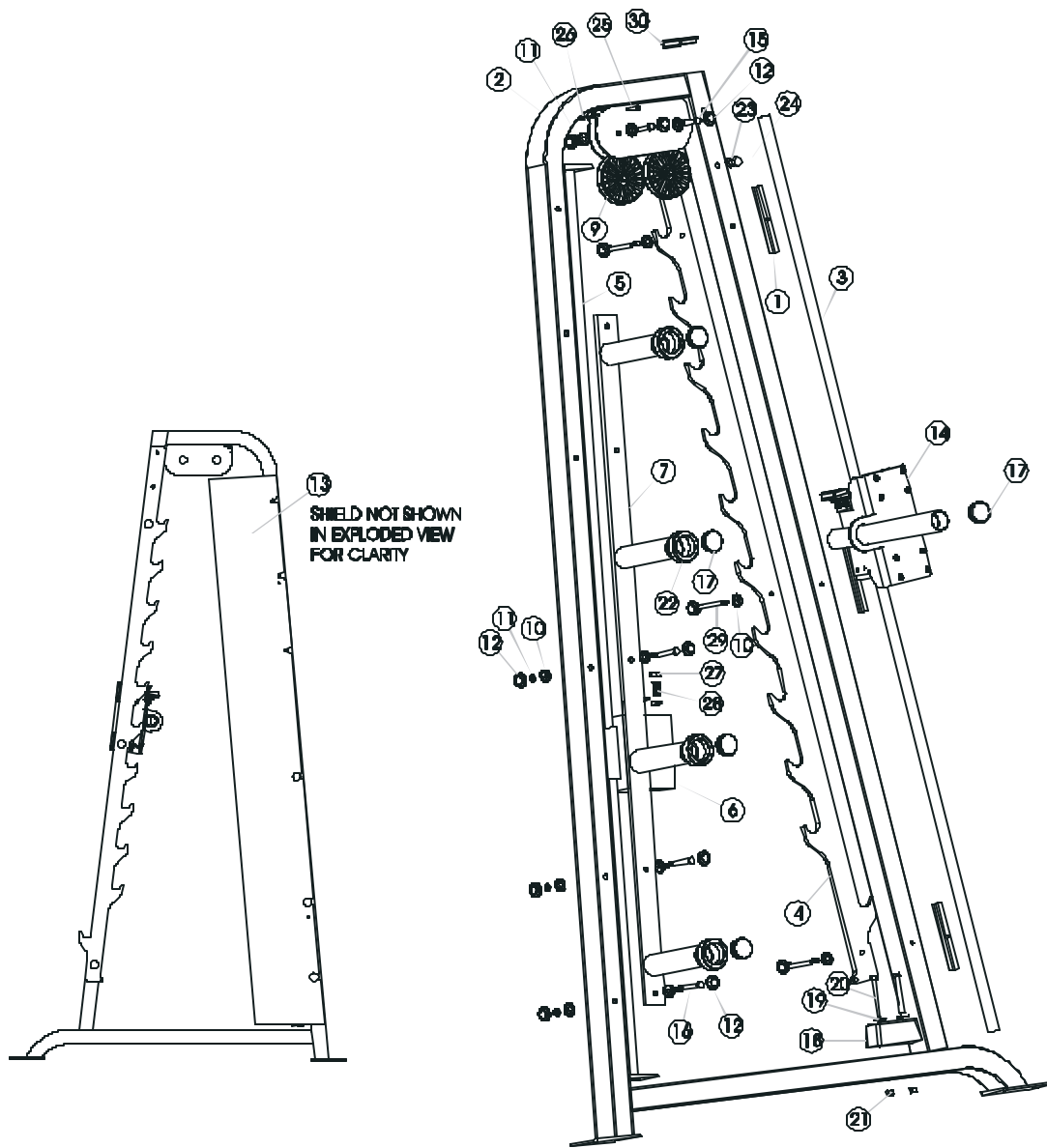
STRENGTH 9000 SERIES TRAINING EQUIPMENT
PL06 Left Carriage Sub Assembly SK50-S0105-0000



ITEM NO.	QTY.	PART NO.	DESCRIPTION
1	2	SK50-S0031-0000	BRG: BAL 1.000 X 442 SSUPBO 16
2	1	PL06-S0012-0000	SMITH CARRIAGE
3	1	PL06-M0046-0000	SMITH STOP
4	1	0K01-01029-0000	SMALL HAMMER BUMPER
5	2	0017-00104-0312	.25" FLAT WASHER
6	4	0017-00101-1478	1/4 - 20 12 HXS BUT BLT G5 ZN
7	2	0017-00104-0365	CAPLUG WASHER; RHW 105
8	4	0017-00103-0227	NUT 1/4 - 20 THIN NYLOC D ST ZN
9	8	0017-00101-1569	#10-24 X 16 HEX CAP BLT G8 BLK
10	8	0017-00104-0310	WSH 10 FL-D ST ZN
11	8	0017-00103-0228	NUT 10 -24 NYLOC D ST ZN
12	2	0017-00042-0968	CAPLUG CAP; RH-10

STRENGTH 9000 SERIES TRAINING EQUIPMENT

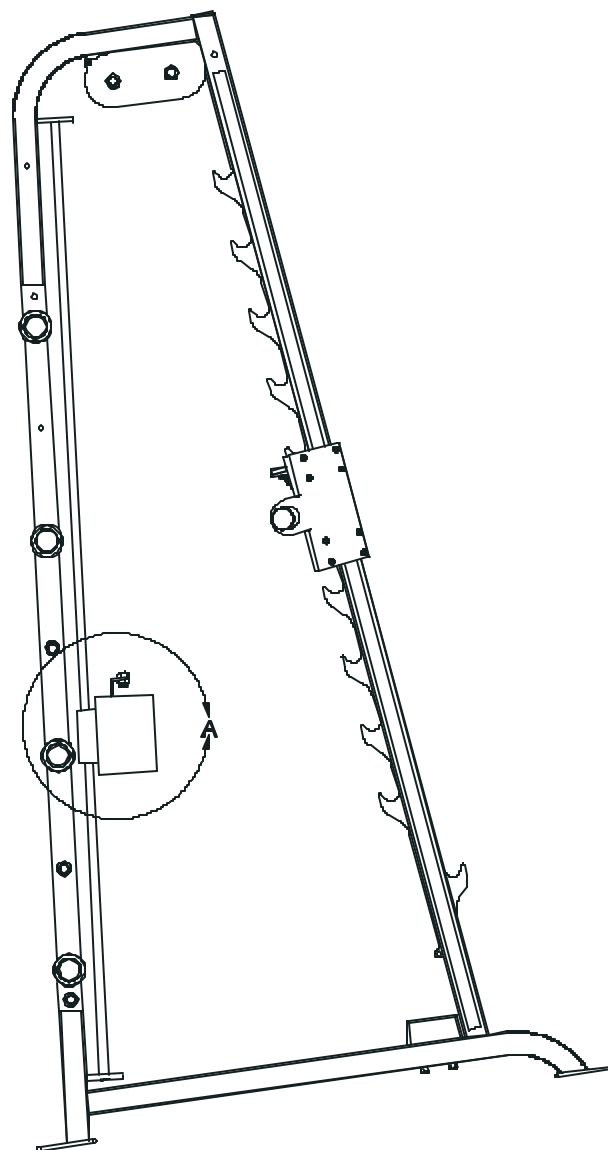
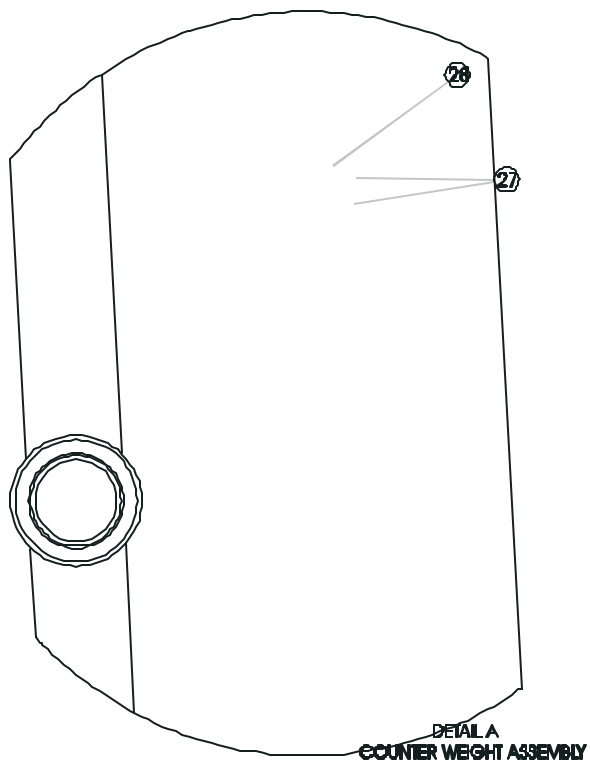
PL06 Right Upright



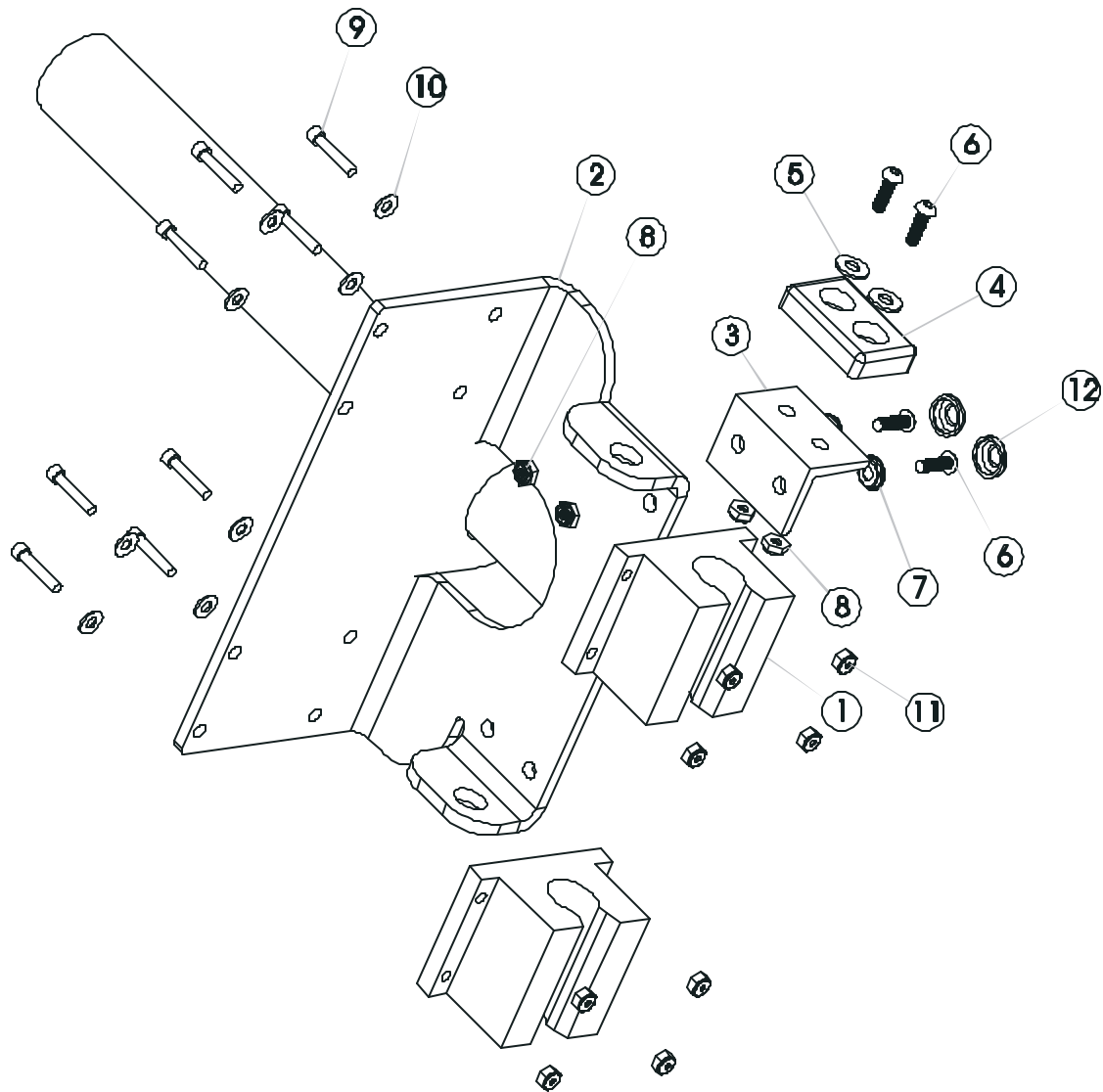
ITEM NO.	QTY.	PART NO.	DESCRIPTION	ITEM NO.	QTY.	PART NO.	DESCRIPTION
1	3	PL05-M0012-0000	RAIL SUPPORT	16	3	0017-00101-1500	3/8-16 X60 UNS HEX BLT G5 ZN
2	1	PL06-S0011-0000	SMITH UPRIGHT	17	5	0017-00042-1035	PLASTIC END CAP (RIBBED-HAMMER)
3	1	PL06-M0013-0000	LINEAR SHAFING	18	1	0017-00042-1034	Bumper, Hammer Style (Tall)
4	1	PL06-M0023-0000	HOOKPLATE	19	2	0017-00104-0311	WSH 500-XXX FL-D ST ZN
5	1	0017-00009-0933	GUIDE ROD 81.5"	20	2	0017-00101-1425	3/8-16X52 UNS HEX BLT G5 ZN
6	1	PL06-S0013-0000	COUNTERWEIGHT SUBASSEMBLY	21	2	0017-00103-0229	NUT 3/8 - 16 NYLOC D ST ZN
7	1	PL06-S0010-0000	WEIGHT HORN SUBASSEMBLY	22	4	0017-00042-1036	WEIGHT PLATE DONUT BUMPER
8				23	1	0017-00104-0313	WSH 375 - ID 13/32 OD 13/16 FL-D ST ZN
9	2	0017-00009-0977	4-1/2" PULLEY W/ 1" HUB	24	1	0017-00101-1567	3/8" X 4-1/4" Bolt
10	13	0017-00104-0368	CAPLUG WASHER; RHW 205	25	1	0017-00101-1392	1/4 - 20 X 20 HXS SOC SHL G8 ZN
11	5	0017-00103-0217	NUT 3/8 - NYLOC; THIN NY NO	26	1	0017-00103-0228	NUT 10 -24 NYLOC D ST ZN
12	13	0017-00042-0969	CAPLUG CAP; RH-20	27	2	0017-00103-0234	NUT 9/16 - 12 JAM D ST ZN
13	1	PL06-M0027-0000	SMITH SHIELD	28	1	0K50-P0499	1.25 X .220 I.D. THREADED PLUG
14	1	PL06-S012R-ASS	SMITH CARRIAGE SUBASSEMBLY	29	3	0017-00101-1568	5/16 - 16 X 72 UNS HEX BLT G8 ZN
15	2	0017-00101-1413	3/8 - 16 X 28 UNS HEX BLT G5 ZN	30	1	0017-00042-0959	2" X 3" X 11 GAUGE BLACK PLATIC

STRENGTH 9000 SERIES TRAINING EQUIPMENT

PL06 Right Upright - Continued

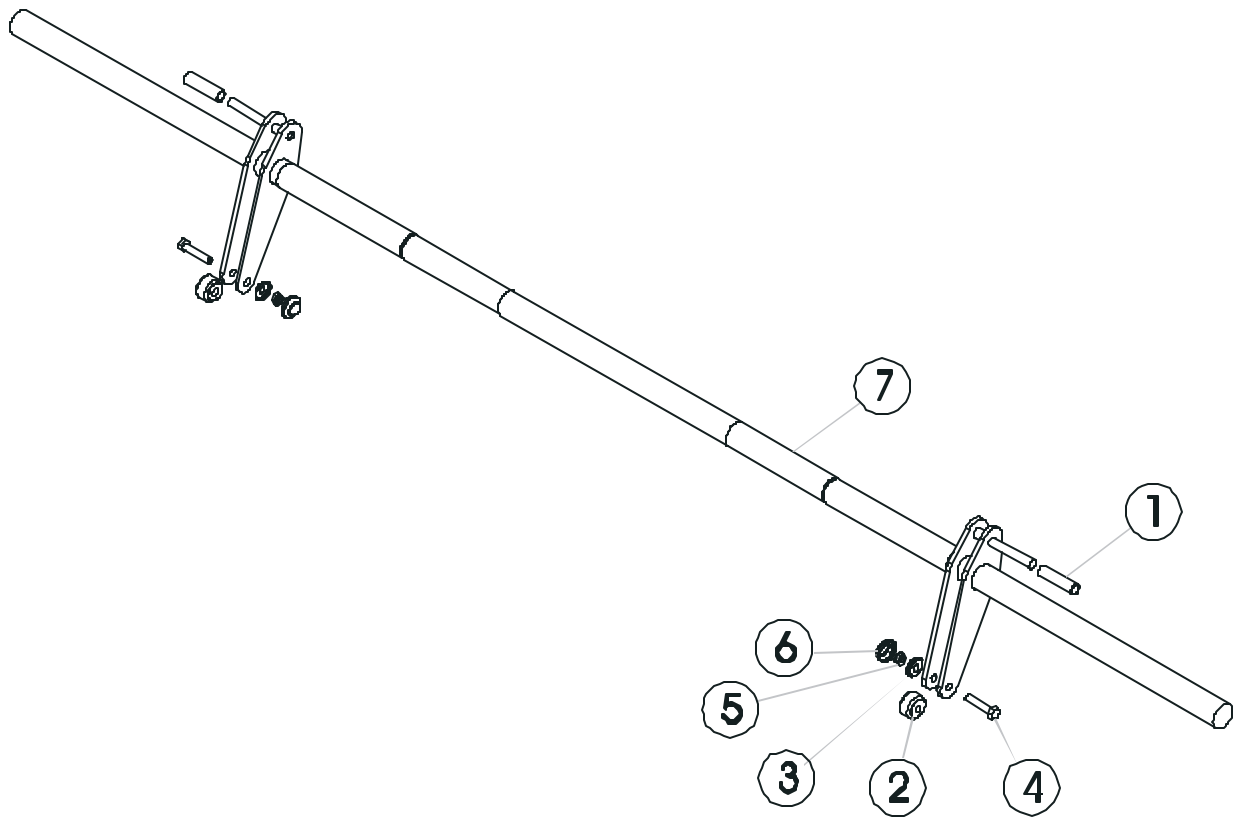


STRENGTH 9000 SERIES TRAINING EQUIPMENT
PL06 Right Carriage Sub Assembly SK50-S0104-0000



ITEM NO.	QTY.	PART NO.	DESCRIPTION
1	2	SK50- S0031-0000	BRG: BAL 1.000 X 442 SSUPBO 16
2	1	PL06-S0012-0000	SMITH CARRIAGE
3	1	PL06-M0046-0000	SMITH STOP
4	1	0K01-01029-0000	SMALL HAMMER BUMPER
5	2	0017-00104-03 12	.25" FLAT WASHER
6	4	0017-00101-14 78	1/4 - 20 12 HXS BUT BLT G5 ZN
7	2	0017-00104-03 65	CAPLUG WASHER; RHW 105
8	4	0017-00103-02 27	NUT 1/4 - 20 THIN NYLOC D ST ZN
9	8	0017-00101-15 69	#10-24 X 16 HEX CAP BLT G8 ZN
10	8	0017-00104-03 10	WSH 10 FL-D ST ZN
11	8	0017-00103-02 28	NUT 10 -24 NYLOC D ST ZN
12	2	0017-00042-09 68	CAPLUG CAP; RH-10

STRENGTH 9000 SERIES TRAINING EQUIPMENT
PL06 Bar Assembly SK50-S0107-0000



ITEM NO	QTY.	PART NO.	DESCRIPTION
1	2	0017-00009-0947	2-1/4" NYLON PEG COVER
2	2	0017-00009-1031	CAM FOLLOWER TORRINGTON YCR-20
3	2	0017-00104-0368	CAPLUG WASHER; RHW 205
4	2	0017-00101-1413	3/8 - 16 X 28 UNS HEX BLT G5 ZN
5	2	0017-00103-0217	NUT 3/8 - NYLOC; THIN NY NO
6	2	0017-00042-0969	CAPLUG CAP; RH-20
7	1	PL06-S0014-0000	SMITH BAR WELDMENT