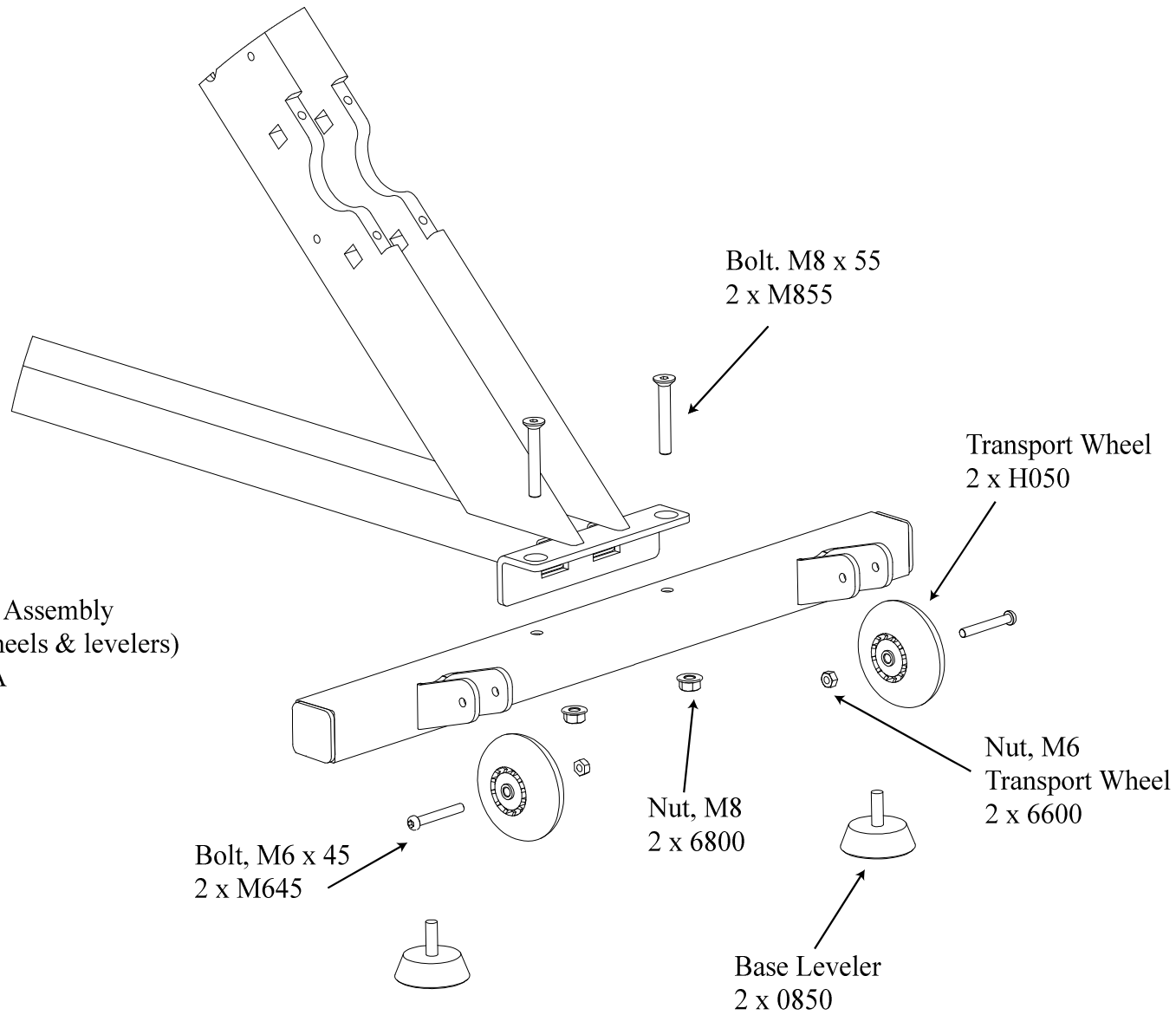


*Front Base Assembly
(includes wheels & levelers)
PN H107AA



Front Base Assembly