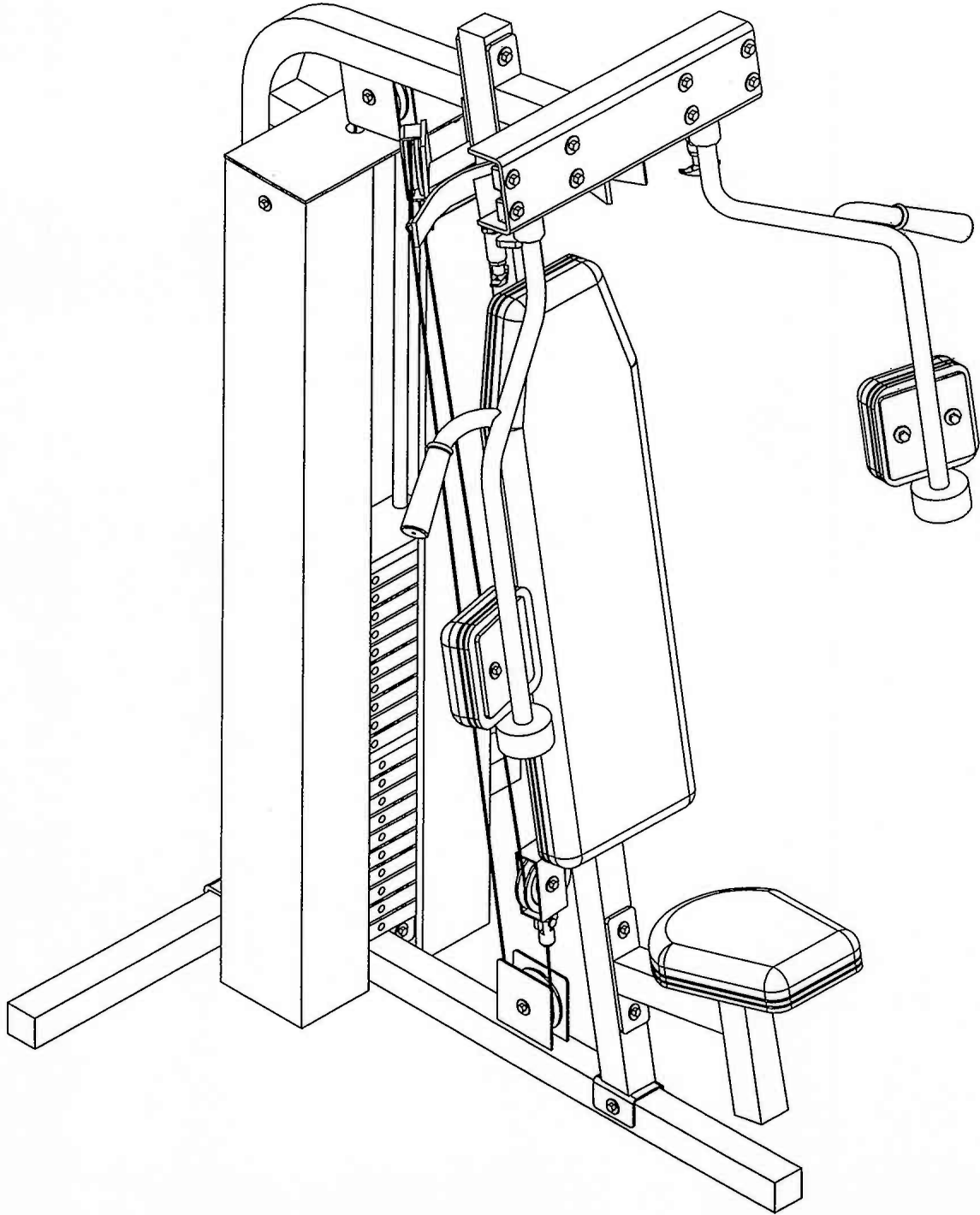


HOIST[®]
FITNESS SYSTEMS

S302

PECTORAL FLY

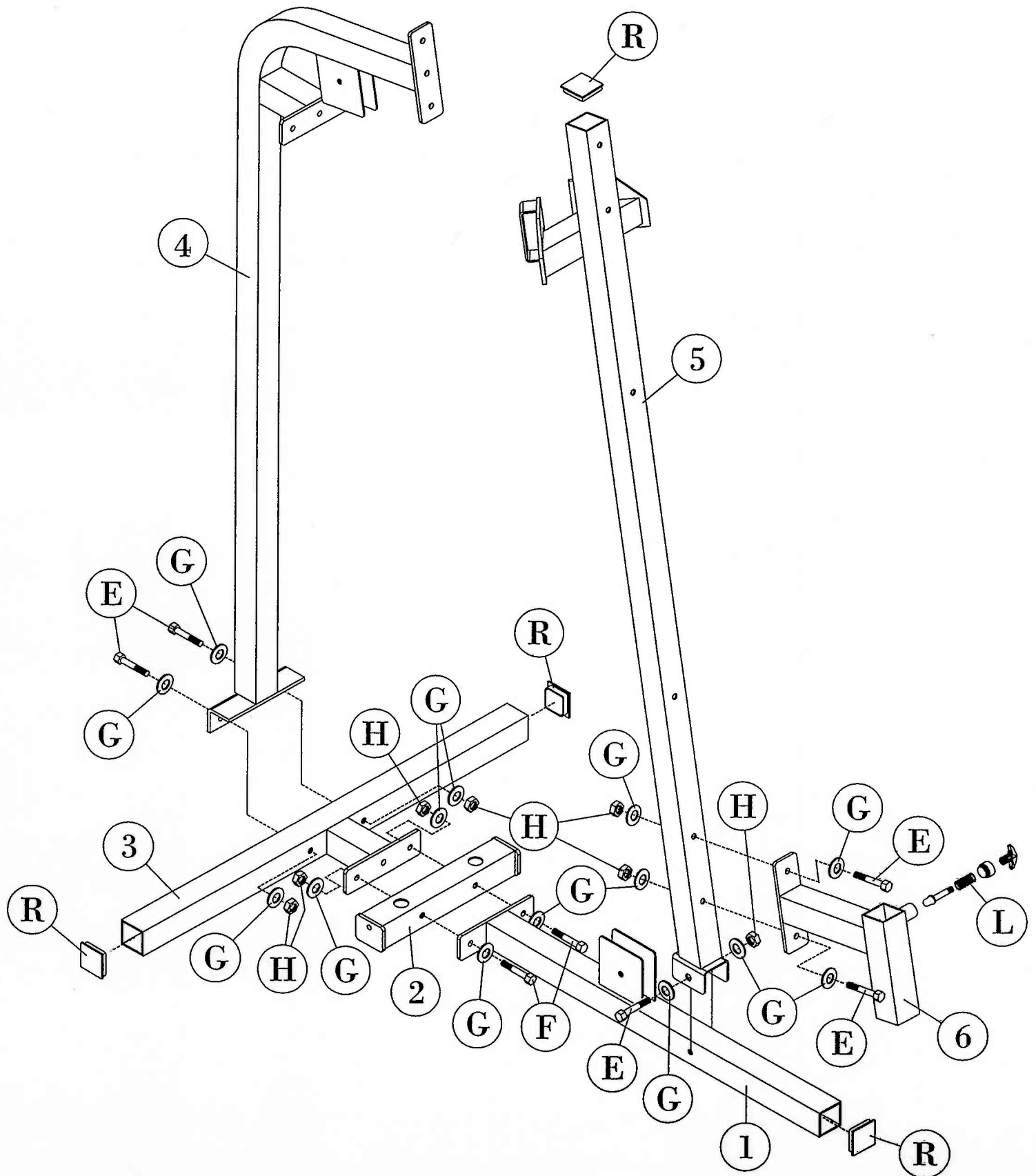


CUSTOMER CATALOG

October '95

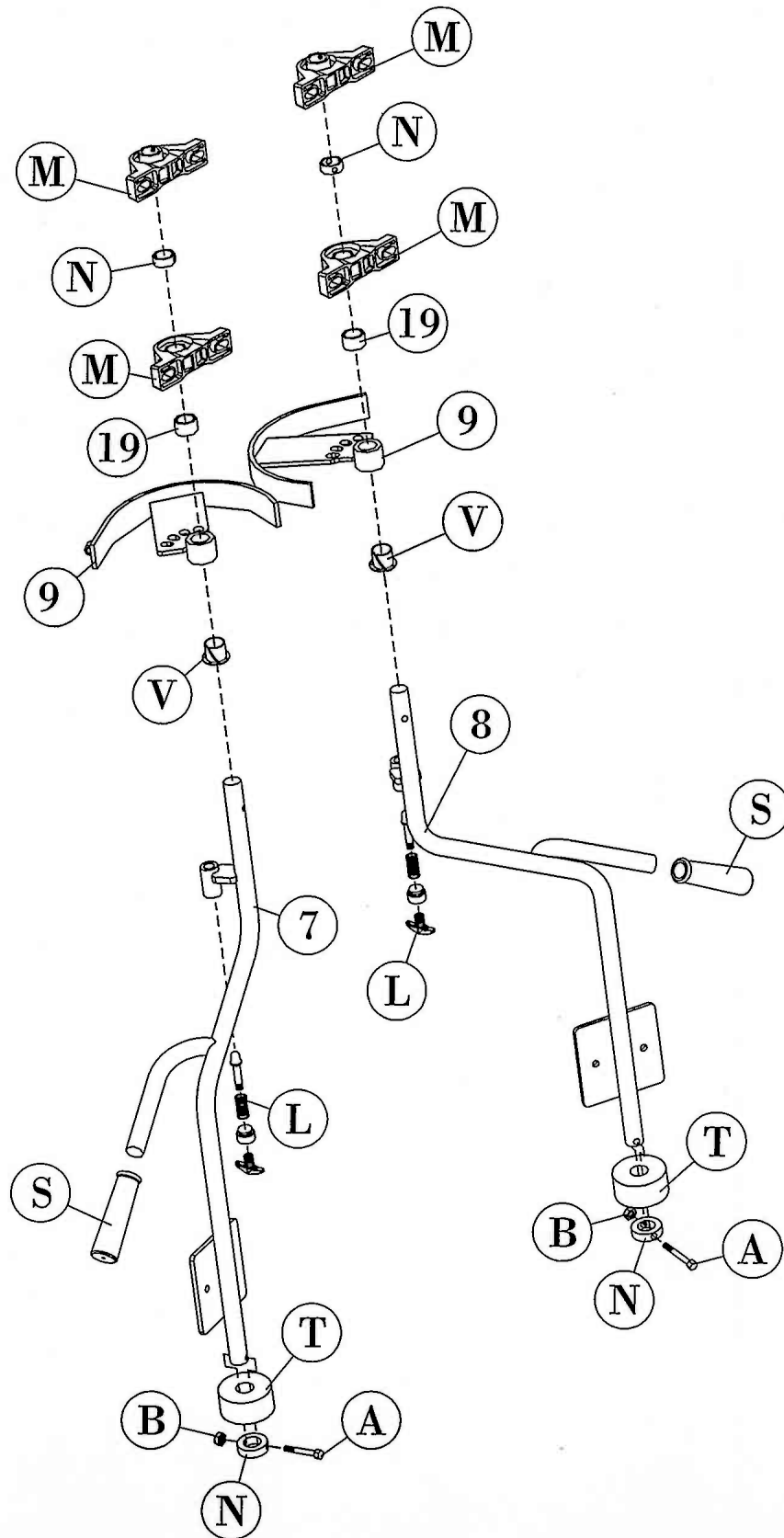
S302

PECTORAL FLY



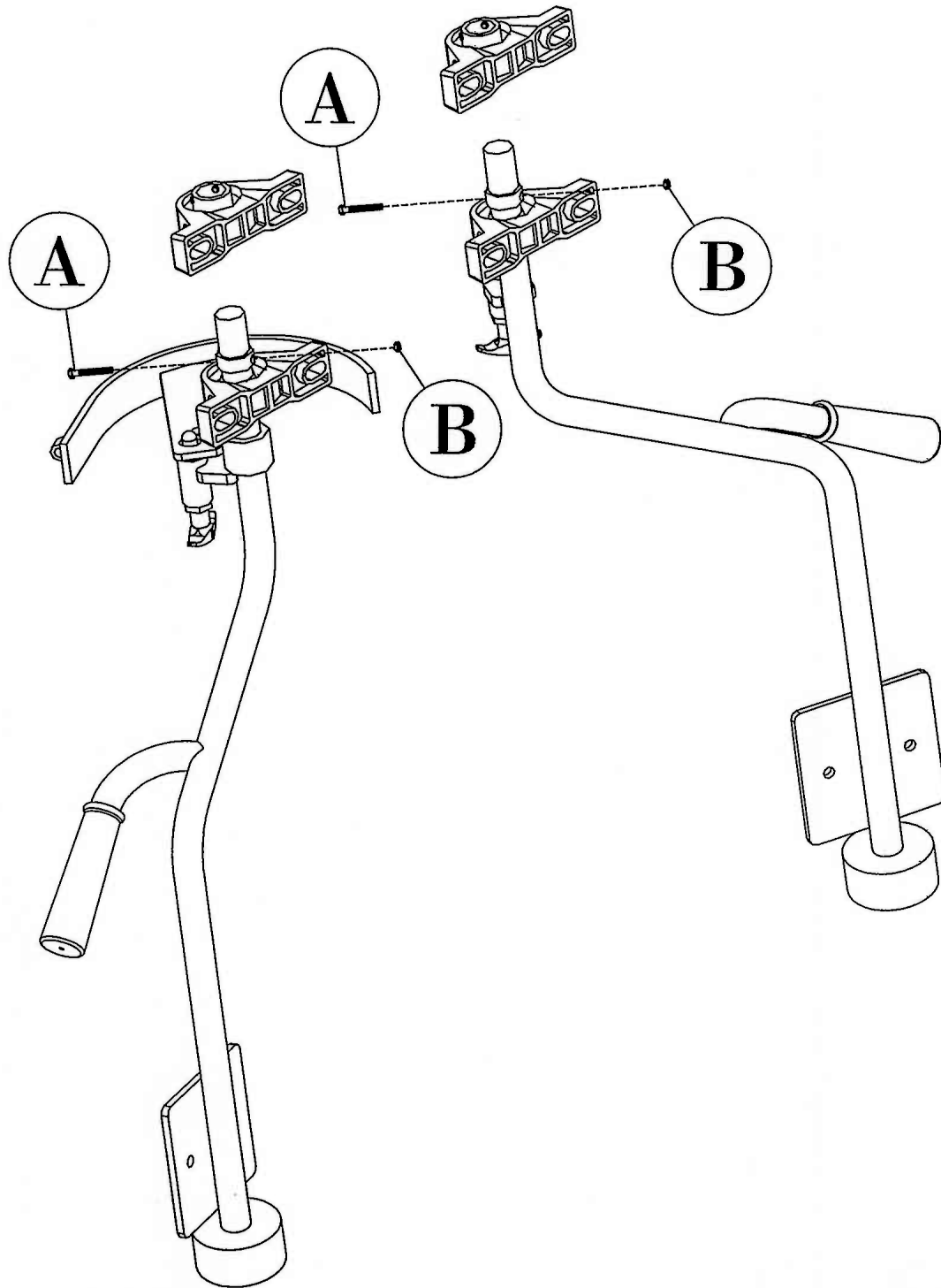
S302

PECTORAL FLY

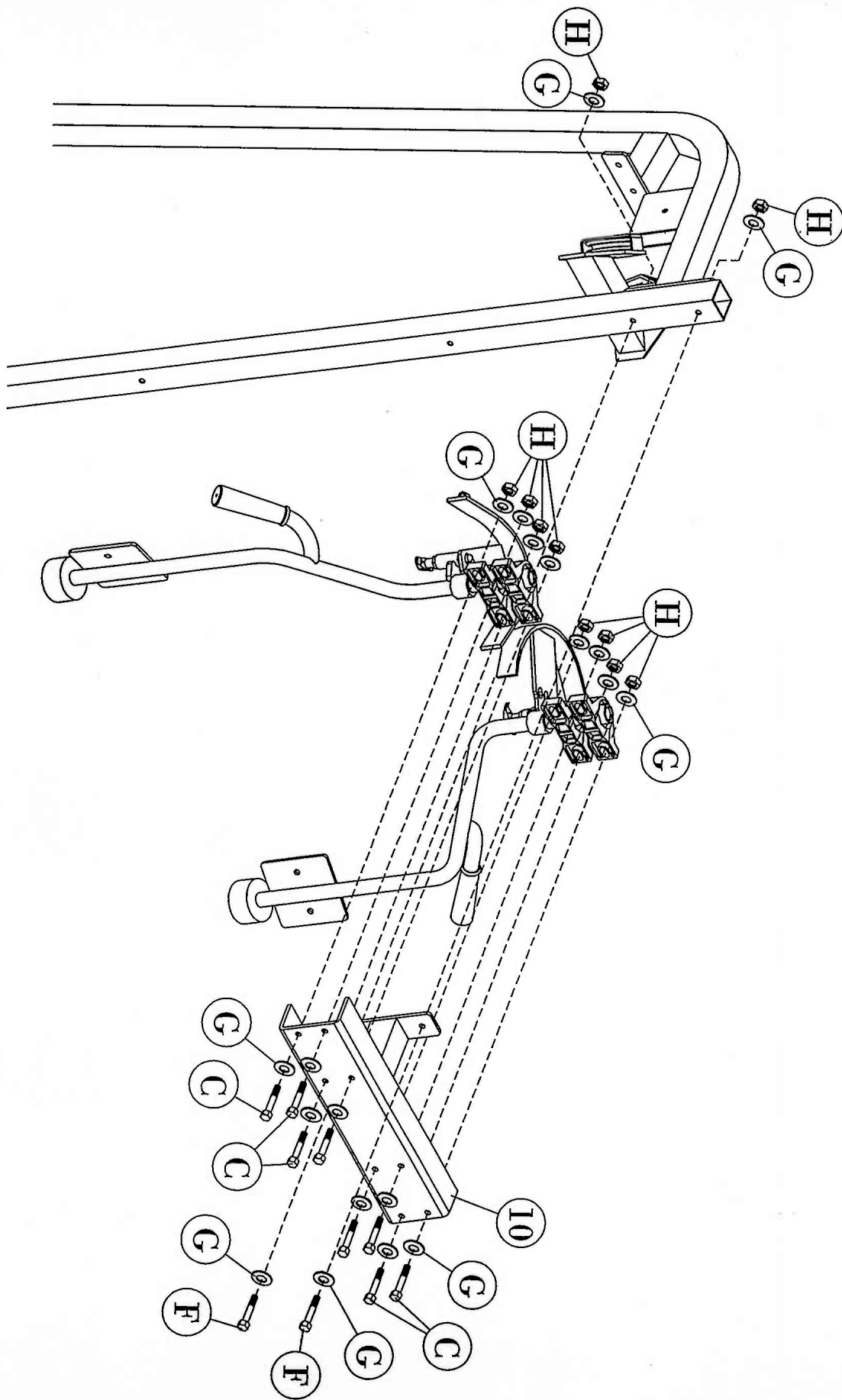


S302

PECTORAL FLY

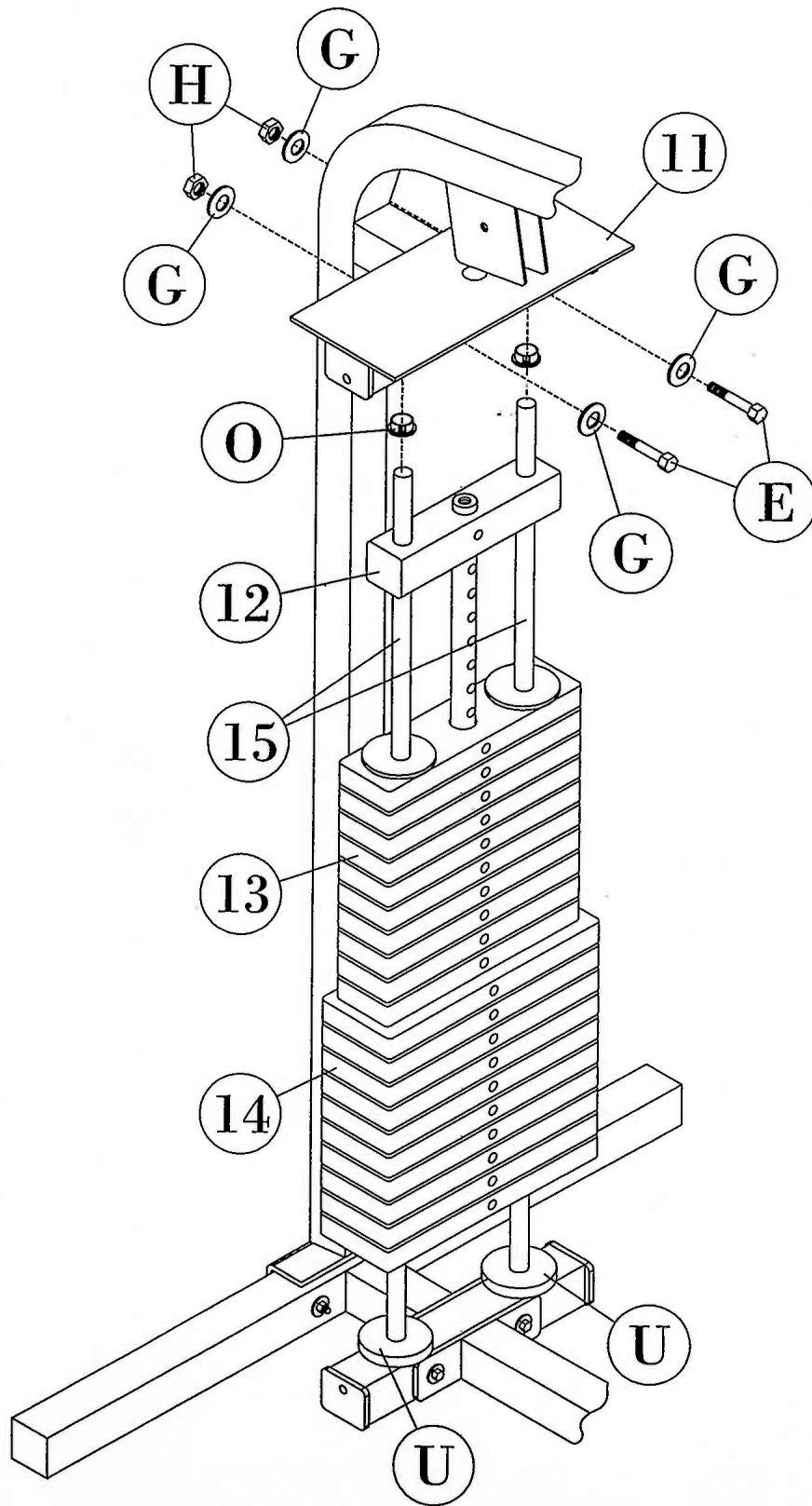


S302 PECTORAL FLY



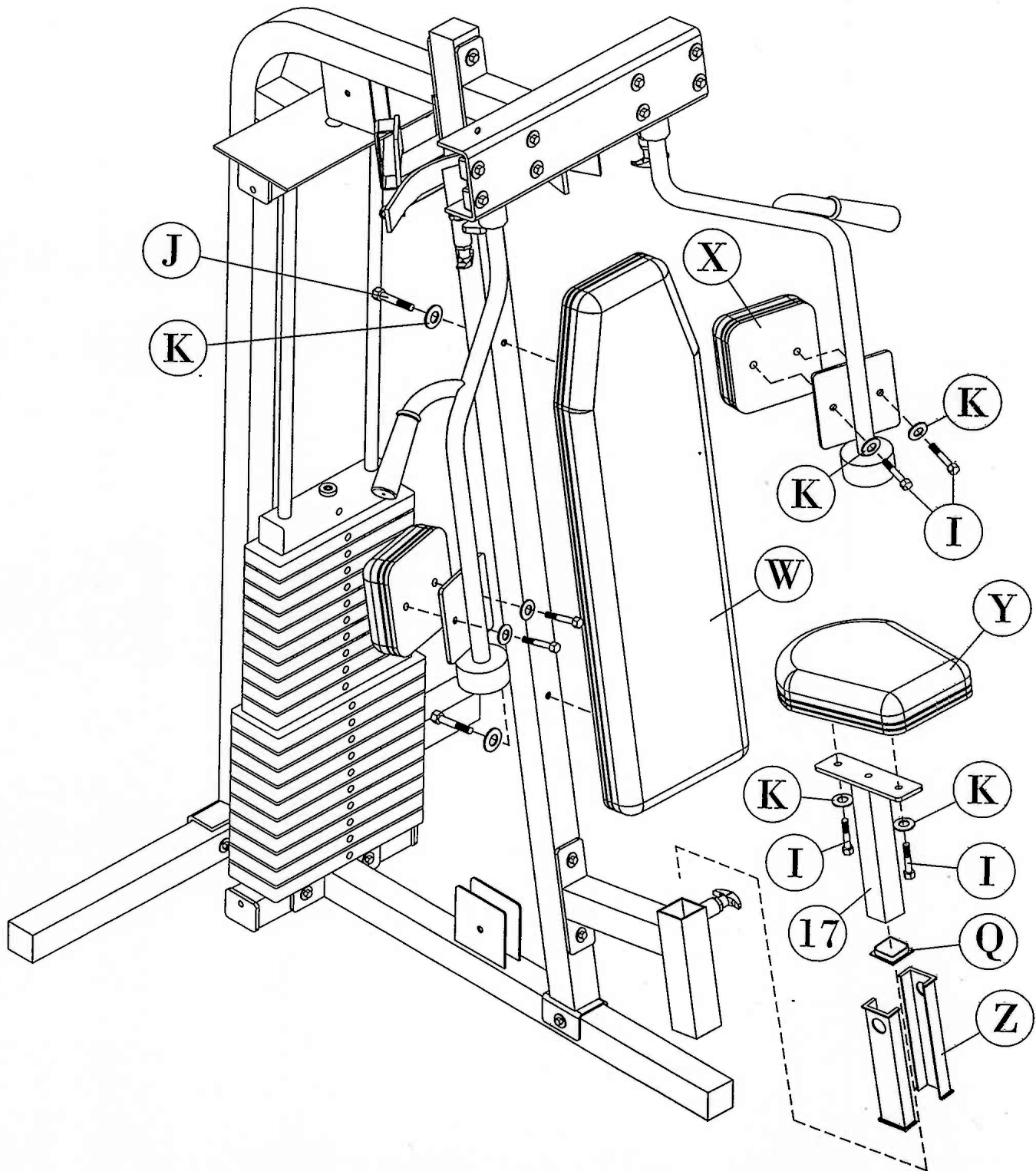
S302

PECTORAL FLY



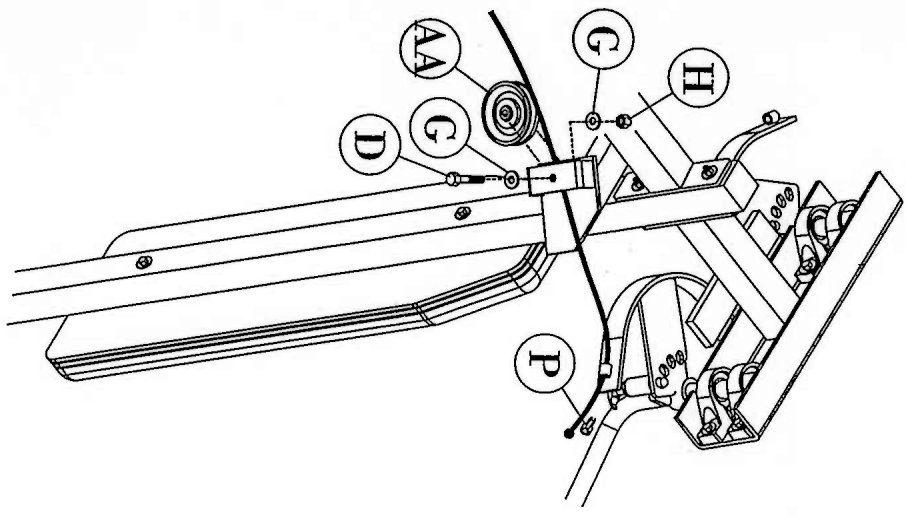
S302

PECTORAL FLY

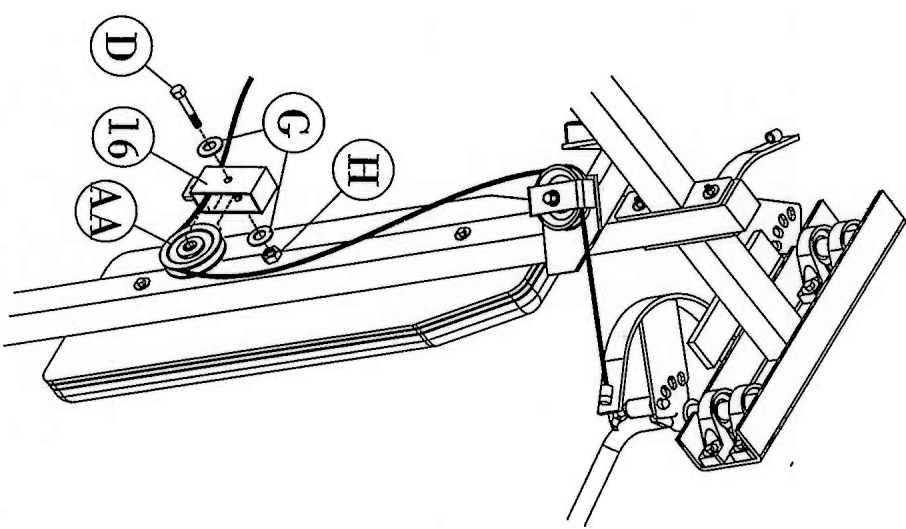


S302

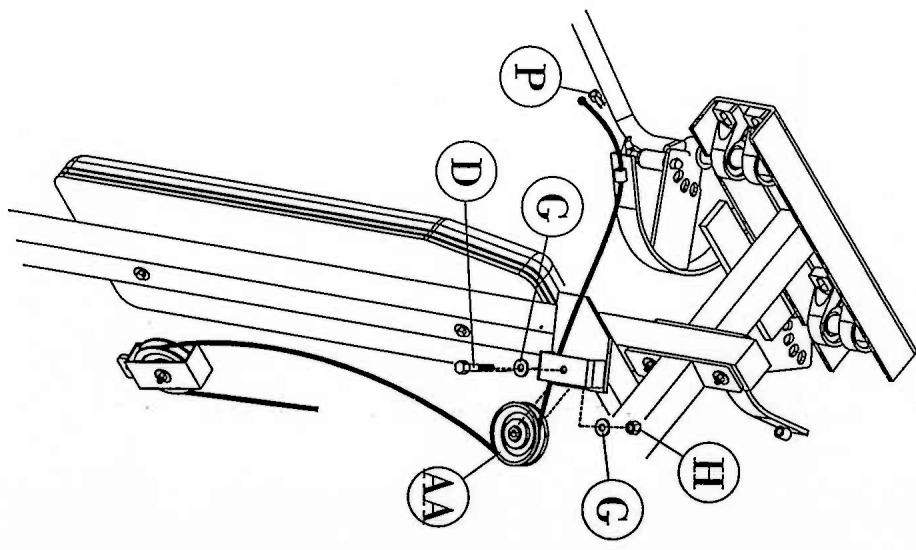
PECTORAL FLY



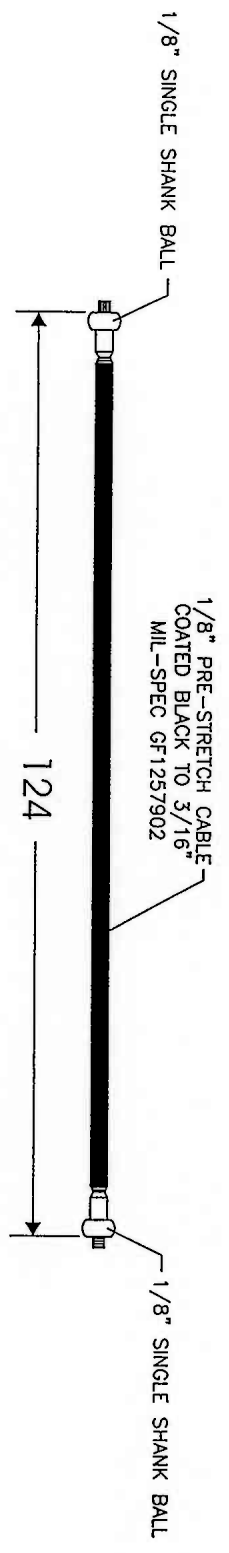
STEP 1



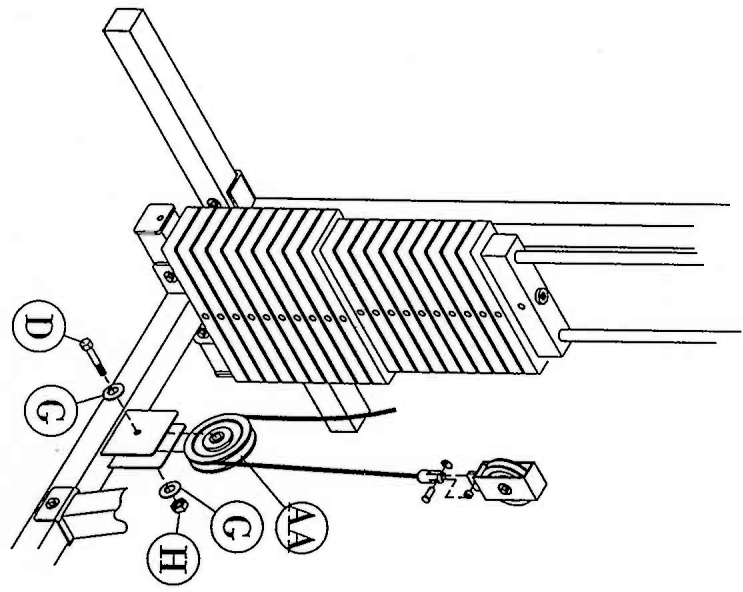
STEP 2



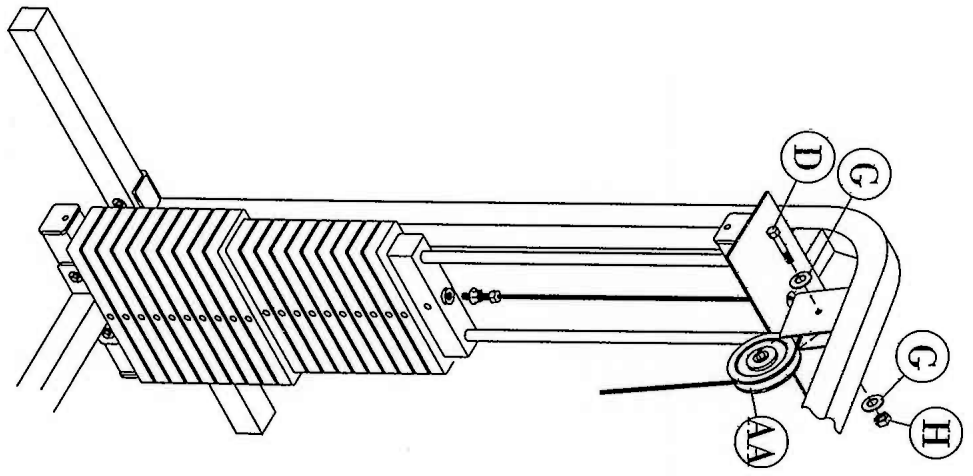
STEP 3



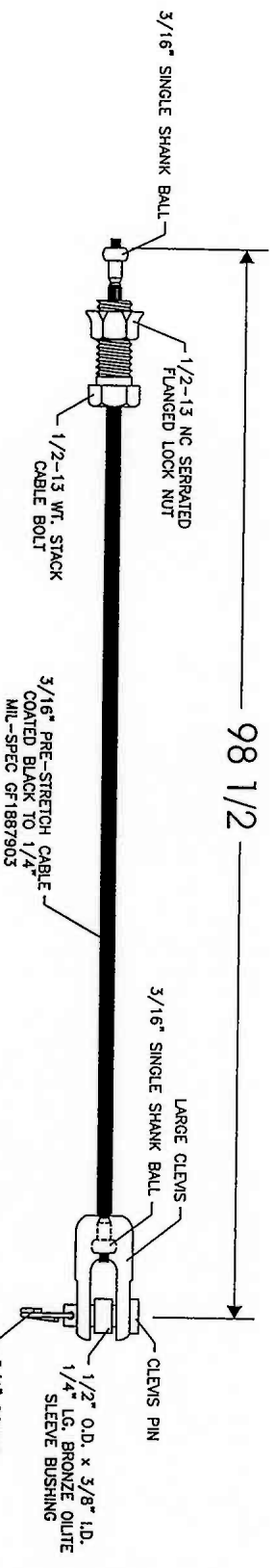
S302 PECTORAL FLY



STEP 4



STEP 5



3/16" SINGLE SHANK BALL

1/2-13 NC SERRATED
FLANGED LOCK NUT

1/2-13 WGT. STACK
CABLE BOLT

98 1/2

3/16" SINGLE SHANK BALL

LARGE CLEWMS

CLEWMS PIN

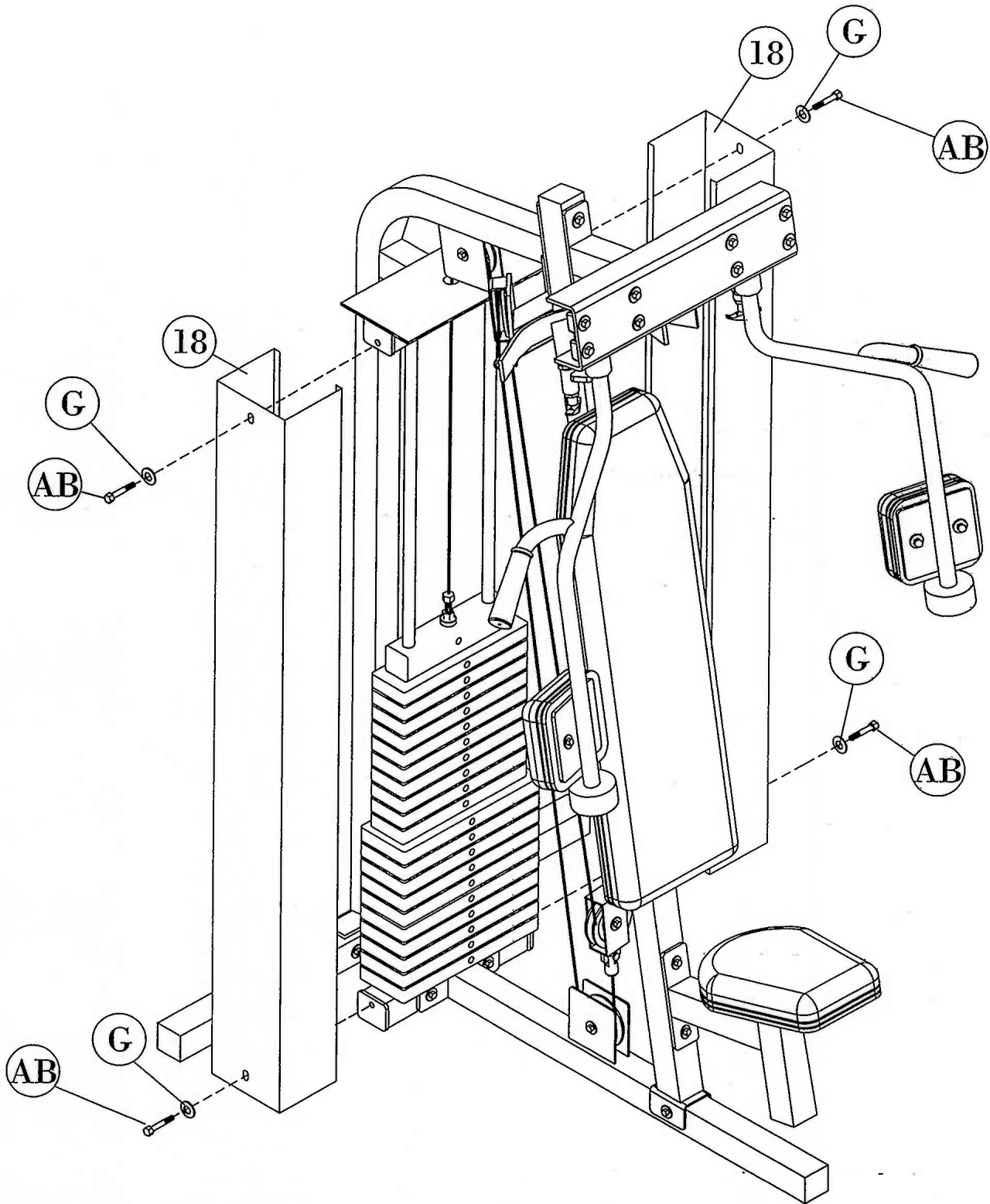
3/16" PRE-STRETCH CABLE
COATED BLACK TO 1/4"
MIL-SPEC CF1887903

3/4" ROUND
SPLIT RING

1/4" LG. BRONZE OLIVE
SLEEVE BUSHING

S302

PECTORAL FLY



3502 HARDWARE LIST

Key No.	Qty.	Part Number	Description
A	4	11-HEX-142	1/4" x 2" Hex Bolt
B	4	12-LOK-14	1/4" Lock Nut
C	8	11-HEX-38112	3/8" x 1 1/2" Hex Bolt
D	5	11-HEX-382	3/8" x 2" Hex Bolt
E	7	11-HEX-38234	3/8" x 2 3/4" Hex Bolt
F	4	11-HEX-383	3/8" x 3" Hex Bolt
G	50	13-FLT-38	3/8" Flat Washer
H	24	12-LOK-38	3/8" Lock Nut
I	6	11-HEX-516114	5/16" x 1 1/4" Hex Bolt
J	2	11-HEX-5163	5/16" x 3" Hex Bolt
K	8	13-FLT-516	5/16" Flat Washer
L	3	26-STD-SM128	1/2" Pull Pin (Short)
M	4	14-BRG-RAD1PILP	Pillow Block Bearing
N	4	14-SCC-1	1" Shaft Collar
O	2	14-BSH-GRD34	3/4" Guide Rod Snap Bushing
P	2	26-STD-SM200	Quick Release Cable Lock
Q	1	16-CAP-112112	1 1/2" x 1 1/2" End Cap
R	4	16-CAP-22	2" x 2" End Cap
S	2	19-GRP-78514T	Tapered Grip
T	2	19-WSB-1123	1 1/2" Rubber Donut
U	2	19-WSB-123	1/2" Rubber Donut
V	2	14-BRG-NYL1	Nyliner Bushing
W	1	26-STD-SU1034	10" x 34" Tapered Back Pad
X	2	26-STD-SU66	6" x 6" Arm Pad
Y	1	26-STD-SU911	Shell Seat Pad
Z	2	26-STD-PLAS112	Easy Glide Seat Sleeve
AA	5	18-PUL-312	3 1/2" Pulley
AB	4	11-HEX-381	3/8" x 1" Hex Bolt