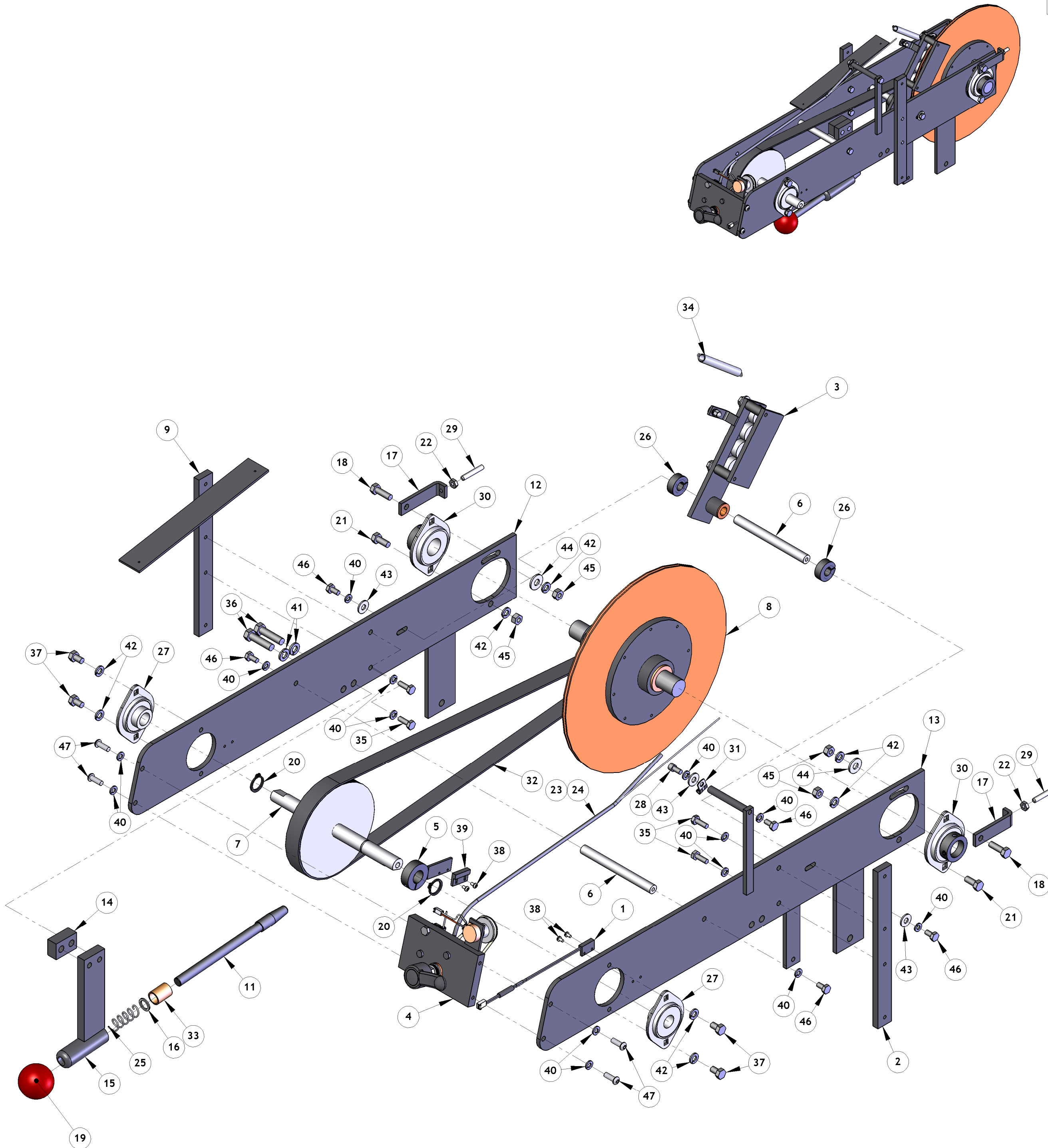


ECO #	REV	DESCRIPTION	DWN	CHK	DATE
-	-	INITIAL RELEASE	MD	-	6/03/2008



47	4	010780	SCW BUT SOC	1/4-20 x 3/4
46	5	010620	SCW HEX CAP	1/4-20 x 1/2
45	4	010292	NUT HEX	5/16/2018
44	2	010276	WASH FLT STL	5/16 USS
43	3	010272	WASH FLT STL	1/4 USS
42	8	010239	WASH LCK SPLT	5/16"
41	2	010238	WASH LCK SPLT	3/8"
40	14	010237	WASH LCK SPLT	1/4"
39	1	010217	MAGNET REED SW	HAMLIN 57135
38	4	010167	SCW PAN XRC	#6-32 x 1/4
37	4	010087	SCW HEX CAP	5/16-18 x 1/2
36	2	010057	SCW HEX CAP	3/8-16 x 1-1/2
35	4	010049	SCW HEX CAP	1/4-20 x 3/4
34	1	001733	SPRING EXTENSION	7/16 OD X 4-1/2 LG (106-CENTURY)
33	1	001732	BUSHING SLEEVE	5/8 ID x 3/4 OD x 1 LG (B-1012-8)
32	1	001348	BELT POLY V	10 GROOVE 54" LG (540J10)
31	1	001346	LOOP CLAMP	3/16 DIA. LOOP w/.257 HOLE (RUBBER COATED)
30	2	001324	1" BEARING	ASSEMBLY (BEARING & FLANGETTES)
29	2	001125	SCW SET SOC	1/4-20 x 1-1/2
28	1	001091	SCW SOC CAP	1/4-20 x 1/2
27	2	001046	3/4 BEARING	ASSEMBLY (BEARING & FLANGETTES)
26	2	001043	SHAFT COLLAR	1/2 ID x 1-1/8 OD x 13/32 SPLIT
25	1	000939	SPRING .047 WIRE	.531 ID x 5/8 OD x 1-7/8 LG
24	1	000810	CABLE SLEEVE	SEE MAIN ASSEMBLY
23	1	000809	CABLE	SEE MAIN ASSEMBLY
22	2	000696	NUT HEX	1/4/2020
21	2	000630	SCW HEX CAP	5/16-18 x 3/4
20	2	000438	SNAP RING EXT	3/4" EXTERNAL HEAVY
19	1	000191	PIN KNOB	1-7/8 RD x 1/2-13 UNC
18	2	000010	SCW HEX CAP	5/16-18 x 1
17	2	210-191	TENSION ADJUSTER	3/16" x 3/4" x 3 1/4" LG (A-36)
16	1	174-194	WASHER	3/4" DIA X 1/16" LG
15	1	174-193	ADJ. ARM	WELDMENT
14	1	174-192	SPACER BLOCK	5/8" x 1" x 1 1/2"
13	1	174-190	ADJ BEARING PLT RT	WELDMENT
12	1	174-185	ADJ BEARING PLT LFT	WELDMENT
11	1	174-181	PIN	5/8" RD x 8" LG
10	1	174-180	LP CLAMP SPACER	3/8" RD x 2 11/16" LG (A-36)
9	1	174-178	BATTERY MOUNT	WELDMENT
8	1	174-175	COPPER DISK	ASSEMBLY
7	1	174-170	INPUT SHAFT	WELDMENT
6	2	174-124	MAGNET ARM SHAFT	1/2" RD x 5 1/8" LG
5	1	174-117	REED MAG MNT	WELDMENT
4	1	174-111	RESISTANCE KNOB	ASSEMBLY
3	1	174-095	MAGNET ARM	ASSEMBLY
2	1	174-065	BODY MOUNT PLATE	3/8" x 1" x 10"
1	1	173-029	REED SWITCH	WIRING ASSEMBLY
ITEM QTY	PART #	DESCRIPTION	MATERIAL	

**HOGGAN**  
HEALTH INDUSTRIES  
www.hogganhealth.com

TOLERANCES (UNLESS OTHERWISE NOTED)  
FRACTIONS ±1/32  
TWO PLACE DECIMALS ±.03  
THREE PLACE DECIMALS ±.015  
BRAKE SHARP CORNERS .03 CH'F  
REMOVE ALL BURRS  
WELD SIZE 1/8

SURFACE TREATMENT  
BLANK

MATERIAL

BY	DATE	TITLE
MIKE D	6/3/2008	HEAD ASSEMBLY

DWN BY	MIKE D	6/3/2008
CHKD BY	-	-
APPD BY	-	-

SIZE	SCALE	REQ'D	DWG & PART #	REV
C	1:4	1	174-172	-