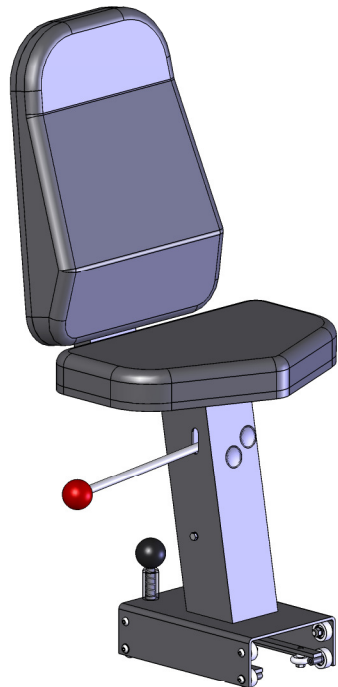
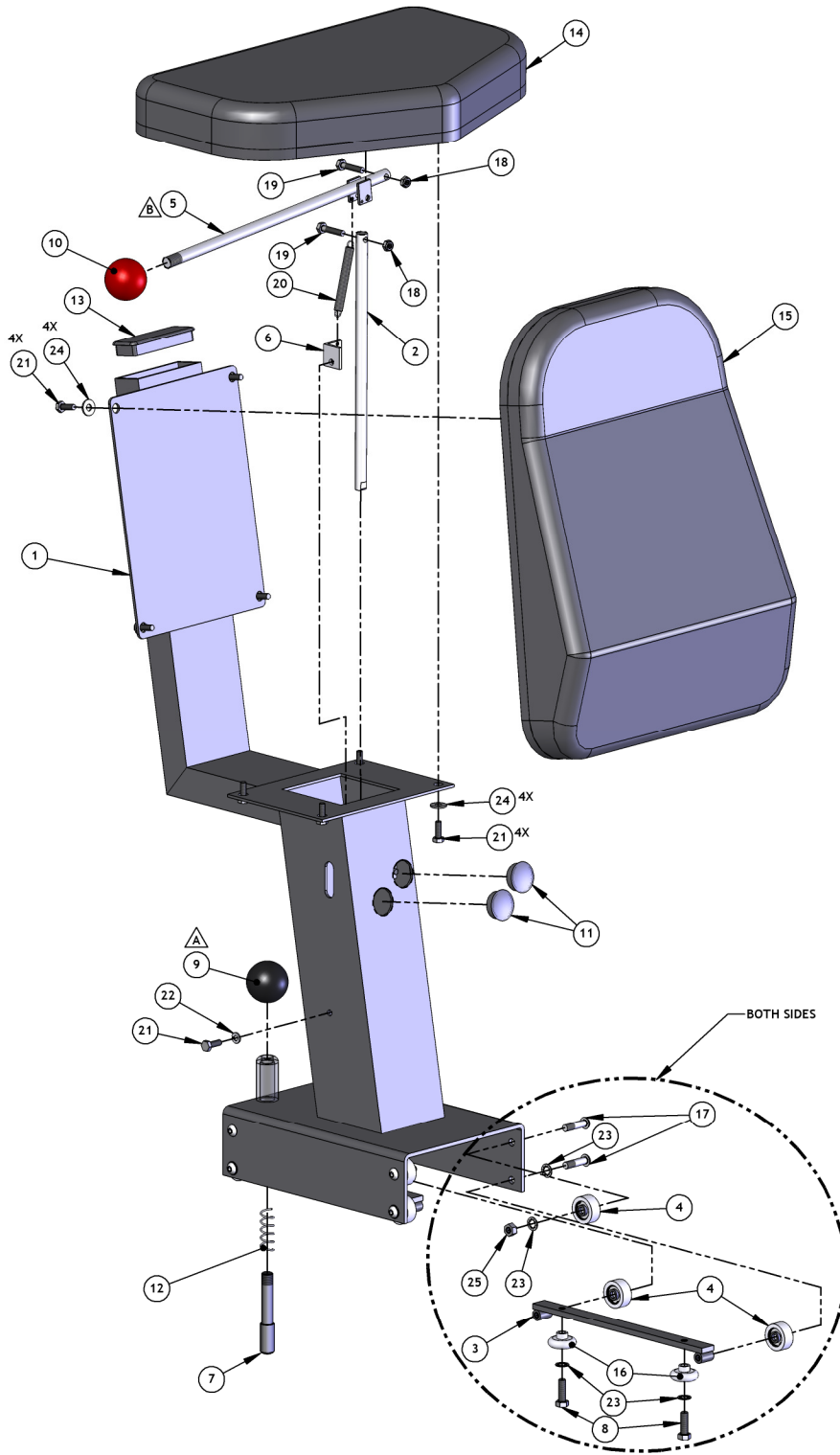


ECO #	REV	DESCRIPTION	DWN	CHK	DATE
-	-	INITIAL RELEASE	DP	-	5/4/05
-	A	CHANGE TO 1 RED KNOB & 1 BLACK	MD		6/11/2008
-	B	CHANGE SEAT LEVER FROM 174-015	MD		3/16/2011



25	4	010292	NUT HEX	5/16/2018
24	8	010272	WASH FLT STL	1/4 USS
23	12	010263	WASH LCK ITSR	5/16"
22	1	010237	WASH LCK SPLT	1/4"
21	9	010049	SCW HEX CAP	1/4-20 x 3/4
20	1	001135	SPRING	3/8 OD x 3-1/2 (E0360-037-3500-M)
19	3	001060	SCW HEX CAP	1/4-20 x 1-1/4
18	2	001059	NUT HEX	1/4-20 NYLOCK
17	8	001052	SCW BUT SOC	5/16-18 x 1-1/4
16	4	001050	WHEEL URETHANE	5/16 ID x 1-1/4 OD x 5/8
15	1	001037	BACK CUSHION	ASSEMBLY
14	1	001036	SEAT CUSHION	ASSEMBLY
13	1	000960	TUBE END CAP	1-1/2 x 4 PLASTIC
12	1	000939	SPRING .047 WIRE	.531 ID x 5/8 OD x 1-7/8 LG
11	2	000728	PLUG 1.25 HOLE	PLASTIC (MP 1250)
10	1	000191-001	PIN KNOB	1-7/8 RD x 1/2-13 UNC RED
9	1	000191-000	PIN KNOB	1-7/8 RD x 1/2-13 UNC BLACK
8	4	000010	SCW HEX CAP	5/16-18 x 1
7	1	3020-055	PIN	5/8" RD x 3 13/16" LG
6	1	145-048	SPRING ANCHOR	WELDMENT
5	1	145-035	SEAT LEVER	WELDMENT
4	8	174-146	WHEEL ASSEMBLY	ASSEMBLY
3	2	174-017	WHEEL SUPPORT	WELDMENT
2	1	174-014	SEAT PIN	1/2" x 11 7/8" LG (CFS 1018)
1	1	174-010	SEAT FRAME WLDMNT	WELDMENT
ITEM	QTY	PART #	DESCRIPTION	MATERIAL

		SURFACE TREATMENT		BLANK
		MATERIAL		ASSEMBLY
TOLERANCES (UNLESS OTHERWISE NOTED) FRACTIONS ±1/32 TWO PLACE DECIMALS ±.03 THREE PLACE DECIMALS ±.015 BRAKE SHARP CORNERS .03 CHF REMOVE ALL BLURS WELD SIZE 1/8	BY	DATE	TITLE	
	CHKD BY		SEAT ASSEMBLY	
	APPD BY			
SIZE	C	SCALE	1:4	REQD 1
DWG & PART #	174-145		REV	B