

**GZFM6024.4**

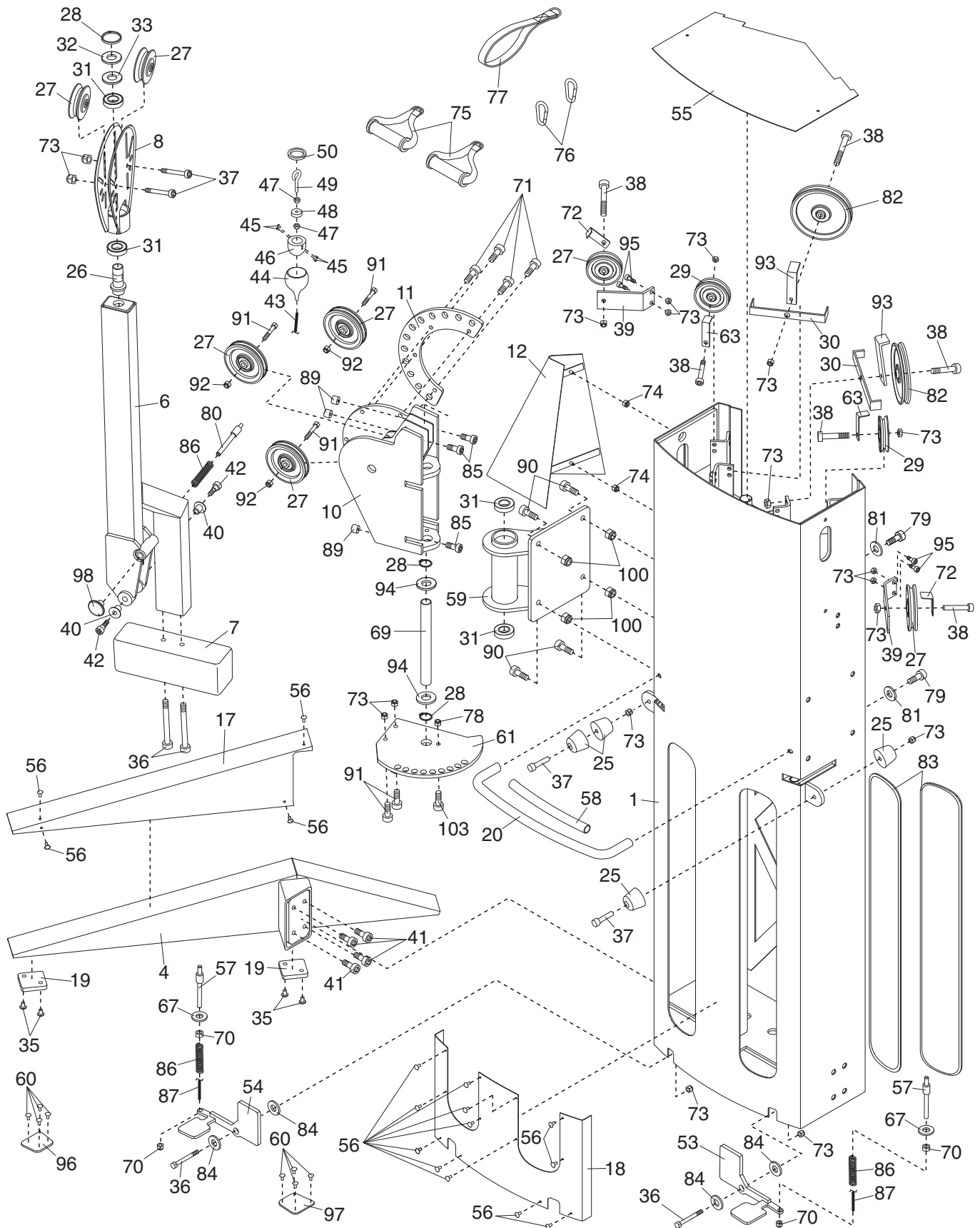
<b>Key</b>	<b>Part Number</b>	<b>Description</b>	<b>Qty</b>
	0	FM DUAL CABLE CROSS	0
	0	??/? SMITHFIELD	0
	0	COMPANY 14	0
	0	0	0
1	GZ5471	TOWER,WLDMNT,GZFM6024	1
2	GZ4549-02	CVR,LARGE BACK,ASSY	1
3	GZ4340	LEG,RT,WLDMNT	1
4	GZ4341	LEG,LT,WLDMNT	1
5	GZ4337	WLDMNT,ARM,RT	1
6	GZ4336	WLDMNT,ARM,LT	1
7	GZ9606	WT,COUNTERWEIGHT,LINE-X	2
8	GZ4331	WLDMNT,PULY,PIVOT,DBL	2
9	GZ5524	WLDMNT,PIVOT,ARM,RT	1
10	GZ5523	WLDMNT,PIVOT,ARM,LT	1
11	GZ30440	PLATE,SELCTR,PLATED	2
12	GZ30420	CVR,CABLE,DBL,LT,STS, TX	1
13	GZ30598	WT,CAST,ELL,BLK,10LB	58
14	GZ5463	WLDMNT,SLCTR,DCC,PLTD	2
15	GZ4392	WT,TOP-ASSY,10LB	2
16	GZ3203-02	CVR,LEG,RT, TXTR	1
17	GZ3203-01	CVR,LEG,LT, TXTR	1
18	GZ30419	CVR,FACE,DBL,STNLS	1
19	GZ1517	ASSY,FOOT,MOLDED,W/INSRT	4
20	GZ3116	BAR,BALLET,RAW	1
21	GZ3248-01	GUIDE,ROD,WT	4
22	GZ1678	SPRNG,.75"IDX2"ODX1.5"	4
23	GZ1193	BUMPER,WEIGHT,STACK	2
24	GZ1020	BSHG,TOP WT,GUIDE	4
25	GZ1111	BUMPER,STOP,LARGE	4
26	GZ3053	AXLE,TRUNION SHAFT	2
27	GZ1003-09	PULY,1"X3.50",FOR	12
28	GZ1018-01	RETNR,RING,EXT,1"	6
29	GZ1003-01	PULY,4.5",W/BSHG 3/8"	6
30	GZ3950	BKT,CABLE,TRAP,LG,DBL	2
31	GZ1011-01	BRNG,1",6205-2RS-1	8
32	GZ1050	WSHR,.03 STEEL,NICKEL	2
33	GZ1049	WSHR,WAVE,ZP,1"	2
34	GZ1657	PIN,TETHER,BENT,DUAL	2
35	GZ1012-07	SCREW,SBHS,GR8,ZP,3/8-16X	8
36	GZ1013-11	SCREW,SHCS,ZP,3/8-16X4.5"	6
37	GZ1013-02	SCREW,SHCS,ZP,3/8-16X1.75	10
38	GZ1013-04	SCREW,SHCS,ZP,3/8-16X2"	10
39	GZ30458	MNT,BKT,PULLY,SIDE	2
40	GZ1485	BUSHING,IGUS,MFI-1214-06	4
41	GZ1009-03	SCREW,SHCS,ZP,1/2-13X1.25	8
42	GZ1042-02	SCREW,SHLDR,ZP,3/4X.5"	4
43	GZ5020-31	ASSY,CABLE,DUAL	2
44	GZ1062	CVR,CABLE COUPLER,RBR,BLK	2
45	GZ1047	SCREW,SET,SCKT	8
46	GZ3238	HANDLE,STRAP,COUPLER	2
47	GZ1075	NUT,JAM,ZP,3/8-16	4
48	GZ1011-02	BRNG,1/2"	2
49	GZ1070	BOLT,EYEBOLT,ZP,3/8-16X1"	2
50	GZ1018-03	RETNR,RING,INT,1 1/8	2
51	GZ1418	NUT,JAM,HEX,ZP,1-14UNF	2
52	GZ1431	WSHR,FLAT,ZP,SAE,1"X2"OD	2
53	GZ5476	WLDMNT,FOOT,RT	1
54	GZ5475	WLDMNT,FOOT,LT	1
55	GZ30464	CVR,TOWER,DCC,RAW	1

56	GZ1021-01	RIVET,POP,STNLS,1/8X3/16L	20
57	GZ1601	PIN,POP,LONG,TAPERED	2
58	GZ1086-02	GRIP,EEZER,20"	1
59	GZ4383	WLDMNT,BRNG,PIVOT,LT	2
60	GZ1021-02	RIVET,POP,SS,1/8X1/2,LG	8
61	GZ2328	SELCR,HORIZ,L,PLT	1
62	GZ2327	SELCT,HORIZ,R,PLT	1
63	GZ3102	BKT,L,SIDE PULY GRD	2
64	GZ30421	CVR,CABLE,DBL,RT,STS,TX	1
65	GZ4345	WLDMNT,WT-SLCTR,PULLEY	2
66	GZ30443	BKT,TOP-WT,PULLY,MACH	2
67	GZ1069	WSHR,LOCK,ZP,SERATED,3/8"	1
68	GZ1391-01	BUSHING,WEIGHT,BLK	118
69	GZ1604	AXLE,PIVOT,1"X10"	2
70	GZ1083	NUT,HEX,JAM,ZP,3/8-24	8
71	GZ1012-01	SCREW,SBHS,GR8,ZP,3/8-16X	8
72	GZ30429	BKT,L,SM	2
73	GZ1007	NUT,HEX,LOCKING,ZP,3/8-16	26
74	GZ1094	NUT,NYL LOCK,ZP,1/4-20	4
75	GZ5109-08	HANDLE,STRAP,21",W/LOOP	2
76	GZ1080	CLIP,SPRING,7	2
77	GZ5109-15	HANDLE,STRAP,ANKLE	1
78	133945	NUT,HX,NYL	2
79	GZ1013-01	SCREW,SHCS,NYL	2
80	GZ5527	PIN,POP,LONG	2
81	GZ1074	WSHR,PLAIN,5/16"	2
82	GZ1003-06	PULLEY,6",W/BSHG	2
83	GZ1504	TRIM,EDGE,BLK,IM7702-1000	2
84	160409	BSHG,MTL,.39X.64	4
85	GZ1015-05	SCRW,SCHS,5/16-18X5/8",ZP	6
86	GZ1677	SPRING	4
87	GZ5020-32	ASSY,CBL,PEDAL,DUAL	2
88	GZ3091	GRD,CABLE TRAP,DBL	4
89	GZ1100	BUMPER,STOP	6
90	GZ1880	SCREW,SHCS,ZP,1/2-13X1.5"NOPCH	8
91	GZ1188	SCREW,SBHS,3/8-16X1.5",ZP	10
92	GZ1075	NUT,JAM,ZP,3/8-16	6
93	GZ3949	BKT,L,LG	2
94	GZ1052	WSHR,FLAT,NYL,.062X1"DIA	4
95	GZ1013-12	SCREW,SHCS,ZP,3/8-16X1.25	4
96	GZ30507	PLATE,TREAD,FOOT,LT	1
97	GZ30527	PLATE,TREAD,FOOT,RT	1
98	GZ3350	KNOB,SELECTOR,PIN	2
99	GZ1419	WASHER,STAR,ZP,1"	2
100	GZ1109	NUT,HEX,NYL	8
101	GZ1084	NUT,HEX,JAM,ZP,5/8-18	8
102	GZ1085	WSHR,LOCK,SPLIT,ZP,5/8"	8
103	GZ1012-12	SCREW,SBHS,3/8-16X1.25,ZP	2
		NON-ILLUSTRATED PARTS	
		<b>WHAT PART IS NEEDED?</b>	
#	GZ7379	USERS MANUAL	1
#	GZ7379FR	USERS MANUAL	1
#	GZ7379G	USERS MANUAL	1
#	GZ7379IT	USERS MANUAL	1
#	GZ7379SP	USERS MANUAL	1
		<b>WHAT PART IS NEEDED?</b>	
#	GZ7003	DECAL, WARNING	1
#	GZ7003FR	DECAL, WARNING	1
#	GZ7003G	DECAL, WARNING	1
#	GZ7003IT	DECAL, WARNING	1
#	GZ7003SP	DECAL, WARNING	1
		<b>WHAT PART IS NEEDED?</b>	

#	GZ7004	INTERNAL WARNING DECAL	1
#	GZ7004FR	INTERNAL WARNING DECAL	1
#	GZ7004G	INTERNAL WARNING DECAL	1
#	GZ7004IT	INTERNAL WARNING DECAL	1
#	GZ7004SP	INTERNAL WARNING DECAL	1
		<b>WHAT PART IS NEEDED?</b>	
#	GZ7005	DECAL, MOVING PARTS	1
#	GZ7005FR	DECAL, MOVING PARTS	1
#	GZ7005G	DECAL, MOVING PARTS	1
#	GZ7005IT	DECAL, MOVING PARTS	1
#	GZ7005SP	DECAL, MOVING PARTS	1
		<b>WHAT PART IS NEEDED?</b>	
#	GZ7006	DECAL, CAUTION	2
#	GZ7006FR	DECAL, CAUTION	2
#	GZ7006G	DECAL, CAUTION	2
#	GZ7006IT	DECAL, CAUTION	2
#	GZ7006SP	DECAL, CAUTION	2
#	GZ7008	DECAL, WARNING, PINCH PT	2
#	220015	DECAL, WARNING, FOOT PEDAL	2
		<b>WHAT PART IS NEEDED?</b>	
#	GZ7026	DECAL, SELECTOR PIN INSERT	1
#	GZ7026FR	DECAL, SELECTOR PIN INSERT	1
#	GZ7026G	DECAL, SELECTOR PIN INSERT	1
#	GZ7026IT	DECAL, SELECTOR PIN INSERT	1
#	GZ7026SP	DECAL, SELECTOR PIN INSERT	1
#	217233	DECAL, PLACARD	1

# EXPLODED DRAWING A—Model No. GZFM6024.4

R0506A



# EXPLODED DRAWING B—Model No. GZFM6024.4

R0506A

