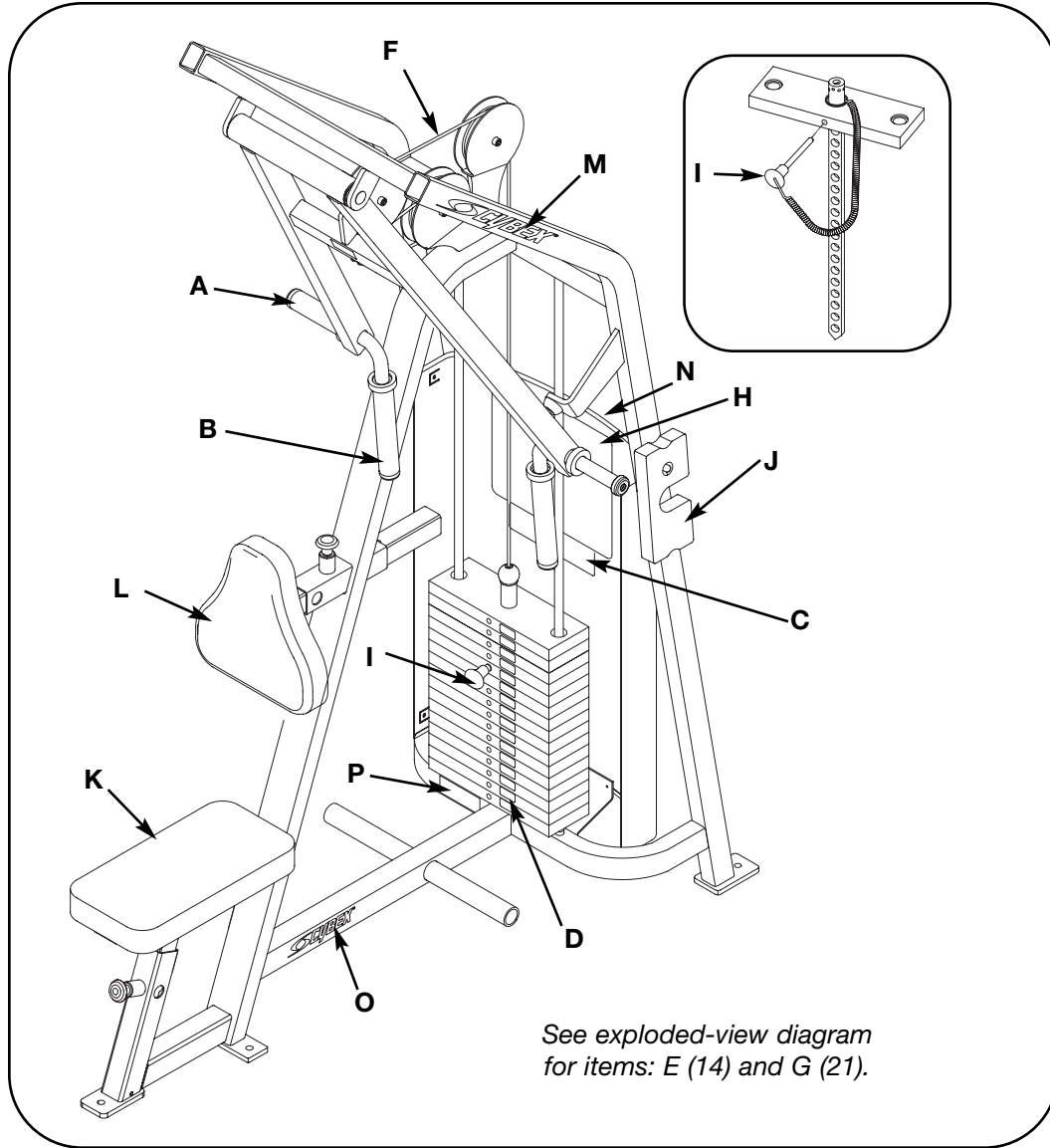


ROW/REAR DELT

PRODUCT NO. 4815



See exploded-view diagram for items: E (14) and G (21).

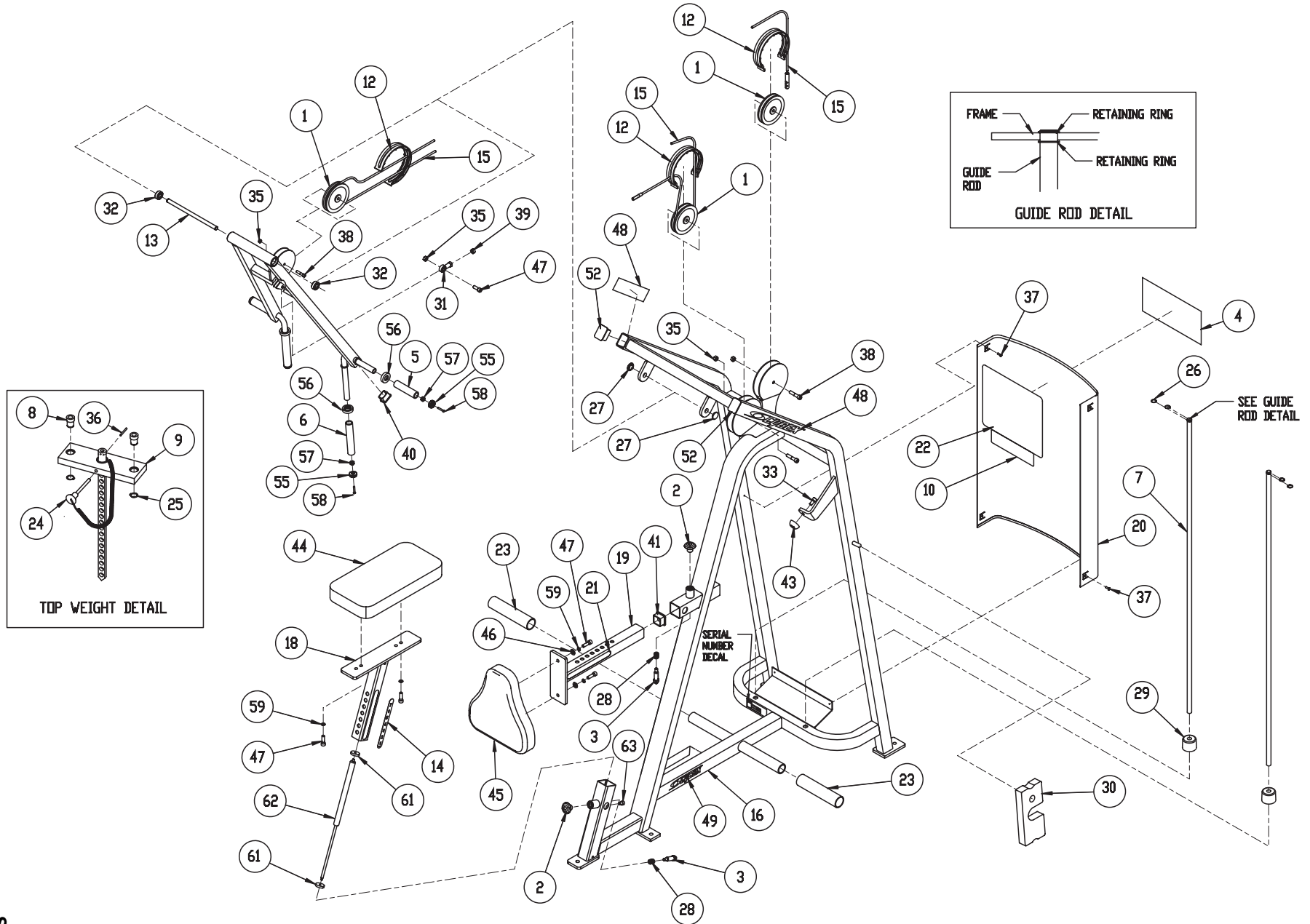
DESCRIPTION	PART NO.	DESCRIPTION	PART NO.
A. Grip	4605-504	K. Seat Cushion	4800-021
B. Grip	4605-506	L. Chest Cushion	4800-026
C. Warning Decal	4800-381	M. Cybex Decal Black	3900-443
D. Weight Plate Decal	4800-554	M. Cybex Decal Silver	3900-444
E. Seat Adjusting Decal.....	4805-316	N. Cybex Decal Black	3900-441
F. Weight Stack Cable.....	4815-002	N. Cybex Decal Silver	3900-442
G. Adjusting Decal	4815-318	O. Cybex Decal Black	3900-445
H. Placard Decal.....	4815-598	O. Cybex Decal Silver	3900-446
I. Weight Selector Pin	BH030207	P. Serial Number Decal	
J. Half Weight	C-Z000200		

4815 - Row/Rear Delt

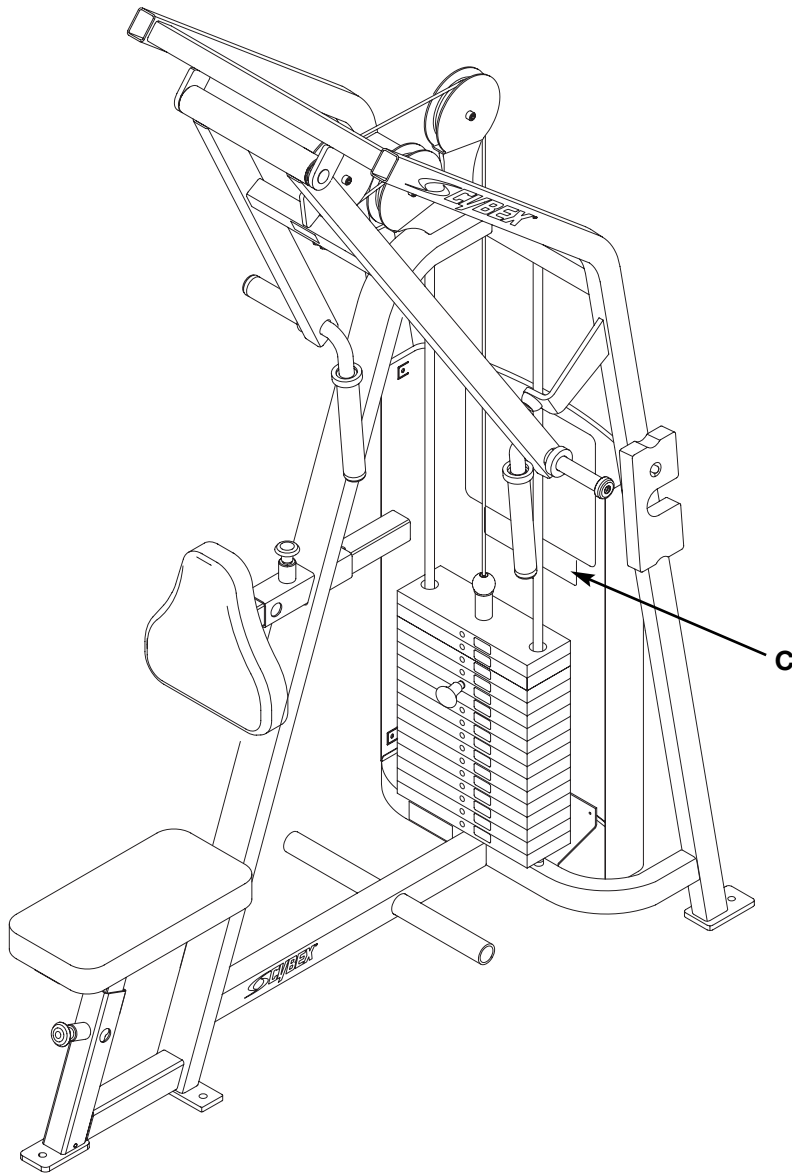
ITEM	QTY	PART NO.	DESCRIPTION
1	3	08014	Pulley Assembly 4.50
2	2	11040-440	Cybex Knob
3	2	08229	Detent Pin
4	1	3900-441	Cybex Decal 8.50 Vert. Black
4	1	3900-442	Cybex Decal 8.50 Vert. Silver
5	2	4605-504	Grip
6	2	4605-506	Grip
7	2	4505-319	Weight Stack Guide Rod
8	2	4700-019	Flange Bearing .62 x .92 x 1.50 L
9	1	4800-251	Top Weight 16-4 x 12
10	1	4800-381	Warning Decal
11	1	4800-554	Weight Plate Decal (25-200) (Not Shown)
12	3	4800-570	Cable Guard
13	1	4800-580	Pivot Shaft
14	1	4805-316	Seat Adjusting Decal
15	1	4815-002	Weight Stack Cable
16	1	4815-200	Frame
17	1	4815-201	Arm
18	1	4815-202	Seat Post
19	1	4815-203	Chest Post
20	1	4800-709	Weight Stack Guard
21	1	4815-318	Adjusting Decal
22	1	4815-598	Placard Decal
23	2	5345-319	Rubber Grip 7.75
24	1	BH030207	Weight Selector Pin
25	2	BR030206	Retaining Ring
26	4	BR030214	Retaining Ring .625
27	2	BR110203	Internal Retainer Cap 17 mm
28	2	BS070201	Com Spring .56 x .66 x 1.50 L
29	2	PR060005	Weight Bumper
30	1	C-ZA000200	Half Weight 4 x 12
31	1	FB030213	Rod End Bearing (Female) .375-24

ITEM	QTY	PART NO.	DESCRIPTION
32	2	FB030232	Radial Bearing 17 mm ID (Ext Race)
33	1	HC702815	SHCS .375-16 x .750
35	4	HN704901	Nylon Locknut .375-16
36	1	HP286819	Spiral Pin .188 x 1.12
37	4	HT102214	Tap Screw #10-12 x .625 A (Phil)
38	3	JC702824	SHCS .375-16 x 1.75
39	1	JN714400	Jam Nut .375-24
40	2	PP090000	Plastic Insert 1.50 x 2.00 x 11 G
41	2	PP090200	Plastic Insert 1.75 Sq x 11 G
43	1	4505-331	Half Sphere Bumper
44	1	4800-021	Seat Cushion
45	1	4800-019	Chest Cushion
46	2	HS347600	Washer SAE .375
47	5	JC702820	SHCS .375-16 x 1.25
48	2	3900-443	Cybex Decal - 1.57 Horiz. Black
48	2	3900-444	Cybex Decal - 1.57 Horiz. Silver
49	2	3900-445	Cybex Decal - 1.00 Horiz. Black
49	2	3900-446	Cybex Decal - 1.00 Horiz. Silver
51	1	4800-382	VR Weight Stack Instructions (Not Shown)
52	2	PP090202	Plastic Insert 1.50 x 3.00 x 11 G
53	15	4005C062	Weight Plate 4 x 12 (Not Shown)
54	1	4000-328	Foot Glide Removal Instructions (Not Shown)
55	4	11090-374	End Cap
56	4	11090-376	Handle Grip Ring
57	4	HF449063	Connector Input
58	4	JC620422	BHSCS .250-20 x 1.50
59	4	JS347400	Internal Tooth Lockwasher .375
60	1	51198	Strength Warranty Sheet (Not Shown)
61	2	4816-339	Threaded Plug
62	1	EZ000202	Gas Spring
63	1	HC702810	SHCS .375-16 x .375
64	1	4800-555	Weight Plate Decal (162.5-250) (Not Shown)

4815 - Row/Rear Delt



Row/Rear Delt - 4815



DESCRIPTION	PART NO.
C. Warning Decal	4800-381