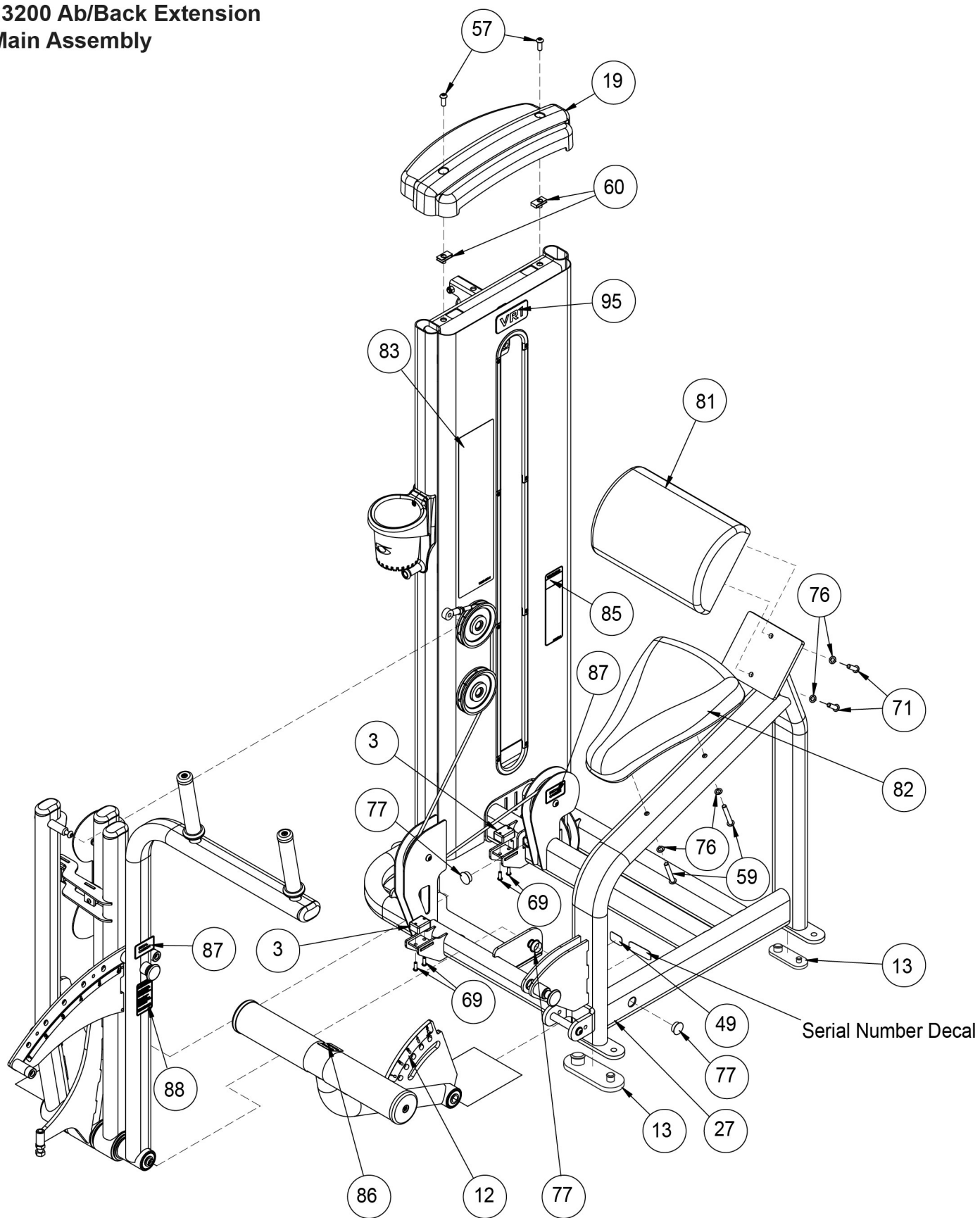


13200 Ab/Back Extension Main Assembly

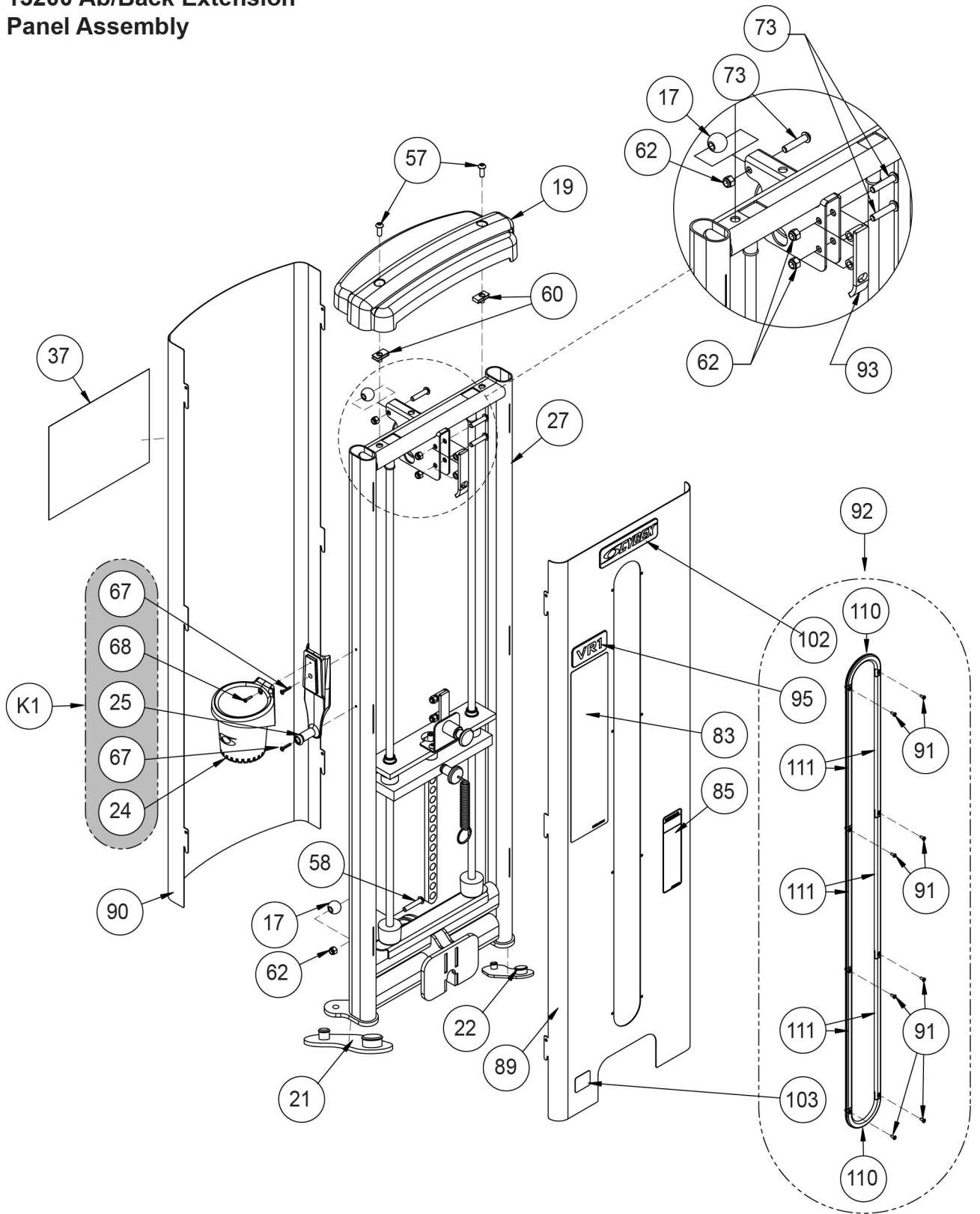


<u>Bulb Number</u>	<u>Part Number</u>	<u>Description</u>	
3	11000-384	BLOCK, STOP	
12	12090-312	DECAL FOOT REST	
13	12090-322	FOOT PAD	
19	13000-342	MOLDED TOP CAP	
27	13200-200	MAIN FRAME	
49	CM000211	DECAL, PATENT PENDING	
57	HC700417	BHSCS .375-16 X 1.00	
59	HC700430	BHSCS .375-16 X 2.50	
60	HF700000	PANEL FASTNER, .375-16 , U TYPE	
69	JC620415	BHSCS .250-20 X .75	
71	JC700420	BHSCS .375-16 X 1.25	
76	JS347400	LOCKWASHER, INT TOOTH .375	
77	PN660200	INSERT, PLASTIC	
81	4800-127	BACK PAD	
82	4800-170	CUSHION MOLDED	
83	13200-598-1	AB/BACK PLACARD	GERMAN
83	13200-598-2	AB/BACK PLACARD	FRENCH
83	13200-598-3	AB/BACK PLACARD	SPANISH
83	13200-598-4	AB/BACK PLACARD	ENGLISH
83	13200-598-6	AB/BACK PLACARD	JAPANESE
83	13200-598-7	AB/BACK PLACARD	SWEDISH
83	13200-598-8	AB/BACK PLACARD	RUSSIAN
83	13200-598-A	AB/BACK PLACARD	DANISH
83	13200-598-D	AB/BACK PLACARD	DUTCH
85	4605-381-1	DECAL, WARNING	GERMAN
85	4605-381-2	DECAL, WARNING	FRENCH

85	4605-381-3	DECAL, WARNING	SPANISH
85	4605-381-4	DECAL, WARNING	ENGLISH
85	4605-381-6	DECAL, WARNING	JAPANESE
85	4605-381-7	DECAL, WARNING	SWEDISH
85	4605-381-8	DECAL, WARNING	RUSSIAN
85	4605-381-A	DECAL, WARNING	DANISH
85	4605-381-D	DECAL, WARNING	DUTCH
86	4510-321-1	CAUTION DECAL	GERMAN
86	4510-321-2	CAUTION DECAL	FRENCH
86	4510-321-3	CAUTION DECAL	SPANISH
86	4510-321-4	CAUTION DECAL	ENGLISH
86	4510-321-6	CAUTION DECAL	JAPANESE
86	4510-321-7	CAUTION DECAL	SWEDISH
86	4510-321-8	CAUTION DECAL	RUSSIAN
86	4510-321-A	CAUTION DECAL	DANISH
86	4510-321-D	CAUTION DECAL	DUTCH
87	4000Y316-1	DECAL, CAUTION	GERMAN
87	4000Y316-2	DECAL, CAUTION	FRENCH
87	4000Y316-3	DECAL, CAUTION	SPANISH
87	4000Y316-4	DECAL, CAUTION	ENGLISH
87	4000Y316-6	DECAL, CAUTION	JAPANESE
87	4000Y316-7	DECAL, CAUTION	SWEDISH
87	4000Y316-8	DECAL, CAUTION	RUSSIAN
87	4000Y316-A	DECAL, CAUTION	DANISH
87	4000Y316-D	DECAL, CAUTION	DUTCH
88	8500-311-1	DECAL, WARNING	GERMAN

88	8500-311-2	DECAL, WARNING	FRENCH
88	8500-311-3	DECAL, WARNING	SPANISH
88	8500-311-4	DECAL, WARNING	ENGLISH
88	8500-311-6	DECAL, WARNING	JAPANESE
88	8500-311-7	DECAL, WARNING	SWEDISH
88	8500-311-8	DECAL, WARNING	RUSSIAN
88	8500-311-A	DECAL, WARNING	DANISH
88	8500-311-D	DECAL, WARNING	DUTCH
95	13000-399	VR PLAQUE	

13200 Ab/Back Extension Panel Assembly

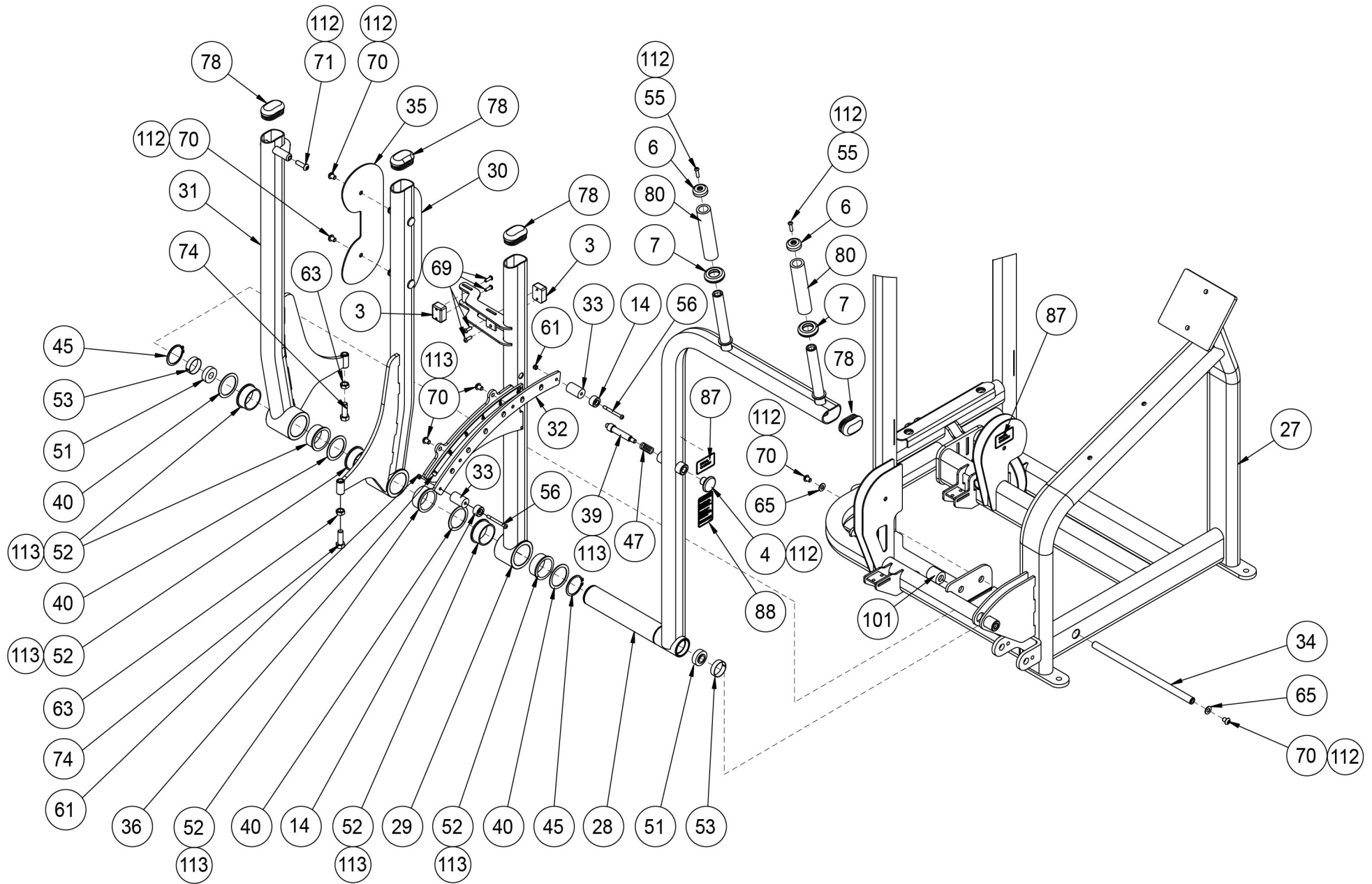


<u>Bulb Number</u>	<u>Part Number</u>	<u>Description</u>	
17	13000-322	ROLLER	
19	13000-342	MOLDED TOP CAP	
21	13000-354	FOOT PAD	
22	13000-355	FOOT PAD	
24	13000-400	WATER BOTTLE HOLDER	
25	13000-403	MOUNT, WATER BOTTLE HOLDER	
27	13200-200	MAIN FRAME	
37	3900-441	DECAL, CYBEX, BLACK	
37	3900-442	DECAL, CYBEX, SILVER	
57	HC700417	BHSCS .375-16 X 1.00	
58	HC700426	BHSCS .375-16 X 2.00	
60	HF700000	PANEL FASTNER, .375-16 , U TYPE	
62	HN704901	LOCKNUT, .375-16 NYLON	
67	HT512517	TAP SC 10-24 X 1.00 TYPE WB PN HD PHIL BLK	
68	HT552515	TAP SC NO. 8-16 X? .75 PLASTITE PN HD PHIL BLK	
73	JC700424	BHSCS .375-16 X 1.75	
83	13200-598-1	AB/BACK PLACARD	GERMAN
83	13200-598-2	AB/BACK PLACARD	FRENCH
83	13200-598-3	AB/BACK PLACARD	SPANISH
83	13200-598-4	AB/BACK PLACARD	ENGLISH
83	13200-598-6	AB/BACK PLACARD	JAPANESE
83	13200-598-7	AB/BACK PLACARD	SWEDISH
83	13200-598-8	AB/BACK PLACARD	RUSSIAN
83	13200-598-A	AB/BACK PLACARD	DANISH
83	13200-598-D	AB/BACK PLACARD	DUTCH

85	4605-381-1	DECAL, WARNING	GERMAN
85	4605-381-2	DECAL, WARNING	FRENCH
85	4605-381-3	DECAL, WARNING	SPANISH
85	4605-381-4	DECAL, WARNING	ENGLISH
85	4605-381-6	DECAL, WARNING	JAPANESE
85	4605-381-7	DECAL, WARNING	SWEDISH
85	4605-381-8	DECAL, WARNING	RUSSIAN
85	4605-381-A	DECAL, WARNING	DANISH
85	4605-381-D	DECAL, WARNING	DUTCH
89	13000-343-90	FRONT PANEL	Platinum Sparkle
89	13000-343-91	FRONT PANEL	Textured White
89	13000-343-92	FRONT PANEL	Silver Vein
89	13000-343-95	FRONT PANEL	Black Chrome
89	13000-343-97	FRONT PANEL	Textured Black
89	13000-343-98	FRONT PANEL	Custom Paint
89	13000-343-99	FRONT PANEL	Metal Tone Gold
90	13000-346-90	BACK PANEL	Platinum Sparkle
90	13000-346-91	BACK PANEL	Textured White
90	13000-346-92	BACK PANEL	Silver Vein
90	13000-346-95	BACK PANEL	Black Chrome
90	13000-346-97	BACK PANEL	Textured Black
90	13000-346-98	BACK PANEL	Custom Paint
90	13000-346-99	BACK PANEL	Metal Tone Gold
91	HT552511	SCREW, TAP 8-16 x .38 PLASTITE BLACK	
92	13000-100	EDGE TRIM	
93	13000-208	P/ LATCH	

95	13000-399	VR PLAQUE
102	13000-398	DECAL, CYBEX
103	11040-790	DECAL. MADE IN USA
110	13000-344	TRIM, CURVED
111	13000-345	TRIM, STRAIGHT
K1	13000K003	KIT, WATER BOTTLE HOLDER

13200 Ab/Back Extension Pivot Arm Assembly

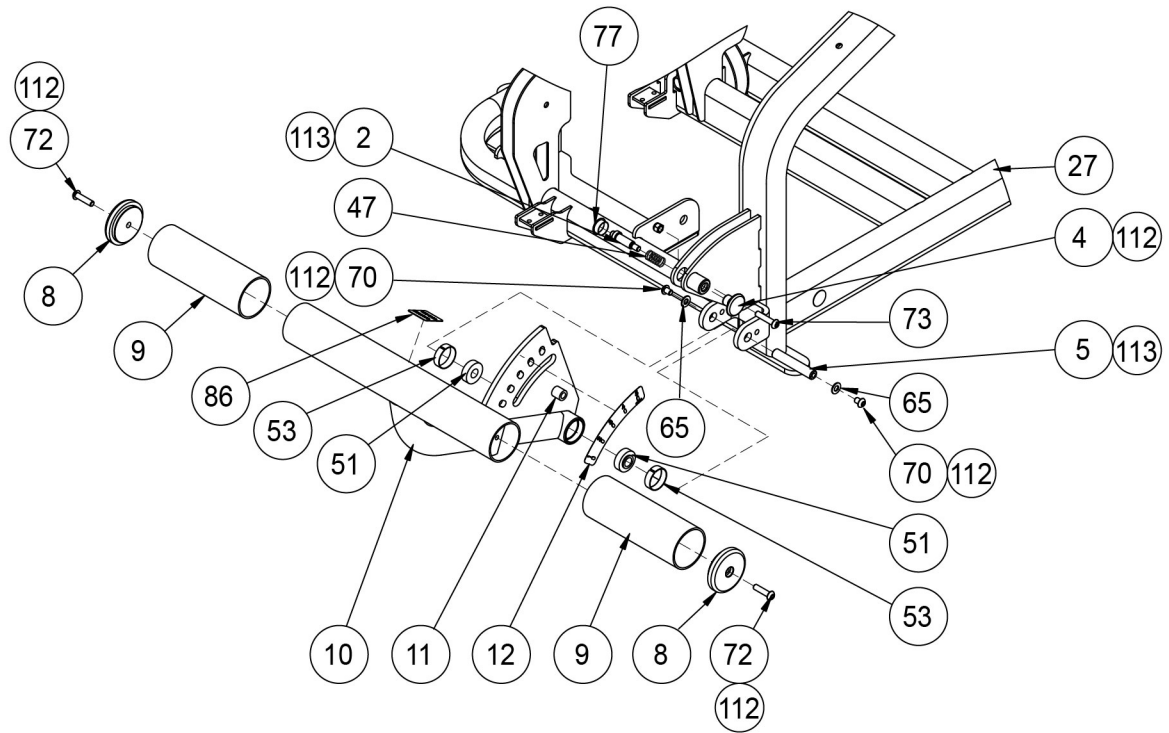


<u>Bulb Number</u>	<u>Part Number</u>	<u>Description</u>
3	11000-384	BLOCK, STOP
4	11040-440	KNOB
6	11090-374	END CAP
7	11090-376	RING, HANDLE GRIP
14	12100-303	BUMPER
27	13200-200	MAIN FRAME
28	13200-203	INPUT HANDLE
29	13200-204	DETENT ARM
30	13200-205	INPUT ARM
31	13200-206	INPUT ARM
32	13200-340	DETENT PLATE
33	13200-341	SPACER
34	13200-342	SHAFT, PIVOT
35	13200-370	GUARD PLATE
36	13200-372	DECAL, ADJUSTING
39	4713-318	PIN,DETENT
40	4715-336	WASHER
45	BR030213	RETAINING RING, 2.00 EXTERNAL
47	BS070201	COM SPRING .56 x .66 1.50 LG
51	FB030232	BEARING, RADIAL 17 mm EXTENDED RACE
52	FB130206	BEARING, FLANGE 2.00 ID. x 2.25 OD. x 1.00 LG
53	FC030006	TOLERANCE RING 1.575 ID
55	HC620417	BHSCS .250-20 X 1.00
56	HC620430	BHSCS .250-20 X 2.50
61	HN625200	LOCKNUT .250-20 NYLON HVY

63	HN784400	JAM NUT .500-13	
65	HS347600	WASHER, SAE .375	
69	JC620415	BHSCS .250-20 X .75	
70	JC700412	BHSCS .375-16 X .50	
71	JC700420	BHSCS .375-16 X 1.25	
74	JC781222	HHCS .500-13 X 1.50	
78	PP130003	INSERT, DOMED PLASTIC	
80	4605-520	GRAB GRIP 6.25	
87	4000Y316-1	DECAL, CAUTION	GERMAN
87	4000Y316-2	DECAL, CAUTION	FRENCH
87	4000Y316-3	DECAL, CAUTION	SPANISH
87	4000Y316-4	DECAL, CAUTION	ENGLISH
87	4000Y316-6	DECAL, CAUTION	JAPANESE
87	4000Y316-7	DECAL, CAUTION	SWEDISH
87	4000Y316-8	DECAL, CAUTION	RUSSIAN
87	4000Y316-A	DECAL, CAUTION	DANISH
87	4000Y316-D	DECAL, CAUTION	DUTCH
88	8500-311-1	DECAL, WARNING	GERMAN
88	8500-311-2	DECAL, WARNING	FRENCH
88	8500-311-3	DECAL, WARNING	SPANISH
88	8500-311-4	DECAL, WARNING	ENGLISH
88	8500-311-6	DECAL, WARNING	JAPANESE
88	8500-311-7	DECAL, WARNING	SWEDISH
88	8500-311-8	DECAL, WARNING	RUSSIAN
88	8500-311-A	DECAL, WARNING	DANISH
88	8500-311-D	DECAL, WARNING	DUTCH

101	630A-346	GRIP
112	YA000201	LOCTITE .02 OZ #242, BLUE
113	YG000002	PLEASE USE WHITE LITHIUM GREASE

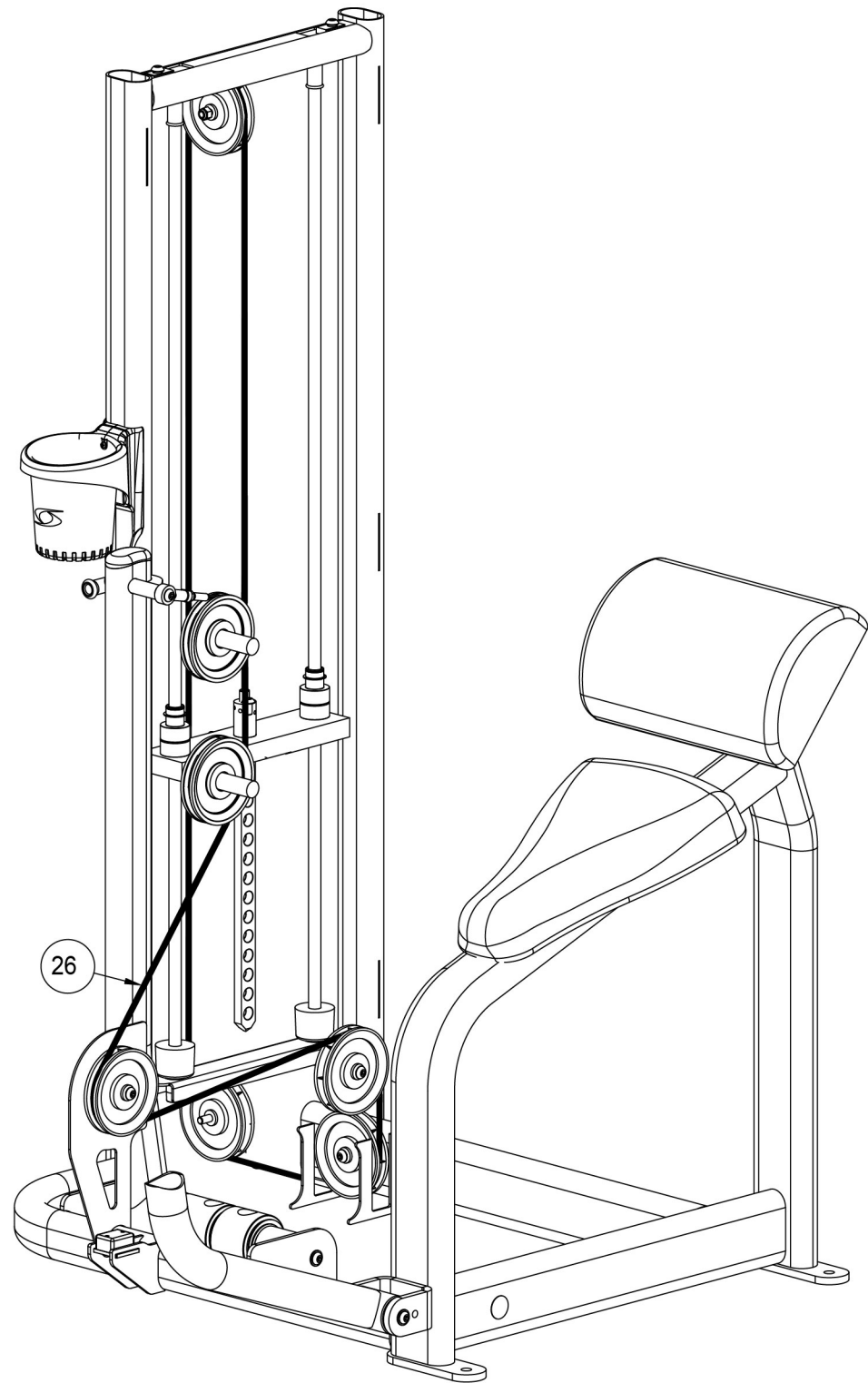
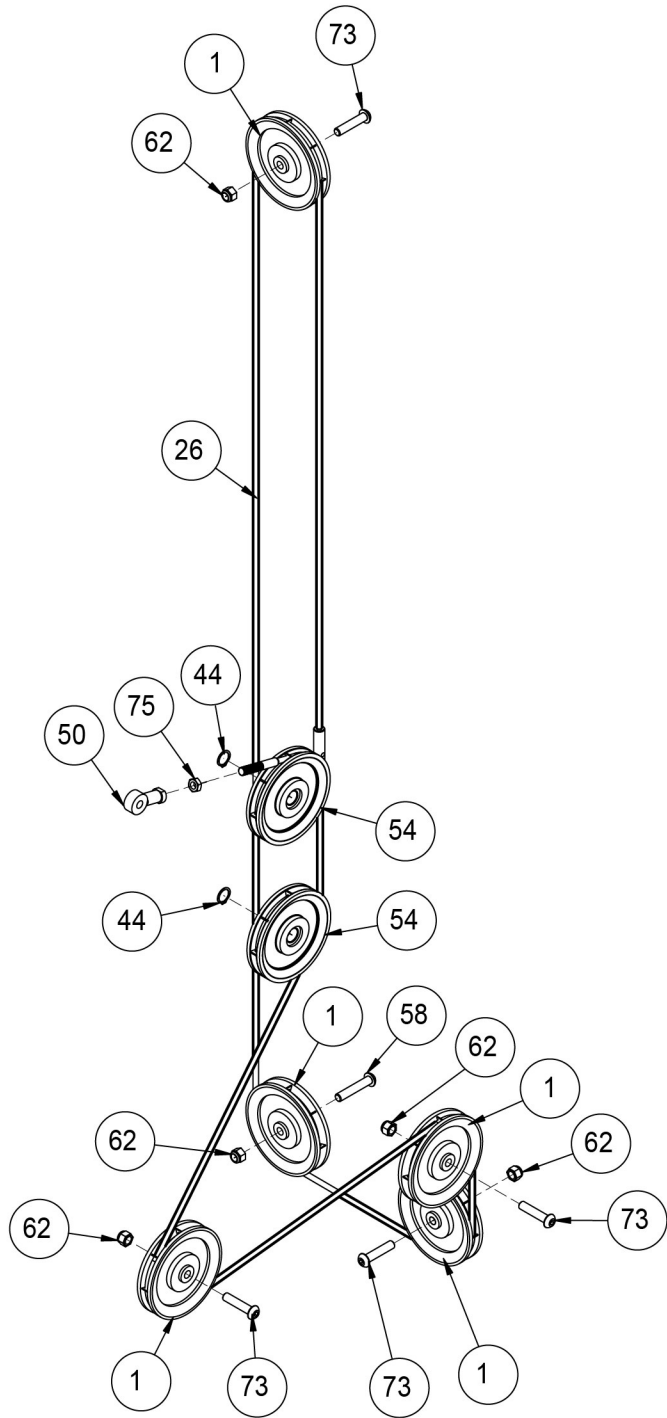
13200 Ab/Back Extension Foot Rest Assembly



<u>Bulb Number</u>	<u>Part Number</u>	<u>Description</u>	
2	8229	PIN, DETENT	
4	11040-440	KNOB	
5	11080-337	SHAFT PIVOT	
8	11090-398	END CAP	
9	11090-400	GRIP 8.75	
10	12090-202	W/ FOOT REST	
11	12090-306	SPACER	
12	12090-312	DECAL FOOT REST	
27	13200-200	MAIN FRAME	
47	BS070201	COM SPRING .56 x .66 1.50 LG	
51	FB030232	BEARING, RADIAL 17 mm EXTENDED RACE	
53	FC030006	TOLERANCE RING 1.575 ID	
65	HS347600	WASHER, SAE .375	
70	JC700412	BHSCS .375-16 X .50	
72	JC700422	BHSCS .375-16 X 1.50	
73	JC700424	BHSCS .375-16 X 1.75	
77	PN660200	INSERT, PLASTIC	
86	4510-321-1	CAUTION DECAL	GERMAN
86	4510-321-2	CAUTION DECAL	FRENCH
86	4510-321-3	CAUTION DECAL	SPANISH
86	4510-321-4	CAUTION DECAL	ENGLISH
86	4510-321-6	CAUTION DECAL	JAPANESE
86	4510-321-7	CAUTION DECAL	SWEDISH
86	4510-321-8	CAUTION DECAL	RUSSIAN
86	4510-321-A	CAUTION DECAL	DANISH

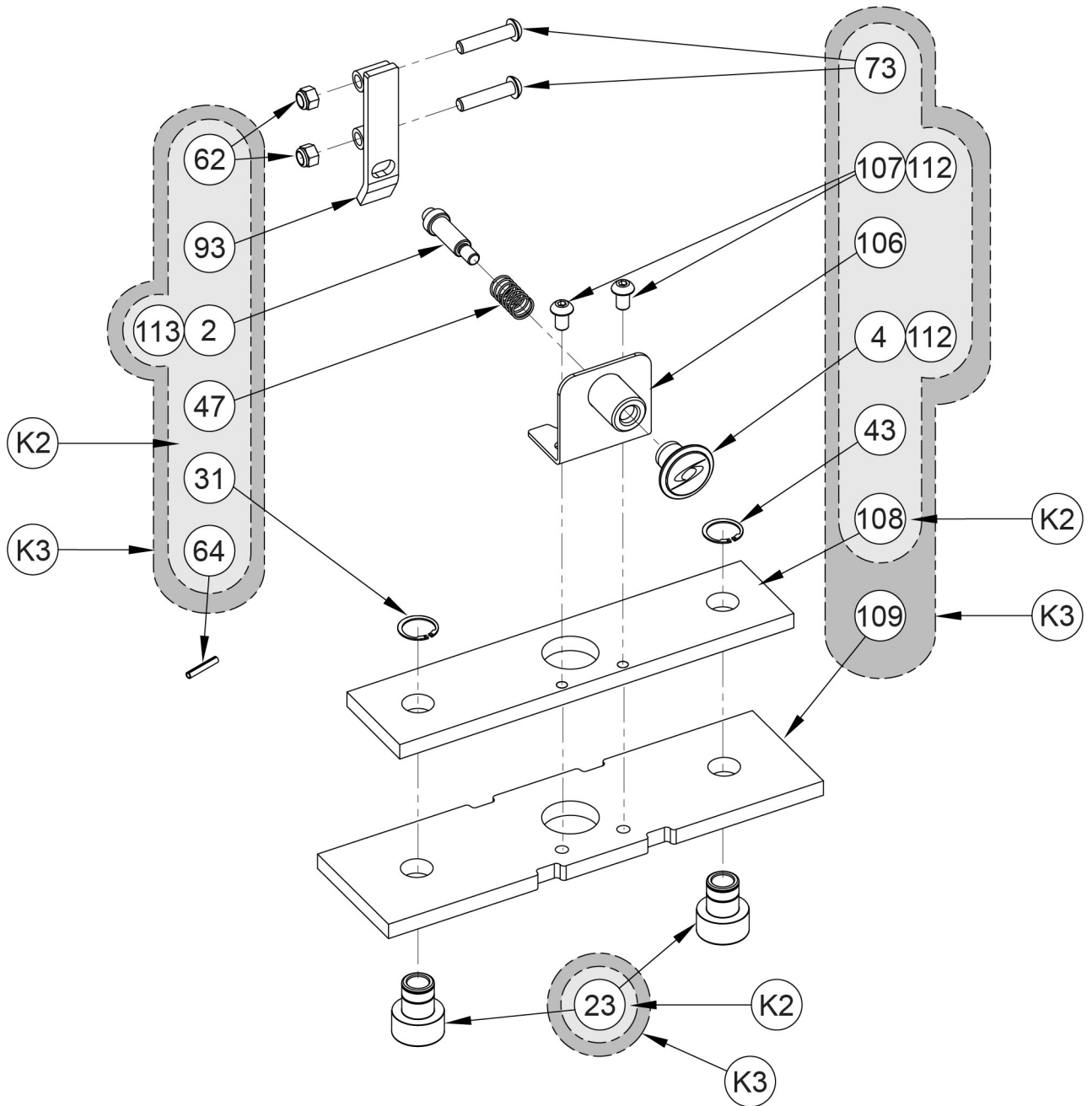
86	4510-321-D	CAUTION DECAL	DUTCH
112	YA000201	LOCTITE .02 OZ #242, BLUE	
113	YG000002	PLEASE USE WHITE LITHIUM GREASE	

13200 Ab/Back Extension Cable Routing



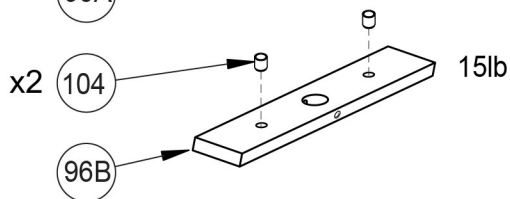
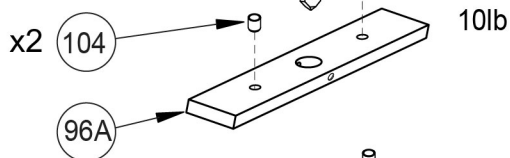
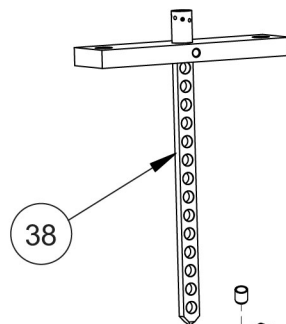
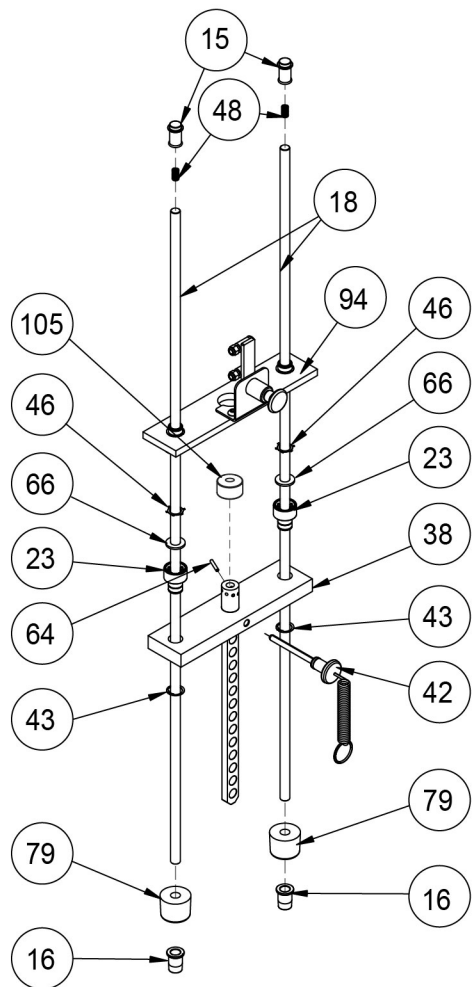
<u>Bulb Number</u>	<u>Part Number</u>	<u>Description</u>
1	8014	PULLEY ASSEMBLY, 4.50 IN.
26	13200-002	CABLE S/A
44	BR030210	RETAINING RING, 17mm
50	FB030213	ROD END BEARING FEMALE .375-24 UNF
54	GP000000	PULLEY ASSEMBLY - 4.50
58	HC700426	BHSCS .375-16 X 2.00
62	HN704901	LOCKNUT, .375-16 NYLON
73	JC700424	BHSCS .375-16 X 1.75
75	JN714400	NUT, HEX JAM .375-24 UNF

13200 Ab/Back
Half Weight Assembly

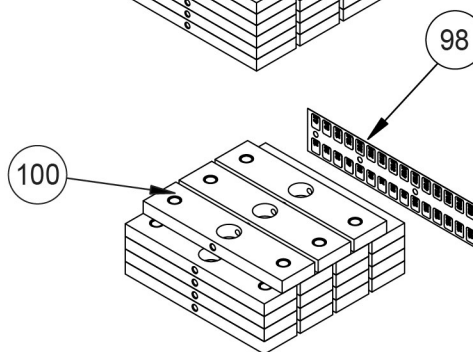
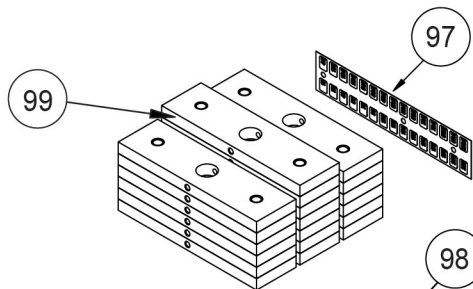


<u>Bulb Number</u>	<u>Part Number</u>	<u>Description</u>
2	8229	PIN, DETENT
4	11040-440	KNOB
23	13000-364	BEARING, FLANGE
43	BR030206	RETAINING RING
47	BS070201	COM SPRING .56 x .66 1.50 LG
62	HN704901	LOCKNUT, .375-16 NYLON
64	HP286819	SPIRAL PIN .188 X 1.12
73	JC700424	BHSCS .375-16 X 1.75
93	13000-208	P/ LATCH
106	13000-206	W/ HALF WEIGHT LATCH
107	HC700414	BHSCS .375-16 X .625
108	13000-352	C HALF WEIGHT 5 LBS
109	13000-363	C HALF WEIGHT 7.5 LBS
112	YA000201	LOCTITE .02 OZ #242, BLUE
113	YG000002	PLEASE USE WHITE LITHIUM GREASE
K2	13000K004	KIT, HALF WEIGHT 5 LBS
K3	13000K005	KIT, HALF WEIGHT 7.5 LBS

13200 Ab/Back Extension Weight Assembly



WEIGHT PLATE DETAIL



<u>Bulb Number</u>	<u>Part Number</u>	<u>Description</u>
15	12210-347	GUIDE ROD CAP
16	12210-348	GUIDE ROD CAP
18	13000-326	WT ROD .625 DIA X 51.51
23	13000-364	BEARING, FLANGE
38	4800-262	TOP WEIGHT, 13-3c 12
42	BH030207	Pin, Weight Selector
43	BR030206	RETAINING RING
46	BR030220	Internal Retaining Ring 1.250
48	BS070208	COMPRESSION SPRING
64	HP286819	SPIRAL PIN .188 X 1.12
66	HS720004	Felt Washer, .641 1.250 .125 T
79	PR060005	BUMPER, WEIGHT
94	13000-101	HALF WEIGHT OPTION 5LBS
94	13000-102	HALF WEIGHT OPTION 7.5LB
96A	4700-337	10 LB WEIGHT PLATES
96B	4700-338	WEIGHT PLATE 15 LB
97	4800-557	WT PLATE DECAL (10-150)
98	13000-552	DECAL, WEIGHT PLATE 10-220
99	13000-031	WEIGHT PAC 10 LB
100	13000-035	WEIGHT PAC 15 LB
104	FB130216	BUSHING, WEIGHT STACK
105	13000-385	BUMPER STOP