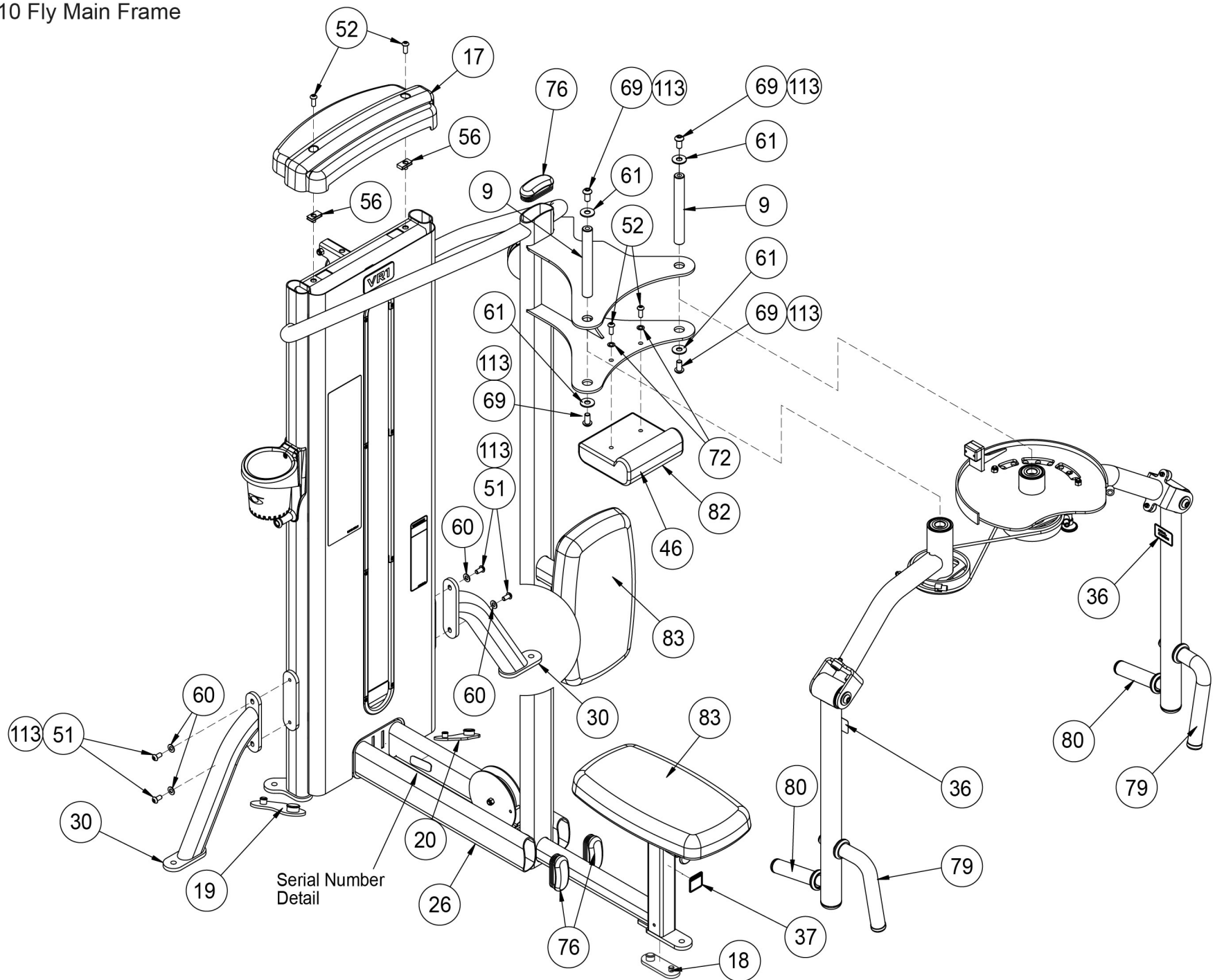


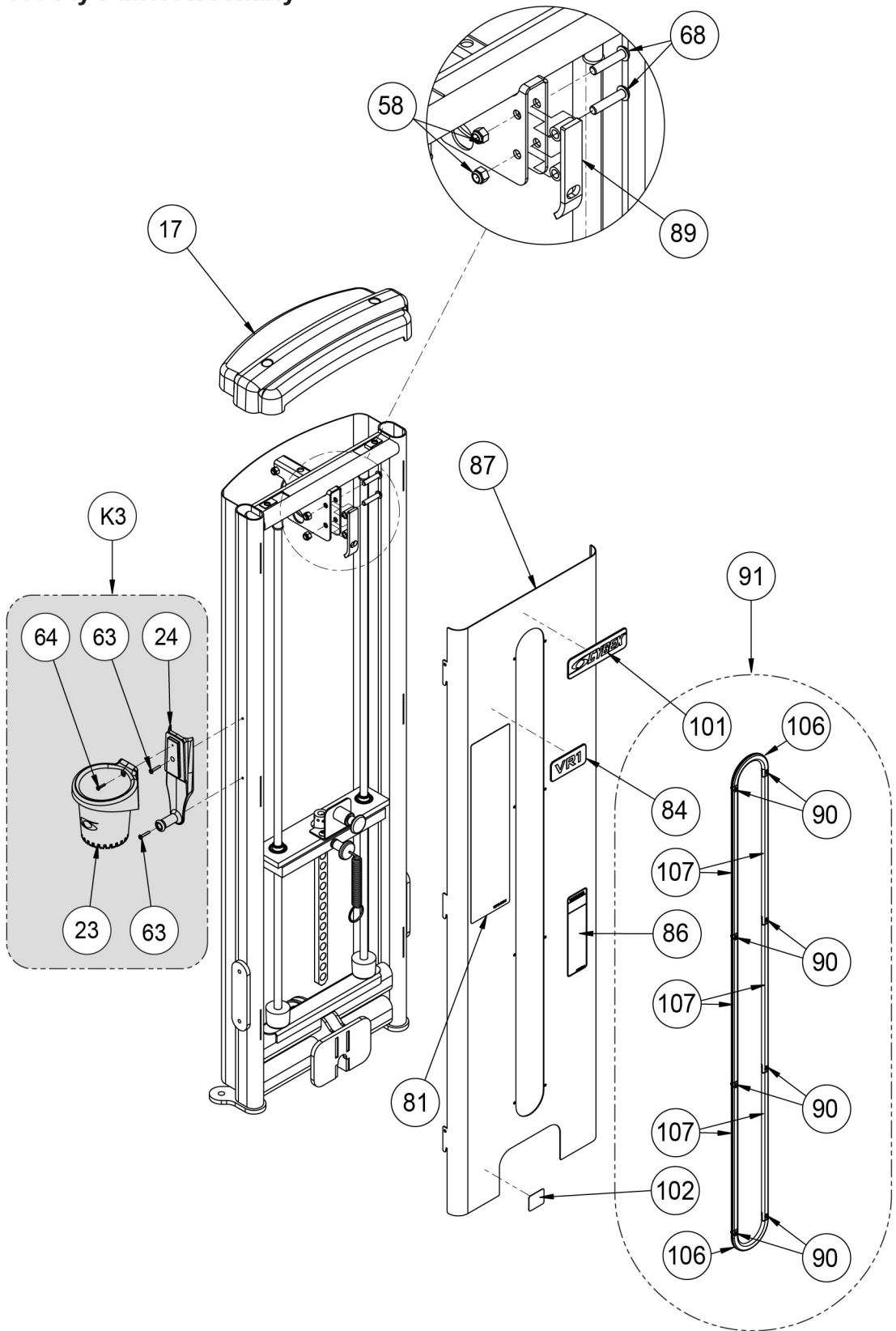
13110 Fly Main Frame



<u>Bulb Number</u>	<u>Part Number</u>	<u>Description</u>	
9	12110-332	PIVOT PIN	
17	13000-342	MOLDED TOP CAP	
18	13000-353	FOOT PAD	
19	13000-354	FOOT PAD	
20	13000-355	FOOT PAD	
26	13110-200	MAIN FRAME	
30	13110-204	SUPPORT LEG	
36	4000Y316-1	DECAL, CAUTION	GERMAN
36	4000Y316-2	DECAL, CAUTION	FRENCH
36	4000Y316-3	DECAL, CAUTION	SPANISH
36	4000Y316-4	DECAL, CAUTION	ENGLISH
36	4000Y316-6	DECAL, CAUTION	JAPANESE
36	4000Y316-7	DECAL, CAUTION	SWEDISH
36	4000Y316-8	DECAL, CAUTION	RUSSIAN
36	4000Y316-A	DECAL, CAUTION	DANISH
36	4000Y316-D	DECAL, CAUTION	DUTCH
37	4520-362-1	DECAL, CAUTION	GERMAN
37	4520-362-2	DECAL, CAUTION	FRENCH
37	4520-362-3	DECAL, CAUTION	SPANISH
37	4520-362-4	DECAL, CAUTION	ENGLISH
37	4520-362-6	DECAL, CAUTION	JAPANESE
37	4520-362-7	DECAL, CAUTION	SWEDISH
37	4520-362-8	DECAL, CAUTION	RUSSIAN
37	4520-362-A	DECAL, CAUTION	DANISH
37	4520-362-D	DECAL, CAUTION	DUTCH
46	BS070208	COMPRESSION SPRING	

51	HC700415	BHSCS .375-16 X .75
52	HC700417	BHSCS .375-16 X 1.00
56	HF700000	PANEL FASTNER, .375-16 , U TYPE
60	HS347600	WASHER, SAE .375
61	HS387500	.500 SAE FLAT WASHER
69	JC780417	BHSCS .500-13 X 1.00
72	JS347400	LOCKWASHER, INT TOOTH .375
76	PP130002	INSERT, DOMED PLASTIC
79	4605-527	GRIP 1.38 OD X .96 ID 11?
80	4605-501	GRAB GRIP 5.00
82	4800-119	PAD W/WEAR COVER
83	4800-188	CUSHION S/A, 10 X 18 MOLDED
103	YA000201	LOCTITE .02 OZ #242, BLUE

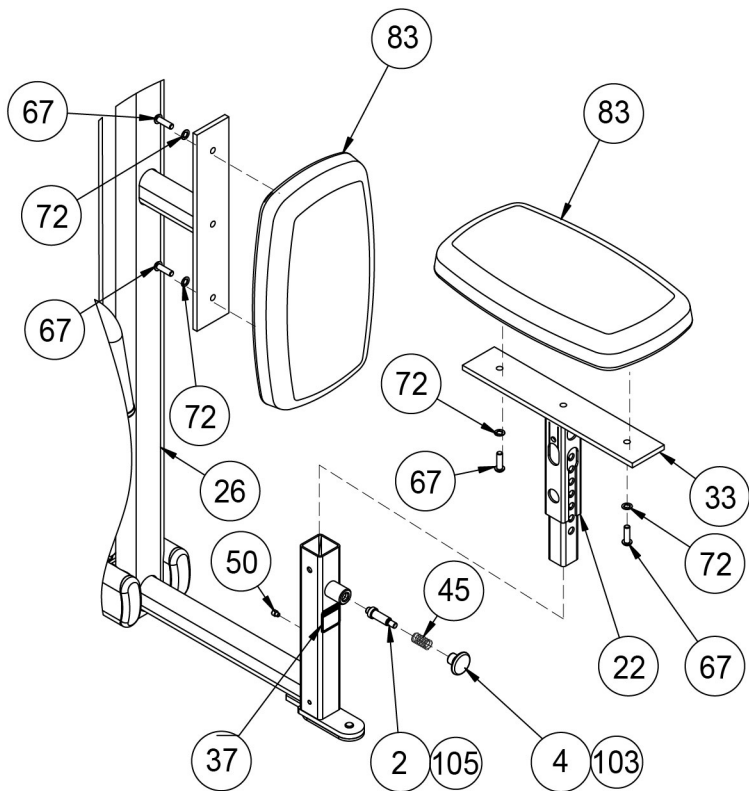
13110 Fly Panel Assembly



<u>Bulb Number</u>	<u>Part Number</u>	<u>Description</u>	
17	13000-342	MOLDED TOP CAP	
23	13000-400	WATER BOTTLE HOLDER	
24	13000-403	MOUNT, WATER BOTTLE HOLDER	
58	HN704901	LOCKNUT, .375-16 NYLON	
63	HT512517	TAP SC 10-24 X 1.00 TYPE WB PN HD PHIL BLK	
64	HT552515	TAP SC NO. 8-16 X? .75 PLASTITE PN HD PHIL BLK	
68	JC700424	BHSCS .375-16 X 1.75	
81	13110-598-1	VR1 PLACARD	GERMAN
81	13110-598-2	VR1 PLACARD	FRENCH
81	13110-598-3	VR1 PLACARD	SPANISH
81	13110-598-4	VR1 PLACARD	ENGLISH
81	13110-598-6	VR1 PLACARD	JAPANESE
81	13110-598-7	VR1 PLACARD	SWEDISH
81	13110-598-8	VR1 PLACARD	RUSSIAN
81	13110-598-A	VR1 PLACARD	DANISH
81	13110-598-D	VR1 PLACARD	DUTCH
84	13000-399	VR PLAQUE	
86	4605-381-1	DECAL, WARNING	GERMAN
86	4605-381-2	DECAL, WARNING	FRENCH
86	4605-381-3	DECAL, WARNING	SPANISH
86	4605-381-4	DECAL, WARNING	ENGLISH
86	4605-381-6	DECAL, WARNING	JAPANESE
86	4605-381-7	DECAL, WARNING	SWEDISH
86	4605-381-8	DECAL, WARNING	RUSSIAN
86	4605-381-A	DECAL, WARNING	DANISH

86	4605-381-D	DECAL, WARNING	DUTCH
87	13000-343-90	FRONT PANEL	Platinum Sparkle
87	13000-343-91	FRONT PANEL	Textured White
87	13000-343-92	FRONT PANEL	Silver Vein
87	13000-343-95	FRONT PANEL	Black Chrome
87	13000-343-97	FRONT PANEL	Textured Black
87	13000-343-98	FRONT PANEL	Custom Paint
87	13000-343-99	FRONT PANEL	Metal Tone Gold
89	13000-208	P/ LATCH	
90	HT552511	SCREW, TAP 8-16 x .38 PLASTITE BLACK	
91	13000-100	EDGE TRIM	
101	13000-398	DECAL, CYBEX	
102	11040-790	DECAL, MADE IN U.S.A.	
106	13000-344	TRIM, CURVED	
107	13000-345	TRIM, STRAIGHT	
K3	13000K003	KIT, WATER BOTTLE HOLDER	

13110 Fly Seat Assembly

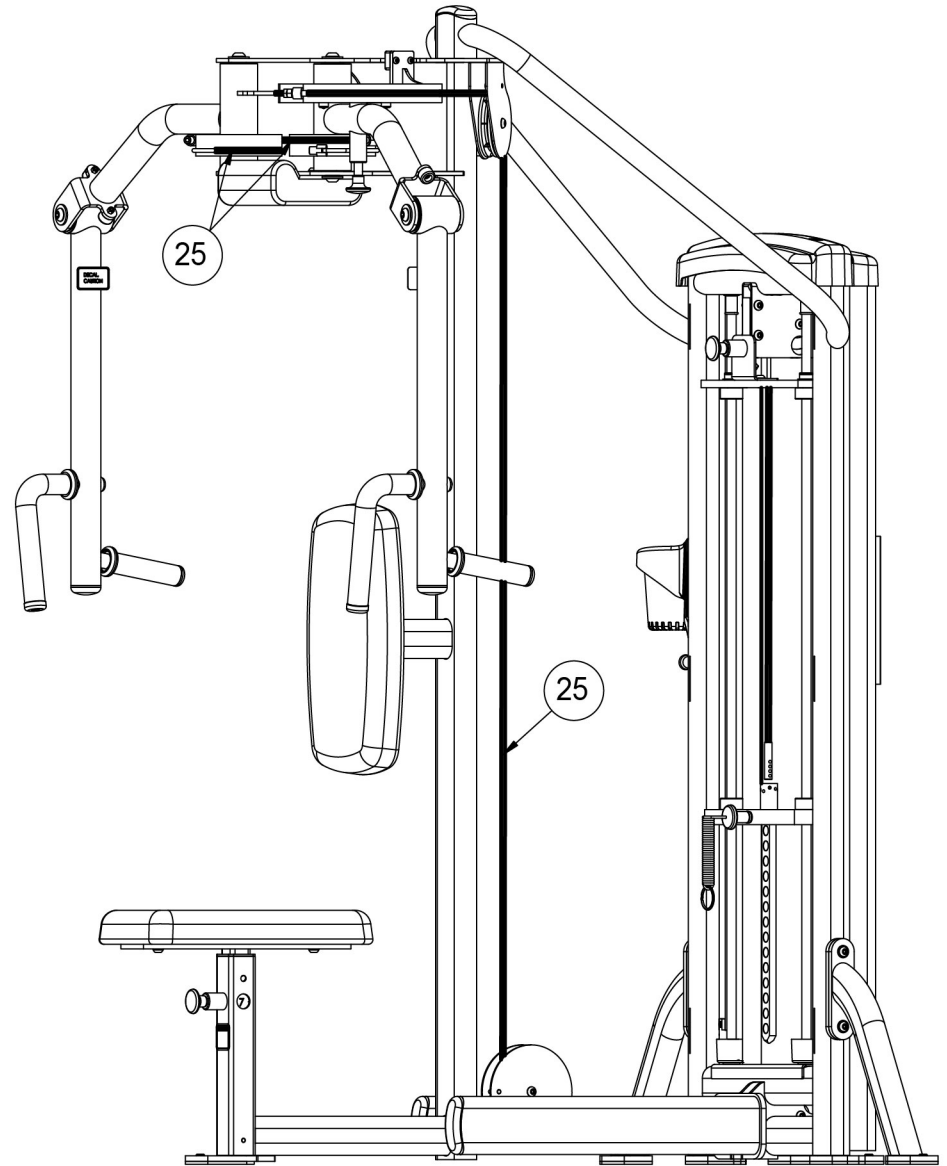
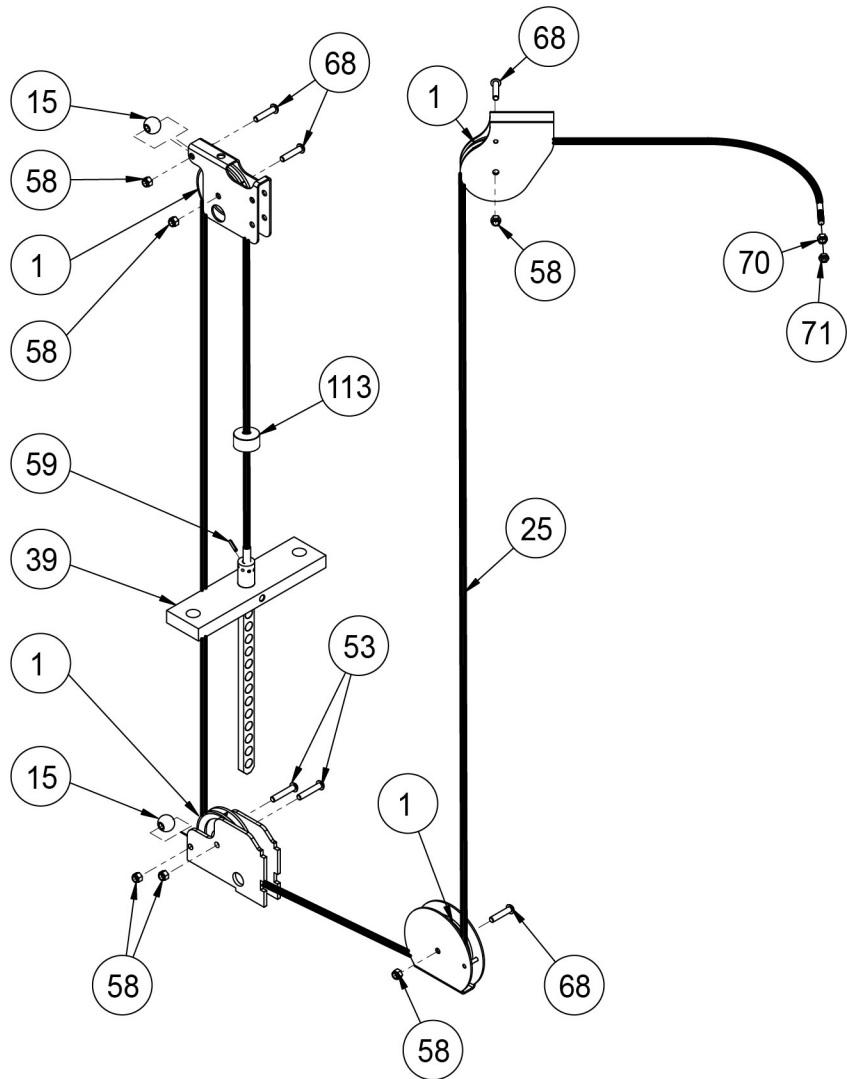


<u>Bulb Number</u>	<u>Part Number</u>	<u>Description</u>	
2	8229	PIN, DETENT	
4	11040-440	KNOB	
22	13000-365	INSERT PLASTIC, 7.94 (MODIFIED)	
26	13110-200	MAIN FRAME	
33	13110-207	CUSHION POST	
37	4520-362-1	DECAL, CAUTION	GERMAN
37	4520-362-2	DECAL, CAUTION	FRENCH
37	4520-362-3	DECAL, CAUTION	SPANISH
37	4520-362-4	DECAL, CAUTION	ENGLISH
37	4520-362-6	DECAL, CAUTION	JAPANESE
37	4520-362-7	DECAL, CAUTION	SWEDISH
37	4520-362-8	DECAL, CAUTION	RUSSIAN
37	4520-362-A	DECAL, CAUTION	DANISH
37	4520-362-D	DECAL, CAUTION	DUTCH
45	BS070201	COM SPRING .56 x .66 1.50 LG	
50	HC622808	SHCS .250-20 X .250	
67	JC700420	BHSCS .375-16 X 1.25	
72	JS347400	LOCKWASHER, INT TOOTH .375	
83	4800-188	CUSHION S/A, 10 X 18 MOLDED	
103	YA000201	LOCTITE .02 OZ #242, BLUE	
105	YG000002	PLEASE USE WHITE LITHIUM GREASE	

<u>Bulb Number</u>	<u>Part Number</u>	<u>Description</u>	
3	11000-384	BLOCK, STOP	
4	11040-440	KNOB	
5	11060-332	PIN, DETENT	
6	11090-374	END CAP	
7	11090-376	RING, HANDLE GRIP	
8	12110-003	CABLE S/A	
10	12110-333	DETENT PLATE	
11	12110-338	SPACER	
14	12110-350	DECAL, START ADJUST	
27	13110-201	CAM	
28	13110-202	PIVOT ARM LH	
29	13110-203	PIVOT ARM RH	
31	13110-205	INPUT ARM	
32	13110-206	INPUT ARM	
34	13110-325	ROD	
36	4000Y316-1	DECAL, CAUTION	GERMAN
36	4000Y316-2	DECAL, CAUTION	FRENCH
36	4000Y316-3	DECAL, CAUTION	SPANISH
36	4000Y316-4	DECAL, CAUTION	ENGLISH
36	4000Y316-6	DECAL, CAUTION	JAPANESE
36	4000Y316-7	DECAL, CAUTION	SWEDISH
36	4000Y316-8	DECAL, CAUTION	RUSSIAN
36	4000Y316-A	DECAL, CAUTION	DANISH
36	4000Y316-D	DECAL, CAUTION	DUTCH
38	4605-550	PLUG	

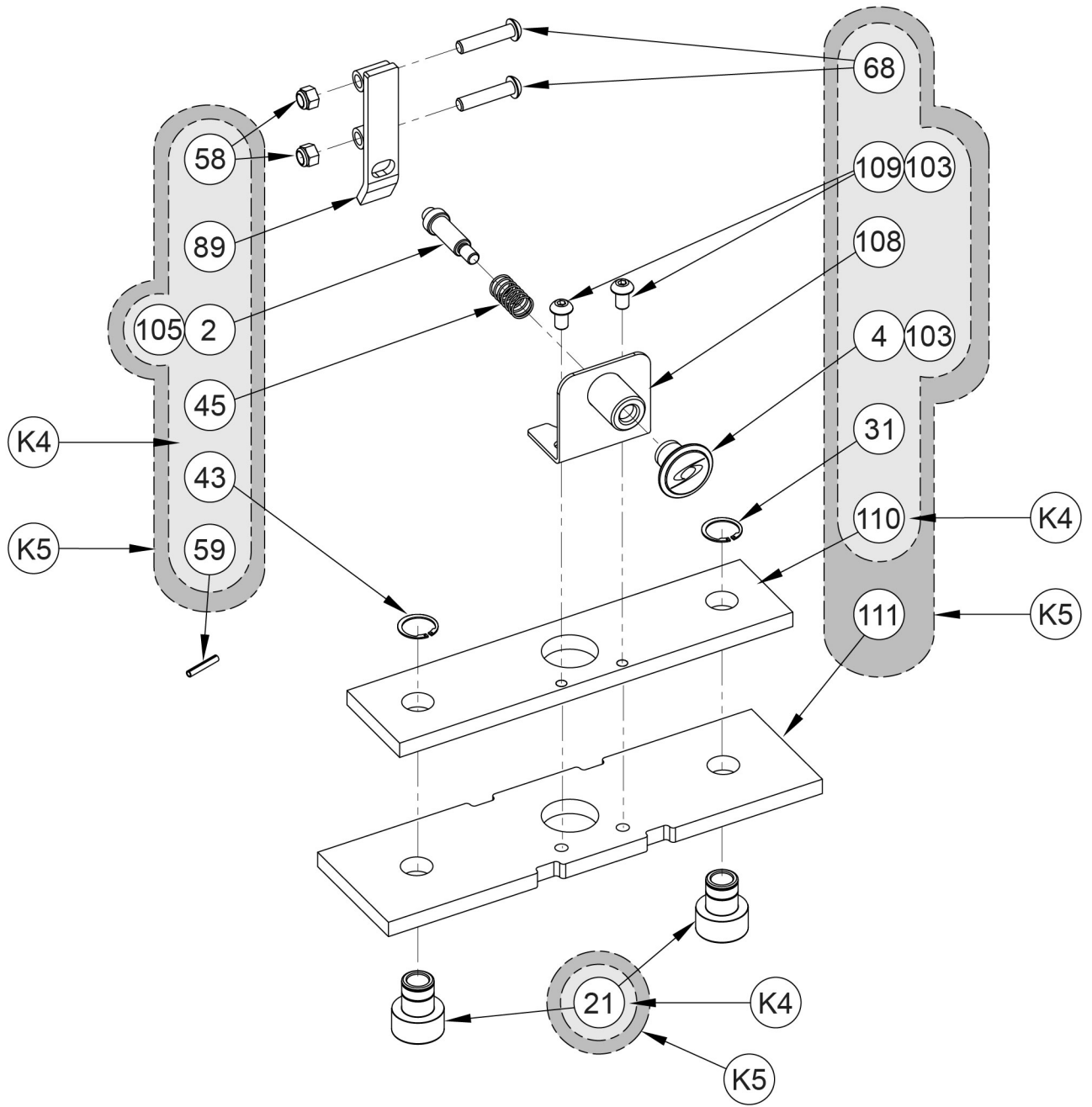
40	4715-346	COMP SPRING .72 x 1.50 LG
48	FB030247	BEARING, RADIAL 25MM EXTENDED RACE
49	FC030007	TOLERANCE RING 2.047 ID
54	HC702817	SHCS .375-16 X 1.00
55	HF449063	INSERT 3/4 X 1/4-20
57	HN625200	LOCKNUT .250-20 NYLON HVY
58	HN704901	LOCKNUT, .375-16 NYLON
61	HS387500	.500 SAE FLAT WASHER
65	JC620415	BHSCS .250-20 X .75
66	JC620422	BHSCS .250-20 x 1.50
69	JC780417	BHSCS .500-13 X 1.00
70	JN714200	HEX NUT .375-24
71	JN714400	NUT, HEX JAM .375-24 UNF
73	PP080222	CAP VINYL END .50 X .50
74	PP080226	INSERT, DOMED PLASTIC 2.00, RIB
75	PP090213	INSERT PLASTIC
78	PR069400	BUMPER, RECESS
79	4605-527	GRIP 1.38 OD X .96 ID 11?
80	4605-501	GRAB GRIP 5.00
93	HS307600	WASHER SAE .250
94	PP080221	INSERT, BLACK .312 DIA
103	YA000201	LOCTITE .02 OZ #242, BLUE
104	YA000206	PLEASE USE LOCTITE 495
K1	4605K549	KIT, HANDLE PLUG
K2	11090K006	KIT, HANDLE TRIM RING

13110 Fly Cable Routing



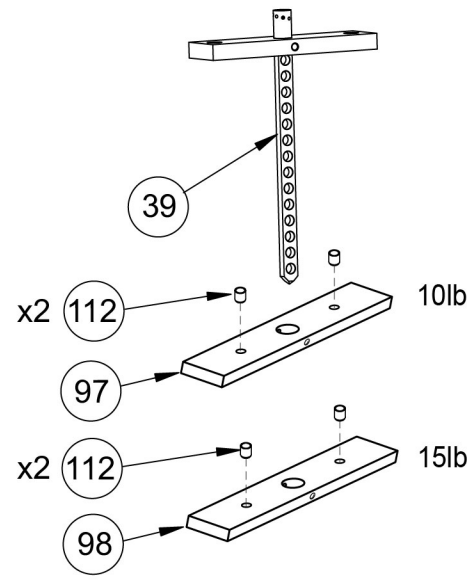
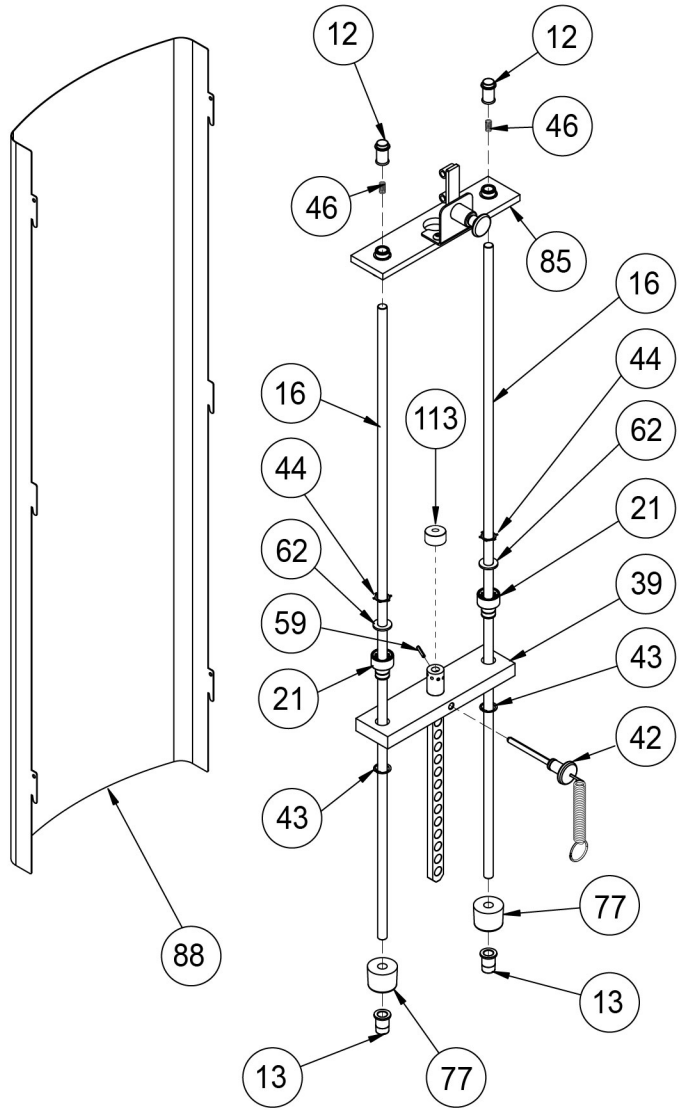
<u>Bulb Number</u>	<u>Part Number</u>	<u>Description</u>
1	8014	PULLEY ASSEMBLY, 4.50 IN.
15	13000-322	ROLLER
25	13110-002	CABLE S/A
39	4700C070	TOP WEIGHT ASSEMBLY
53	HC700426	BHSCS .375-16 X 2.00
58	HN704901	LOCKNUT, .375-16 NYLON
59	HP286819	SPIRAL PIN .188 X 1.12
68	JC700424	BHSCS .375-16 X 1.75
70	JN714200	HEX NUT .375-24
71	JN714400	NUT, HEX JAM .375-24 UNF
113	13000-385	BUMPER STOP

13110 Fly/Rear Delt Extension Half Weight Assembly

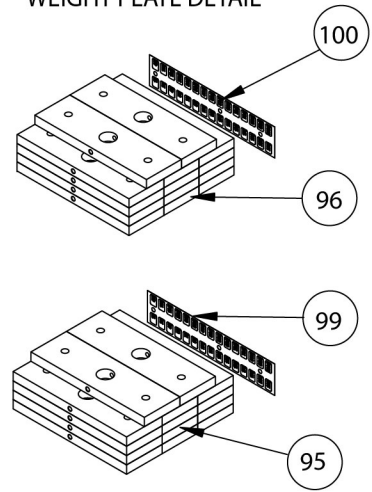


<u>Bulb Number</u>	<u>Part Number</u>	<u>Description</u>
2	8229	PIN, DETENT
4	11040-440	KNOB
21	13000-364	BEARING, FLANGE
43	BR030206	RETAINING RING
45	BS070201	COM SPRING .56 x .66 1.50 LG
58	HN704901	LOCKNUT, .375-16 NYLON
59	HP286819	SPIRAL PIN .188 X 1.12
68	JC700424	BHSCS .375-16 X 1.75
89	13000-208	P/ LATCH
108	13000-206	W/ HALF WEIGHT LATCH
109	HC700414	BHSCS .375-16 X .625
110	13000-352	C HALF WEIGHT 5 LBS
111	13000-363	C HALF WEIGHT 7.5 LBS
103	YA000201	LOCTITE .02 OZ #242, BLUE
105	YG000002	PLEASE USE WHITE LITHIUM GREASE
K4	13000K004	KIT, HALF WEIGHT 5 LBS
K5	13000K005	KIT, HALF WEIGHT 7.5 LBS

13110 Fly Weight Assembly



WEIGHT PLATE DETAIL



<u>Bulb Number</u>	<u>Part Number</u>	<u>Description</u>	
12	12210-347	GUIDE ROD CAP	
13	12210-348	GUIDE ROD CAP	
16	13000-326	WT ROD .625 DIA X 51.51	
21	13000-364	BEARING, FLANGE	
39	4700C070	TOP WEIGHT ASSEMBLY	
42	BH030207	Pin, Weight Selector	
43	BR030206	RETAINING RING	
44	BR030220	Internal Retaining Ring 1.250	
46	BS070208	COMPRESSION SPRING	
59	HP286819	SPIRAL PIN .188 X 1.12	
62	HS720004	Felt Washer, .641 1.250 .125 T	
77	PR060005	BUMPER, WEIGHT	
85	13000-101	HALF WEIGHT OPTION 5LBS	
88	13000-346-90	BACK PANEL	Platinum Sparkle
88	13000-346-91	BACK PANEL	Textured White
88	13000-346-92	BACK PANEL	Silver Vein
88	13000-346-95	BACK PANEL	Black Chrome
88	13000-346-97	BACK PANEL	Textured Black
88	13000-346-98	BACK PANEL	Custom Paint
88	13000-346-99	BACK PANEL	Metal Tone Gold
95	13000-032	WEIGHT PLATE PACK (LIGHT)	
96	13000-036	WEIGHT PLATE PACK (STANDARD)	
97	4700-337	10 LB WEIGHT PLATES	
98	4700-338	WEIGHT PLATE 15 LB	
99	4800-557	WT PLATE DECAL (10-150)	

100	13000-552	DECAL, WEIGHT PLATE 10-220
112	FB130216	BUSHING, WEIGHT STACK
113	13000-385	BUMPER STOP