

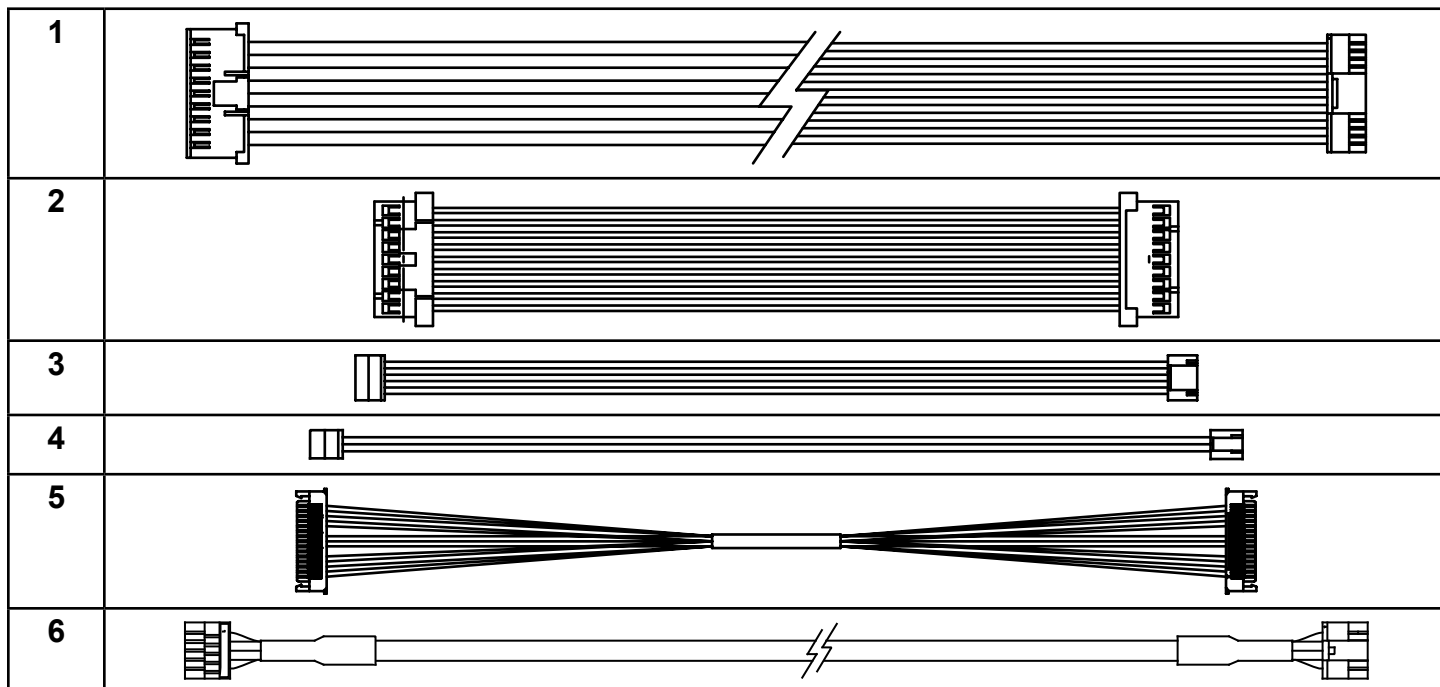
Console Cable Kit 770T

Kit Number **KAW-24392**

Kit List

This instruction sheet lists the console cables for Cybex treadmill model 770T.

Verify the kit contents shown.

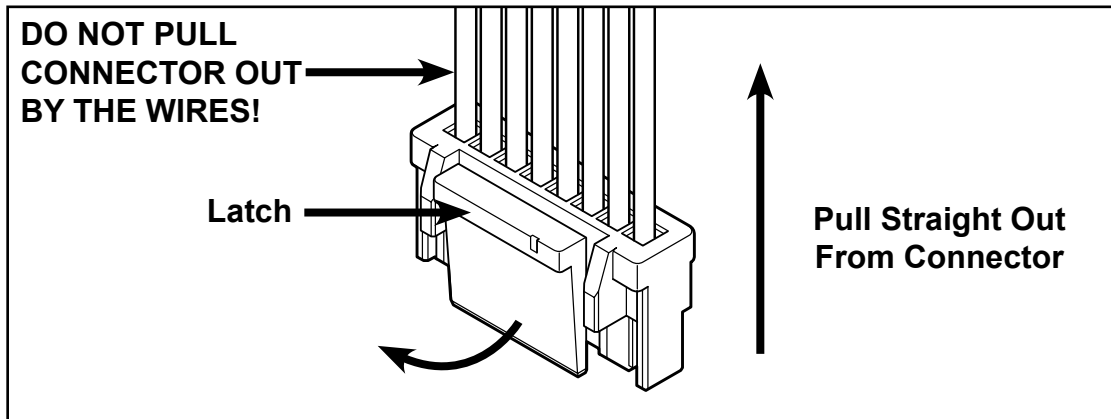


	Part number	Description	Length	Quantity
1	AW-22534	MCC to LED	6"	1
2	AW-23431	MCC to E3 View Monitor	6"	1
3	AW-22547	Keypad to MCC	6"	1
4	AW-22548	Keypad to thumb controls	4.5"	2
5	AW-22537	CardioTouch® board to MCC	7"	1
6	AW-22660	USB Hub to CardioTouch board	6"	1

Disconnect side latch cables

Unplug cables by un-latching connectors with the following procedure:

1. Press in the top of the cable connector.

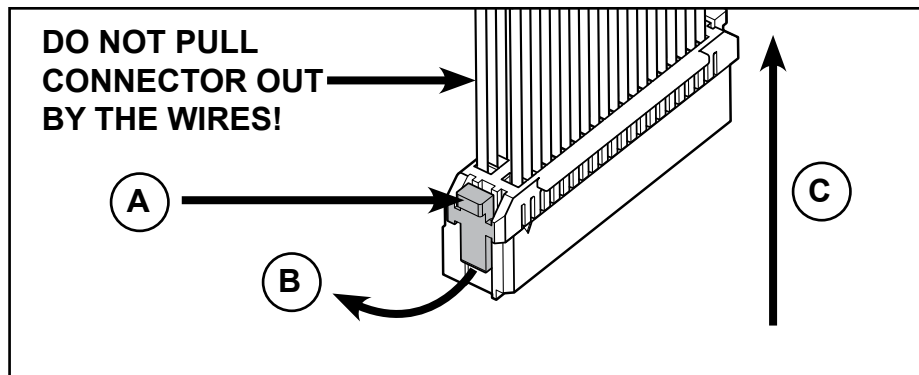


2. Ensure the latch disengages the connector.
3. Unplug cable by holding down the latch and pulling straight out from the connector. Do not pull on wires, remove by connector.

Disconnect edge latch cables

Unplug cables by un-latching connectors with the following procedure:

1. Press in both edge latches of the cable connector.



2. Ensure the latches disengage from the connector.
3. Unplug cable by holding down the latches on both sides and pulling straight out from the connector. Do not pull on wires, remove by connector.