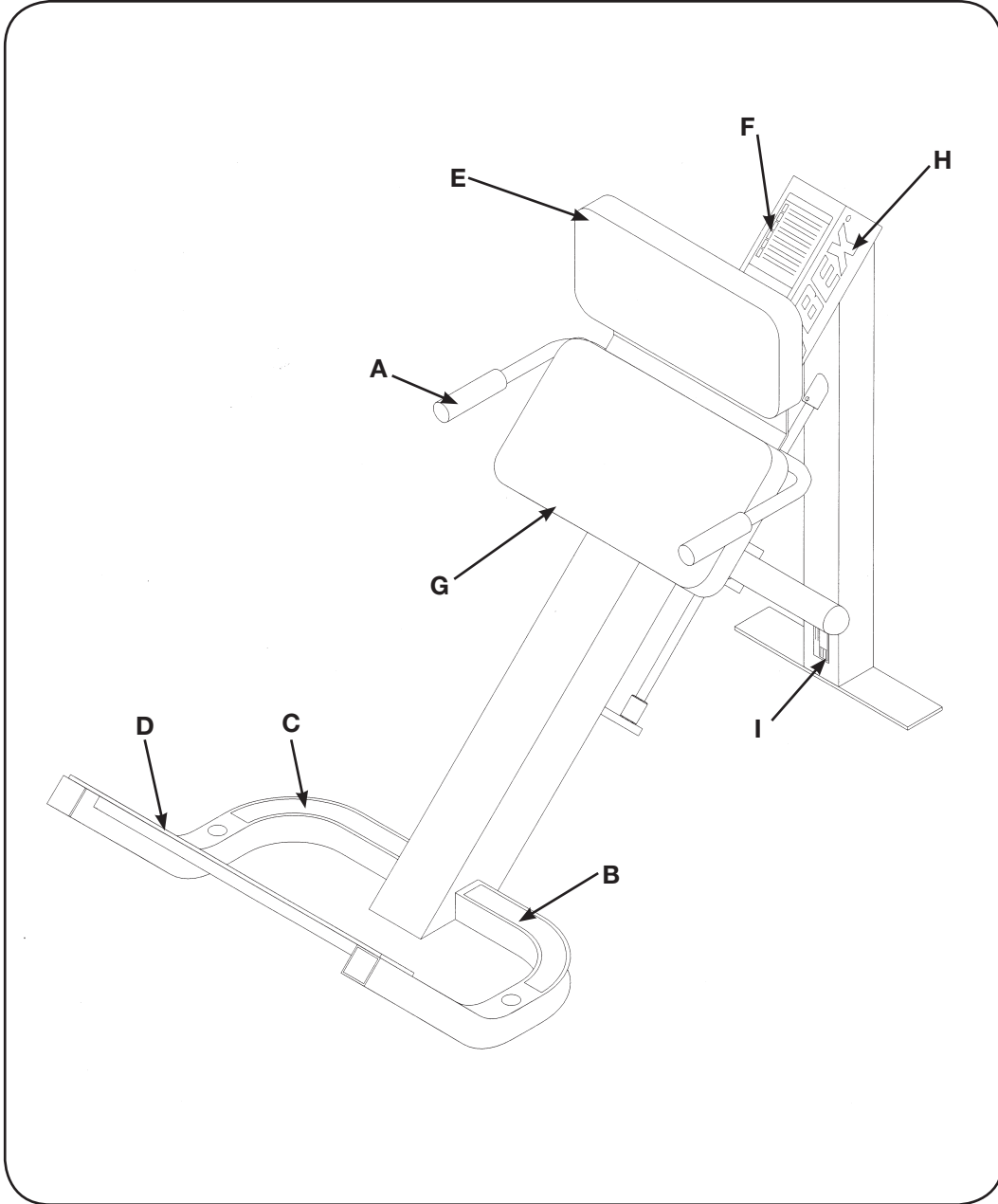


# 45° CALF

PRODUCT NO. 5560



DESCRIPTION	PART NO.	DESCRIPTION	PART NO.
A. Hand Grip .....	4605-501	F. Placard .....	5560-301
B. Non-Slip Fabric (left).....	01026	G. Seat Cushion.....	4106S055-0
C. Non-Slip Fabric (right).....	01027	H. Cybex Decal Black .....	3900-447
D. Non-Slip Fabric.....	01028	H. Cybex Decal Silver .....	3900-448
E. Back Cushion .....	4800-024	I. Serial Number Decal	

Upholstery Hardware Pack..... 5410S045

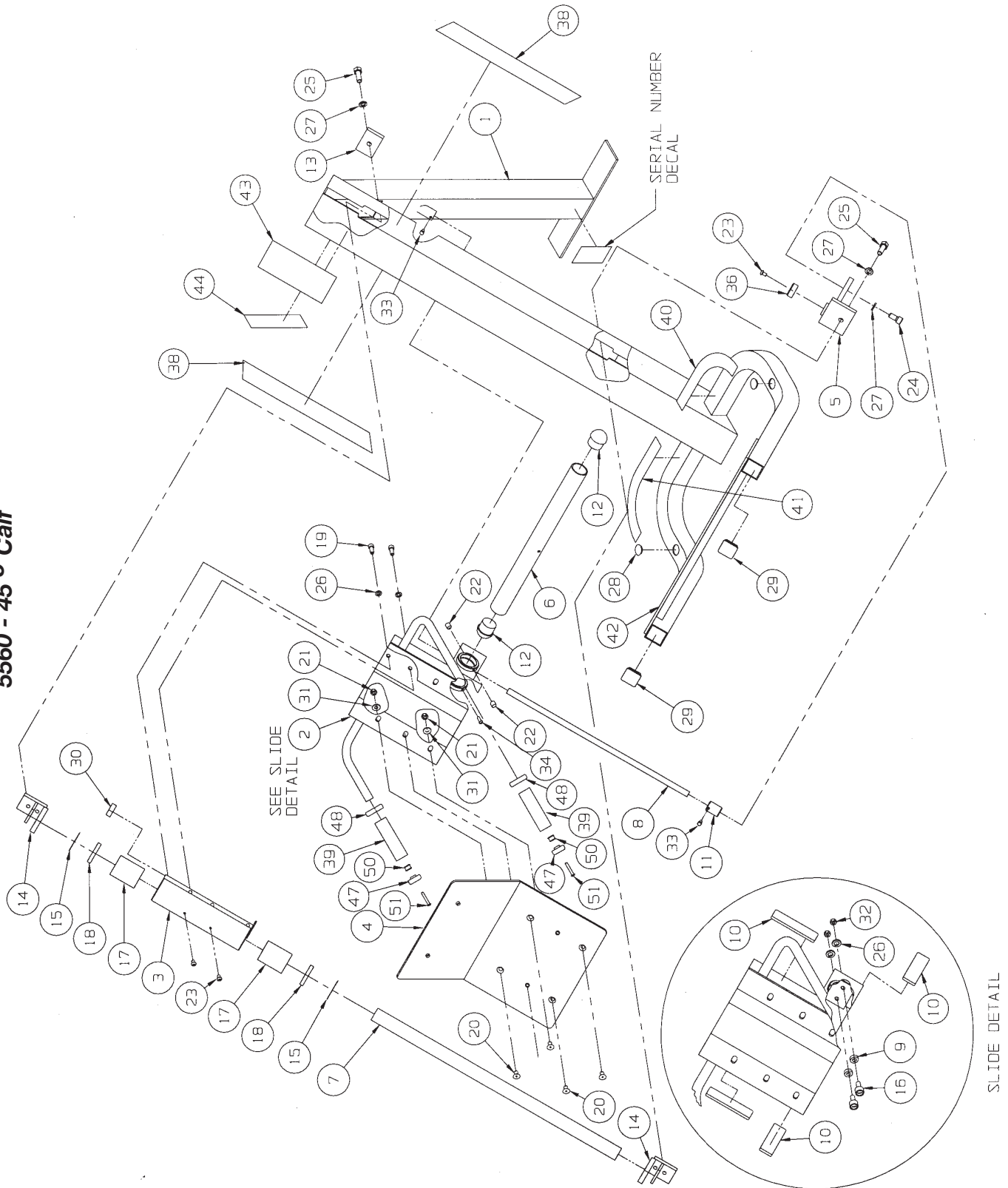
**Cybox Plate Loaded Owner's Manual**

**5560 - 45 ° Calf**

ITEM	QTY	PART NO.	DESCRIPTION
1	1	01000	Frame
2	1	01009	Slide
3	1	01015	Bearing Sleeve
4	1	01017	Seat Plate
5	1	01018	Rod Support
6	1	01021	Weight Tube
7	1	5560-302	Shaft 1.50 Dia x 30.50 L
8	1	01023	Weight Rod .625 Dia. x 22.50
9	2	01024	Spacer
10	4	01025	Wear Strip
11	1	01549	Guide Rod Collet
12	2	5330M040	Plug
13	1	5330C042	Locking Plate
14	2	5560-303	Pillow Block
15	2	BR030203	Linear Bearing Retaining Ring 1.50
16	2	01029	Hex Socket Cam Follower Bearing
17	2	FB110200	Linear Bearing 1.50
18	2	FS110200	Linear Bearing Seal 1.50
19	4	HC702816	SHCS .375-16 x .875
20	4	HC700915	FHSCS .375-16 x .75
21	4	HN704000	Hex Nut .375-16
22	3	HY622910	Set Screw .250-20 x .375
23	3	JG660412	BHSCS .312-18 x .50
24	1	JC782817	SHCS .500-13 x 1.00
25	2	JC781222	HHCS .500-13 x 1.50
26	6	HS348300	Split Lockwasher .375
27	3	JS388300	Split Lockwasher .500

ITEM	QTY	PART NO.	DESCRIPTION
28	2	PP080202	Plastic Insert 1.19 Dia. x 11 G
29	2	PP090210	Plastic Insert 2.00 Sq x 11 G
30	1	PU060201	Bumper
31	4	HS347600	Washer SAE .375
32	2	JN714200	Hex Nut .375-24
33	2	HC621211	HHCS .250-20 x .437
34	1	JC620415	BHSCS .250-20 x .75
35			Removed
36	1	PR060003	Recess Bumper
37	4	JC700420	BHSCS .375-16 x 1.25
38	2	3900-447	Cybox Decal 1.94 Horiz. <b>Black</b>
38	2	3900-448	Cybox Decal 1.94 Horiz. <b>Silver</b>
38			Removed 7-03
39	2	4605-501	Hand Grip
40	1	01026	Non-Slip Fabric (Left)
41	1	01027	Non-Slip Fabric (Right)
42	1	01028	Non-Slip Fabric
43	1	5560-301	Placard Decal
44	1	5220-364	Warning Decal
45	1	41009055-0	Seat Cushion
46	1	4800-024	Back Cushion
47	2	11000-374	End Cap
48	2	11090-376	Handle Grip Ring
49	1	51198	Strength Warranty Sheet (not shown)
50	2	HF449063	Insert
51	2	JC620422	BHSCS .250-20 x 1.50
52	4	JS347400	Internal Tooth Lockwasher

5560 - 45 ° Calf



5560 - 45° Calf

