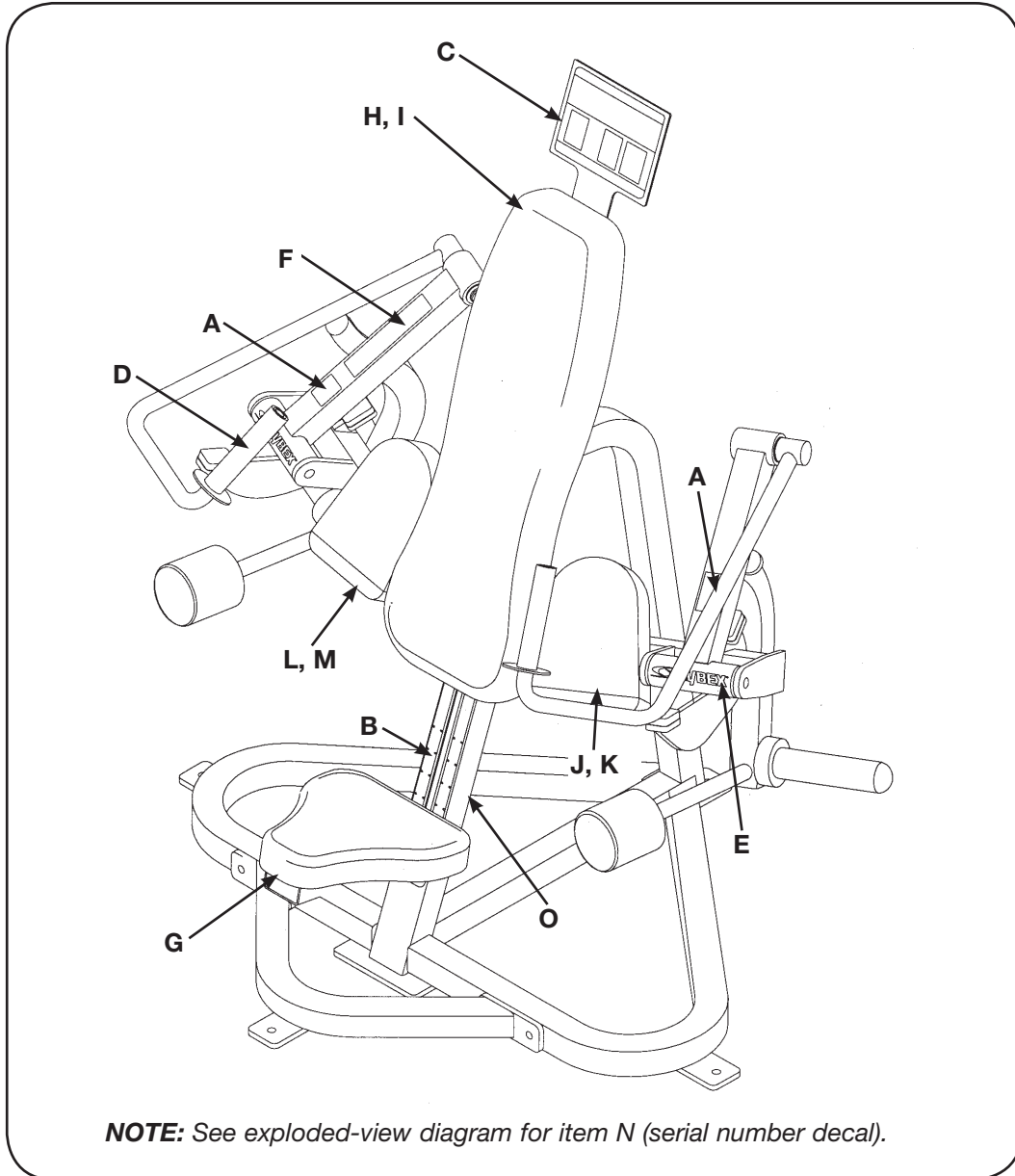


# ARM EXTENSION

PRODUCT NO. 5286



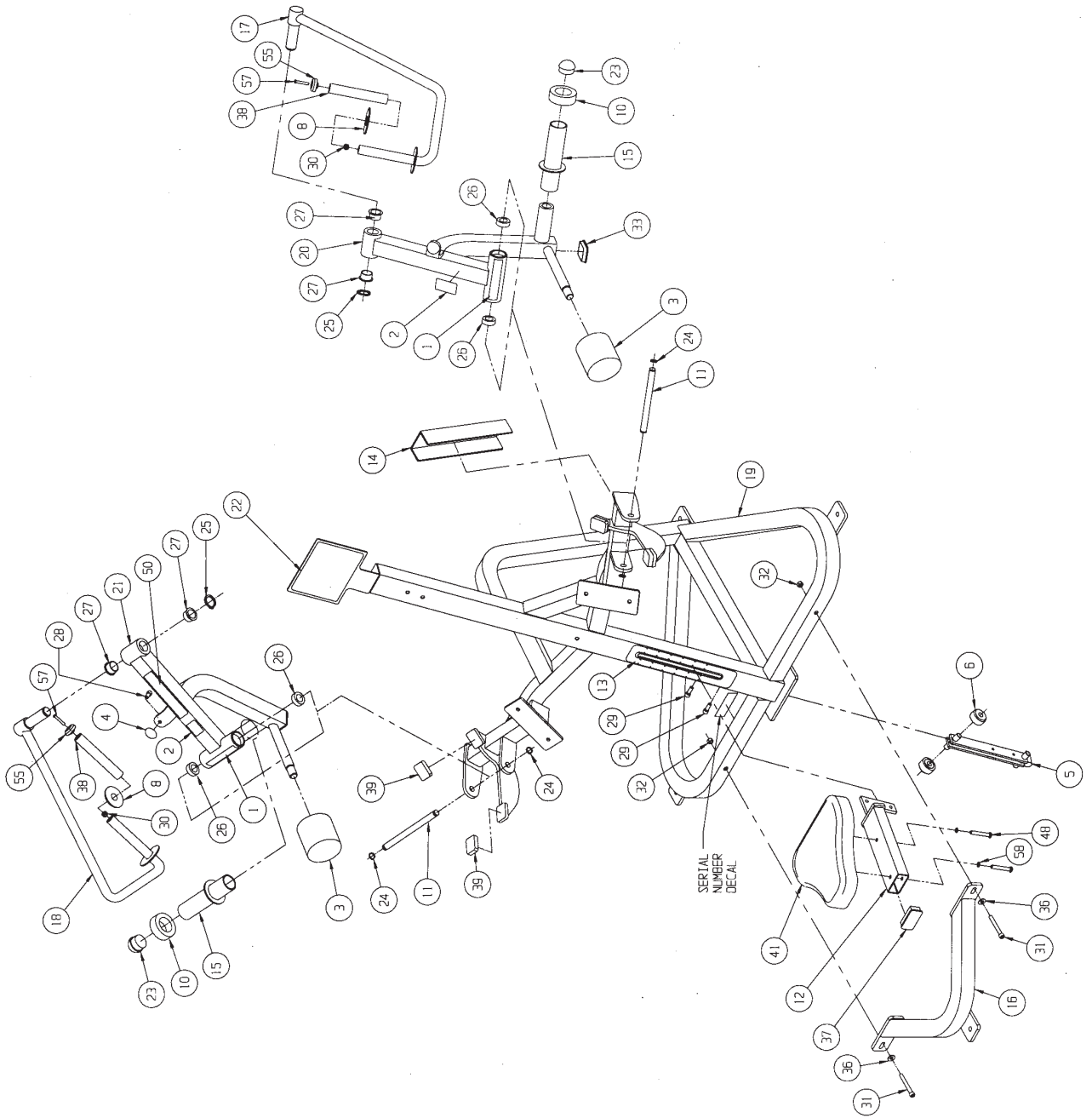
**NOTE:** See exploded-view diagram for item N (serial number decal).

DESCRIPTION	PART NO.	DESCRIPTION	PART NO.
A. Caution Decal .....	4000Y316	I. Wear Cover (Item H) .....	██████████
B. Seat Adjustment Decal .....	5221-316	J. Arm Cushion (LH) w/Wear Cover .....	5281-004
C. Placard Decal .....	5286-342	K. Wear Cover (Item J) .....	5281-011
D. Grip 6" Long .....	4605-500	L. Arm Cushion (RH) w/Wear Cover .....	5281-005
E. Cybex Decal <b>Black</b> .....	3900-445	M. Wear Cover (Item L) .....	5281-012
E. Cybex Decal <b>Silver</b> .....	3900-446	N. Serial Number Decal	
F. Warning Decal .....	5220-364	O. Caution Decal .....	4520-362
G. Seat Cushion .....	4800-026		
H. Back Cushion w/Wear Cover .....	██████████		

5286 - Arm Extension

ITEM	QTY	PART NO.	DESCRIPTION
1			Removed 7-03
1	2	3900-445	Cybex Decal 1.00 Horiz. Black
1	2	3900-446	Cybex Decal 1.00 Horiz. Silver
2	2	4000Y316	Caution Decal
3	2	4505-318	Counterweight
4	2	4505-331	Bumper 1.50 DIA
5	1	4520-212	Seat Roller
6	2	4520-331	Roller
7			Removed
8	2	4540-321	Handle Bumper
9			Removed 7-03
10	2	5220-367	Spacer
11	2	5220-320	Pivot Shaft 7.06
12	1	5221-204	Seat Support
13	1	5221-316	Seat Adjustment Decal
14	1	5226-316	Machined Bumper
15	2	5255-204	Weight Tube
16	1	5280-203	Front Support
17	1	5285-253	Pull Handle (Left Hand)
18	1	5285-254	Pull Handle (Right Hand)
19	1	5286-240	Frame
20	1	5286-241	Arm (Left Hand)
21	1	5286-242	Arm (Right Hand)
22	1	5286-342	Placard Decal
23	2	5330M040	Plug
24	4	BR030210	Retaining Ring 17 mm
25	2	BR030211	Retaining Ring 1.125 Ext.
26	4	FB030232	Radial Bearing 17 mm ID
27	4	FB050224	Flange Bearing 1.12 x 1.28 x .75 L
28	2	HC702815	SHCS .375-16 x .750
29	2	HC702817	SHCS .375-16 x 1.00
30	2	HF449063	Connector Insert 3/4 x1/4-20
31	2	HC702834	SHCS .375-16 x 3.00
32	2	HN704901	Nylon Locknut .375-16
33	2	PP090210	Plastic Insert 2.00 Sq x 10-14 G
34			Removed
35	1		Wear Cover for item #40
36	2		Washer SAE .375
37	1	PP090202	Plastic Insert 1.5 x 3.0 x 11 G
38	2	4605-500	Grip 6" L
39	4	PL0000003	Bumper
40	1		Back Cushion w/ Wear Cover
41	1	4605-526	Seat Cushion
42	1	5281-004	Arm Cushion (LH) w/Wear Cover
43	1	5281-005	Arm Cushion (RH) w/ Wear Cover
44	1	5281-012	Wear Cover for item #43
45	1	5281-011	Wear Cover for item #42
46	4	JC700420	BHSCS .375-16 x 1.25
47	2	JC700434	BHSCS .375-16 x 3.00
48	2	HC700430	BHSCS .375-16 x 2.50
49			Removed
50	1	5220-364	Warning Decal
51	1	4520-213	Bracket
52	1	4520-362	Caution Decal
53	2	HS347700	Washer USS .375
54	2	JC702812	SHCS .375-16 x .50
55	2	11090-374	End Cap
56	1	51198	Strength Warranty Sheet (not shown)
57	2	JC620422	BHSCS .250-20 x 1.50
58	8	JS347400	Internal Tooth Lockwasher

5286 - Arm Extension



5286 - Arm Extension

