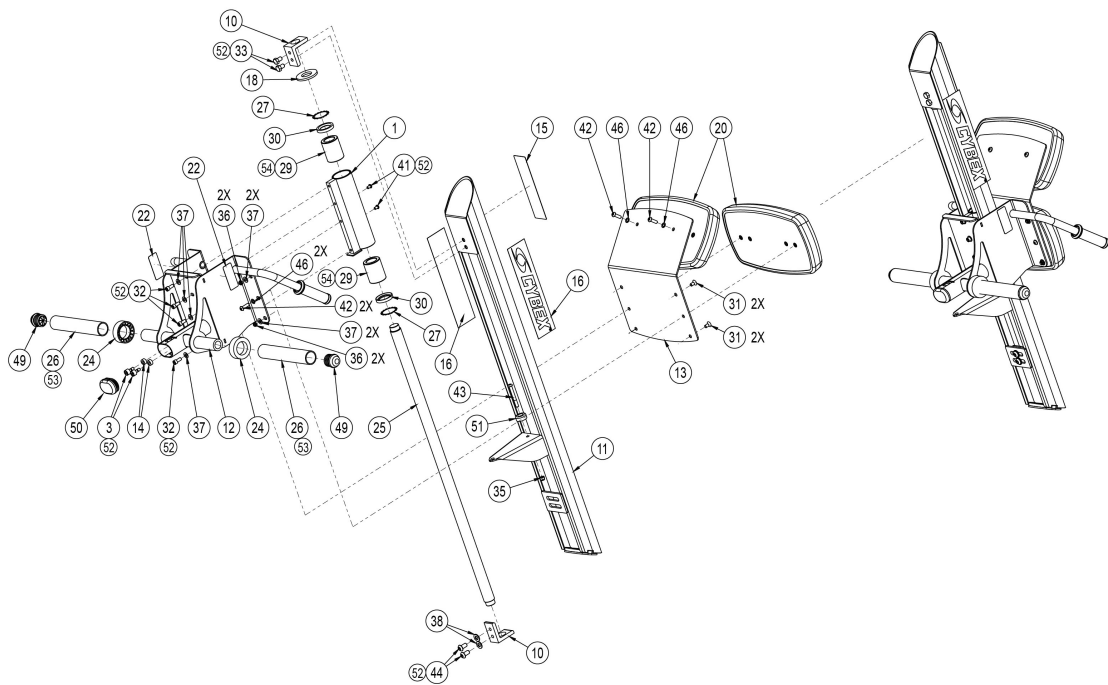


2	01023	WEIGHT ROD .625 DIA X 22.50	
4	01549	PLATED GUIDE ROD COLLET	
5	11040-790	DECAL, MADE IN USA	
6	11090-374	END CAP	
7	11090-376	RING, HANDLE GRIP	
8	12120-326	NON-SLIP	
9	16010-311	FOOT PAD	
11	16290-200	WELDED FRAME	
19	4605-501	GRIP 1.38 OD X .96 ID 5.00 □	
23	DE000001-1	DECAL, WARNING	GERMAN
23	DE000001-2	DECAL, WARNING	FRENCH
23	DE000001-3	DECAL, WARNING	SPANISH
23	DE000001-4	DECAL, WARNING	ENGLISH
23	DE000001-6	DECAL, WARNING	JAPANESE
23	DE000001-7	DECAL, WARNING	SWEDISH
23	DE000001-8	DECAL, WARNING	RUSSIAN
23	DE000001-A	DECAL, WARNING	DANISH
23	DE000001-D	DECAL, WARNING	DUTCH
28	CM000246	DECAL, CAPACITY	
34	HF449063	INSERT 3/4 X 1/4-20	
39	HY623410	SET SC .250-20 X .38 NYLON PT	
40	JC620422	BHSCS .250-20 x 1.50	
45	JC782815	SHCS .500-13 X .75	
47	JS388300	SPLIT LOCKWASHER .500	
48	PP130002	INSERT, DOMED PLASTIC	
52	YA000201	ADH, THRD LKR, REM NO. 242	
K1	11090K006	KIT. HANDLE END CAPS	

16290 Rail Assembly



1	01015	COATED BEARING SLEEVE	
3	01029	HEX SOCKET CAM FOLLOWER	
10	16110-351	SHAFT MOUNT	
11	16290-200	WELDED FRAME	
12	16290-201	W/SEAT SLIDE	
13	16290-336	SEAT PLATE	
14	16290-358	SPACER	
15	16290-598-1	PLACARD, PLATE LOADED 60 DEGREE CALF	GERMAN
15	16290-598-2	PLACARD, PLATE LOADED 60 DEGREE CALF	FRENCH
15	16290-598-3	PLACARD, PLATE LOADED 60 DEGREE CALF	SPANISH
15	16290-598-4	PLACARD, PLATE LOADED 60 DEGREE CALF	ENGLISH
15	16290-598-6	PLACARD, PLATE LOADED 60 DEGREE CALF	JAPANESE
15	16290-598-7	PLACARD, PLATE LOADED 60 DEGREE CALF	SWEDISH
15	16290-598-8	PLACARD, PLATE LOADED 60 DEGREE CALF	RUSSIAN
15	16290-598-A	PLACARD, PLATE LOADED 60 DEGREE CALF	DANISH
15	16290-598-D	PLACARD, PLATE LOADED 60 DEGREE CALF	DUTCH
16	3900-447	DECAL CYBEX 1.94 HOR BLACK	
16	3900-448	DECAL CYBEX 1.94 HOR SILVER	
18	4540-321	BUMPER, HANDLE	
20	4800-188	SEAT PAD	
22	5220-337	DECAL, WARNING	
24	5220-367	SPACER, PLASTIC	
25	5321-302	SHAFT	
26	5341-365	P/WEIGHT TUBE	
27	BR030203	RETAINING RING	
29	FB110200	BRG, LINEAR 1.50	
30	FS110200	SEAL, LINEAR BEARING	
31	HC700915	FHSCS .375-16 X .75	
32	HC702816	SHCS .375-16 X .875	
33	HC781215	HX HD CAP SC .500-13 x .75	
35	HN704901	LOCKNUT, .375-16 NYLON	
36	HN704902	LOCKNUT, .375-16 NYLON	
37	HS347600	WASHER, SAE .375	
38	HS387700	WASHER, SAE .500	
41	JC660412	BHSCS .312-18 X .50	
42	JC700420	BHSCS .375-16 X 1.25	
43	JC700436	BHSCS .375-16 X 3.25	
44	JC780417	BHSCS .500-13 X 1.00	
46	JS347400	LOCKWASHER, INT TOOTH .375	
49	PP130006	INSERT, PLASTIC END	
50	PP130007	INSERT, DOMED PLASTIC	
51	PR060003	BUMPER, RECESS	
52	YA000201	ADH, THRD LKR, REM NO. 242	
53	YA000226	LOCTITE #680 .5 MI	
54	YG000002	PLEASE USE WHITE LITHIUM GREASE	