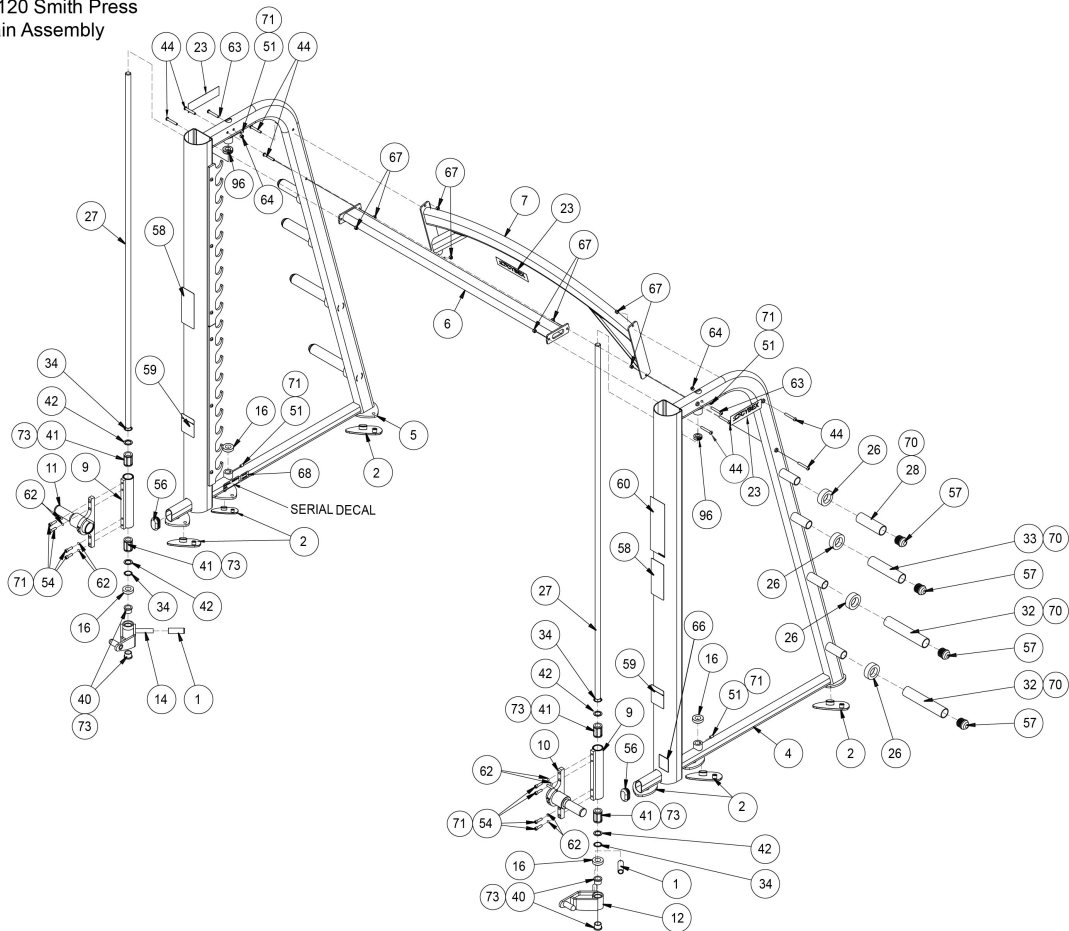


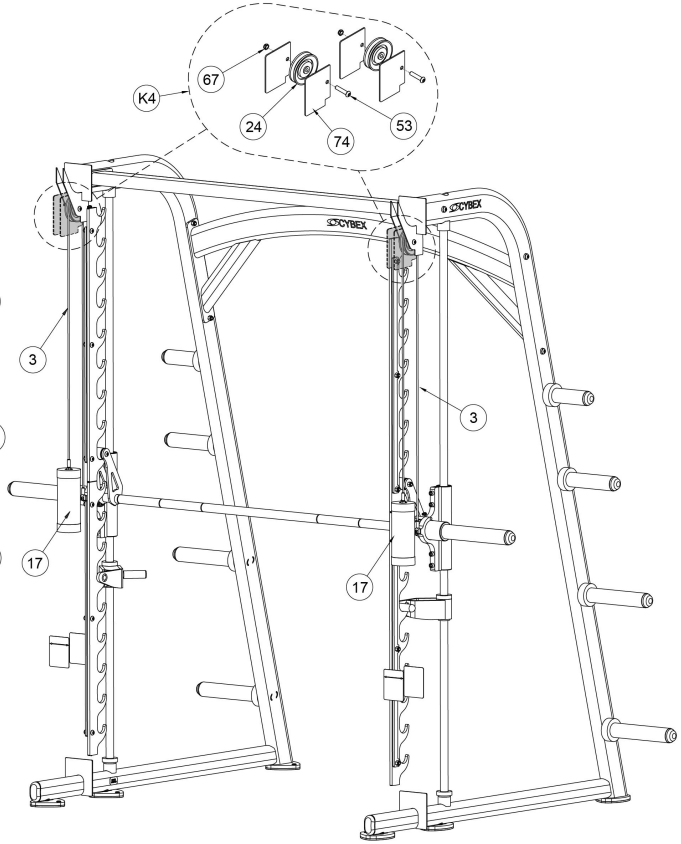
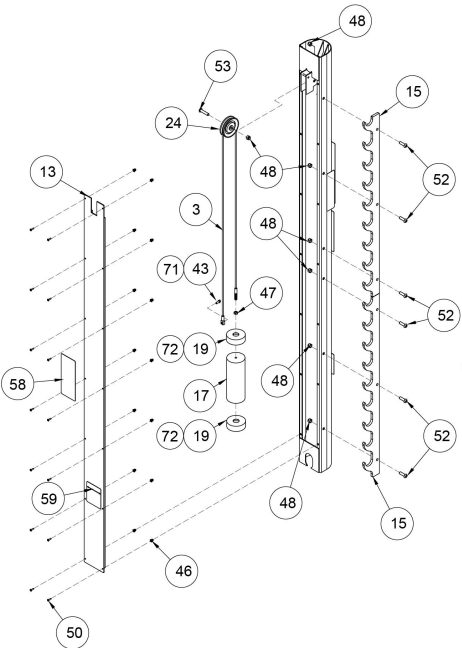
16120 Smith Press Main Assembly



| | | | |
|----|------------------|---|----------|
| 1 | 11090-385 | GRIP | |
| 2 | 16010-311 | FOOT PAD | |
| 4 | 16120-200 | FRAME LH | |
| 5 | 16120-201 | FRAME RH | |
| 6 | 16120-202 | FRAME MOUNT | |
| 7 | 16120-203 | FRAME MOUNT | |
| 9 | 16120-205 | BEARING HOUSING | |
| 10 | 16120-206 | WEIGHT BAR BRACKET LH | |
| 11 | 16120-207 | WEIGHT BAR BRACKET RH | |
| 12 | 16120-208 | CATCH LH | |
| 14 | 16120-211 | CATCH RH | |
| 16 | 16120-318 | BUSHING | |
| 23 | 3900-443 | DECAL, CYBEX 1.00 HOR (BLACK) | |
| 23 | 3900-444 | DECAL, CYBEX 1.00 HOR (SILVER) | |
| 26 | 5220-367 | SPACER, PLASTIC | |
| 27 | 5340M042 | SHAFT 1.00 DIA X 79.88 | |
| 28 | 5340P003 | WEIGHT TUBE 6.00 | |
| 32 | 5490P009 | WEIGHT TUBE 10.00 | |
| 33 | 5490P010 | WEIGHT TUBE 8.00 | |
| 34 | BR030204 | RETAIN RING LINEAR BRG 1.00 | |
| 40 | FB050226 | BEARING,FLANGE 1.000 ID x 1.25 OD x 1.00 LG | |
| 41 | FB110201 | BRG, RADIAL | |
| 42 | FS110201 | SEAL, LINEAR BRG 1.00 | |
| 44 | HC700430 | BHSCS .375-16 X 2.50 | |
| 48 | HN704901 | LOCKNUT, .375-16 NYLON | |
| 51 | HY623410 | SET SC .250-20 X .38 NYLON PT | |
| 54 | JC702821 | SHCS .375-16 X 1.375 | |
| 56 | PP130003 | INSERT, DOMED PLASTIC | |
| 57 | PP130006 | INSERT, PLASTIC END | |
| 58 | 16120-340-1 | DECAL, WARNING | GERMAN |
| 58 | 16120-340-2 | DECAL, WARNING | FRENCH |
| 58 | 16120-340-3 | DECAL, WARNING | SPANISH |
| 58 | 16120-340-4 | DECAL, WARNING | ENGLISH |
| 58 | 16120-340-6 | DECAL, WARNING | JAPANESE |
| 58 | 16120-340-7 | DECAL, WARNING | SWEDISH |
| 58 | 16120-340-8 | DECAL, WARNING | RUSSIAN |
| 58 | 16120-340-A | DECAL, WARNING | DANISH |
| 58 | 16120-340-D | DECAL, WARNING | DUTCH |
| 59 | 16120-341-1 | DECAL WARNING | GERMAN |
| 59 | 16120-341-2 | DECAL WARNING | FRENCH |
| 59 | 16120-341-3 | DECAL WARNING | SPANISH |
| 59 | 16120-341-4 | DECAL WARNING | ENGLISH |
| 59 | 16120-341-6 | DECAL WARNING | JAPANESE |
| 59 | 16120-341-7 | DECAL WARNING | SWEDISH |
| 59 | 16120-341-8 | DECAL WARNING | RUSSIAN |
| 59 | 16120-341-A | DECAL WARNING | DANISH |
| 59 | 16120-341-D | DECAL WARNING | DUTCH |
| 60 | 16120-598-1 | PLACARD (SMITH PRESS) | GERMAN |
| 60 | 16120-598-2 | PLACARD (SMITH PRESS) | FRENCH |

| | | | |
|----|-----------------|---------------------------------|----------|
| 60 | 16120-598-3 | PLACARD (SMITH PRESS) | SPANISH |
| 60 | 16120-598-4 | PLACARD (SMITH PRESS) | ENGLISH |
| 60 | 16120-598-6 | PLACARD (SMITH PRESS) | JAPANESE |
| 60 | 16120-598-7 | PLACARD (SMITH PRESS) | SWEDISH |
| 60 | 16120-598-8 | PLACARD (SMITH PRESS) | RUSSIAN |
| 60 | 16120-598-A | PLACARD (SMITH PRESS) | DANISH |
| 60 | 16120-598-D | PLACARD (SMITH PRESS) | DUTCH |
| 62 | HS348300 | LOCKWASHER SPLIT .375 | |
| 63 | HC620431 | BHSCS .250-20 X 2.00 | |
| 64 | HN625200 | LOCKNUT .250-20 NYLON HVY | |
| 66 | 11040-790 | DECAL, MADE IN USA | |
| 67 | HN704902 | LOCKNUT, .375-16 NYLON | |
| 68 | CM000251 | DECAL, CAPACITY | |
| 69 | FC030201 | LOCK COLLAR | |
| 70 | YA000226 | LOCTITE #680 .5 MI | |
| 71 | YA000201 | ADH, THRD LKR, REM NO. 242 | |
| 73 | YG000002 | PLEASE USE WHITE LITHIUM GREASE | |

16120 Smith Press Cable Routing



| | | | |
|----|------------------|------------------------------|----------|
| 3 | 16120-002 | CABLE ASSEMBLY | |
| 13 | 16120-209 | BACKING PLATE | |
| 15 | 16120-308 | PLATE, MOUNTING HOOKS | |
| 17 | 16120-351 | COUNTERWEIGHT | |
| 19 | 16120-344 | CAPLUG, MODIFIED | |
| 24 | 4400-354 | PULLEY ASSEMBLY - 3.50 | |
| 43 | HC621215 | HX HD CAP .250-20 X 7.50 | |
| 46 | HF540200 | GROMMET, NYLON | |
| 47 | HN704400 | NUT, HEX JAM .375-16 | |
| 48 | HN704901 | LOCKNUT, .375-16 NYLON | |
| 50 | HT542514 | PN HD PHIL SC # 8 X .625 BLK | |
| 52 | JC700420 | BHSCS .375-16 X 1.25 | |
| 53 | JC700424 | BHSCS .375-16 X 1.75 | |
| 58 | 16120-340-1 | DECAL, WARNING | GERMAN |
| 58 | 16120-340-2 | DECAL, WARNING | FRENCH |
| 58 | 16120-340-3 | DECAL, WARNING | SPANISH |
| 58 | 16120-340-4 | DECAL, WARNING | ENGLISH |
| 58 | 16120-340-6 | DECAL, WARNING | JAPANESE |
| 58 | 16120-340-7 | DECAL, WARNING | SWEDISH |
| 58 | 16120-340-8 | DECAL, WARNING | RUSSIAN |
| 58 | 16120-340-A | DECAL, WARNING | DANISH |
| 58 | 16120-340-D | DECAL, WARNING | DUTCH |
| 59 | 16120-341-1 | DECAL WARNING | GERMAN |
| 59 | 16120-341-2 | DECAL WARNING | FRENCH |
| 59 | 16120-341-3 | DECAL WARNING | SPANISH |
| 59 | 16120-341-4 | DECAL WARNING | ENGLISH |
| 59 | 16120-341-6 | DECAL WARNING | JAPANESE |
| 59 | 16120-341-7 | DECAL WARNING | SWEDISH |
| 59 | 16120-341-8 | DECAL WARNING | RUSSIAN |
| 59 | 16120-341-A | DECAL WARNING | DANISH |
| 59 | 16120-341-D | DECAL WARNING | DUTCH |
| 67 | HN704902 | LOCKNUT, .375-16 NYLON | |
| 71 | YA000201 | ADH, THRD LKR, REM NO. 242 | |
| 72 | YA000206 | PLEASE USE LOCTITE 495 | |
| 74 | 16121-301 | PLATE | |
| K4 | 16120K006 | KIT, PULLEY GUARD | |

| | | | |
|----|------------------|------------------------------------|----------|
| 8 | 16120-204 | WEIGHT BAR | |
| 10 | 16120-206 | WEIGHT BAR BRACKET LH | |
| 11 | 16120-207 | WEIGHT BAR BRACKET RH | |
| 20 | 16120-345 | SPACER | |
| 21 | 16120-346 | BEARING HOUSING | |
| 30 | 5341-340 | SPACER | |
| 31 | 5341-365 | P/WEIGHT TUBE | |
| 35 | BR030222 | INTERNAL RETAINING RING, 52 MM | |
| 36 | BR030223 | EXTERNAL RETAINING RING, 25 MM | |
| 38 | FB030234 | BEARING, RADIAL | |
| 39 | FB030257 | BEARING, RADIAL 10MM EXTENDED RACE | |
| 45 | HC700432 | BHSCS .375-16 X 2.75 | |
| 48 | HN704901 | LOCKNUT, .375-16 NYLON | |
| 57 | PP130006 | INSERT, PLASTIC END | |
| 65 | 4000Y316-1 | DECAL, CAUTION | GERMAN |
| 65 | 4000Y316-2 | DECAL, CAUTION | FRENCH |
| 65 | 4000Y316-3 | DECAL, CAUTION | SPANISH |
| 65 | 4000Y316-4 | DECAL, CAUTION | ENGLISH |
| 65 | 4000Y316-6 | DECAL, CAUTION | JAPANESE |
| 65 | 4000Y316-7 | DECAL, CAUTION | SWEDISH |
| 65 | 4000Y316-8 | DECAL, CAUTION | RUSSIAN |
| 65 | 4000Y316-A | DECAL, CAUTION | DANISH |
| 65 | 4000Y316-D | DECAL, CAUTION | DUTCH |
| 70 | YA000226 | LOCTITE #680 .5 MI | |
| 71 | YA000201 | ADH, THRD LKR, REM NO. 242 | |
| K1 | 16120K003 | KIT, SMITH PRESS ROLLER ASSEMBLY | |
| K2 | 16120K005 | KIT, SMITH PRESS BAR END -RH | |
| K3 | 16120K004 | KIT, SMITH PRESS BAR END -LH | |