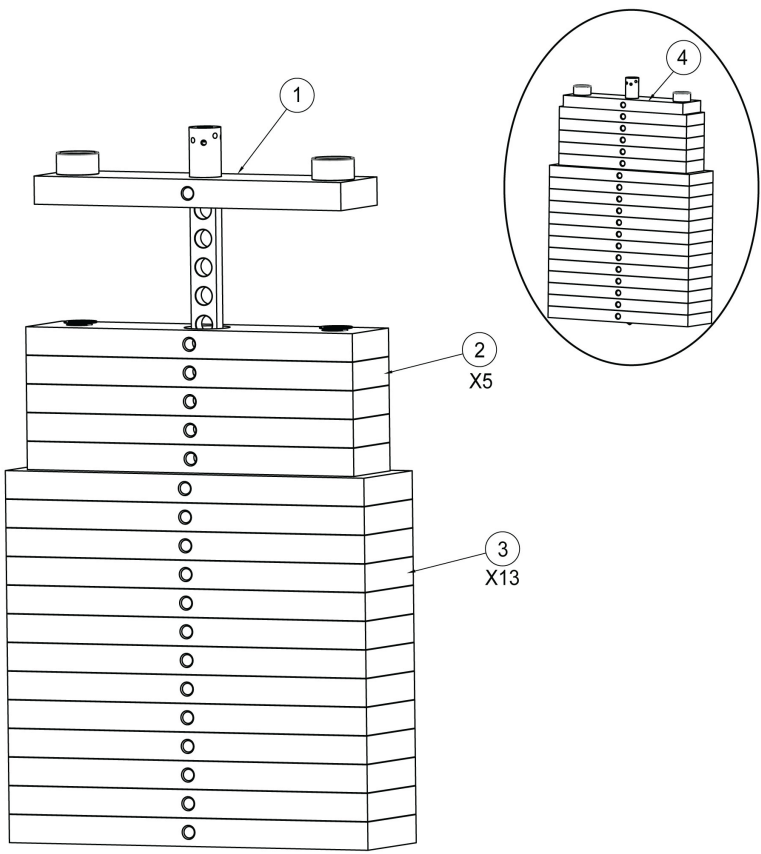
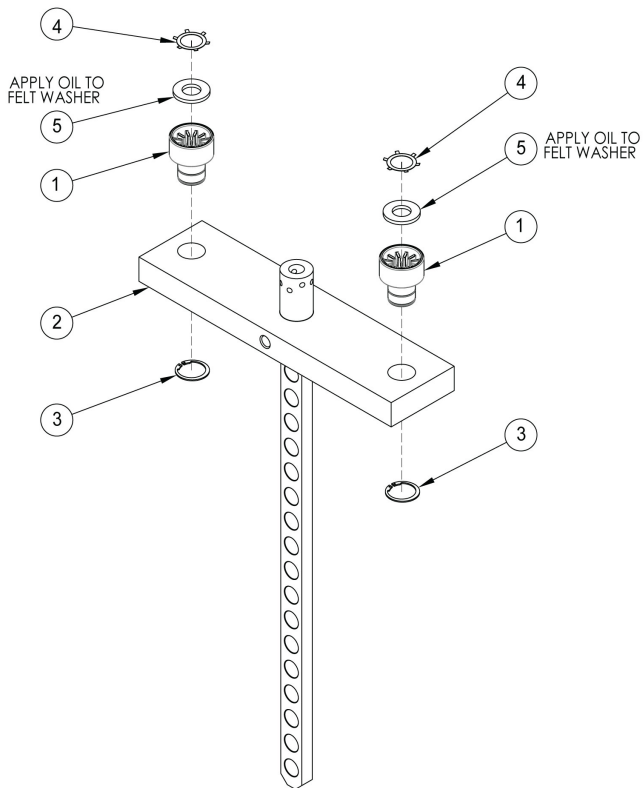


17001-005 Weight Pack Assembly



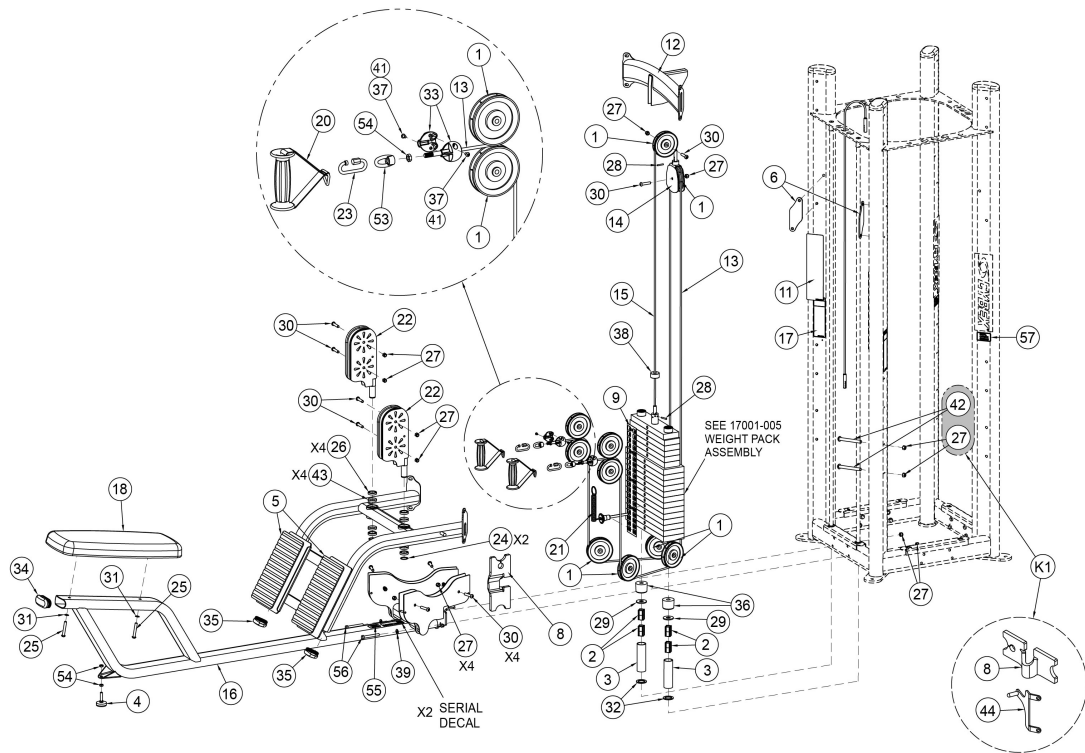
1	17001-009	TOP WEIGHT LIFTING POST
2	4700-337	WEIGHT PLATE 10 LB
3	4700-338	WEIGHT PLATE 15 LB
4	17001-005	TOP WEIGHT ASSEMBLY

17001-009 Lifting Post Assembly Detail



1	13000-364	BEARING, FLANGE .62 ID. x .92 OD. x 1.75 LG
2	4700-241	TOP WEIGHT ASSEMBLY
3	BR030206	RING, RETAINING
4	BR030220	RETAINING RING 1.250 INTERNAL
5	HS720004	WASHER, FELT .641 ID X 1.250 OD X .125T

17042 Dual Handle Row



1	08014	PULLEY ASSEMBLY, 4.50 IN.	
2	12210-352	PLASTIC INSERT	
3	12210-359	SPACER TUBE	
4	HG700022	LEVELING GLIDE, .375-16	
5	13040-335	NON-SLIP	
6	17000-331	PLATE	
8	17001-340	C/HALF WEIGHT 3 x 12	
9	17001-350	DECAL, WT PLATE GRADUATED (10 - 255)	
11	17030-598	PLACARD, ROW	
12	17031-201	W TOP PULLEY MOUNT	
13	17042-002	CABLE S/A	
14	17040-201	W PULLEY TAB	
15	17041-003	CABLE S/A	
16	17042-200	W MAIN FRAME	
17	DE000001-1	DECAL, WARNING	GERMAN
17	DE000001-2	DECAL, WARNING	FRENCH
17	DE000001-3	DECAL, WARNING	SPANISH
17	DE000001-4	DECAL, WARNING	ENGLISH
17	DE000001-6	DECAL, WARNING	JAPANESE
17	DE000001-7	DECAL, WARNING	SWEDISH
17	DE000001-8	DECAL, WARNING	RUSSIAN
17	DE000001-A	DECAL, WARNING	DANISH
17	DE000001-D	DECAL, WARNING	DUTCH
18	4800-400	CUSHION	
19	51198	WARRANTY BOOKLET (NOT SHOWN)	
20	8800-008	HANDLE ASSEMBLY	
21	BH030207	PIN, WEIGHT SELECTOR	
22	17042-203	PULLEY FRAME	
23	GQ000213	QUICK LINK	
24	BR030223	EXTERNAL RETAINING RING, 25 MM	
25	HC700430	BHSCS .375-16 X 2.50	
26	FB030255	BEARING RADIAL 25MM	
27	HN704901	LOCKNUT, .375-16 NYLON	
28	HP286819	SPIRAL PIN .188 X 1.12	
29	HS760106	WASHER, FLAT, 1.75 OD X .688 ID X .140 THK	
30	JC700424	BHSCS .375-16 X 1.75	
31	JS347400	LOCKWASHER, INT TOOTH .375	
32	JS497600	WASHER, 1.19 ID X 1.75 OD X .12 THK	
33	PP040004	BALL STOP	
34	PP130002	INSERT, DOMED PLASTIC	
35	PP130003	INSERT, DOMED PLASTIC	
36	PR060005	BUMPER, WEIGHT	
37	HM580410	10-32 X .25 LG	
38	13000-385	STOP	
39	HS347600	WASHER, SAE .375	
41	YA000201	ADH, THRD LKR, REM NO. 242	
42	JC700438	BHSCS .375-16 X 3.50	
43	FC030010	TOLERANCE RING 1.457 ID	
44	17030-205	W BRACKET, INCREMENT WEIGHT	

53	HN705618	EYE SOCKET NUT	
54	HN704400	NUT, HEX JAM .375-16	
55	CM000266	DECAL, CAPACITY	
56	HC701235	HHCS GR 8 .375-16 X 3.00	
57	DE000005-1	DECAL, CAUTION	GERMAN
57	DE000005-2	DECAL, CAUTION	FRENCH
57	DE000005-3	DECAL, CAUTION	SPANISH
57	DE000005-4	DECAL, CAUTION	ENGLISH
57	DE000005-6	DECAL, CAUTION	JAPANESE
57	DE000005-7	DECAL, CAUTION	SWEDISH
57	DE000005-8	DECAL, CAUTION	RUSSIAN
57	DE000005-A	DECAL, CAUTION	DANISH
57	DE000005-D	DECAL, CAUTION	DUTCH
K1	17030K003	KIT, JUNGLE GYM INCREMENT WEIGHT	

6	17000-331	PLATE
45	17001-200	W FRAME
46	17000-330	PLATE
47	17007-301	GUARD
48	3900-441	DECAL CYBEX, BLACK
48	3900-442	DECAL CYBEX, SILVER
49	HN704902	LOCKNUT, .375-16 NYLON
50	CM000202	DECAL, PATENT PENDING
51	JC700436	BHSCS .375-16 X 3.25
52	17007-001	BLANK STATION NARROW ASSEMBLY