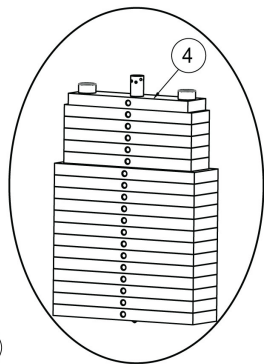
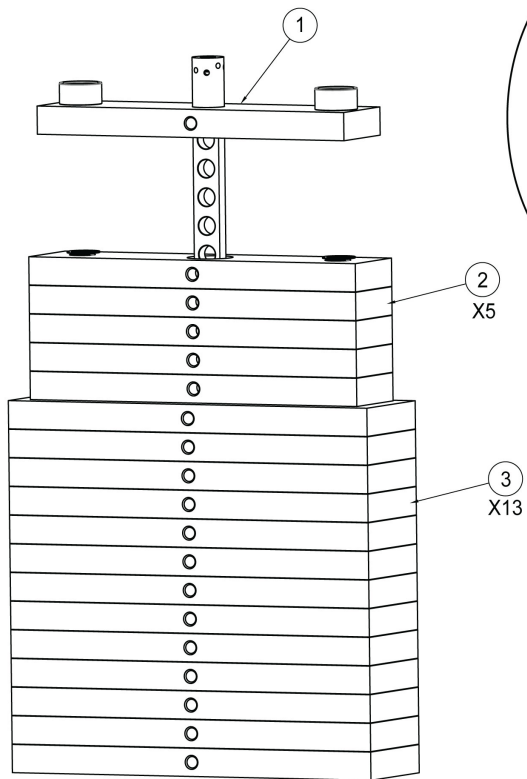
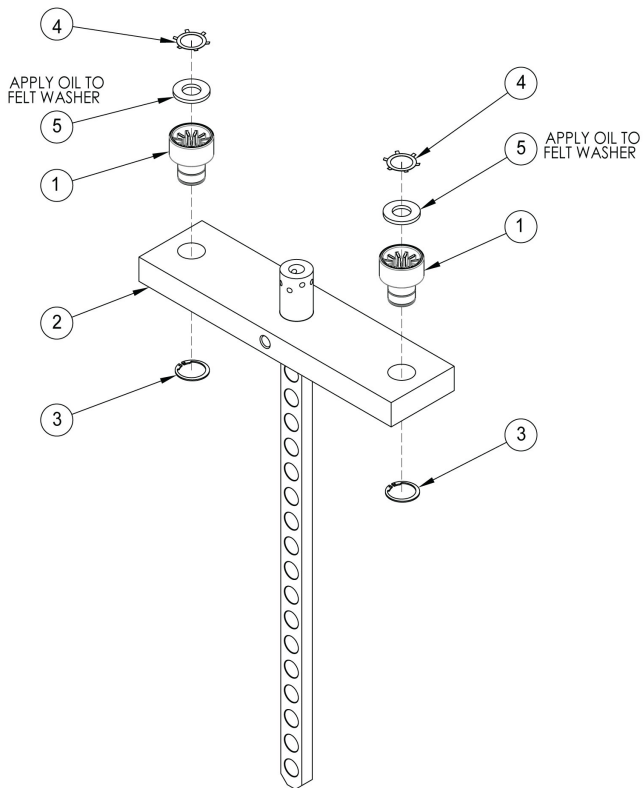


17001-005 Weight Pack Assembly



1	17001-009	TOP WEIGHT LIFTING POST
2	4700-337	WEIGHT PLATE 10 LB
3	4700-338	WEIGHT PLATE 15 LB
4	17001-005	TOP WEIGHT ASSEMBLY

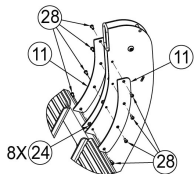
# 17001-009 Lifting Post Assembly Detail



1	<b>13000-364</b>	BEARING, FLANGE .62 ID. x .92 OD. x 1.75 LG
2	4700-241	TOP WEIGHT ASSEMBLY
3	<b>BR030206</b>	RING, RETAINING
4	<b>BR030220</b>	RETAINING RING 1.250 INTERNAL
5	<b>HS720004</b>	WASHER, FELT .641 ID X 1.250 OD X .125T

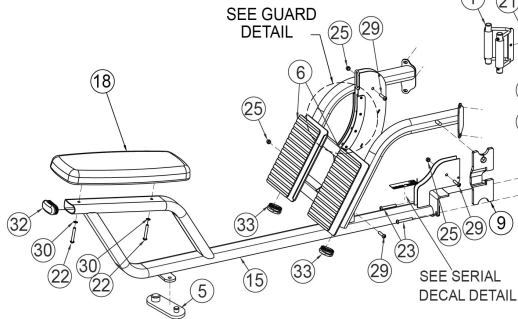


# 17031 Single Handle Row



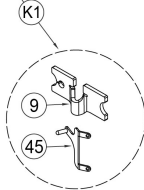
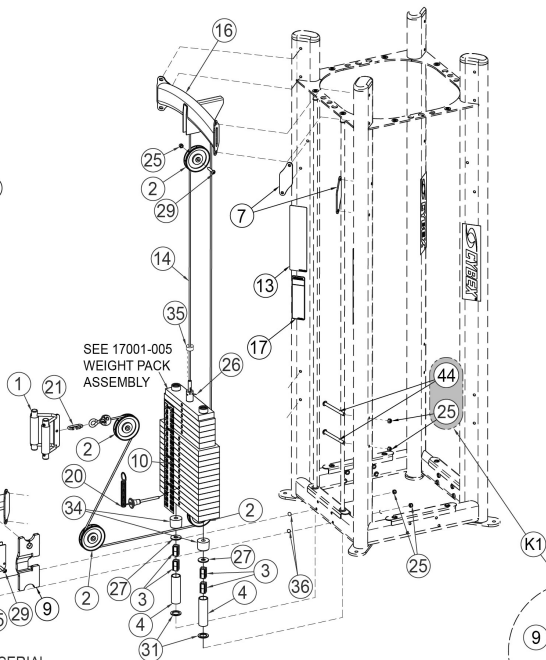
**GUARD DETAIL**  
SCALE 1:4

SEE GUARD  
DETAIL



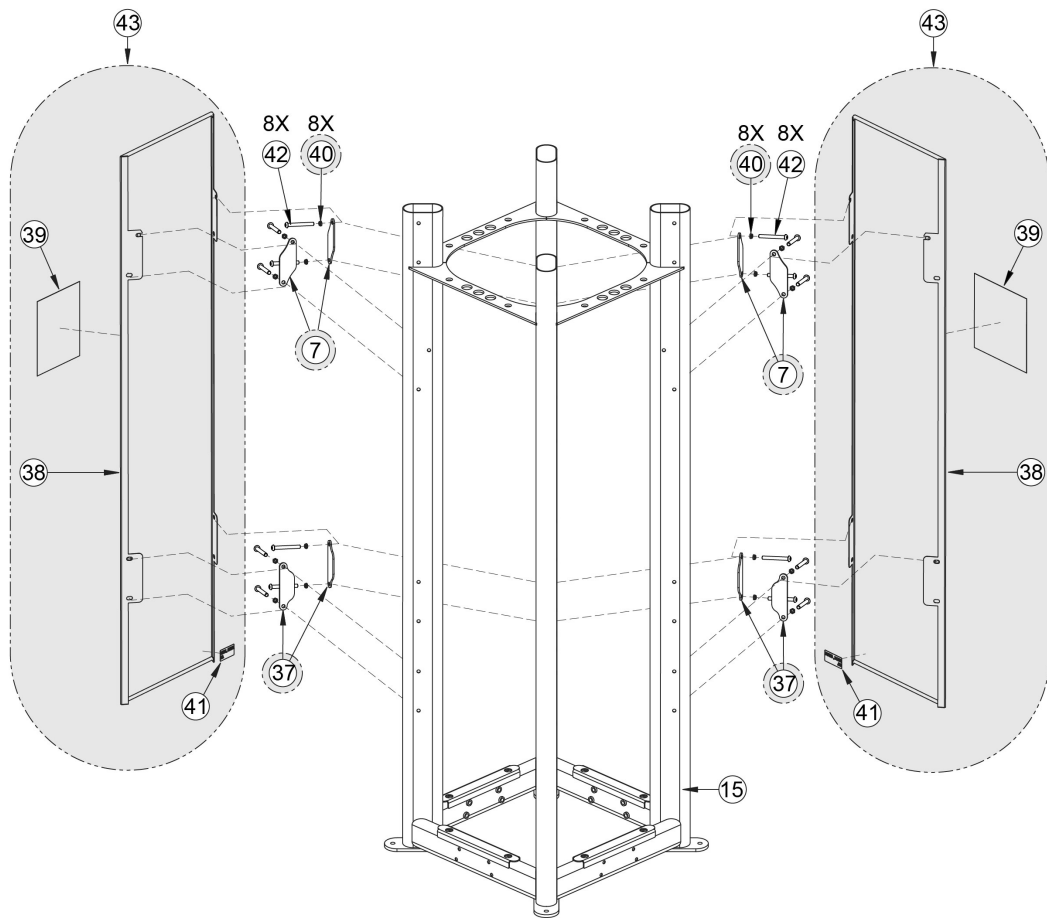
SEE SERIAL  
DECAL DETAIL

SEE 17001-005  
WEIGHT PACK  
ASSEMBLY



1	<b>01255</b>	HANDLE SUBASSEMBLY	
2	<b>08014</b>	PULLEY ASSEMBLY, 4.50 IN.	
3	<b>12210-352</b>	PLASTIC INSERT	
4	<b>12210-359</b>	SPACER TUBE	
5	13000-353	FOOT PAD	
6	13040-335	NON-SLIP	
7	17000-331	PLATE	
9	<b>17001-340</b>	C/HALF WEIGHT 3 x 12	
10	<b>17001-350</b>	DECAL, WT PLATE GRADUATED (10 - 255)	
11	<b>17030-322</b>	PLATE, GUARD	
13	<b>17030-598</b>	PLACARD, ROW	
14	<b>17031-002</b>	CABLE S/A	
15	17031-200	W FRAME	
16	17031-201	W TOP PULLEY MOUNT	
17	4605-381-1	DECAL, WARNING	GERMAN
17	4605-381-2	DECAL, WARNING	FRENCH
17	4605-381-3	DECAL, WARNING	SPANISH
17	<b>4605-381-4</b>	DECAL, WARNING	ENGLISH
17	4605-381-6	DECAL, WARNING	JAPANESE
17	4605-381-7	DECAL, WARNING	SWEDISH
17	4605-381-8	DECAL, WARNING	RUSSIAN
17	4605-381-A	DECAL, WARNING	DANISH
17	4605-381-D	DECAL, WARNING	DUTCH
18	4800-400	CUSHION	
19	51198	WARRANTY BOOKLET (NOT SHOWN)	NOT SHOWN
20	<b>BH030207</b>	PIN, WEIGHT SELECTOR	
21	<b>GQ000213</b>	QUICK LINK	
22	<b>HC700430</b>	BHSCS .375-16 X 2.50	
23	<b>HC701235</b>	HHCS GR 8 .375-16 X 3.00	
24	<b>HN575100</b>	LOCKNUT .190-No 10-24	
25	HN704003	LOCKNUT, .375-16 NYLON PATCH	
26	<b>HP286819</b>	SPIRAL PIN .188 X 1.12	
27	<b>HS760106</b>	WASHER, FLAT, 1.75 OD X .688 ID X .140 THK	
28	JCS70412	BHSCS .190 10-32 X .375	
29	<b>JC700424</b>	BHSCS .375-16 X 1.75	
30	<b>JS347400</b>	LOCKWASHER, INT TOOTH .375	
31	<b>JS497600</b>	WASHER, 1.19 ID X 1.75 OD X .12 THK	
32	<b>PP130002</b>	INSERT, DOMED PLASTIC	
33	<b>PP130003</b>	INSERT, DOMED PLASTIC	
34	<b>PR060005</b>	BUMPER, WEIGHT	
35	<b>13000-385</b>	STOP	
36	<b>HS347600</b>	WASHER, SAE .375	
44	JC700438	BHSCS .375-16 X 3.50	
45	17030-205	W BRACKET, INCREMENT WEIGHT	
K1	17030K003	KIT, JUNGLE GYM INCREMENT WEIGHT	

# 17031 Single Handle Row Panel Assembly



7	17000-331	PLATE
15	17001-200	W FRAME
37	17000-330	PLATE
38	17007-301	GUARD
39	3900-441	DECAL CYBEX, BLACK
39	3900-442	DECAL CYBEX, SILVER
40	HN704902	LOCKNUT, .375-16 NYLON
41	CM000202	DECAL, PATENT PENDING
42	JC700436	BHSCS .375-16 X 3.25
43	17007-001	BLANK STATION NARROW ASSEMBLY