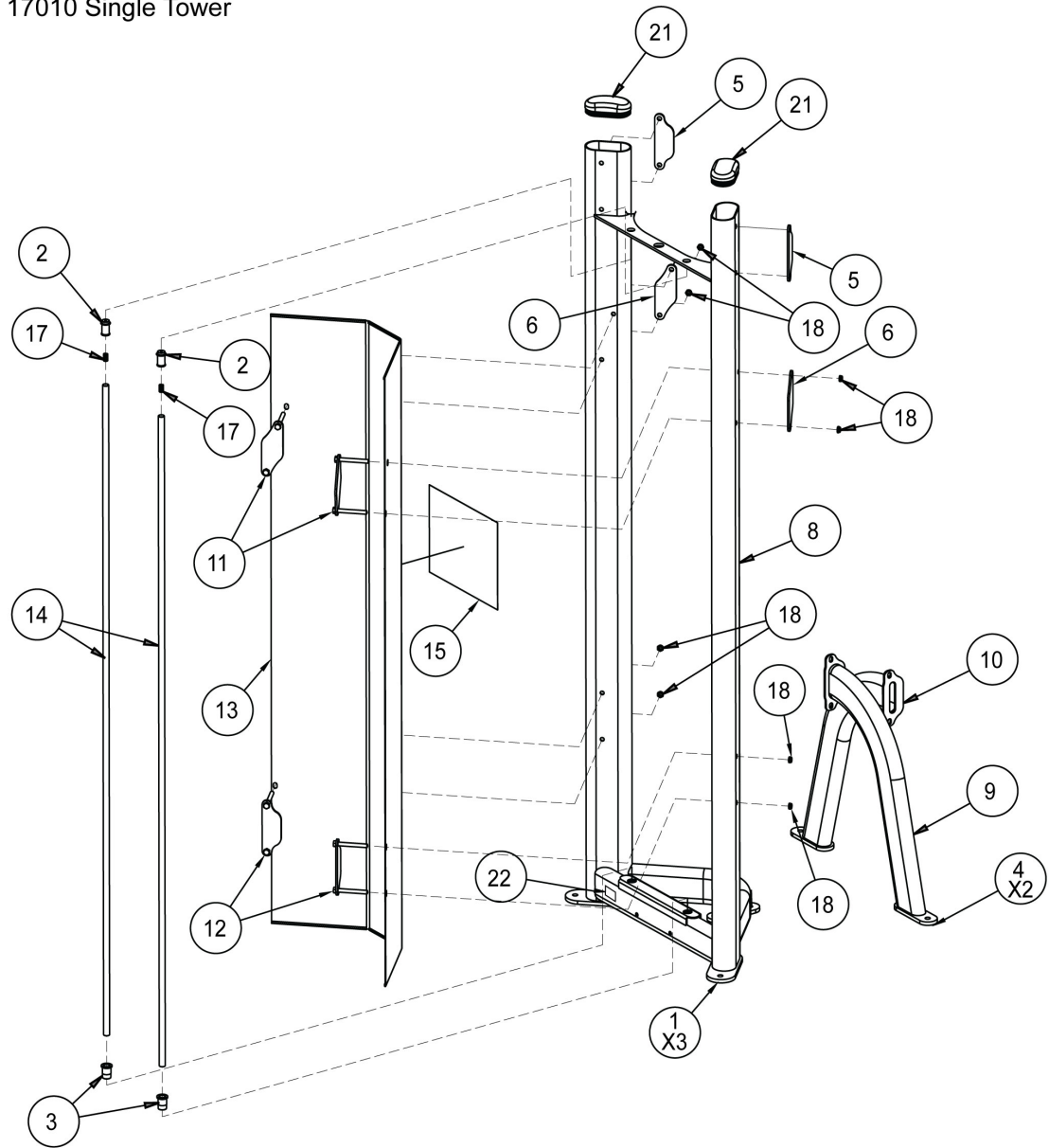


# 17010 Single Tower



|    |                  |                                    |
|----|------------------|------------------------------------|
| 1  | <b>12090-322</b> | PAD FOOT                           |
| 2  | <b>12210-347</b> | GUIDE ROD CAP                      |
| 3  | <b>12210-348</b> | GUIDE ROD CAP                      |
| 4  | <b>17000-320</b> | FOOT PAD                           |
| 5  | 17000-330        | PLATE                              |
| 6  | 17000-331        | PLATE                              |
| 7  | 17000-999        | OWNERS MANUAL JUNGLE GYM NOT SHOWN |
| 8  | 17010-200        | FRAME                              |
| 9  | 17010-201        | W SUPPORT                          |
| 10 | 17010-202        | W SUPPORT                          |
| 11 | 17010-203        | MOUNTING PLATE                     |
| 12 | 17010-204        | MOUNTING PLATE                     |
| 13 | 17010-310        | GUARD, FORMED                      |
| 14 | <b>17030-325</b> | GUIDE ROD                          |
| 15 | <b>3900-441</b>  | DECAL CYBEX, <b>BLACK</b>          |
| 15 | 3900-442         | DECAL CYBEX, SILVER                |
| 17 | <b>BS070208</b>  | COMPRESSION SPRING                 |
| 18 | <b>HN704902</b>  | LOCKNUT, .375-16 NYLON             |
| 21 | <b>PP130008</b>  | INSERT, DOMED PLASTIC              |
| 22 | 11040-790        | DECAL, MADE IN U.S.A.              |
| 23 | <b>HN704901</b>  | LOCKNUT, .375-16 NYLON             |
| 24 | JC700436         | BHSCS .375-16 X 3.25               |