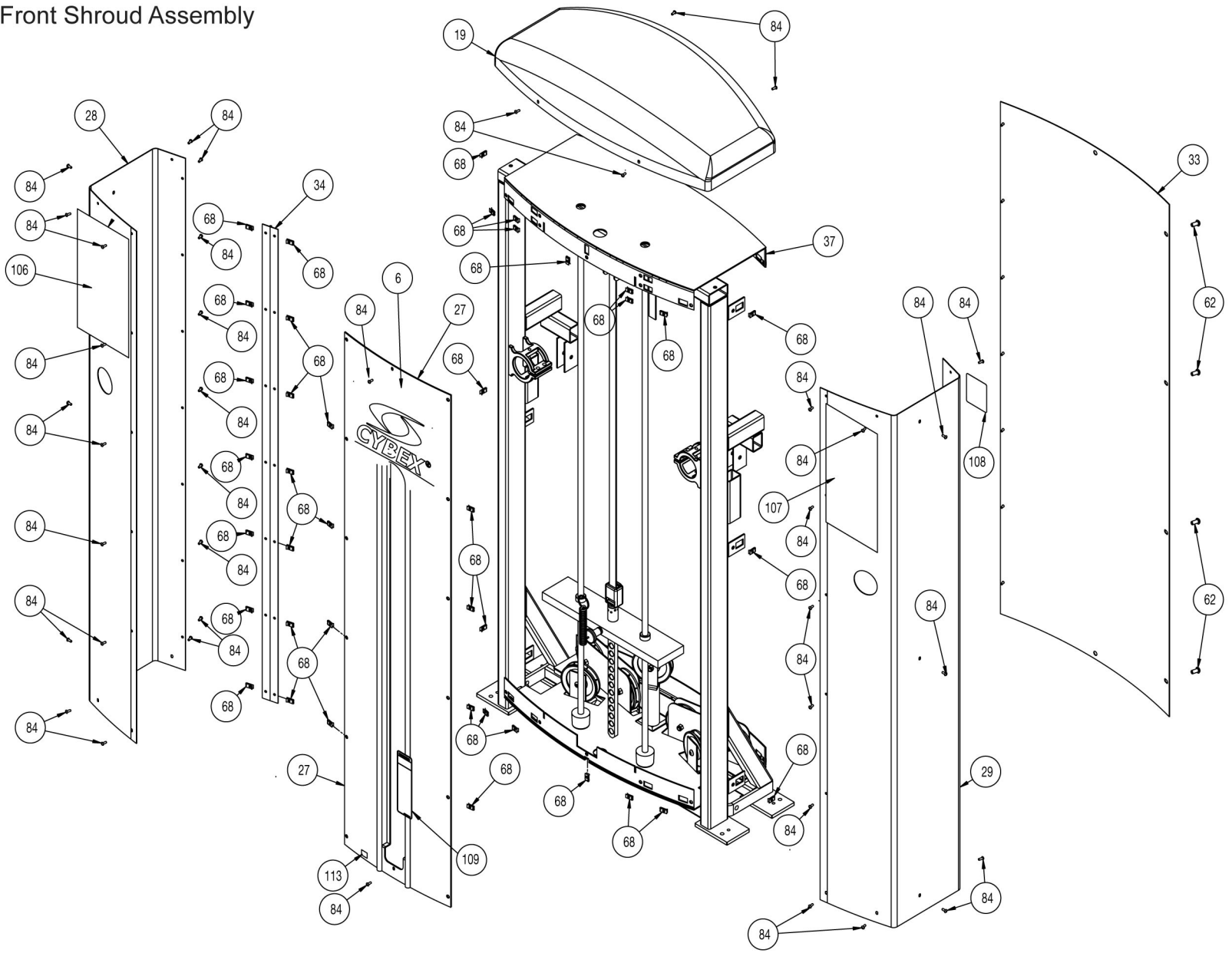


<u>Bulb Number</u>	<u>Part Number</u>	<u>Description</u>
1	8014	PULLEY ASSEMBLY, 4.50 IN.
4	11040-301	Clamp Block Insert
7	4605-323	WT ROD .625 DIA x 45.00
37	9101-200	W MAIN FRAME
39	9101-204	P/BELT CLAMP
40	9101-300	SPRING, EXTENSION 1.671 x 1.995 x 26.00 LG
46	BR030214	RETAINING RING, .625 DIA
58	GB000202	BELT .95 WIDE, SEE DRAWING FOR LENGTH
60	GP000209	PULLEY ASSEMBLY
64	HC700428	BHSCS .375-16 X 2.25
73	HN704901	LOCKNUT, .375-16 NYLON
79	HS407100	WASHER, SPRING .650 ID x .790 OD x .062 THK
86	HY740000	Set Screw
89	JC700434	BHSCS .375-16 X 3.00

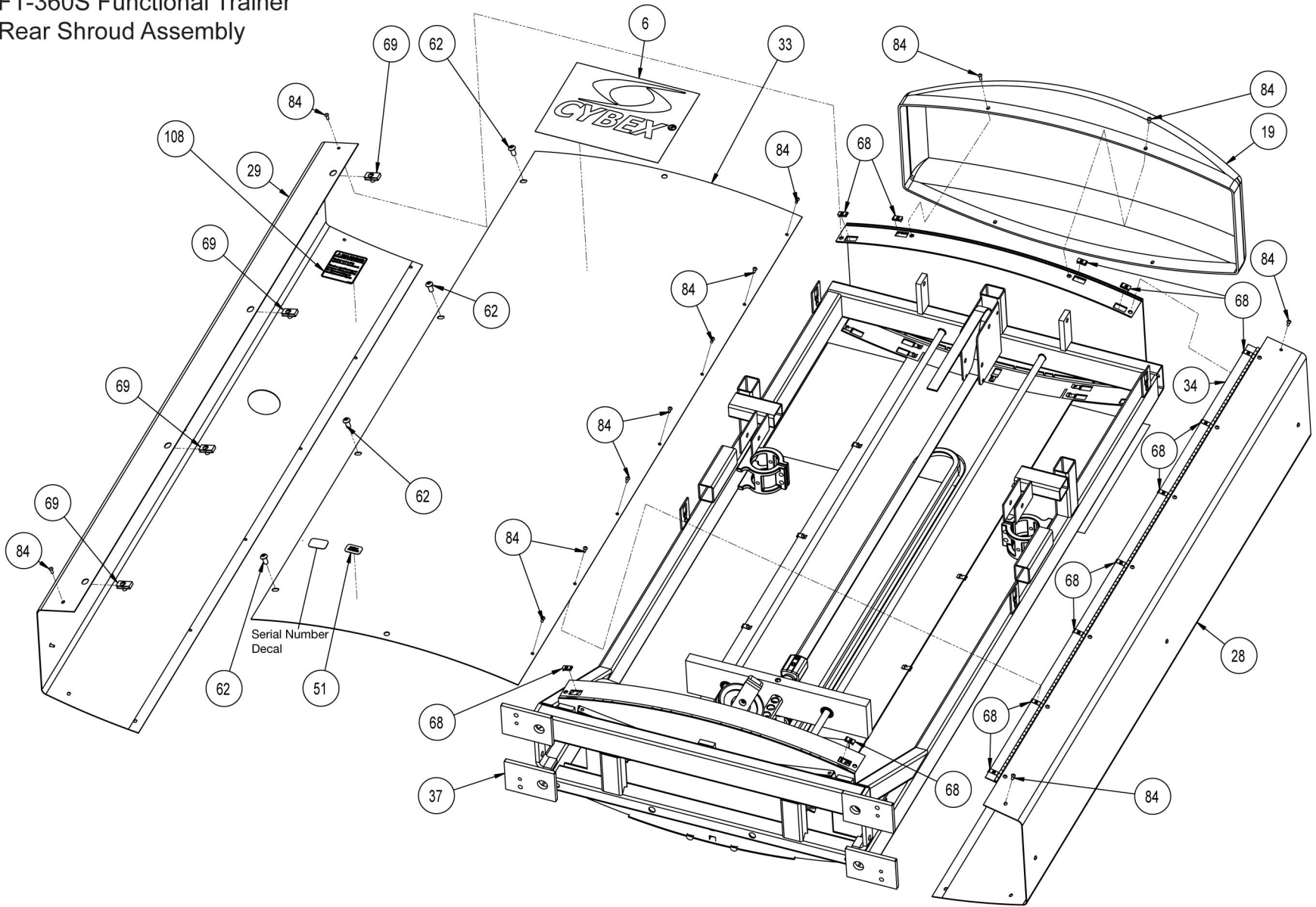
FT-360S Functional Trainer Front Shroud Assembly



<u>Bulb Number</u>	<u>Part Number</u>	<u>Description</u>	
6	3900-441	DECAL, CYBEX, BLACK	
6	3900-442	DECAL, CYBEX, SILVER	
19	9100-311	CAP, SHROUD COVER	
27	9100-365	PANEL, SHROUD FRONT	
28	9100-367	PANEL, SHROUD END RIGHT SIDE	
29	9100-368	PANEL, SHROUD END LEFT SIDE	
33	9100-384	PANEL, SHROUD BACK	
34	9100-385	HINGE, .06 x 2.00 x 62.00 LONG	
37	9101-200	W MAIN FRAME	
62	HC700415	BHSCS .375-16 X .75	
68	HF579000	PANEL FASTNER, 10-24 U TYPE	
84	HX570412	BHSCS, 10-24 X .50, SS	
106	9101-598-1	PLACARD	GERMAN
106	9101-598-2	PLACARD	FRENCH
106	9101-598-3	PLACARD	SPANISH
106	9101-598-4	PLACARD	ENGLISH
106	9101-598-6	PLACARD	JAPANESE
106	9101-598-7	PLACARD	SWEDISH
106	9101-598-8	PLACARD	RUSSIAN
107	9101-599-1	PLACARD	GERMAN
107	9101-599-2	PLACARD	FRENCH
107	9101-599-3	PLACARD	SPANISH
107	9101-599-4	PLACARD	ENGLISH
107	9101-599-6	PLACARD	JAPANESE
107	9101-599-7	PLACARD	SWEDISH

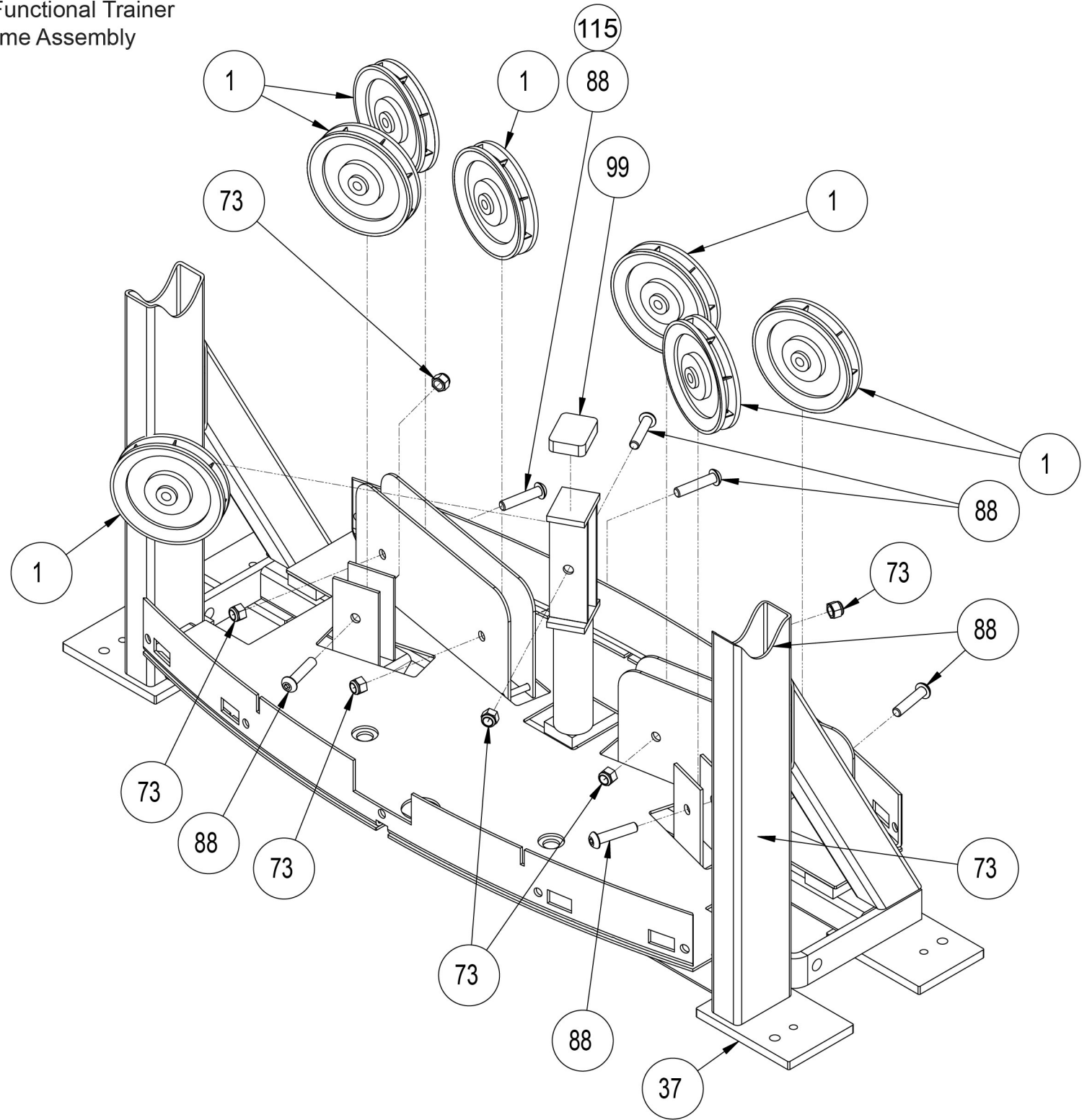
107	9101-599-8	PLACARD	RUSSIAN
108	9100-348-1	DECAL, CAUTION	GERMAN
108	9100-348-2	DECAL, CAUTION	FRENCH
108	9100-348-3	DECAL, CAUTION	SPANISH
108	9100-348-4	DECAL, CAUTION	ENGLISH
108	9100-348-6	DECAL, CAUTION	JAPANESE
108	9100-348-7	DECAL, CAUTION	SWEDISH
108	9100-348-8	DECAL, CAUTION	RUSSIAN
109	4605-381-1	DECAL, WARNING	GERMAN
109	4605-381-2	DECAL, WARNING	FRENCH
109	4605-381-3	DECAL, WARNING	SPANISH
109	4605-381-4	DECAL, WARNING	ENGLISH
109	4605-381-6	DECAL, WARNING	JAPANESE
109	4605-381-7	DECAL, WARNING	SWEDISH
109	4605-381-8	DECAL, WARNING	RUSSIAN
109	4605-381-A	DECAL, WARNING	DANISH
109	4605-381-D	DECAL, WARNING	DUTCH
113	11040-790	DECAL. MADE IN USA	

FT-360S Functional Trainer Rear Shroud Assembly



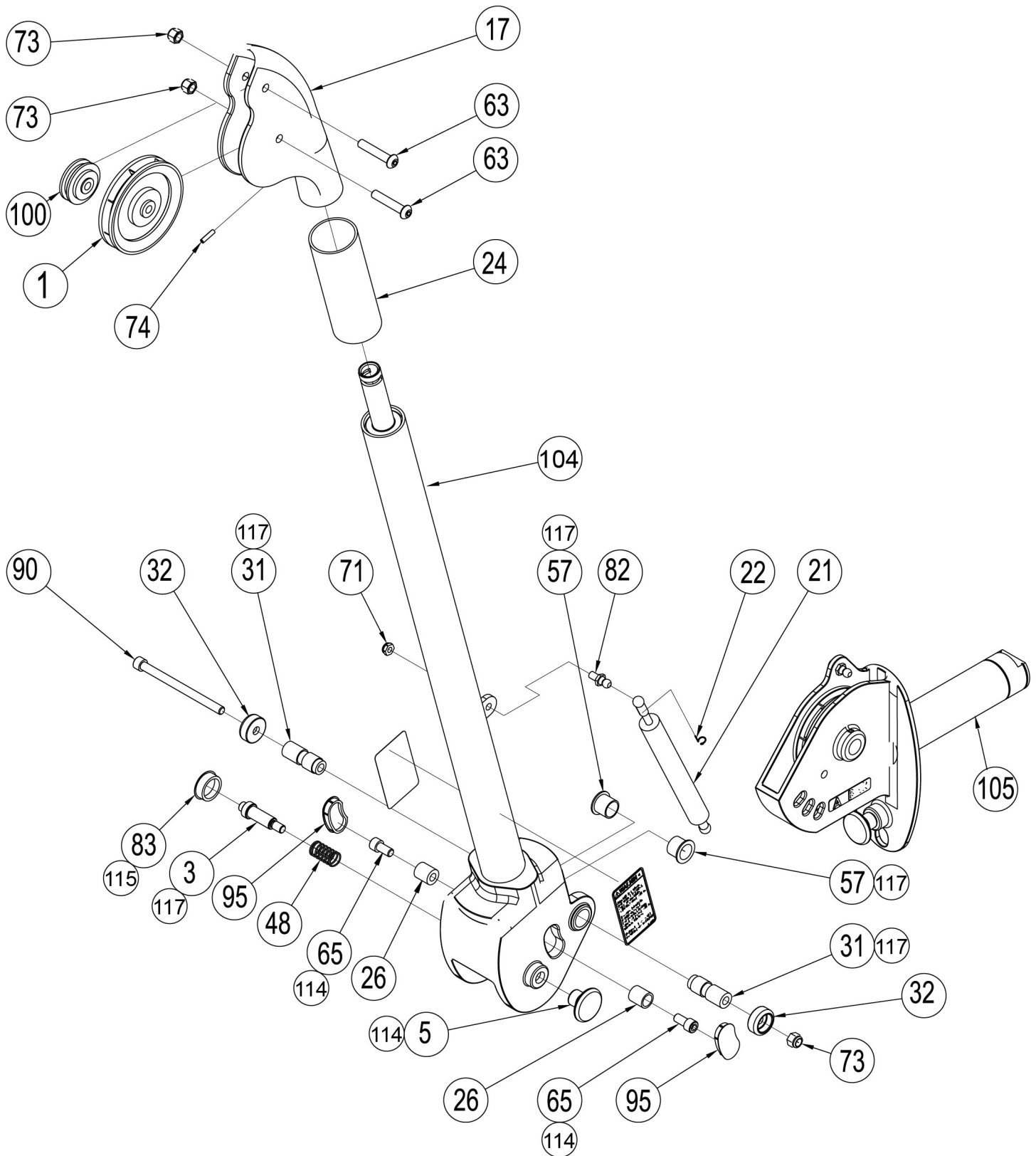
<u>Bulb Number</u>	<u>Part Number</u>	<u>Description</u>	
6	3900-441	DECAL, CYBEX, BLACK	
6	3900-442	DECAL, CYBEX, SILVER	
19	9100-311	CAP, SHROUD COVER	
28	9100-367	PANEL, SHROUD END RIGHT SIDE	
29	9100-368	PANEL, SHROUD END LEFT SIDE	
33	9100-384	PANEL, SHROUD BACK	
34	9100-385	HINGE, .06 x 2.00 x 62.00 LONG	
37	9101-200	W MAIN FRAME	
51	CM000211	DECAL, PATENT PENDING	
62	HC700415	BHSCS .375-16 X .75	
68	HF579000	PANEL FASTNER, 10-24 U TYPE	Qty. 46
69	HF700000	PANEL FASTNER, .375-16 , U TYPE	Qty. 46
84	HX570412	BHSCS, 10-24 X .50, SS	
108	9100-348-1	DECAL, CAUTION	GERMAN
108	9100-348-2	DECAL, CAUTION	FRENCH
108	9100-348-3	DECAL, CAUTION	SPANISH
108	9100-348-4	DECAL, CAUTION	ENGLISH
108	9100-348-6	DECAL, CAUTION	JAPANESE
108	9100-348-7	DECAL, CAUTION	SWEDISH
108	9100-348-8	DECAL, CAUTION	RUSSIAN

FT-360S Functional Trainer
Lower Frame Assembly



<u>Bulb Number</u>	<u>Part Number</u>	<u>Description</u>
1	8014	PULLEY ASSEMBLY, 4.50 IN.
37	9101-200	W MAIN FRAME
73	HN704901	LOCKNUT, .375-16 NYLON
88	JC700424	BHSCS .375-16 X 1.75
99	PU060203	BUMPER
115	YA000206	PLEASE USE LOCTITE 495

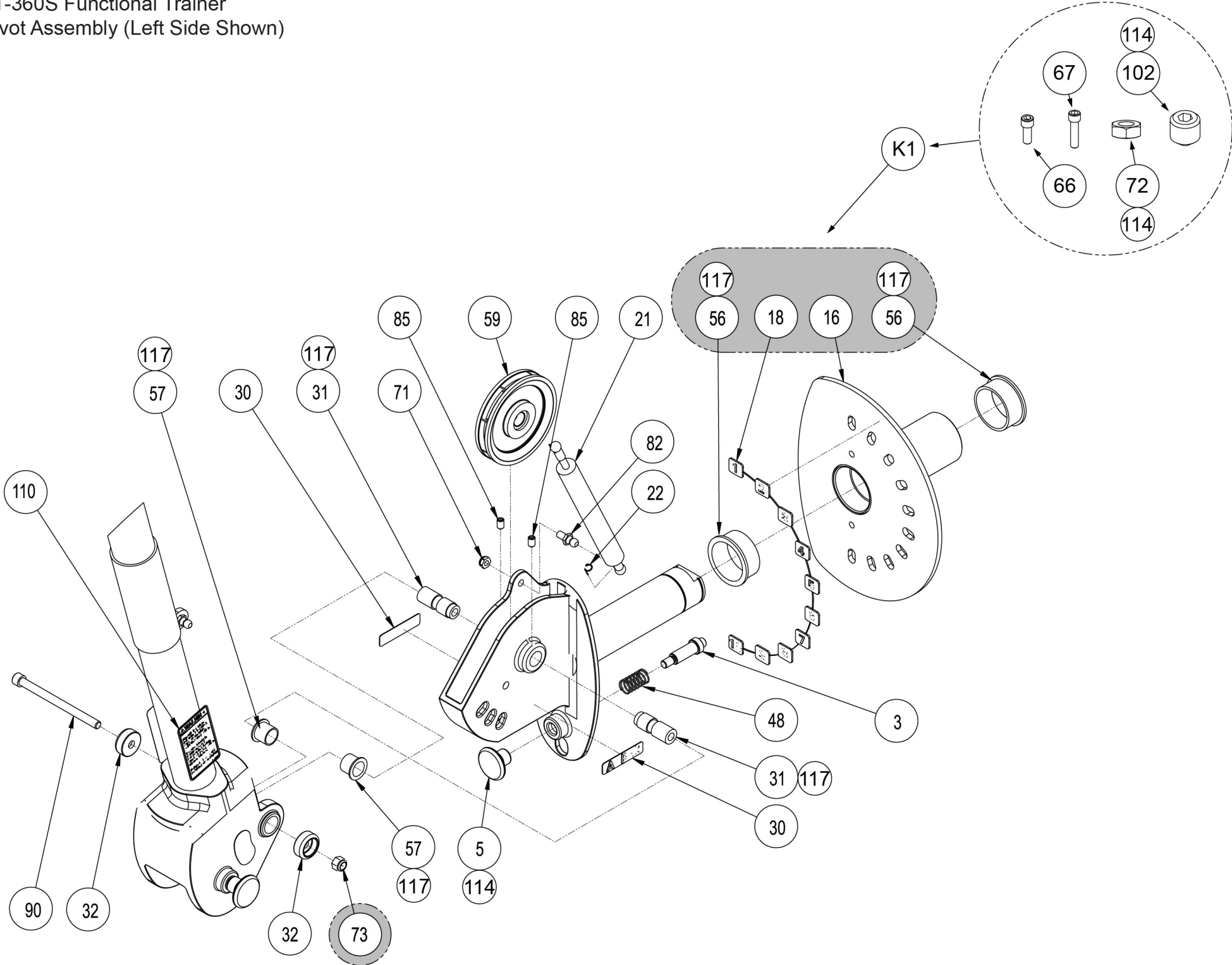
FT-360S Functional Trainer
Arm Assembly (Left and Right Side Shown)



<u>Bulb Number</u>	<u>Part Number</u>	<u>Description</u>
1	8014	PULLEY ASSEMBLY, 4.50 IN.
3	8229	PIN, DETENT
5	11040-440	KNOB
17	9100-303	MOLDED PULLEY SWIVEL
21	9100-314	CYLINDER, DAMPNER
22	9100-315	CLIP, DAMPNER SAFETY
24	9100-318	GRIP, 5.88 LG x 2.00 OD x 11 GA WALL
26	9100-353	SPACER, ARM CLEVIS
31	9100-381	PULLEY PIVOT PIN
32	9100-383	BUSHING
48	BS070201	COM SPRING .56 x .66 1.50 LG
57	FB130212	BUSHING, FLANGE .75 ID x .875 OD x .75 LG
63	HC700426	BHSCS .375-16 X 2.00
65	HC702815	SHCS .375-16 X .750
71	HN-60065	NUT, HEX SELF- LOCKING .312-18 BLK ZINC
73	HN704901	LOCKNUT, .375-16 NYLON
74	HP286715	PIN, .188 DIA x .75 ROLL
82	HX-60184	BALL STUD, .312 - 18 UNC x 10 MM
83	HX-60671	CAP, PLASTIC 1.25 ID.
90	JC702850	SHCS .375-16 UNC X 5.00
95	PP660009	INSERT, PLASTIC SLOT
100	PW-60615	PULLEY, CABLE, 2.00 OD x 1.0 HUB
104	9101-201	ARM
105	9101-202	MAIN ROTATION PIVOT
114	YA000201	LOCTITE .02 OZ #242, BLUE

115	YA000206	PLEASE USE LOCTITE 495
117	YG000002	PLEASE USE WHITE LITHIUM GREASE

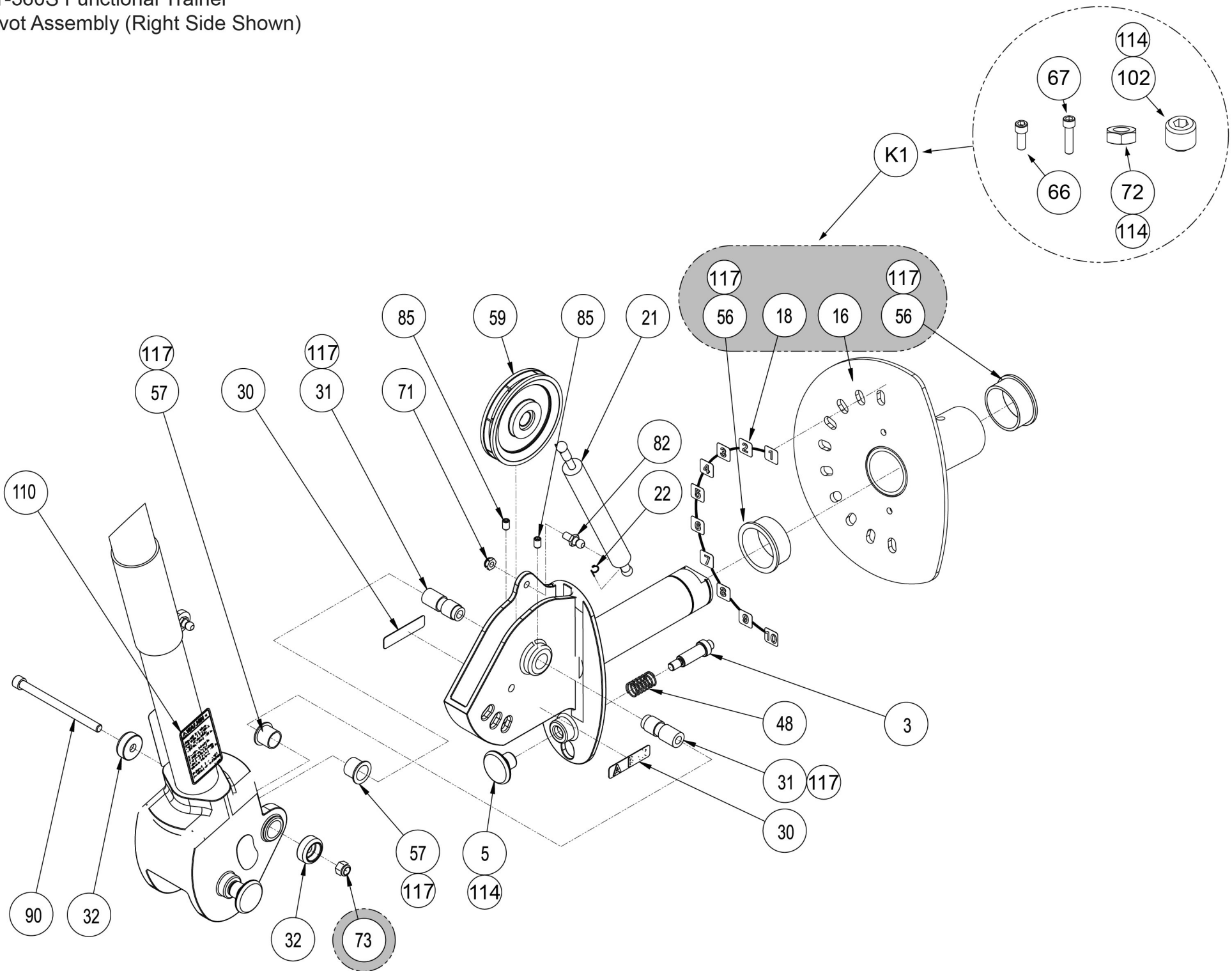
FT-360S Functional Trainer
Pivot Assembly (Left Side Shown)



<u>Bulb Number</u>	<u>Part Number</u>	<u>Description</u>	
3	8229	PIN, DETENT	
5	11040-440	KNOB	
16	9100-204	P ARM ADJUSTMENT	
18	9100-304	DECAL, ROTATIONAL POSITION 1 - 10 0	
21	9100-314	CYLINDER, DAMPNER	
22	9100-315	CLIP, DAMPNER SAFETY	
30	9100-380	DECAL ABC POSITION	
31	9100-381	PULLEY PIVOT PIN	
32	9100-383	BUSHING	
48	BS070201	COM SPRING .56 x .66 1.50 LG	
56	FB130206	BEARING, FLANGE 2.00 ID. x 2.25 OD. x 1.00 LG	
57	FB130212	BUSHING, FLANGE .75 ID x .875 OD x .75 LG	
59	GP000000	PULLEY ASSEMBLY - 4.50	
66	HC702817	SHCS .375-16 X 1.00	
67	HC702822	SHCS .375-16 X 1.50	
71	HN-60065	NUT, HEX SELF- LOCKING .312-18 BLK ZINC	
72	HN704400	NUT, HEX JAM .375-16	
73	HN704901	LOCKNUT, .375-16 NYLON	
82	HX-60184	BALL STUD, .312 - 18 UNC x 10 MM	
85	HY662912	SET SCREW, .312 - 18 UNC x .50 WITH LOCTITE	
90	JC702850	SHCS .375-16 UNC X 5.00	
102	HY702912	SET SCREW, .375-16 x .50	
110	8500-311-1	DECAL, WARNING	GERMAN
110	8500-311-2	DECAL, WARNING	FRENCH
110	8500-311-3	DECAL, WARNING	SPANISH

110	8500-311-4	DECAL, WARNING	ENGLISH
110	8500-311-6	DECAL, WARNING	JAPANESE
110	8500-311-7	DECAL, WARNING	SWEDISH
110	8500-311-8	DECAL, WARNING	RUSSIAN
110	8500-311-A	DECAL, WARNING	DANISH
110	8500-311-D	DECAL, WARNING	DUTCH
114	YA000201	LOCTITE .02 OZ #242, BLUE	
117	YG000002	PLEASE USE WHITE LITHIUM GREASE	
K1	9101K002	KIT, P ARM ADJUSTMENT	

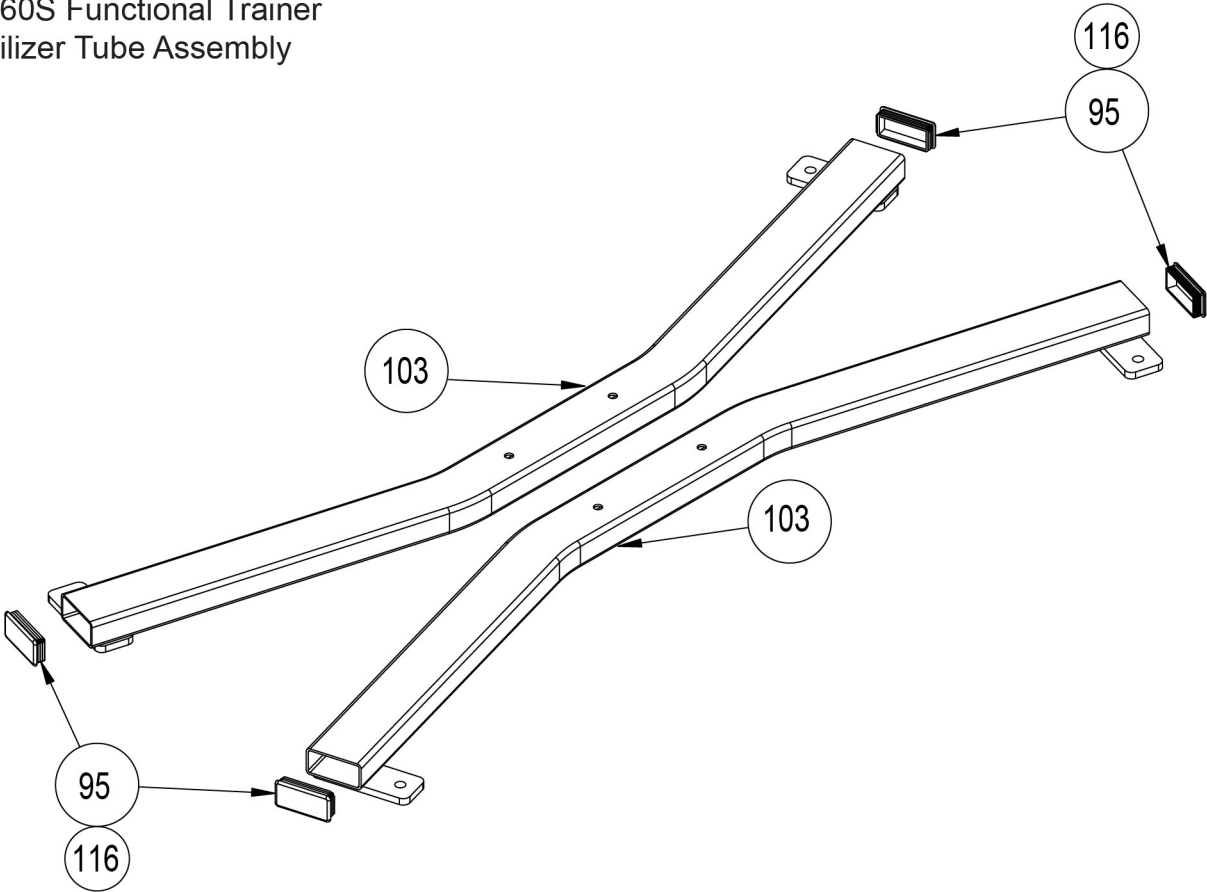
FT-360S Functional Trainer
Pivot Assembly (Right Side Shown)



<u>Bulb Number</u>	<u>Part Number</u>	<u>Description</u>	
3	8229	PIN, DETENT	
5	11040-440	KNOB	
16	9100-204	P ARM ADJUSTMENT	
18	9100-304	DECAL, ROTATIONAL POSITION 1 - 10 0	
21	9100-314	CYLINDER, DAMPNER	
22	9100-315	CLIP, DAMPNER SAFETY	
30	9100-380	DECAL ABC POSITION	
31	9100-381	PULLEY PIVOT PIN	
32	9100-383	BUSHING	
48	BS070201	COM SPRING .56 x .66 1.50 LG	
56	FB130206	BEARING, FLANGE 2.00 ID. x 2.25 OD. x 1.00 LG	
57	FB130212	BUSHING, FLANGE .75 ID x .875 OD x .75 LG	
59	GP000000	PULLEY ASSEMBLY - 4.50	
66	HC702817	SHCS .375-16 X 1.00	
67	HC702822	SHCS .375-16 X 1.50	
71	HN-60065	NUT, HEX SELF- LOCKING .312-18 BLK ZINC	
72	HN704400	NUT, HEX JAM .375-16	
73	HN704901	LOCKNUT, .375-16 NYLON	
82	HX-60184	BALL STUD, .312 - 18 UNC x 10 MM	
85	HY662912	SET SCREW, .312 - 18 UNC x .50 WITH LOCTITE	
90	JC702850	SHCS .375-16 UNC X 5.00	
102	HY702912	SET SCREW, .375-16 x .50	
110	8500-311-1	DECAL, WARNING	GERMAN
110	8500-311-2	DECAL, WARNING	FRENCH
110	8500-311-3	DECAL, WARNING	SPANISH

110	8500-311-4	DECAL, WARNING	ENGLISH
110	8500-311-6	DECAL, WARNING	JAPANESE
110	8500-311-7	DECAL, WARNING	SWEDISH
110	8500-311-8	DECAL, WARNING	RUSSIAN
110	8500-311-A	DECAL, WARNING	DANISH
110	8500-311-D	DECAL, WARNING	DUTCH
114	YA000201	LOCTITE .02 OZ #242, BLUE	
117	YG000002	PLEASE USE WHITE LITHIUM GREASE	
K1	9101K002	KIT, P ARM ADJUSTMENT	

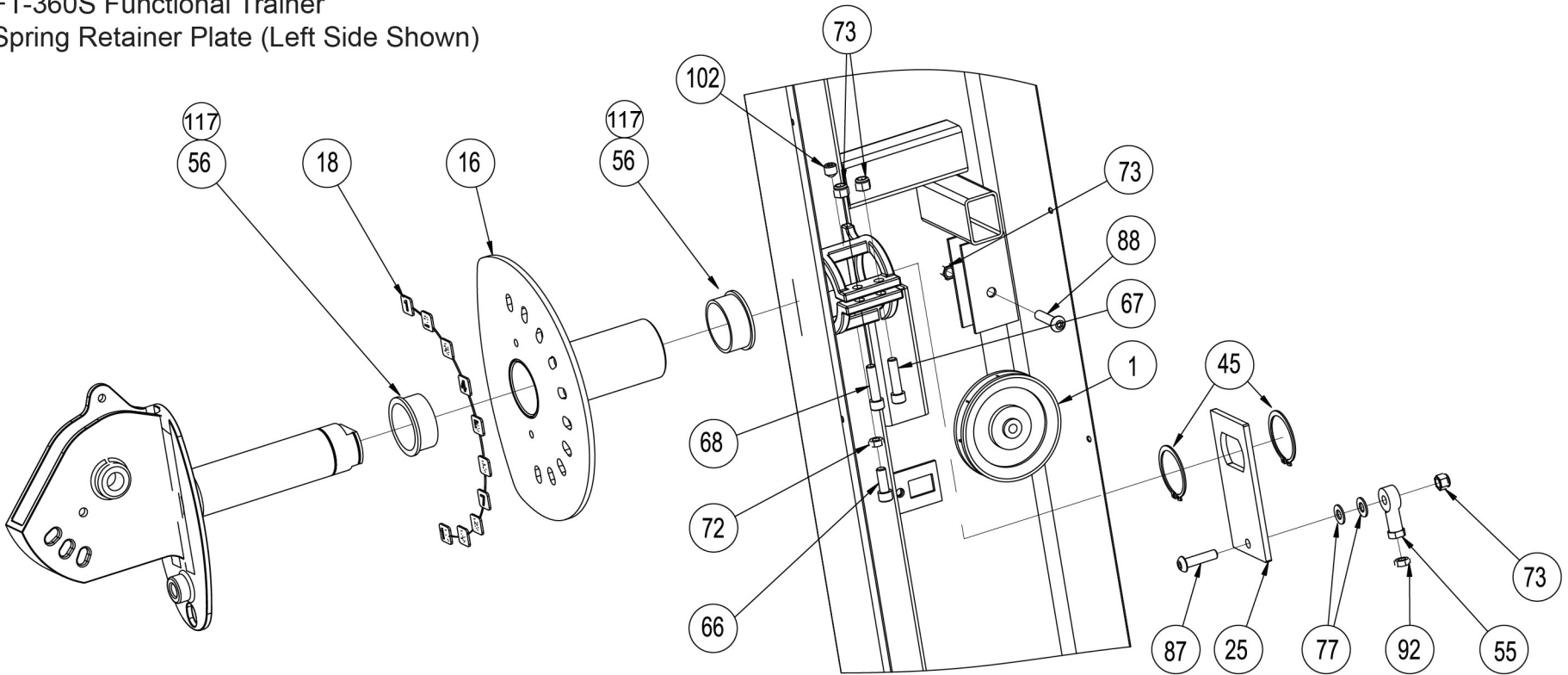
FT-360S Functional Trainer
Stabilizer Tube Assembly



<u>Bulb Number</u>	<u>Part Number</u>	<u>Description</u>
95	PP660009	INSERT, PLASTIC SLOT
103	9100-207	STABILIZER TUBE
116	YA000226	LOCTITE #680 .5 MI

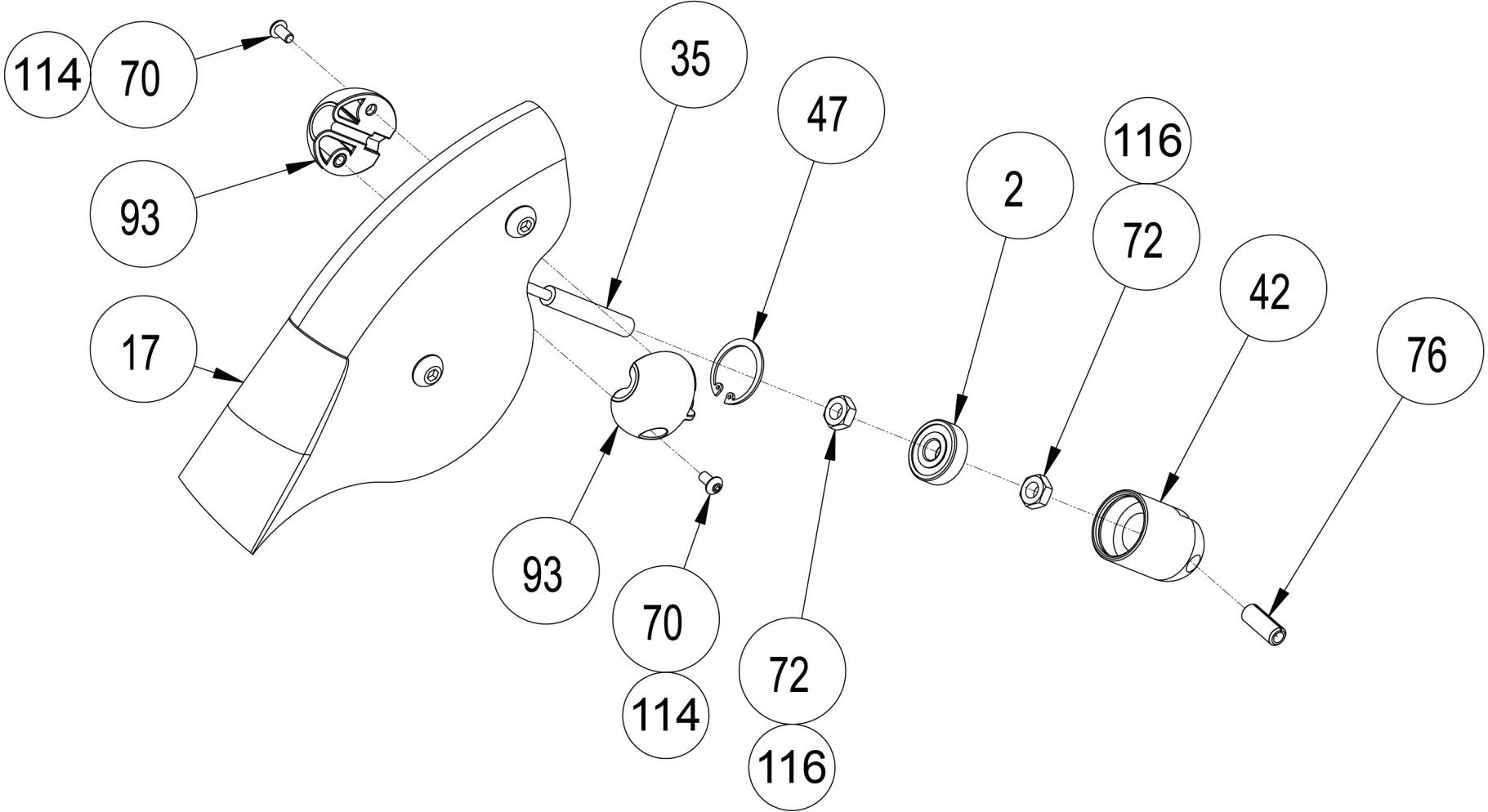
FT-360S Functional Trainer

Spring Retainer Plate (Left Side Shown)



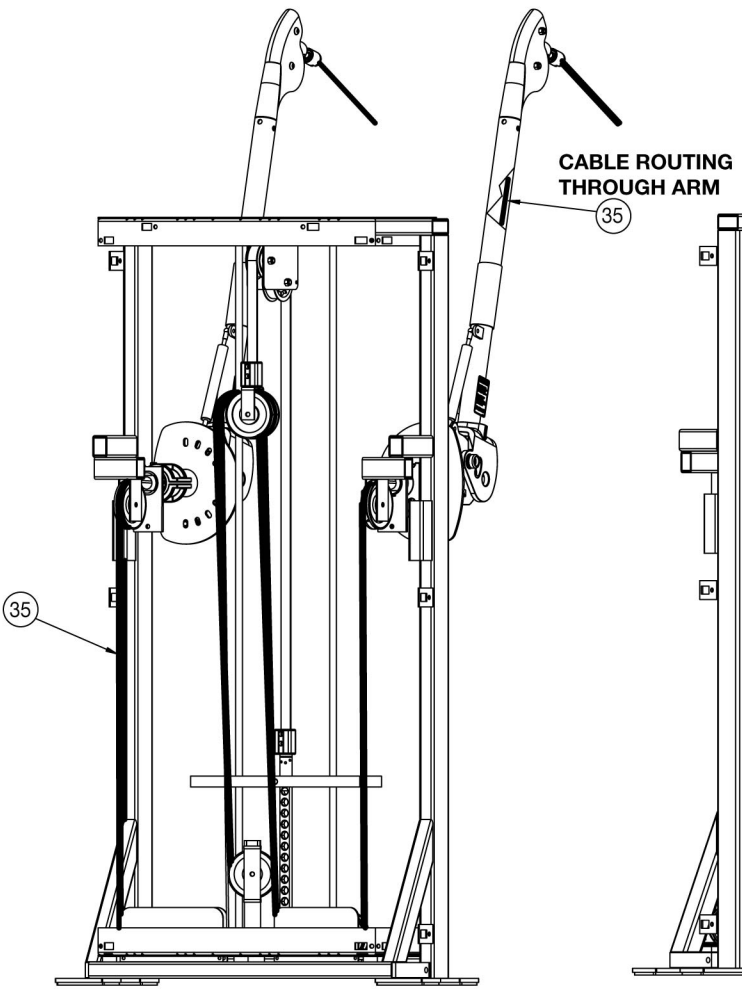
<u>Bulb Number</u>	<u>Part Number</u>	<u>Description</u>
1	8014	PULLEY ASSEMBLY, 4.50 IN.
16	9100-204	P ARM ADJUSTMENT
18	9100-304	DECAL, ROTATIONAL POSITION 1 - 10 0
25	9100-343	PLATE, SPRING CABLE RETAINER
45	BR030213	RETAINING RING, 2.00 EXTERNAL
55	FB030213	ROD END BEARING FEMALE .375-24 UNF
56	FB130206	BEARING, FLANGE 2.00 ID. x 2.25 OD. x 1.00 LG
66	HC702817	SHCS .375-16 X 1.00
67	HC702822	SHCS .375-16 X 1.50
68	HF579000	PANEL FASTNER, 10-24 U TYPE
72	HN704400	NUT, HEX JAM .375-16
73	HN704901	LOCKNUT, .375-16 NYLON
77	HS347600	WASHER, SAE .375
87	JC700422	BHSCS .375-16 X 1.50
88	JC700424	BHSCS .375-16 X 1.75
92	JN714400	NUT, HEX JAM .375-24 UNF
102	HY702912	SET SCREW, .375-16 x .50
117	YG000002	PLEASE USE WHITE LITHIUM GREASE

FT-360S Functional Trainer
Cable Swivel Assembly

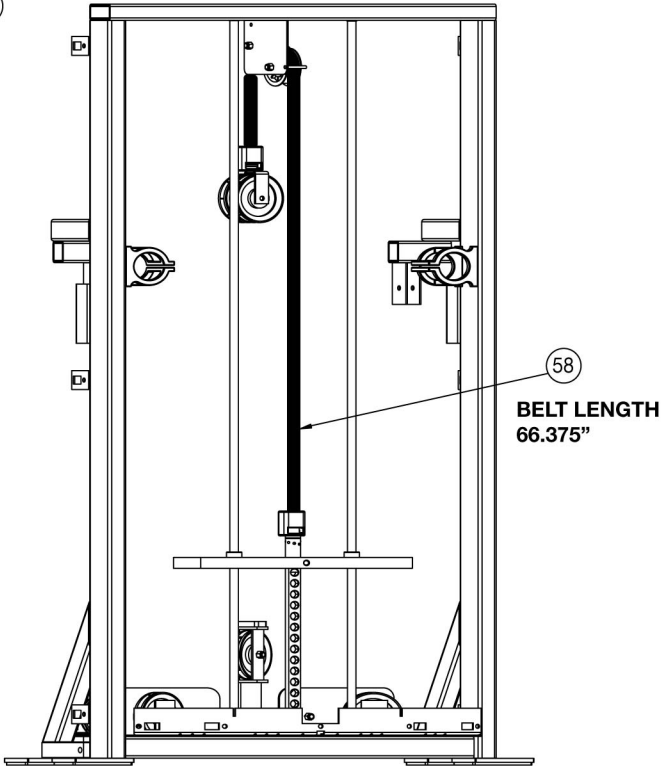


<u>Bulb Number</u>	<u>Part Number</u>	<u>Description</u>
2	8135	BRG, BALL
17	9100-303	MOLDED PULLEY SWIVEL
35	9101-002	CABLE S/A
42	AH020000	SWIVEL HOUSING
47	BR030224	RETAINING RING, 1.188 INTERNAL
70	HM580410	10-32 X .25 LG
72	HN704400	NUT, HEX JAM .375-16
76	HP346717	ROLL PIN .375 X 1.00
93	PP040004	BALL STOP
114	YA000201	LOCTITE .02 OZ #242, BLUE
116	YA000226	LOCTITE #680 .5 MI

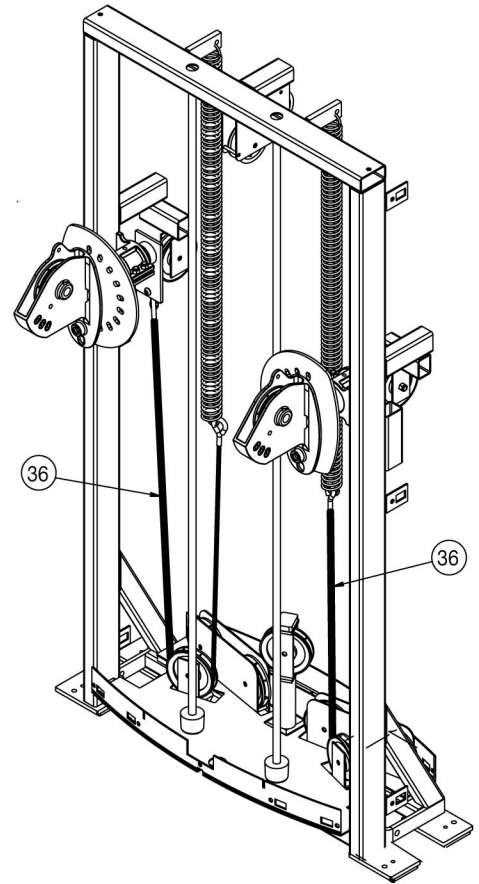
ARM CABLE ROUTING



WEIGHT STACK BELT ROUTING DETAIL

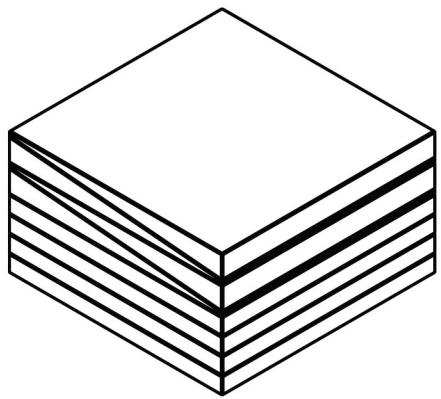
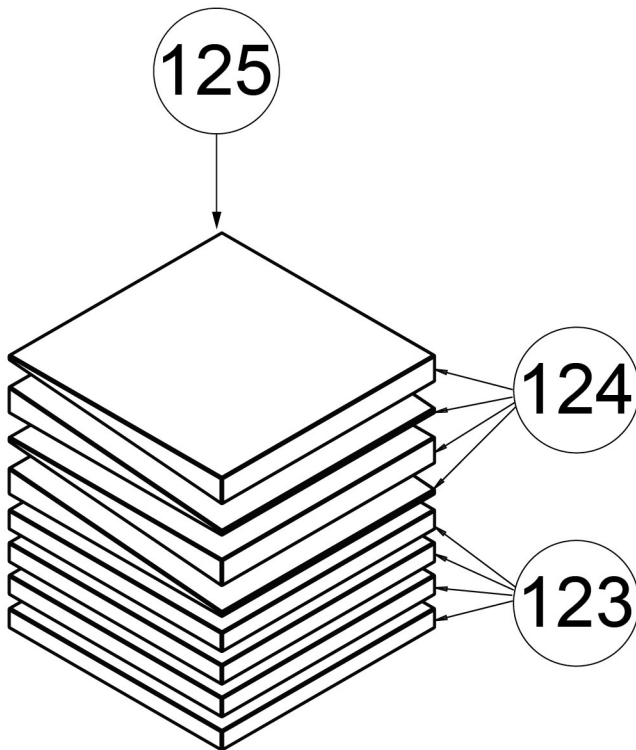
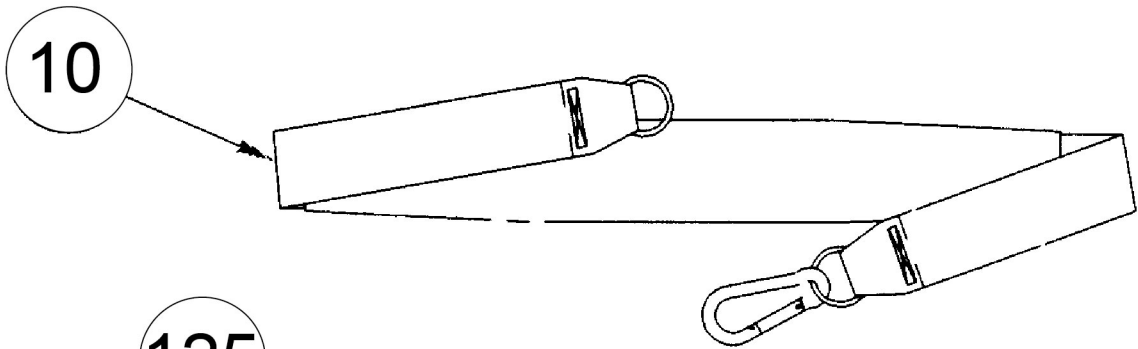
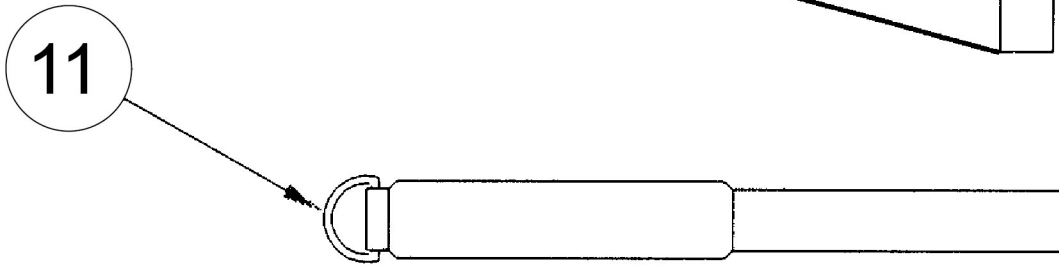
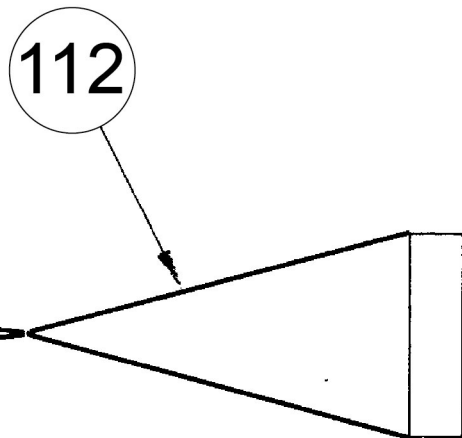
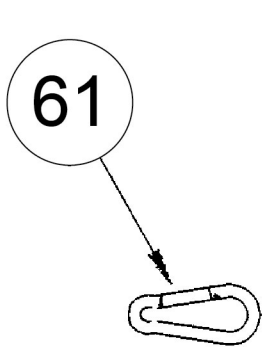


ARM ROTATION/SPRING CABLE ROUTING DETAIL



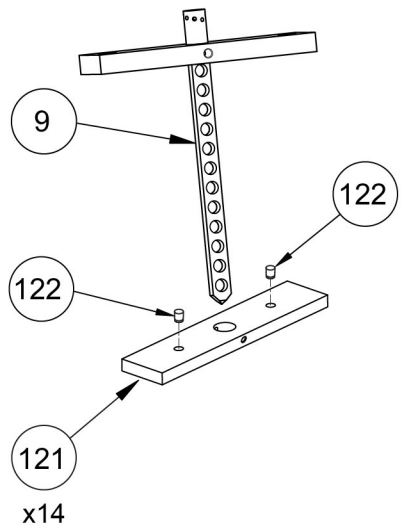
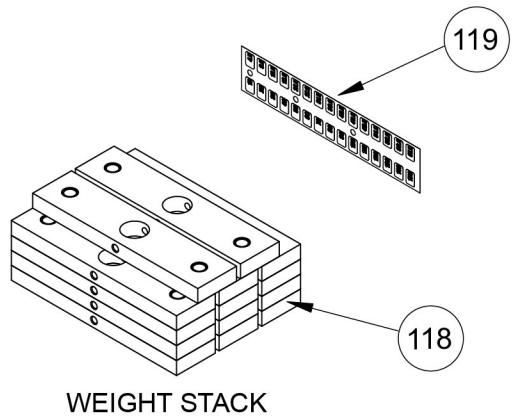
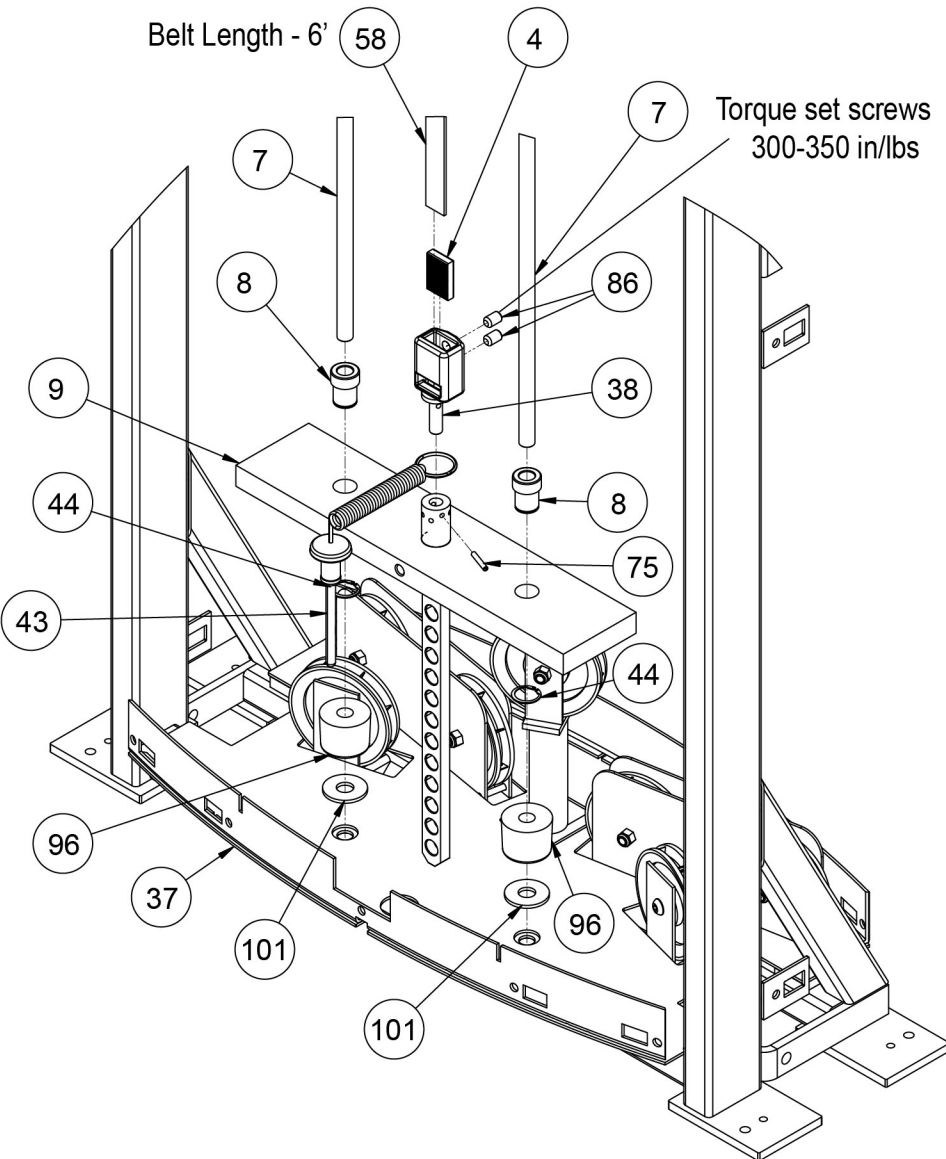
<u>Bulb Number</u>	<u>Part Number</u>	<u>Description</u>
35	9101-002	CABLE S/A
36	9101-003	CABLE S/A
58	GB000202	BELT .95 WIDE, SEE DRAWING FOR LENGTH

FT-360S Functional Trainer
Handle and Straps



<u>Bulb Number</u>	<u>Part Number</u>	<u>Description</u>
10	51073	HIP HARNESS
11	51122	ANKLE STRAP
61	GQ000206	SNAP LINK
112	12220-005	HAND ASSEMBLY
123	18070-301	FOOT SUPPORT PAD - FLAT
124	18070-300	FOOT SUPPORT PAD - WEDGE
125	18070-001	FOOT SUPPORT PAD ASSEMBLY

FT-360S Functional Trainer
 Top Weight Assembly



<u>Bulb Number</u>	<u>Part Number</u>	<u>Description</u>
4	11040-301	Clamp Block Insert
7	4605-323	WT ROD .625 DIA x 45.00
8	4700-019	BEARING, FLANGE .62 ID. x .92 OD. x 1.50 LG
9	4800-255	C TOP WT 15-4 X 18
37	9101-200	W MAIN FRAME
38	9101-203	P/ BELT CLAMP POST
43	BH030207	Pin, Weight Selector
44	BR030206	RETAINING RING
58	GB000202	BELT .95 WIDE, SEE DRAWING FOR LENGTH
68	HF579000	PANEL FASTNER, 10-24 U TYPE
75	HP286819	SPIRAL PIN .188 X 1.12
96	PR060005	BUMPER, WEIGHT
101	HS760106	WASHER, FLAT, 1.75 X .688 X .140 T
118	4701-013	Weight Pack (Not Shown)
119	9100-313	WEIGHT PLATE DECAL (1-25)
121	4000C101	Weight Stack Plate
122	FB130216	BUSHING, WEIGHT STACK