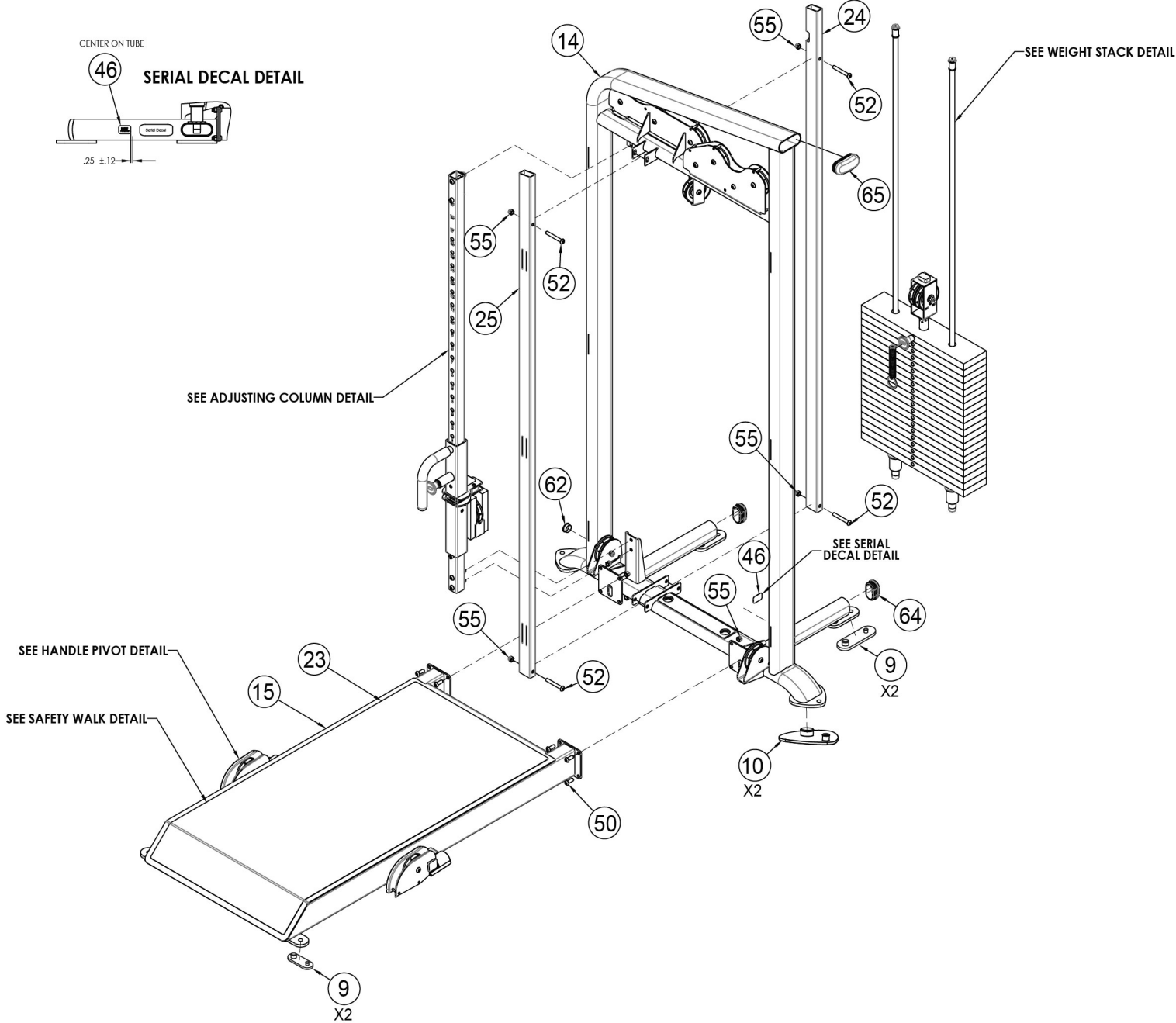


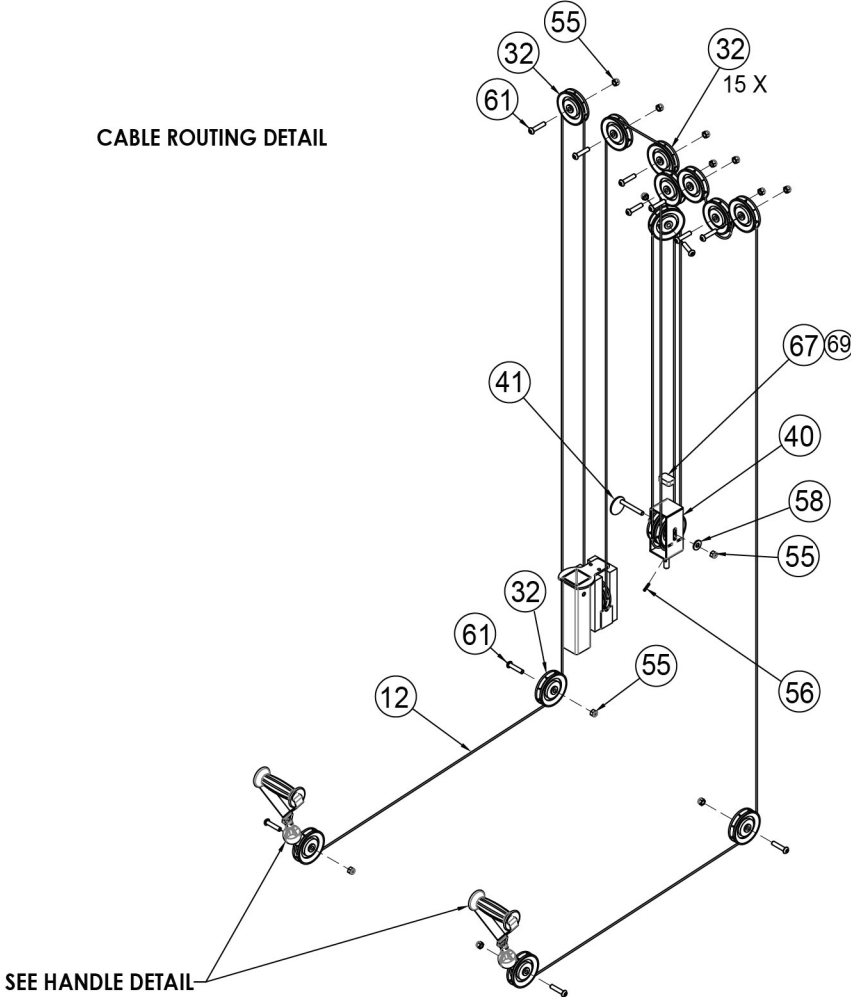
# 18030 Main Assembly



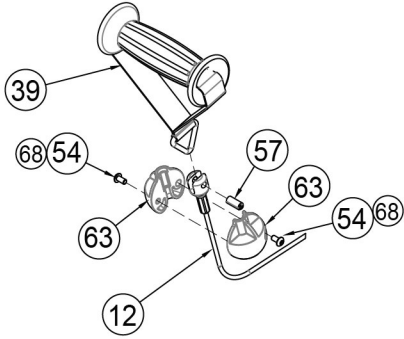
<u>Bulb Number</u>	<u>Part Number</u>	<u>Description</u>
9	13000-353	FOOT PAD
10	16010-311	FOOT PAD
14	18030-200	W MAIN FRAME
15	18030-202	W PLATFORM
23	18030-367	SAFETY WALK, BLACK
24	18030-370	MOUNTING TUBE
25	18030-371	MOUNTING TUBE
46	CM000211	DECAL, PATENT PENDING
50	HC700417	BHSCS .375-16 X 1.00
52	HC700432	BHSCS .375-16 X 2.75
55	HN704901	LOCKNUT, .375-16 NYLON
62	PN660200	INSERT, PLASTIC
64	PP130003	INSERT, DOMED PLASTIC
65	PP130004	INSERT, DOMED PLASTIC

18030 Cable Routing and Handle Detail

CABLE ROUTING DETAIL

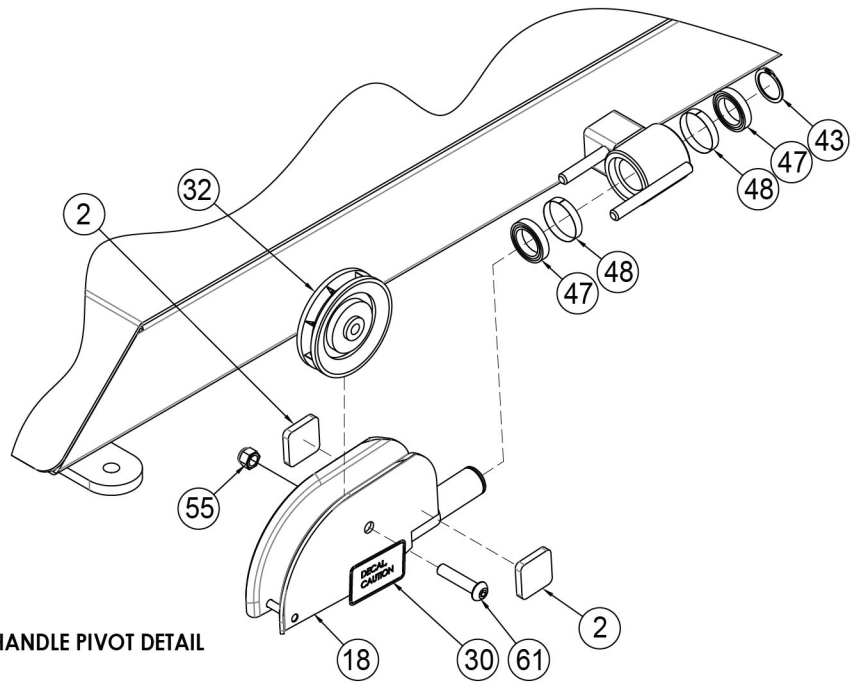


HANDLE DETAIL

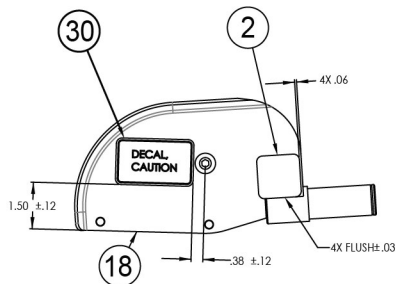


<b><u>Bulb Number</u></b>	<b><u>Part Number</u></b>	<b><u>Description</u></b>
12	18030-002	CABLE ASSEMBLY
32	4400-354	PULLEY ASSEMBLY - 3.50
39	8800-008	HANDLE ASSEMBLY
40	8830-206	W PULLEY TAB
41	8830-218	P CAM BOLT
54	HM580410	10-32 X .25 LG
55	HN704901	LOCKNUT, .375-16 NYLON
56	HP286819	SPIRAL PIN .188 X 1.12
57	HP306714	HEAVY DUTY COILED SPRING PIN, .250 X .625
58	HS347700	WASHER, USS .375
61	JC700424	BHSCS .375-16 X 1.75
63	PP040004	BALL STOP
67	PU060201	BUMPER
68	YA000201	LOCTITE .02 OZ #242, BLUE
69	YA000206	PLEASE USE LOCTITE 495

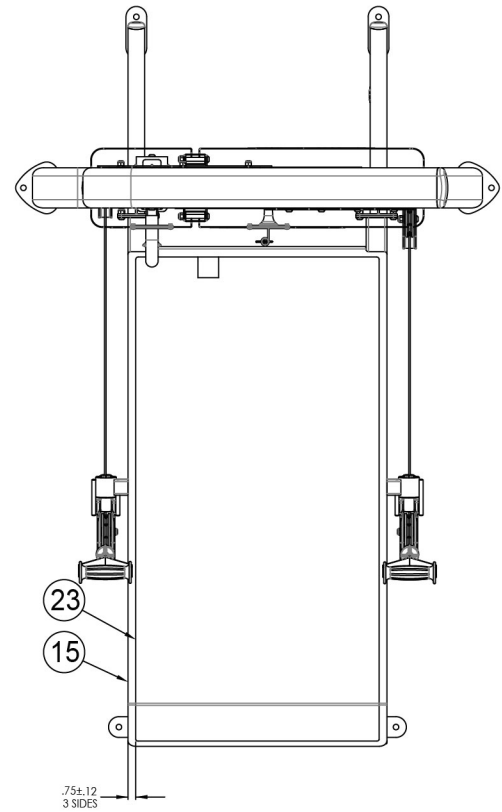
# 18030 Handle, Bumper Pad, and Safety Walk Detail



HANDLE PIVOT DETAIL



BUMPER PAD DETAIL

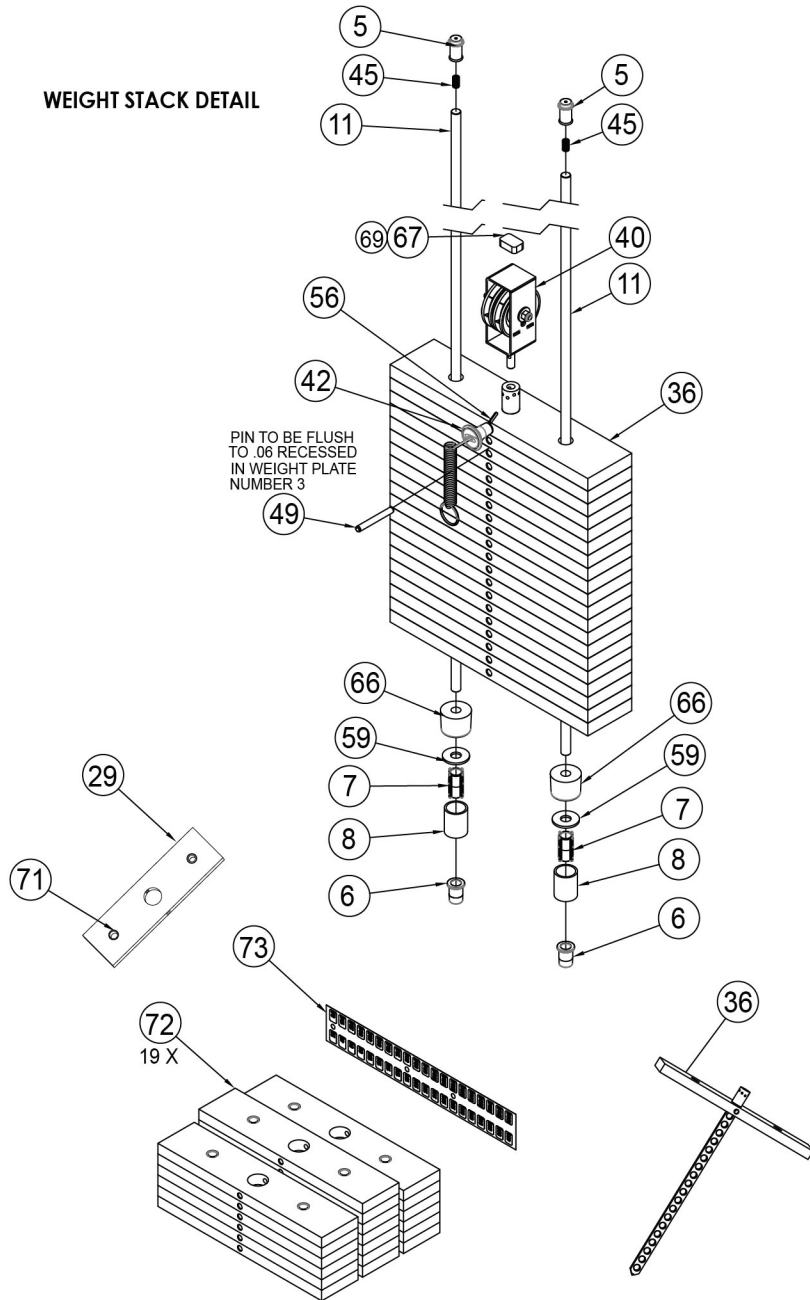


SAFETY WALK DETAIL

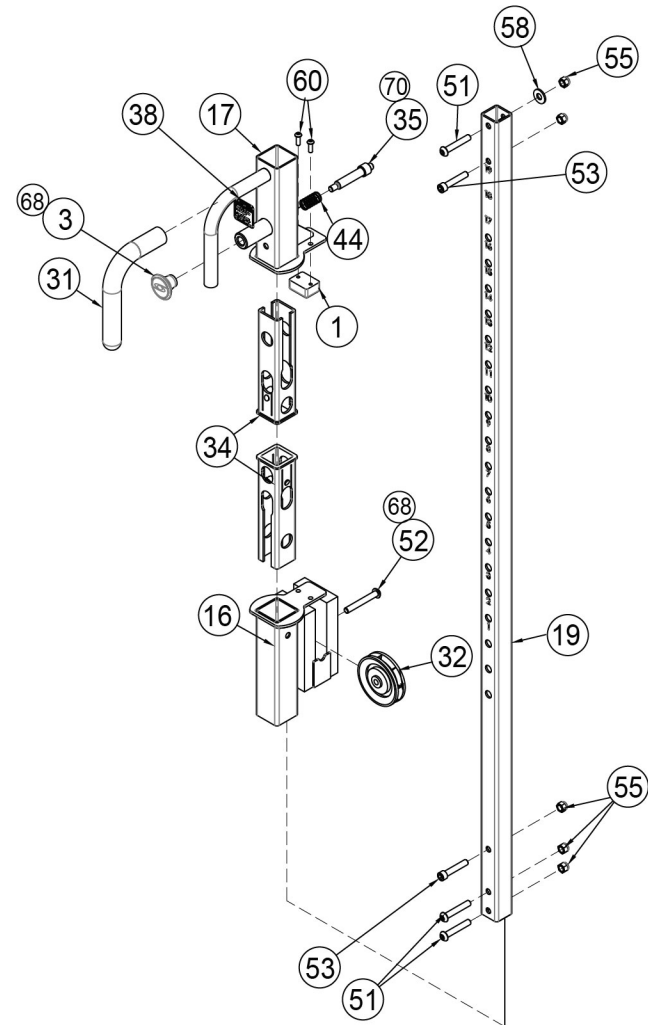
<u>Bulb Number</u>	<u>Part Number</u>	<u>Description</u>	
2	11040-409	Molded Bumper Pad	
15	18030-202	W PLATFORM	
18	18030-205	W PULLEY FRAME	
23	18030-367	SAFETY WALK, BLACK	
30	4000Y316-1	DECAL, CAUTION	GERMAN
30	4000Y316-2	DECAL, CAUTION	FRENCH
30	4000Y316-3	DECAL, CAUTION	SPANISH
30	4000Y316-4	DECAL, CAUTION	ENGLISH
30	4000Y316-6	DECAL, CAUTION	JAPANESE
30	4000Y316-7	DECAL, CAUTION	SWEDISH
30	4000Y316-8	DECAL, CAUTION	RUSSIAN
30	4000Y316-A	DECAL, CAUTION	DANISH
30	4000Y316-D	DECAL, CAUTION	DUTCH
32	4400-354	PULLEY ASSEMBLY - 3.50	
43	BR030223	EXT RETAINING RING, 25 MM	
47	FB030255	BEARING RADIAL 25MM	
48	FC030010	TOLERANCE RING 1.457 ID	
55	HN704901	LOCKNUT, .375-16 NYLON	
61	JC700424	BHSCS .375-16 X 1.75	

# 18030 Weight Stack and Adjusting Column Detail

## WEIGHT STACK DETAIL



## ADJUSTING COLUMN DETAIL

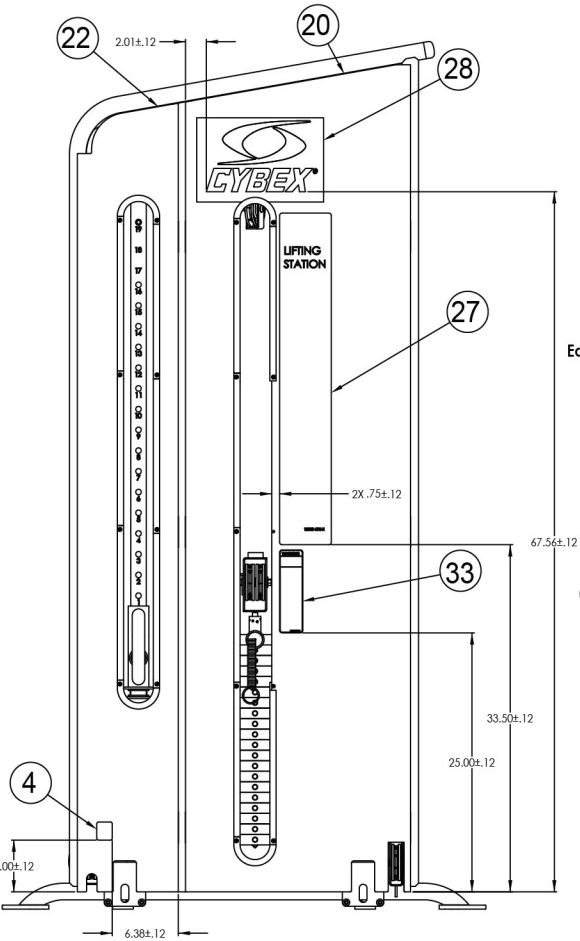


<u>Bulb Number</u>	<u>Part Number</u>	<u>Description</u>	
1	11000-384	BLOCK, STOP	
3	11040-440	KNOB	
5	12210-347	GUIDE ROD CAP	
6	12210-348	GUIDE ROD CAP	
7	12210-352	PLASTIC INSERT	
8	12210-358	SPACER TUBE	
11	18000-330	WT ROD .625 DIA X 67.38	
16	18030-203	W FLOATING PULLEY	
17	18030-204	W ADJUSTING TUBE	
19	18030-302	DETENT TUBE	
29	4000C-101	Weight Stack Plate	
31	4045M079	10.25 FOAM GRIP	
32	4400-354	PULLEY ASSEMBLY - 3.50	
34	4605-512	INSERT PLASTIC, 7.94	
35	4613-320	PIN, DETENT	
36	4800-254	C TOP WT 20 - 4 x 18	
38	8500-025-1	DECAL, CAUTION	GERMAN
38	8500-025-2	DECAL, CAUTION	FRENCH
38	8500-025-3	DECAL, CAUTION	SPANISH
38	8500-025-4	DECAL, CAUTION	ENGLISH
38	8500-025-6	DECAL, CAUTION	JAPANESE
38	8500-025-7	DECAL, CAUTION	SWEDISH
38	8500-025-8	DECAL, CAUTION	RUSSIAN
38	8500-025-A	DECAL, CAUTION	DANISH
38	8500-025-D	DECAL, CAUTION	DUTCH

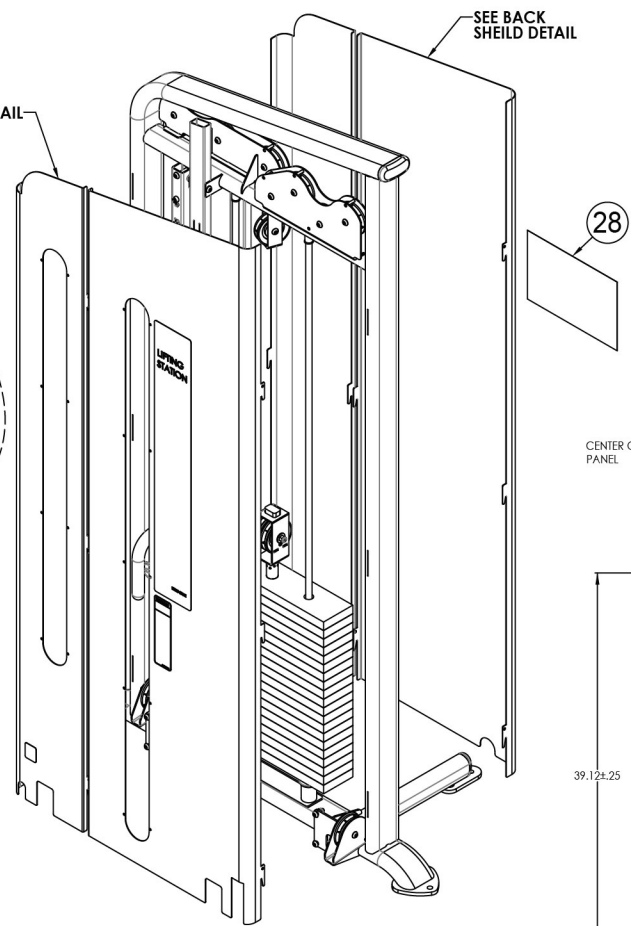
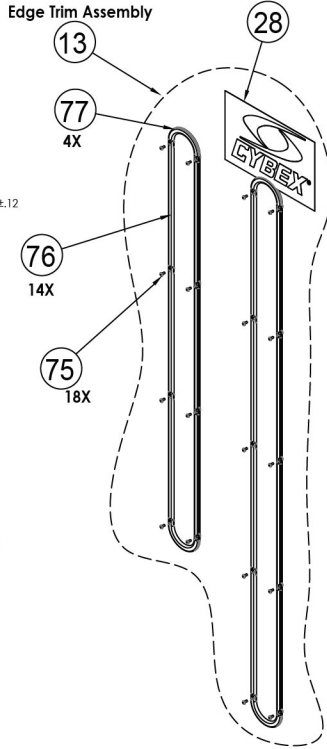


40	8830-206	W PULLEY TAB
42	<b>BH030207</b>	Pin, Weight Selector
44	<b>BS070201</b>	COM SPRING .56 x .66 1.50 LG
45	<b>BS070208</b>	COMPRESSION SPRING
49	HB353500	SPRING PIN
51	<b>HC700428</b>	BHSCS .375-16 X 2.25
52	<b>HC700432</b>	BHSCS .375-16 X 2.75
53	HC702826	SHCS .375-16 X 2.00
55	<b>HN704901</b>	LOCKNUT, .375-16 NYLON
56	<b>HP286819</b>	SPIRAL PIN .188 X 1.12
58	<b>HS347700</b>	WASHER, USS .375
59	<b>HS760106</b>	WASHER, FLAT, 1.75 X .688 X .140 T
60	JC620415	BHSCS .250-20 X .75
66	<b>PR060005</b>	BUMPER, WEIGHT
67	<b>PU060201</b>	BUMPER
68	<b>YA000201</b>	LOCTITE .02 OZ #242, BLUE
69	YA000206	PLEASE USE LOCTITE 495
70	YG000002	PLEASE USE WHITE LITHIUM GREASE
71	<b>FB130216</b>	BUSHING, WEIGHT STACK
72	18030-005	ASSEMBLY WEIGHT STACK
73	4800-556	DECAL, WEIGHT STACK (20-400)

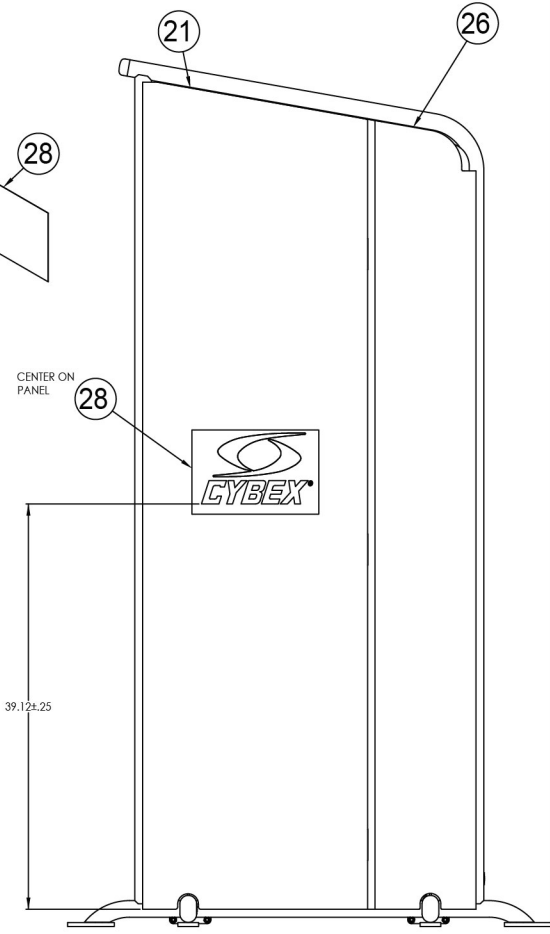
# 18030 Front and Back Shield Detail



**FRONT SHIELD DETAIL**



**SHIELD DETAIL**



**BACK SHIELD DETAIL**

<u>Bulb Number</u>	<u>Part Number</u>	<u>Description</u>	
4	11040-790	DECAL. MADE IN USA	
13	18030-100	EDGE TRIM ASSEMBLY	
20	18030-330-90	FRONT WIDE SHIELD	Platinum Sparkle
20	18030-330-91	FRONT WIDE SHIELD	Textured White
20	18030-330-92	FRONT WIDE SHIELD	Silver Vein
20	18030-330-95	FRONT WIDE SHIELD	<b>Black</b> Chrome
20	18030-330-97	FRONT WIDE SHIELD	Textured <b>Black</b>
20	18030-330-98	FRONT WIDE SHIELD	Custom Paint
20	18030-330-99	FRONT WIDE SHIELD	Metal Tone Gold
21	18030-331-90	REAR WIDE SHIELD	Platinum Sparkle
21	18030-331-91	REAR WIDE SHIELD	Textured White
21	18030-331-92	REAR WIDE SHIELD	Silver Vein
21	18030-331-95	REAR WIDE SHIELD	<b>Black</b> Chrome
21	18030-331-97	REAR WIDE SHIELD	Textured <b>Black</b>
21	18030-331-98	REAR WIDE SHIELD	Custom Paint
21	18030-331-99	REAR WIDE SHIELD	Metal Tone Gold
22	18030-362-90	FRONT NARROW SHIELD	Platinum Sparkle
22	18030-362-91	FRONT NARROW SHIELD	Textured White
22	18030-362-92	FRONT NARROW SHIELD	Silver Vein
22	18030-362-95	FRONT NARROW SHIELD	<b>Black</b> Chrome
22	18030-362-97	FRONT NARROW SHIELD	Textured <b>Black</b>
22	18030-362-98	FRONT NARROW SHIELD	Custom Paint
22	18030-362-99	FRONT NARROW SHIELD	Metal Tone Gold
26	18030-372-90	REAR NARROW SHIELD	Platinum Sparkle
26	18030-372-91	REAR NARROW SHIELD	Textured White

26	18030-372-92	REAR NARROW SHIELD	Silver Vein
26	18030-372-95	REAR NARROW SHIELD	Black Chrome
26	18030-372-97	REAR NARROW SHIELD	Textured Black
26	18030-372-98	REAR NARROW SHIELD	Custom Paint
26	18030-372-99	REAR NARROW SHIELD	Metal Tone Gold
27	18030-598-1	PLACARD DECAL	GERMAN
27	18030-598-2	PLACARD DECAL	FRENCH
27	18030-598-3	PLACARD DECAL	SPANISH
27	18030-598-4	PLACARD DECAL	ENGLISH
27	18030-598-6	PLACARD DECAL	JAPANESE
27	18030-598-7	PLACARD DECAL	SWEDISH
27	18030-598-8	PLACARD DECAL	RUSSIAN
27	18030-598-A	PLACARD DECAL	DANISH
27	18030-598-D	PLACARD DECAL	DUTCH
28	3900-441	DECAL, CYBEX, BLACK	
28	3900-442	DECAL, CYBEX, SILVER	
33	4605-381-1	DECAL, WARNING	GERMAN
33	4605-381-2	DECAL, WARNING	FRENCH
33	4605-381-3	DECAL, WARNING	SPANISH
33	4605-381-4	DECAL, WARNING	ENGLISH
33	4605-381-6	DECAL, WARNING	JAPANESE
33	4605-381-7	DECAL, WARNING	SWEDISH
33	4605-381-8	DECAL, WARNING	RUSSIAN
33	4605-381-A	DECAL, WARNING	DANISH
33	4605-381-D	DECAL, WARNING	DUTCH
75	HT552511	SCREW, TAP 8-16 x .38 PLASTITE	BLACK

76 13000-345 TRIM, STRAIGHT

77 13000-344 TRIM, CURVED