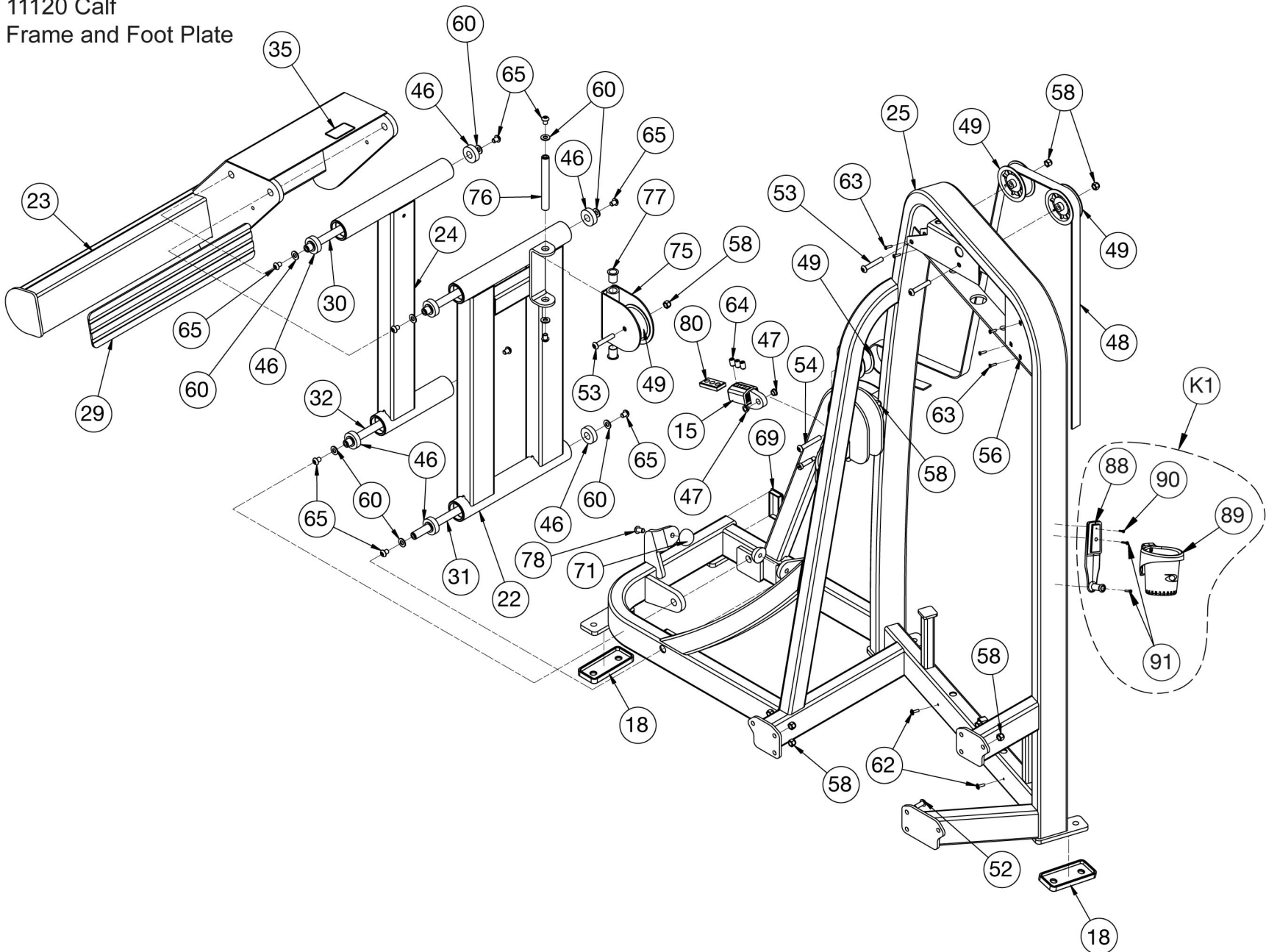


11120 Calf  
Frame and Foot Plate

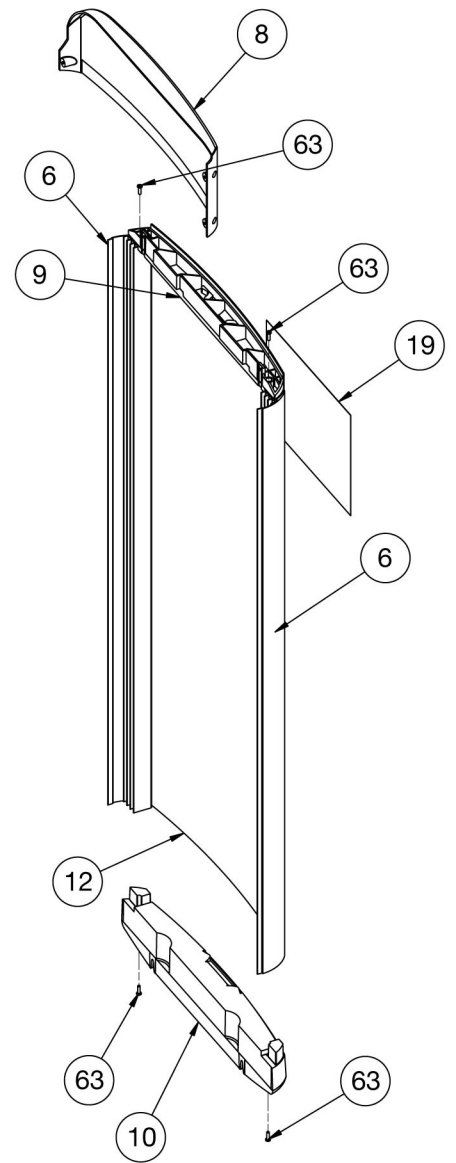
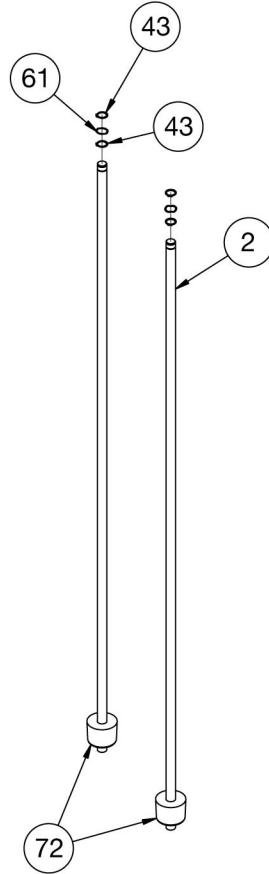
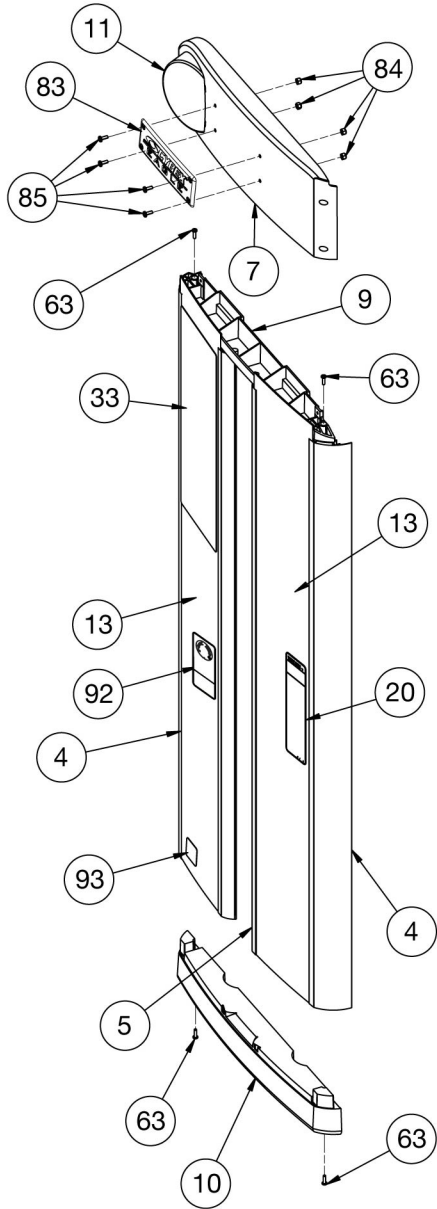


<u>Bulb Number</u>	<u>Part Number</u>	<u>Description</u>	
15	11090-210	W/CLAMP	
18	11090-392	FOOT COVER	
22	11120-201	PIVOT ARM	
23	11120-202	FOOT BAR	
24	11120-203	PIVOT ARM	
25	11120-204	WEIGHT FRAME	
29	11120-319	NON-SLIP	
30	11120-336	SHAFT, PIVOT, 15.106	
31	11120-337	SHAFT, PIVOT	
32	11120-338	SHAFT, PIVOT	
35	4000Y316-1	DECAL, CAUTION	GERMAN
35	4000Y316-2	DECAL, CAUTION	FRENCH
35	4000Y316-3	DECAL, CAUTION	SPANISH
35	4000Y316-4	DECAL, CAUTION	ENGLISH
35	4000Y316-6	DECAL, CAUTION	JAPANESE
35	4000Y316-7	DECAL, CAUTION	SWEDISH
35	4000Y316-8	DECAL, CAUTION	RUSSIAN
35	4000Y316-A	DECAL, CAUTION	DANISH
35	4000Y316-D	DECAL, CAUTION	DUTCH
46	FB030232	BEARING, RADIAL 17 mm EXTENDED RACE	
47	FB050211	BRG FLG .38 X .50 .25 LG	
48	GB000202	BELT .95 WIDE, SEE DRAWING FOR LENGTH	
49	GP000209	PULLEY ASSEMBLY	
52	HC700417	BHSCS .375-16 X 1.00	
53	HC700428	BHSCS .375-16 X 2.25	



54	<b>HC700430</b>	BHSCS .375-16 X 2.50
56	<b>HF540200</b>	GROMMET NYLON
58	<b>HN704901</b>	LOCKNUT, .375-16 NYLON
60	<b>HS347600</b>	WASHER, SAE .375
62	<b>HT102214</b>	PHIL, HEX, WASHER HD, TYPE 23, 10-24
63	<b>HT542514</b>	PN HD PHIL SC # 8 X .625 BLK
64	<b>HY740000</b>	Set Screw
65	<b>JC700412</b>	BHSCS .375-16 X .50
69	<b>PP090202</b>	INSERT, PLASTIC 1.50 x 3.00 x 11 GA
71	<b>4505-331</b>	BUMPER, 1.50 DIA
75	11120-206	SWIVEL PULLEY
76	11120-345	SHAFT, PIVOT
77	<b>FB130207</b>	BRG FLG 17mm X 19mm X 25mm
78	<b>HC700415</b>	BHSCS .375-16 X .75
80	11040-568	CLAMP BLOCK INSERT
88	<b>13000-402</b>	WATER BOTTLE HOLDER MOUNT
89	<b>13000-400</b>	WATER BOTTLE HOLDER
90	<b>HT552515</b>	PAN HD PHIL HD SELF TAPPING, 8-16 x .75, TYPE WB <b>BLACK</b>
91	<b>HT512517</b>	TAP SC 10-24 X 1.00 TYPE WB PN HD PHIL BLK
K1	<b>12000K017</b>	KIT, WATER BOTTLE HOLDER

# 11120 Calf Panel Assembly




<u>Bulb Number</u>	<u>Part Number</u>	<u>Description</u>	
2	11040-401	WT ROD .625 X 47.50	
4	11040-750	EXT INC WT CHANNEL	
5	11040-754	EXTRUDED GUARD	
6	11040-751	EXT INC WT CHANNEL	
7	11040-771	COVER, TOP	
8	11040-768	COVER, TOP	
9	11040-776	CHASSIS	
10	11040-777	TRAY, BOTTOM	
11	11040-775	COVER, PULLEY	
12	11040-760	PANEL, SHROUD BACK	
13	11040-762	PANEL, SHROUD FRONT	
19	3900-441	DECAL, CYBEX, BLACK	
20	4605-381-1	DECAL, WARNING	GERMAN
20	4605-381-2	DECAL, WARNING	FRENCH
20	4605-381-3	DECAL, WARNING	SPANISH
20	4605-381-4	DECAL, WARNING	ENGLISH
20	4605-381-6	DECAL, WARNING	JAPANESE
20	4605-381-7	DECAL, WARNING	SWEDISH
20	4605-381-8	DECAL, WARNING	RUSSIAN
20	4605-381-A	DECAL, WARNING	DANISH
20	4605-381-D	DECAL, WARNING	DUTCH
33	11120-610-1	PLACARD, EAGLE CALF	GERMAN
33	11120-610-2	PLACARD, EAGLE CALF	FRENCH
33	11120-610-3	PLACARD, EAGLE CALF	SPANISH
33	11120-610-4	PLACARD, EAGLE CALF	ENGLISH

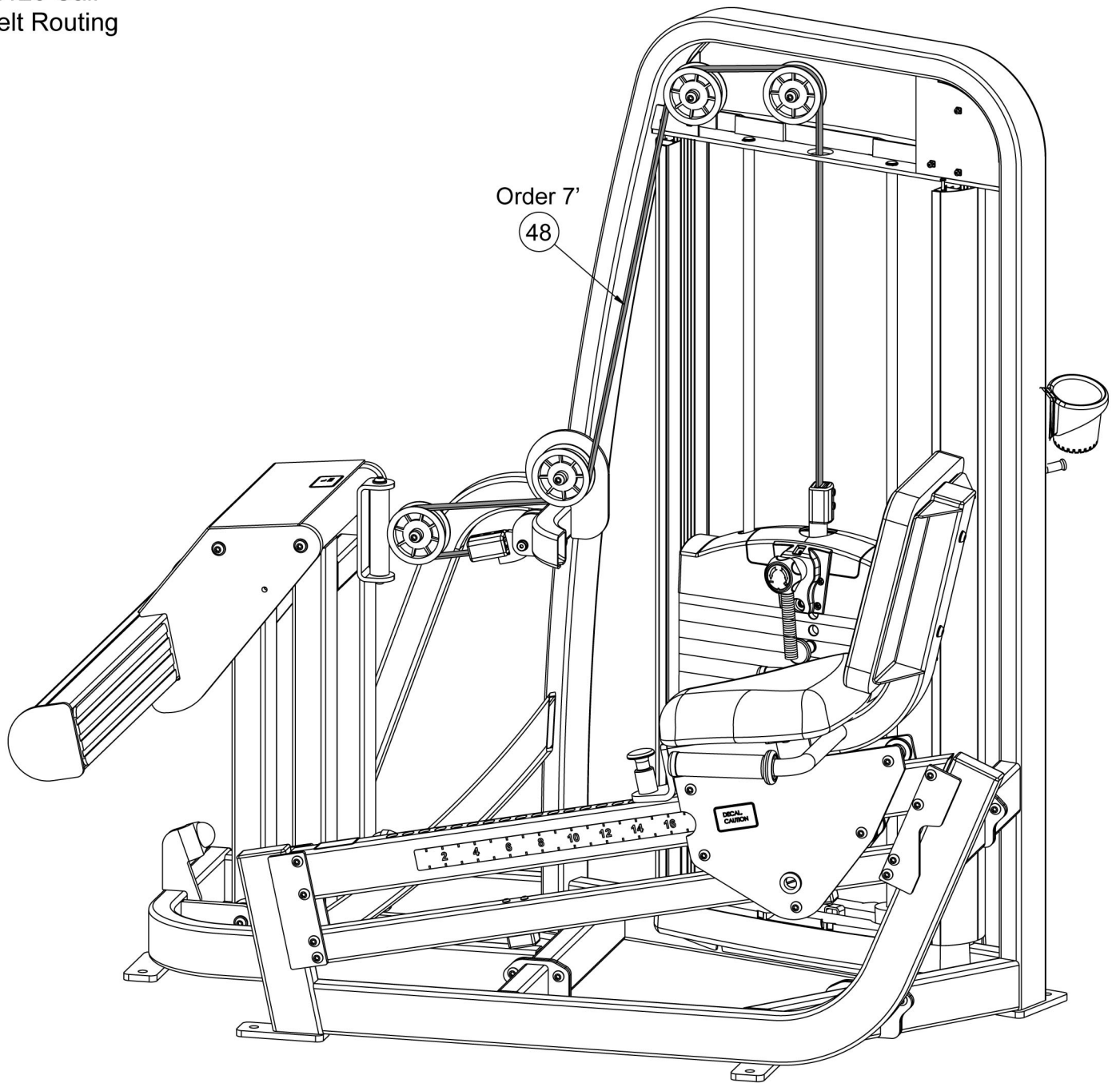
33	11120-610-6	PLACARD, EAGLE CALF	JAPANESE
33	11120-610-7	PLACARD, EAGLE CALF	SWEDISH
33	11120-610-8	PLACARD, EAGLE CALF	RUSSIAN
33	11120-610-A	PLACARD, EAGLE CALF	DANISH
33	11120-610-D	PLACARD, EAGLE CALF	DUTCH
43	<b>BR030214</b>	RETAINING RING, .625 DIA	
61	<b>HS407100</b>	WASHER, SPRING .650 ID x .790 OD x .062 THK	
63	<b>HT542514</b>	PN HD PHIL SC # 8 X .625 BLK	
72	<b>PR060005</b>	BUMPER, WEIGHT	
83	<b>11040-789</b>	EAGLE PLAQUE	
84	<b>HN575100</b>	LOCKNUT .190-No 10-24	
85	<b>HT572512</b>	TAP SC NO. 10 - 24 X? .50 PN HD PHIL	
92	11000-407-1	Decal, Increment Weight	GERMAN
92	11000-407-2	Decal, Increment Weight	FRENCH
92	11000-407-3	Decal, Increment Weight	SPANISH
92	<b>11000-407-4</b>	Decal, Increment Weight	ENGLISH
92	11000-407-6	Decal, Increment Weight	JAPANESE
92	11000-407-7	Decal, Increment Weight	SWEDISH
92	11000-407-8	Decal, Increment Weight	RUSSIAN
92	11000-407-A	Decal, Increment Weight	DANISH
92	11000-407-D	Decal, Increment Weight	DUTCH
93	11040-790	DECAL. MADE IN USA	



<u>Bulb Number</u>	<u>Part Number</u>	<u>Description</u>	
1	11000-384	BLOCK, STOP	
3	11040-440	KNOB	
16	11090-374	END CAP	
17	11090-376	RING, HANDLE GRIP	
18	11090-392	FOOT COVER	
21	11120-200	SEAT FRAME	
26	11120-205	SEAT	
27	11120-316	TUBE	
28	11120-318	TUBE, SPACER	
35	4000Y316-1	DECAL, CAUTION	GERMAN
35	4000Y316-2	DECAL, CAUTION	FRENCH
35	4000Y316-3	DECAL, CAUTION	SPANISH
35	4000Y316-4	DECAL, CAUTION	ENGLISH
35	4000Y316-6	DECAL, CAUTION	JAPANESE
35	4000Y316-7	DECAL, CAUTION	SWEDISH
35	4000Y316-8	DECAL, CAUTION	RUSSIAN
35	4000Y316-A	DECAL, CAUTION	DANISH
35	4000Y316-D	DECAL, CAUTION	DUTCH
36	4605-322	PIN, DETENT	
37	4620-318	ROLLER	
38	4620-319	SPACER	
39	4620-321	P/ ADJUSTING TUBE	
40	4620-331	DECAL, SEAT ADJUSTMENT	
41	4860-332	PLUG, ADJ BEARING	
44	BS070201	COM SPRING .56 x .66 1.50 LG	

50	HC620417	BHSCS .250-20 X 1.00
51	HC620430	BHSCS .250-20 X 2.50
52	HC700417	BHSCS .375-16 X 1.00
54	HC700430	BHSCS .375-16 X 2.50
55	HF449063	INSERT 3/4 X 1/4-20
58	HN704901	LOCKNUT, .375-16 NYLON
59	HN704902	LOCKNUT, .375-16 NYLON
66	JC700420	BHSCS .375-16 X 1.25
67	JC700434	BHSCS .375-16 X 3.00
69	PP090202	INSERT, PLASTIC 1.50 x 3.00 x 11 GA
70	PP090206	INSERT, PLASTIC 2.00 X 3.00 X 11 GA
74	4605-508	GRAB GRIP 5.50
79	JS347400	LOCKWASHER, INT TOOTH .375
82	PP080222	CAP VINYL END .50 X .50
86		SEAT PAD
87	4800-150	ABDOMINAL PAD
K2	11090K006	KIT, HANDLE END CAPS

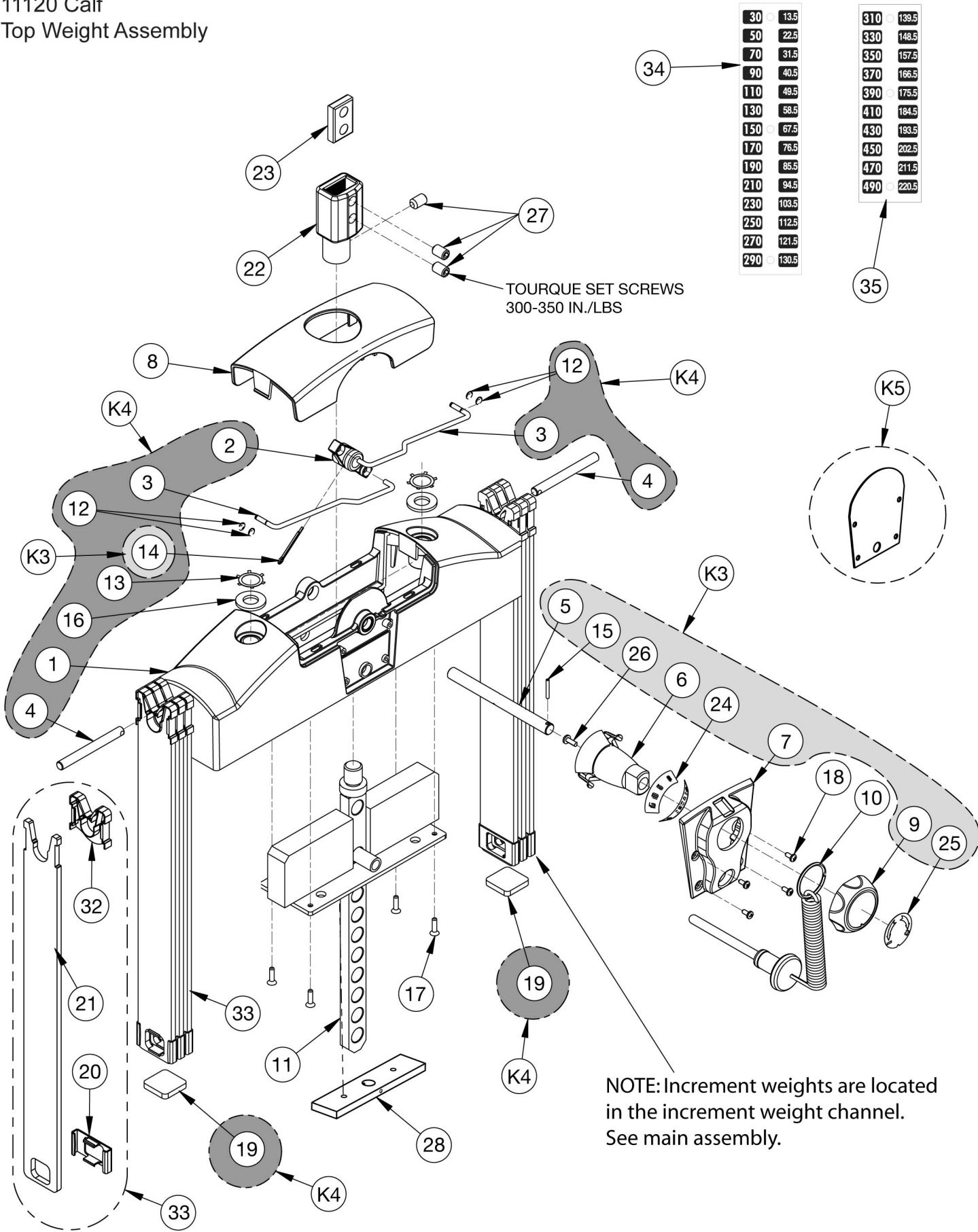
11120 Calf  
Belt Routing





<u>Bulb Number</u>	<u>Part Number</u>	<u>Description</u>
48	GB000202	BELT .95 WIDE, SEE DRAWING FOR LENGTH

# 11120 Calf Top Weight Assembly



30	13.5	310	139.5
50	22.5	330	148.5
70	31.5	350	157.5
90	40.5	370	166.5
110	49.5	390	175.5
130	58.5	410	184.5
150	67.5	430	193.5
170	76.5	450	202.5
190	85.5	470	211.5
210	94.5	490	220.5
230	103.5		
250	112.5		
270	121.5		
290	130.5		

NOTE: Increment weights are located in the increment weight channel. See main assembly.

<b><u>Bulb Number</u></b>	<b><u>Part Number</u></b>	<b><u>Description</u></b>
1	11040-366	Top Weight Assembly, Molded
2	11040-367	Hub, Molded
3	11040-369	Rod, Linkage
4	11040-370	Pin
5	11040-427	Rod
6	11040-426	Stem
7	11040-424	Cover Plate
8	11040-416	Cover, Top Weight
9	11040-425	Knob
10	BH030207	Pin, Weight Selector
11	4700-252	Lifting Post 20
12	BR030209	External Retaining Ring .188
13	BR030220	Internal Retaining Ring 1.250
14	HP016820	Cotter Pin .125 X 1.25
15	HP266765	Roll Pin, .125 X .938
16	HS720004	Felt Washer, .641 1.250 .125 T
17	HT562715	Tap SC NO 10 x .750 F Phil
18	HT582510	Tap SC NO 10 x .375 PN HD Phil
19	11040-409	Molded Bumper Pad
20	11040-572	Guard, Bottom Increment Weight
21	11040-577	Weight Increment
22	11040-216	Belt Clamp
23	11040-301	Clamp Block Insert
24	11040-428	Adjustment Decal
25	11040-429	Rotation Decal

26	HT552512	TAP SC NO. 8-16 X? .50 PLASTITE PAN HEAD PHILLIPS? BLACK
27	HY740000	Set Screw
28	4000C101	Weight Stack Plate
29	4701-011	Heavy Weight Pack (Not Shown)
30	4701-012	Weight Pack (Not Shown)
31	14000-401	Decal, Weight Plate
32	11040-578	Guard, Top Increment Weight
33	11040-030	Increment Weight Sub Assembly
34	12000-560	Decal, WT Plate (30-290)
35	12000-561	Decal, WT Plate (310-490)
K3	11040K009	Kit, Increment Weight
K4	11040K010	Kit, Top Weight Hardware
K5	11040K007	Kit, Non-Increment Top Weight