

# 70T 16In TR WLAN RFID PROIDIOM/QAM

C70T16T-XWRXP-01

## Parts Manual

12/18/2023 1:24:31 AM



**Table of Contents**

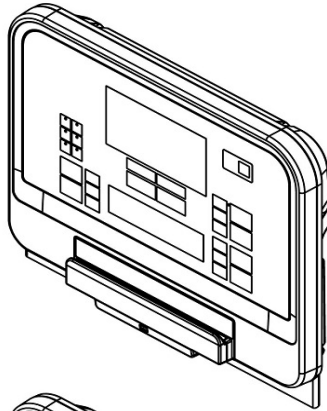
---

[Console Serial Number Table Treadmill.....](#)3  
[Option Panel Assembly.....](#)4

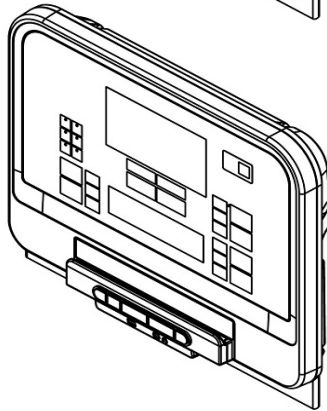
## Console Serial Number Table Treadmill

---

Standard Console

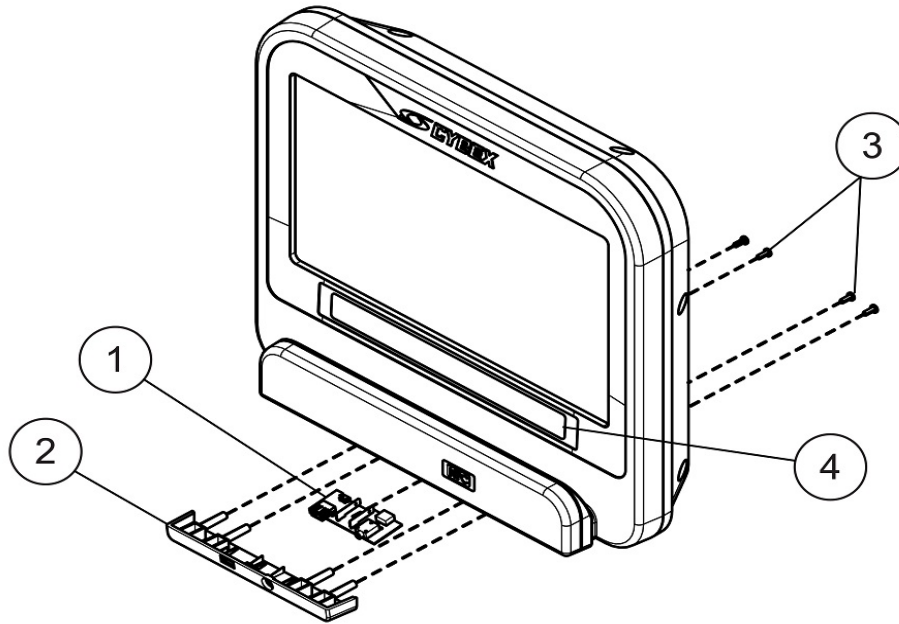


Entertainment Console



Ref #	Part Number	Qty	Description
-	C70T16T-XWRXP-01R	1	70T 16In TR WLAN RFID PROIDIOM/QAM

## Option Panel Assembly



Ref #	Part Number	Qty	Description
1	B084-92391-0004	1	Apollo II Headphone Jack/USB PCB-SRVC1
2	1005513-0001	1	PLASTIC: MULDER OPTION PANEL, CHGR PROMATE
3	0017-00101-1650	4	SCREW: 6-19 X 6, PHL, PAN, PLT, ST, ZB, VMI
4	1002200-0001	1	LABEL: WARNING, TREAD

