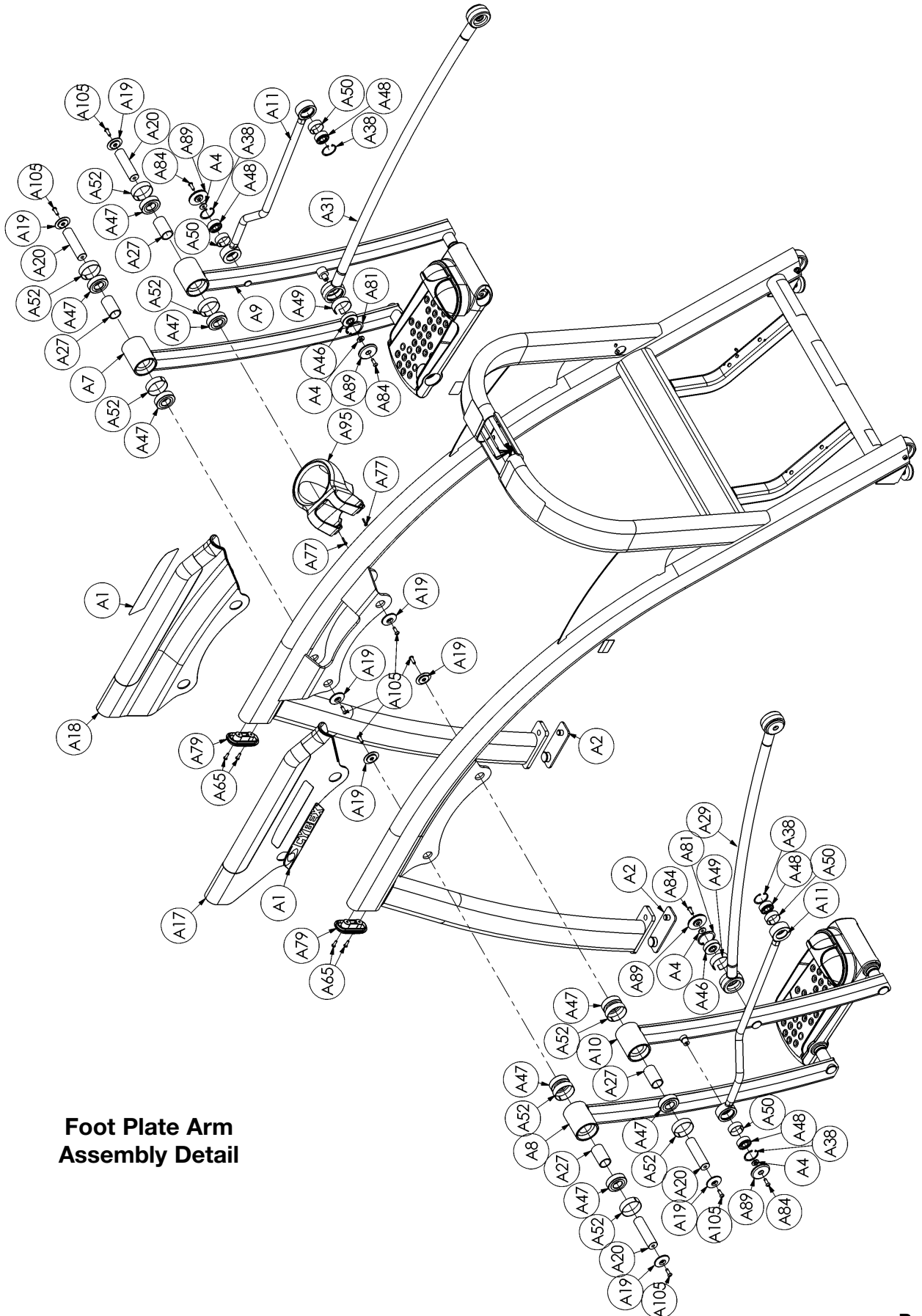


Cybex Arc Trainer 610A Service Manual

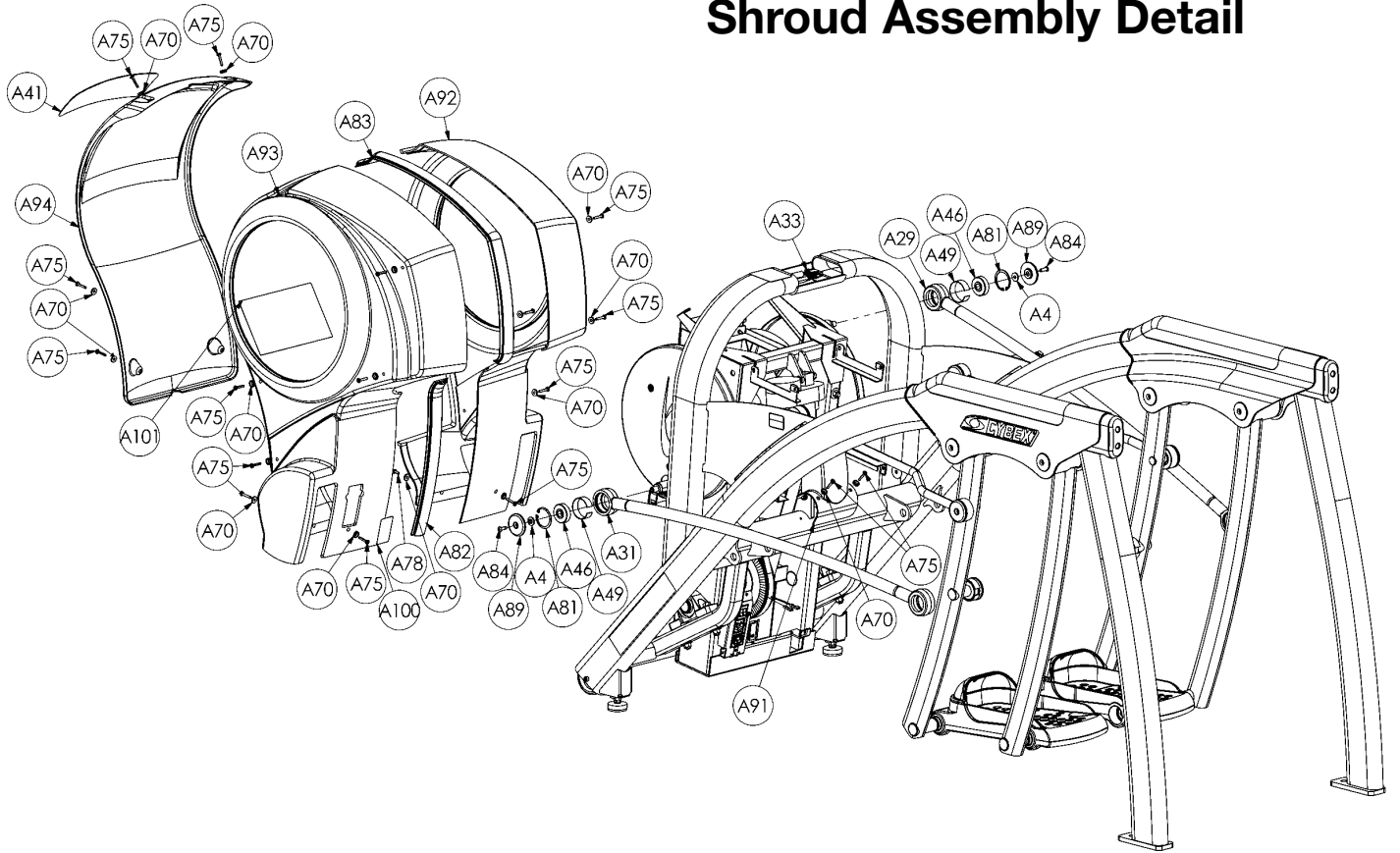
Main Assembly

ITEM	QTY	PART NO.	DESCRIPTION	ITEM	QTY	PART NO.	DESCRIPTION
A1	2	11090-404	Cybex Decal	A54	2	FO100009	O-Ring
A2	2	11090-405	Foot Pad	A55	1	FT-17242	Top Elevation Mounting Sleeve
A3	1	600A-301	Arc Warranty Sheet (not shown)	A56	1	FT-17243	Bottom Elevation Mounting Sleeve
A4	8	600A-311	Flange Spacer	A57	8	HB-17036	Ball Bearing
A5	1	610A-100	Contact Grip Assembly (pair)	A58	4	JC700412	BHSCS .375-16 x .50
A6	1	610A-200	Main Frame	A59	4	JC700422	BHSCS .375-16 x 1.50
A7	1	610A-201	Foot Plate Arm Left Rear	A60	3	HC701226	HHCS .375-16 x 2.0
A8	1	610A-202	Foot Plate Arm Right Rear	A61	1	HC701230	HHCS .375-16 x 2.50
A9	1	610A-203	Foot Plate Arm Left Front	A62	4	HC701232	HHCS .375-16 x 2.75
A10	1	610A-204	Foot Plate Arm Right Front	A63	2	HF449064	Insert
A11	2	610A-205	Handle Link	A64	2	HG700022	Leveling Guide
A12	1	610A-208	Arm Right Hand	A65	12	HM582514	Pan Head Phillips 10-32 x .62
A13	1	610A-209	Arm Left Hand	A66	2	HN-60064	Jam Nut
A14	1	610A-300	Foot Plate Right	A67	2	HN624901	Nylon Locknut
A15	1	610A-301	Foot Plate Left	A68	2	HN704000	Hex Nut
A16	2	610A-302	Toe Cap	A69	4	HN706300	K Lock Nut
A17	1	610A-303	Pivot Cover Right Hand	A70	18	HS100000	Nylon Finishing Washer
A18	1	610A-304	Pivot Cover Left Hand	A71	4	HS307602	Washer
A19	8	610A-311	Pivot Shaft Retainer	A72	2	HS328300	Split Lockwasher
A20	4	610A-342	Pivot Pin	A73	4	HS347600	Washer
A21	2	610A-344	Crank Pin	A74	10	HS347700	Washer
A22			Removed	A75	17	HT512517	Pan HD Phil HD Self Tapping Screw
A23	2	610A-350	End Cap	A76	8	HT552512	Pan HD Phil HD Self Tapping Screw
A24	2	610A-351	Pivot Pin	A77	2	HT552515	Pan HD Phil HD Self Tapping Screw
A25	1	610A-352	Installation Poster (not shown)	A78	1	HT572512	Pan HD Phil HD Self Tapping Screw
A26	2	610A-356	Spacer Tube	A79	2	HX-16751	Frame Tube Cap
A27	4	610A-357	Spacer Tube	A80	2	HX-17023	Spring Pin
A28	2	610A-358	Plastic Insert	A81	4	HX-17143	Retaining Ring
A29	1	AF-16655	Linkage Rod Right	A82	1	HX-17270	H-Shaped Rubber Gasket
A30	2	AF-16694	Pillow Block Bearing	A83	1	HX-17271	H-Shaped Rubber Gasket
A31	1	AF-16999	Linkage Rod Left	A84	12	HX620415	BHSCS .250-20 x .75
A32	2	AF-17020	Crank Cover Mounting Bracket	A85	2	HX620420	BHSCS .250-20 x 1.250
A33	1	AW-18285	610A Frame Harness	A86	2	JD623324	Shoulder Bolt
A34	2	AW-18286	610A Grip Cable (not shown)	A87	4	JS347400	Internal Tooth Lockwasher
A35	1	AX-17156	Drive Frame Assembly	A88	1	MR-16518	Elevation Motor
A36	2	BK030204	Hex Key (not shown)	A89	8	PL-16535	Linkage Rod Cap
A37	1	BK030205	Hex Key (not shown)	A90	2	PL-17027	Crank Cover
A38	4	BR030225	Retaining Ring	A91	1	PL-17029	Elevation Motor Access Cover
A39	1	CM000240	Warning Decal	A92	1	PL-17046	Right Cover
A40	2	CW-17231	Tensioner Wheel	A93	1	PL-17047	Left Cover
A41	1	DE-17317	Arc Trainer Logo Decal	A94	1	PL-17048	Front Access Cover
A42	2	DE-17339	Cybex Vortex Decal	A95	1	PL-17209	Water Bottle Holder
A43	2	EW000028	Cable Tie (not shown)	A96	4	PL-17279	Foot Plate Spacer Shaft
A44	1	EW600006	Daisy Chain Jumper Cord (not shown)	A97	1	DE-17315	ETL Label
A45	4	FB030232	Bearing	A98	2	PR400205	Grip
A46	4	FB030244	Bearing	A99	2	YD000026	Double Coated Tape
A47	8	FB030247	Bearing	A100	1	DE-17266	UL Decal
A48	4	FB030248	Bearing	A101	1	DE-17322	Service Schedule and Error Decal
A49	4	FC030004	Tolerance Ring	A102	2	DE-17219	Caution Decal
A50	4	FC030005	Tolerance Ring	A103	1	DE-17218	Heart Rate Zone Decal
A51	4	FC030006	Tolerance Ring	A104	1	610A-349	Warning Decal
A52	8	FC030007	Tolerance Ring	A105	8	HX700415	BHSCS .375-16 x .75 SS
A53	2	FM-17037	Crank Arm				

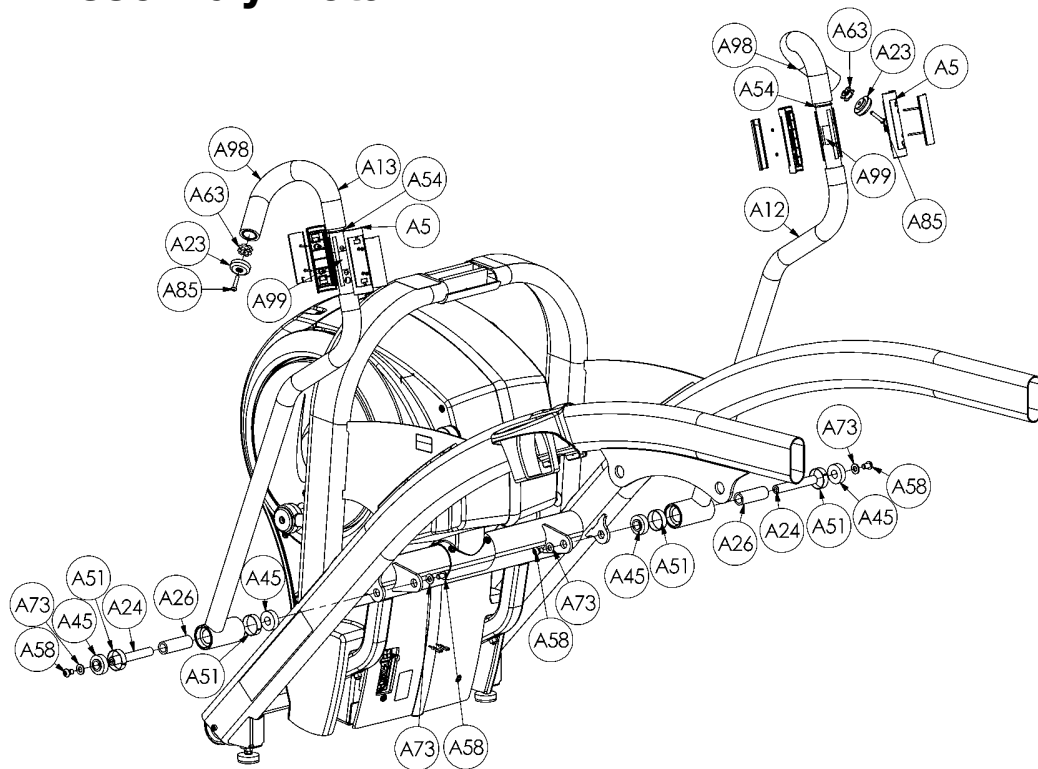


**Foot Plate Arm
Assembly Detail**

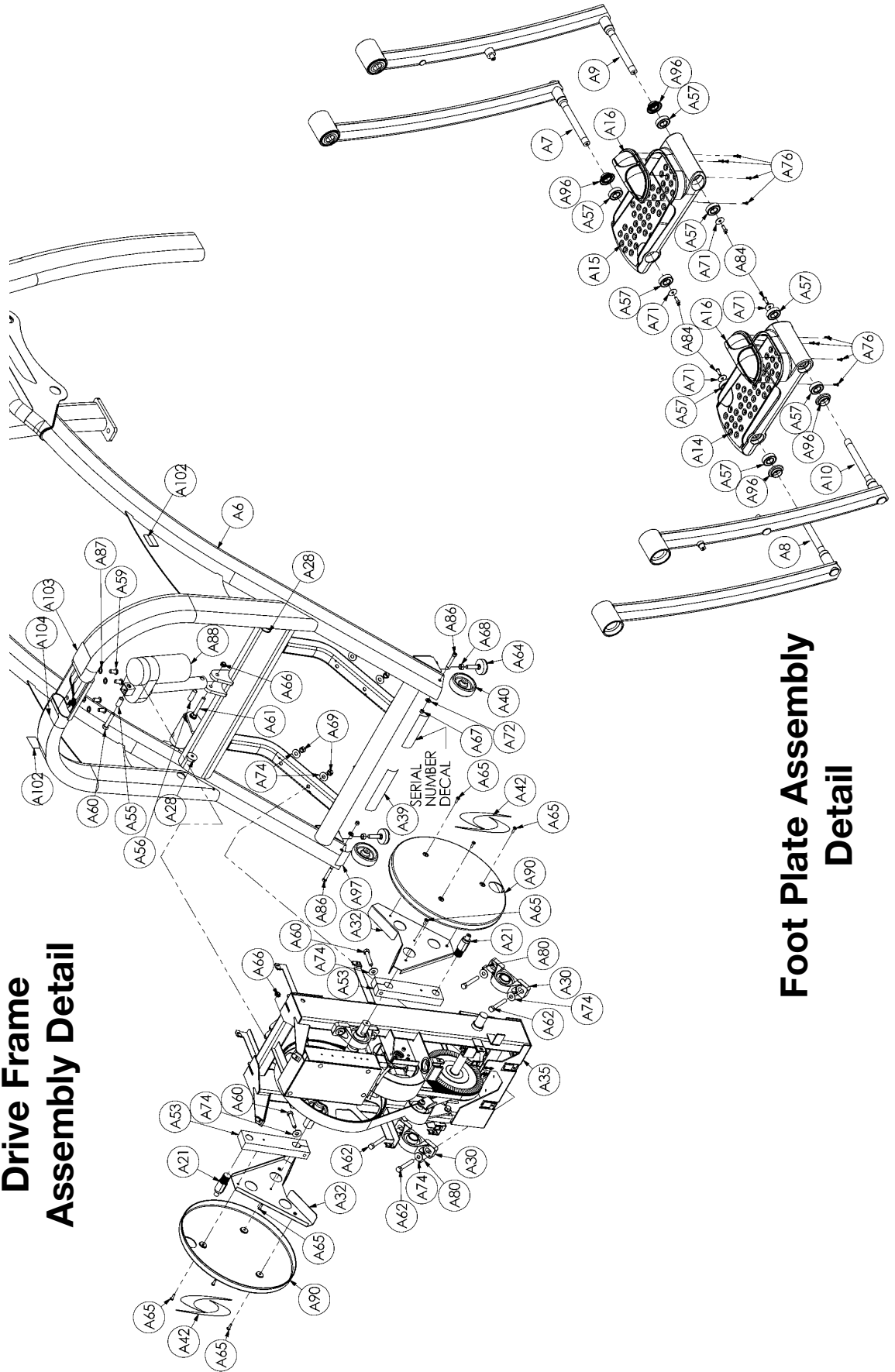
Shroud Assembly Detail



Arm Assembly Detail



Drive Frame Assembly Detail



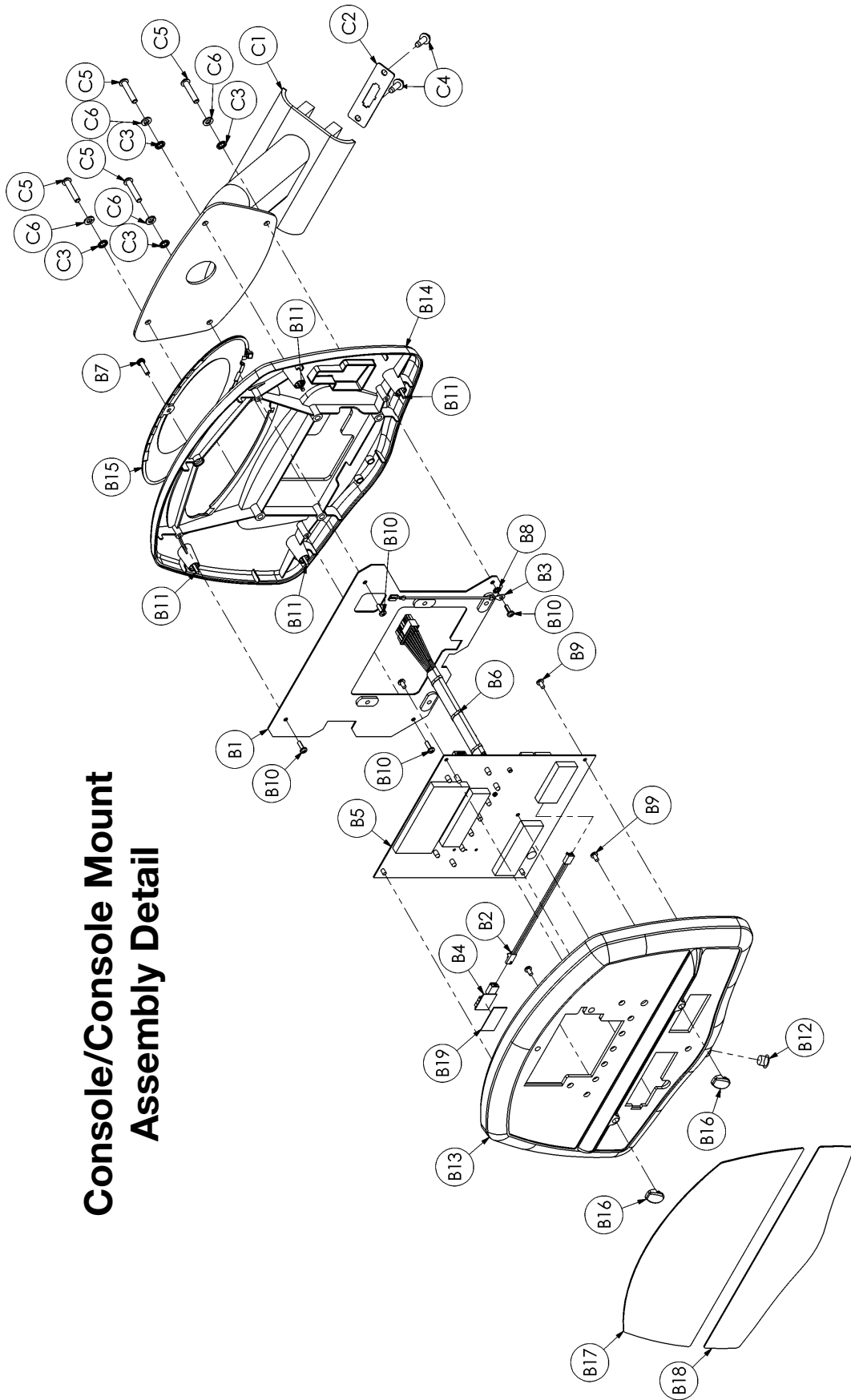
Foot Plate Assembly Detail

Cyber Arc Trainer 610A Service Manual

Console/Console Mount Assembly

ITEM	QTY	PART NO.	DESCRIPTION
B1	1	610A-102	Console Mounting Plate
B2	1	610A-103	Embedded Polar Jumper Cable
B3	1	610A-104	Ground Cable
B4	1	610A-105	Polar Wireless Remote Mount Sensor
B5	1	AD-18282	610A Main Display PCA
B6	1	AW-18284	610A Console Harness
B7	1	HJ582515	Phil Pan Screw 10-32 x .75
B8	1	HS087300	External Tooth Lockwasher
B9	7	HT552509	Tap Screw 8-16 x .31
B10	4	HT552512	Pan HD Phil HD Self Tapping
B11	4	HT552515	Pan HD Phil HD Self Tapping
B12	1	PP080207	Plastic Insert
B13	1	PP620003	Front Plastic Console
B14	1	PP620004	Rear Plastic Console
B15	1	PP620005	Console Access Cover
B16	2	PP620006	Book Holder Tab
B17	1	SW-18275-4	610A Top Universal Membrane
B18	1	SW-18276-4	610A Bottom W/O AV, U Membrane
B19	1	01250	Double Coated Tape
C1	1	610A-206	Console Mount
C2	1	610A-348	Mounting Plate
C3	4	HS307400	Internal Tooth Lockwasher
C4	2	HT621115	Tap Screw .250-20
C5	4	HX620420	BHSCS .250-20 x 1.25
C6	4	HS307601	Washer

**Console/Console Mount
Assembly Detail**

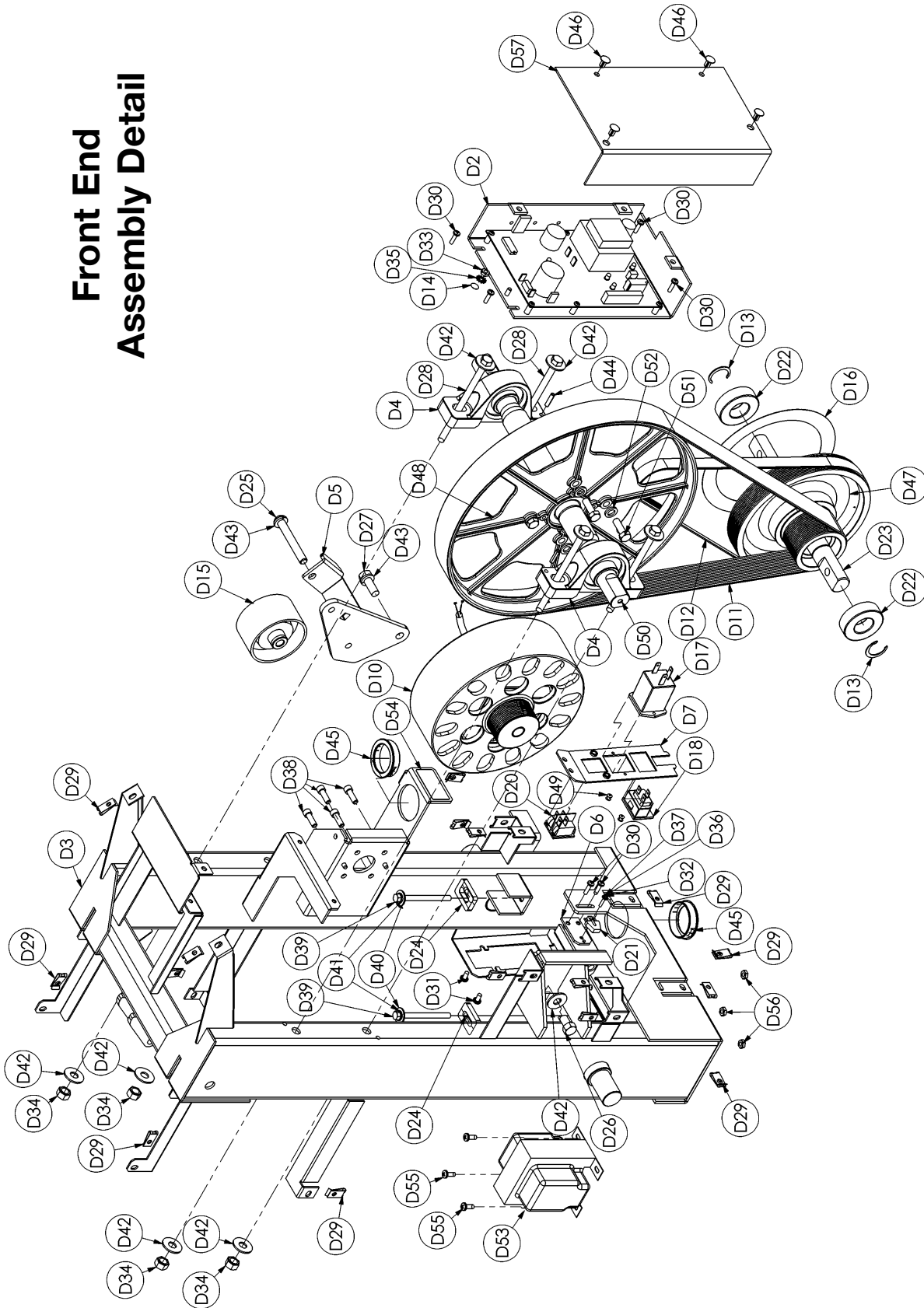


Cybox Arc Trainer 610A Service Manual

Front End Assembly

ITEM	QTY	PART NO.	DESCRIPTION
D1	1	AX-17156	Front End Assembly
D2	1	AD-16982	PCA Control Board Eddy Current
D3	1	AF-16483	Frame Front
D4	2	AF-16694	Pillow Block Bearing Assembly
D5	1	AF-17060	Tensioner Wheel Bracket
D6	1	AF-17141	Speed Sensor Bracket
D7	1	AF-17216	Power Switch Plate
D8	1	AW-17098	Power Inlet Jumper Brown (not shown)
D9	1	AW-17099	Power Inlet Jumper Blue (not shown)
D10	1	AX-17208	ECB
D11	1	BD-16671	Belt
D12	1	600A-322	Secondary Drive Belt
D13	2	BR030221	Retaining Ring
D14	1	CM000237	Safety Ground Decal
D15	1	CW-17063	Tensioner Wheel
D16	1	DE-17019	Speed Sensor Wheel
D17	1	EC-17096	Filtered IEC-320 Power In Module
D18	1	EC-17097	IEC Auxiliary AC Outlet Module
D19	2	EF000000	Fuse (not shown)
D20	1	ES000000	On-Off Switch
D21	1	EW600003	Cable Opto Sensor Armored
D22	2	FB030243	Bearing
D23	1	FM-16859	Lower Shaft
D24	2	FM-17146	Belt Spacer
D25	1	HC700432	BHSCS .375-16 x 2.75
D26	1	HC701214	HHCS .375-16 x .62
D27	1	HC701217	HHCS .375-16 x 1.00
D28	4	HC701252	HHCS .375-16 x 5.25
D29	16	HF579000	U Type Panel Nut
D30	6	HJ542514	Pan Head Phillips 8-32 x .62
D31	2	HJ582510	Pan Head Phillips 10-32 x .38
D32	1	HM522514	Pan Head Phillips 4-40 x .62
D33	1	HN586300	K-Lock Nut
D34	4	HN706300	K-Lock Nut
D35	1	HS047300	Lockwasher
D36	1	HS047600	Washer
D37	1	HS048300	Split Lockwasher
D38	4	HS-17055	SHCS .250-20 x .75
D39	2	HS-17145	Hex Head Tap Screw .350-20 x 2.50
D40	2	HS307600	Washer
D41	2	HS308300	Split Lockwasher
D42	9	HS347700	Washer
D43	2	HS348300	Split Lockwasher
D44	2	HX-17023	Spring Pin
D45	2	HX-17050	Bushing
D46	4	PP660010	Finned Fastener
D47	1	PW-16521	Drive Pulley
D48	1	PW-17016	Pulley
D49	2	HR269600	Dome Head Rivet
D50	1	600A-100	Shaft
D51	4	HC661217	HHCS .312-18 x 1.00
D52	4	HS760100	Spring Retaining Washer
D53	1	AX-17259	Power Pack 230 V
D54	1	DE-17155-4	Warning Decal
D55	3	HJ582512	SEMS 10-32 x .5
D56	3	HN586300	K-Lock Nut
D57	1	600A-318	Cover Controller

Front End Assembly Detail



This page intentionally left blank

