

Parts List

NOTE: Parts lists and exploded views are on the pages that follow.

Table of Contents iii

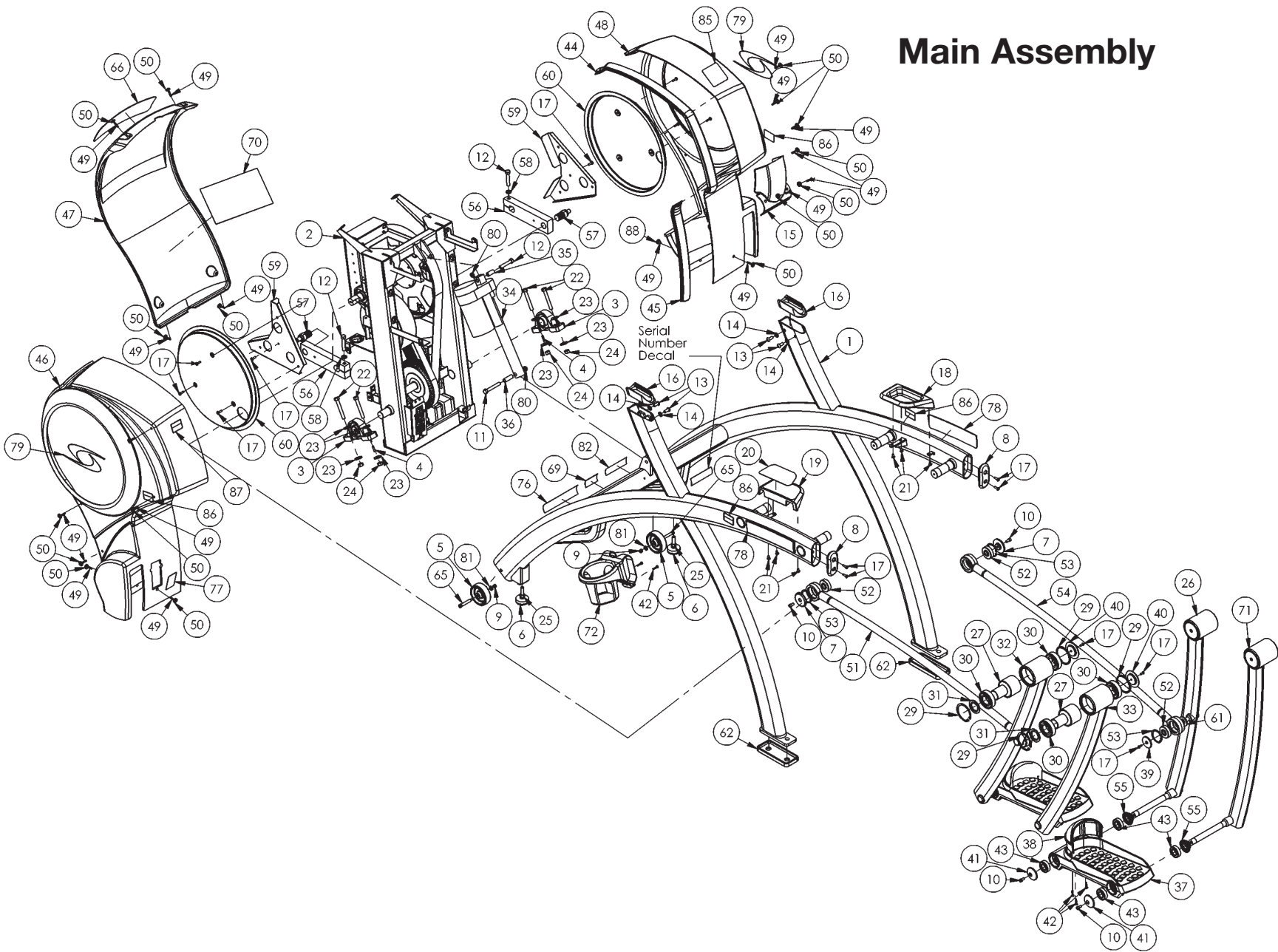
7 Service

Warnings/Cautions 7-1
Test Mode 7-2
LED Functions 7-3
Key Functions 7-3
Error Codes 7-4
Speed Sensor Adjustment 7-5
Drive Belts 7-7
Eddy Current Brake 7-13
Elevation Motor 7-16
Power Switch 7-20
Upper Pillow Blocks 7-22
Lower Pillow Blocks 7-26
Pedal Arm & Linkage Arm 7-28
Lower Control Board 7-29
Upper Display Board 7-31
Contact Heart Rate Board 7-33
CSAFE Board 7-35
Upper Display Cable 7-36
Lower Display Cable 7-38
Display Overlays 7-41
Parts List 7-43
Exploded Views 7-45
Schematic 7-51

Main Assembly

ITEM	QTY	PART NO.	DESCRIPTION	ITEM	QTY	PART NO.	DESCRIPTION
1	1	AF-16471	Frame	46	1	PL-17047	Left Cover
2	1	AX-17156	Front End Assembly	47	1	PL-17048	Front Access Cover
3	2	AF-16694	Pillow Block	48	1	PL-17046	Right Cover
4	2	HX-17023	Spring Pin .188 x .75	49	17	HT512517	Tap Screw 10-24 x 1.00 Type WB PN HD
5	2	CW-17231	Plastic Wheel 3.0 Dia.	50	18	HS100000	Nylon Washer
6	2	HG700022	Leveling Glide	51	1	AF-16999	Left Linkage Rod
7	2	PL-16535	Linkage Rod Cap 2.00 OD	52	4	FB030244	Bearing
8	2	HX-16751	Tube End Cap	53	4	HX-17143	Retaining Ring
9	2	HN624901	Nylock Nut	54	1	AF-16655	Right Linkage Rod
10	6	HS-17147	SHCS 1/4-20 x .50	55	4	PL-17279	Foot Plate Shaft Spacer
11	1	HC701230	HHCS .375-16 x 2.50	56	2	FM-17037	Crank Arm
12	3	HC701226	HHCS .375-16 x 2.00	57	2	FM-17039	Crank Pin
13	4	HC660417	BHSCS .312-18 x 1.00	58	2	HS348300	Split Lockwasher .375
14	4	HS327300	Lockwasher External Tooth	59	2	AF-17020	Crank Cover Mounting Bracket
15	1	PL-17029	Elevation Motor Cover	60	2	PL-17027	Crank Cover
16	2	HX-17053	Handrail Trim Gasket	61	2	PL-17281	Connecting Rod Shaft Spacer
17	18	HS-17084	Screw 10-32 x .50 C-Sunk Oval	62	2	11090-392	Foot Cover
18	1	PL-17205	Right Accessory Tray	63	1	AW-17008	Lower Display Cable (not shown)
19	1	PL-17206	Left Warning Label Tray	64	1	AW-14007	Power Cord (not shown)
20	1	DE-17213-4	Warning Decal	65	2	JD623324	Shoulder Bolt 5-16 Dia. x 1-4 Th'd
21	6	HJ582510	SEMS 10-32 x .38	66	1	DE-17317	Decal Logo Arc Trainer
22	4	HC701232	HHCS .375-16 x 2.75	67	1	600AK003	Arc Trainer Filter Power Input Module/ Switch Plate Kit (not shown)
23	8	HS347700	Washer .375	68	1		Serial Number
24	4	HN706300	Nut K Lock .375-16	69	1	DE-17315	Decal ETL, CSA
25	2	HN704000	Hex Nut .375-16	70	1	DE-17322-4	Schedule and Error Code Label
26	1	AF-16647	Front Right Foot Plate Arm	71	1	AF-16677	Right Rear Foot Plate Arm
27	4	FM-16646	Outer Pivot Arm Bearing Spacer	72	1	PL-17209	Water Bottle Holder
28	4	FM-16645	Inner Pivot Arm Bearing Spacer	73	1	LT-17070-4	Arc Trainer Owner's and Service Manual (not shown)
29	8	BR030219	Retaining Ring Roller	74	1	600A-301	Arc Trainer Warranty Sheet (not shown)
30	8	HB-17280	Bearing	75	1	LT-17071	Arc Trainer Poster (not shown)
31	4	PL-17282	Arm Pivot Shaft Spacer	76	1	CM000240	Decal Disconnect Power
32	1	AF-16644	Left Front Foot Plate Arm	77	1	DE-17266	Decal UL Domestic
33	1	AF-16651	Left Rear Foot Plate Arm	78	2	DE-17318	Decal Logo Arc Trainer with Cybex
34	1	MR-16518	115VAC Motor Elevation	79	2	DE-17339	Decal Cybex Vortex
35	1	FT-17242	Top Elevation Mounting Sleeve	80	2	HN-60064	Jam Nut
36	1	FT-17243	Bottom Elevation Mounting Sleeve	81	2	HS328300	Split Lockwasher .312
37	2	PL-16878	Foot Plate	82	1	CM000241	Decal UL
38	2	PL-17030	Toe Cap	83	2	EW000028	Cable Tie (not shown)
39	2	PL-17188	Linkage Rod Cap 1.63 OD	84	1	SC-600A	Schematic (not shown)
40	4	PL-16450	Top Foot Plate Arm Cap	85	1	DE-17218-4	Label Heart Rate Zone
41	4	PL-17056	Foot Plate Shaft Cap	86	4	DE-17219-4	Caution Decal
42	8	HT552515	Tap Screw No. 8-16 x .75 Type WB PN	87	1	DE-17220-4	Warning Decal
43	8	HB-17036	Ball Bearing 6203A .75 Dia.	88	1	HT572512	Tap Screw 10-24 x .50 Type WB PN HD
44	1	HX-17270	H-Shaped Rubber Gasket 14.50 L				
45	1	HX-17271	H-Shaped Rubber Gasket 29.50 L				

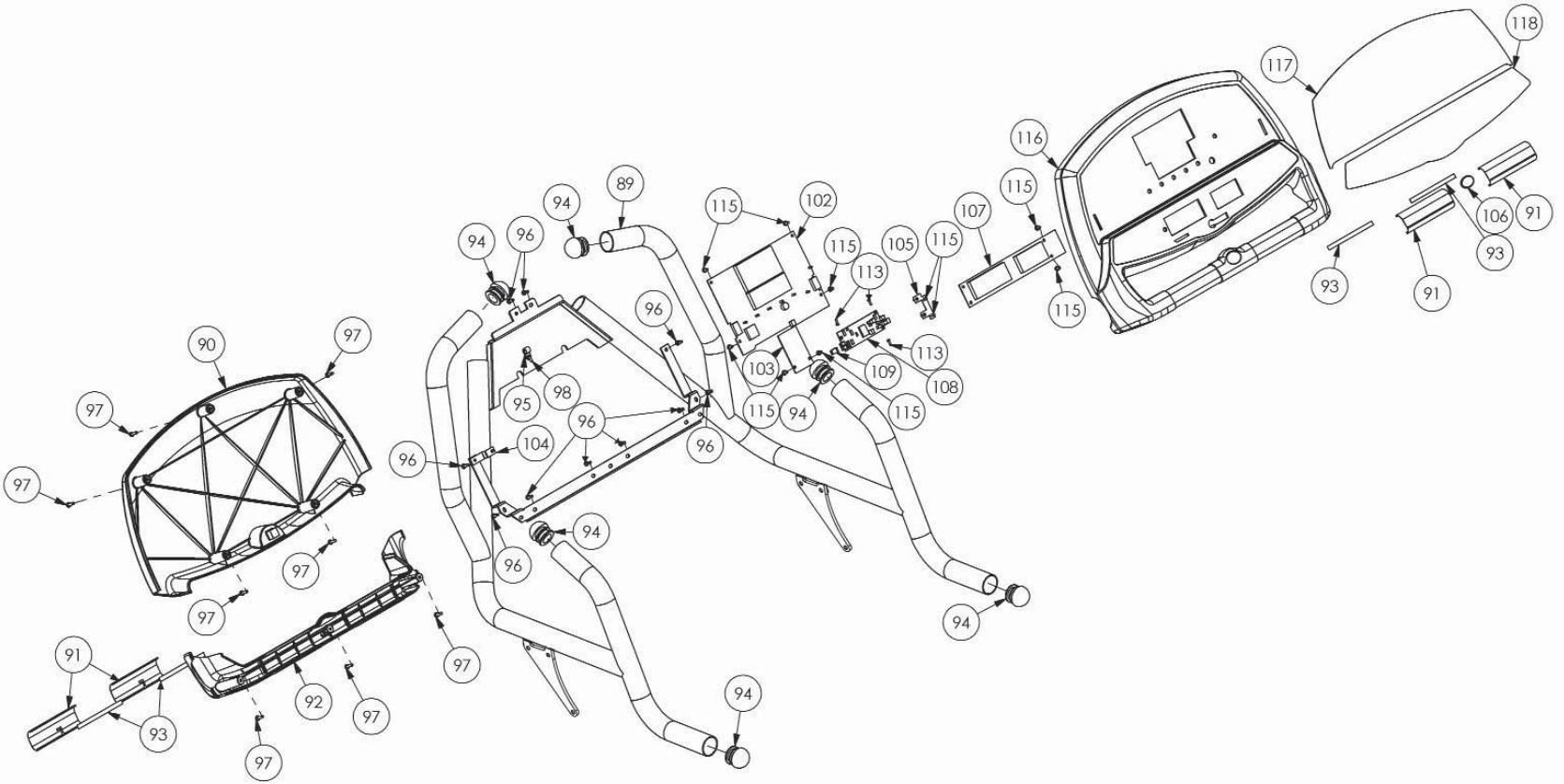
Main Assembly



Handrail Assembly

ITEM	QTY	PART NO.	DESCRIPTION
89	1	AF-16663	Handrail
90	1	PP620001	Back Plastic Console
91	4	BB030024	Grip
92	1	PP620002	Rear Console
93	1	YD000025	Tape
94	6	HX-17017	Tube End Plug 1.50 Tube OD
95	1	PN140000	Cable Clamp 5-16 Dia.
96	10	HT552512	Screw, 8-16 x .50 Type WB PNHD PHI
97	8	HJ542514	SEMS, 8-32 UNC x .62 PNHD Phil PI
98	1	HJ542510	SEMS, 8-32 x .38 PNHD Phil Ext
99	1	AW-17007	Cable Display Upper Arc Trainer (not shown)
100	2	CM000238	Anti Static Printed Label (not shown)
101	1	AX-17154-4	600A Front Console Assembly
102	1	AD-17095	Arc Display Board PCA
103	1	AD-17106	CSAFE Port Board With TVS PCA
104	1	BB030021	Salutron Bracket Ground
105	1	BB030022	Salutron Bracket
106	1	CM000239	Handset Logo Decal
107	1	EE000001	Handset Display With WHR PCA
108	1	EE000002	Heart Rate Monitor Assembly PCB
109	1	EL000000	Molex Connector 22-01-3037
110	1	EW600001	3 Pin Cable HR Jumper W-FER (not shown)
111	1	EW600002	CHE Cable Grip Assembly (not shown)
112	1	EW600004	CSAFE Jumper Ground (not shown)
113	3	HM522510	PN HD Phil SC No 4-40 x .38
114	1	HS047300	Ext Tooth Lockwasher No 10 (not shown)
115	10	HT552509	Tap SC No 8-16 x .31 Plastite Pn
116	1	PP620000	Top Console
117	1	SW-17005-4	600A Switch Membrane Top
118	1	SW-17006-4	600A Switch Membrane Bottom

Handrail Assembly



Front End Assembly

ITEM	QTY	PART NO.	DESCRIPTION	ITEM	QTY	PART NO.	DESCRIPTION
2	1	AX-17156	Front End Assembly	2BB	1	HC700432	Screw 3-8-16 x 2.75 Button
2A	1	AF-16483	Front End	2CC	9	HS347700	Washer USS .375
2B	1	AD-16982	PCA Control Board 115V	2DD	1	CW-17063	Tensioner Wheel
2C	1	AX-17208	ECB Assembly	2EE	4	HN706300	Nut Keps 3-8-16 Hex Stl
2D	1	600A-322	Secondary Drive Belt	2FF	8	HS-17055	SHCS .25-20 x .75
2E			Removed 11/02	2GG	4	HC701252	3-8-16 x 5.25
2F	1	BD-16671	Primary Drive Belt	2HH	1	PW-17016	Poly-V Drive Die Cast Pulley
2G	16	HF579000	Panel Fastener 10-24 U Type	2II	2	AF-16694	Pillow Block Assembly
2H			Removed 11/02	2JJ	1	HC701214	HHCS .375 x .625
2I	1	EC-17097	Power Outlet IEC320 Module	2KK	6	HJ542514	Screw 8-32 x .62 sems
2J	1	ES000000	Switch On-Off	2LL	1	HM522514	Screw #4-40 x .62 Phil Ph
2K	1	DE-17155-4	Warning Decal	2MM	1	EW600003	Cable Speed Sensor
2L	2	HX-17050	Nylon Insulating Bushing	2NN	1	HS048300	Split Lockwasher
2M	2	HJ582510	SEMS 10-32 x 3/8 pan hd, ext	2OO	1	AF-17141	Speed Sensor Bracket
2N	1	PL-17237-4	Controller Cover	2PP	1	HS047600	Washer
2O	4	PP660010	Single Head Christmas Tree Clip	2QQ	1	AW-17099	Power Inlet Blue Jumper (not shown)
2P	1	PW-16521	Lower Machined Pulley	2RR	1	AW-17098	Power Inlet Brown Jumper (not shown)
2Q	1	FM-16859	Lower Pivot Shaft	2SS	1	CM000237	Ground Symbol Label
2R	2	HS307600	Washer	2TT	2	HX-17023	Spring Pin
2S	2	HS308300	Split Lock Washer	2UU	3	HJ582512	Tap Sc No. 10-24 x .50 Pn Hd Phil (220V option only)
2T	2	HS-17145	Hex 1-4-20 x 3.00 Tap 8G	2VV	1	AF-16461	Crank Shaft
2U	2	FM-17146	10 Rib Belt Spacer	2WW	1	HS047300	Lockwasher Ext No. 10
2V	2	BR030221	Retaining Ring	2XX	4	HN586300	Keps 10-32 stl
2W	1	DE-17019	Speed Sensor Disc	2YY	2	EF000000	Fuse 6Aski-Blo 5 x 20Mm 250V
2X	2	FB030243	Bearing 25M mid x 52M mod 6205	2ZZ	1	AX-17259	Transformer 200KVA (220V option only)
2Y	1	AF-17060	Rocker Arm	2AAA	1	600AK003	Arc Trainer Filter Power Input Module/Power Switch Plate Kit
2Z	2	HS348300	Split Lockwasher .375				
2AA	1	HC701217	HHCS .375 x 1.00				

Front End Assembly

