

# Arc Trainer® Fuse Replacement Kit

Kit No. 600AK016

Installation Instructions

## TOOLS REQUIRED

- Phillips screwdriver
- Needle nosed pliers

1. Read and understand all instructions thoroughly before installing this kit.

2. Verify kit contents.

A. Verify you received two fuses, part number EF-12417.

3. Disconnect the external power source.

A. Turn the main power switch above the power inlet to the off (0) position.

B. Unplug the power cord from the power outlet.

! **WARNING:** Disconnect the power cord before continuing this procedure. Keep wet items away from inside parts of the unit. Electrical shock could occur even if the unit is unplugged.

4. Remove the access cover.

A. Using a Phillips screwdriver, remove the four screws and four washers securing the access cover. See Figure 1.

B. Remove the access cover.



Figure 1

! **WARNING:** Flywheel may be hot. Wait until it cools before **servicing**.

! **WARNING:** Do not touch components on the lower board. A charge can remain after unplugging the power cord and turning off the unit.

5. Replace the fuses.

A. Locate the lower board.

B. Pull out on the lower board shield (it will snap out). See Figure 2.

C. Locate the fuses in the upper left hand corner of the control board. See Figure 2.

D. Replace the old fuse with the new fuses.

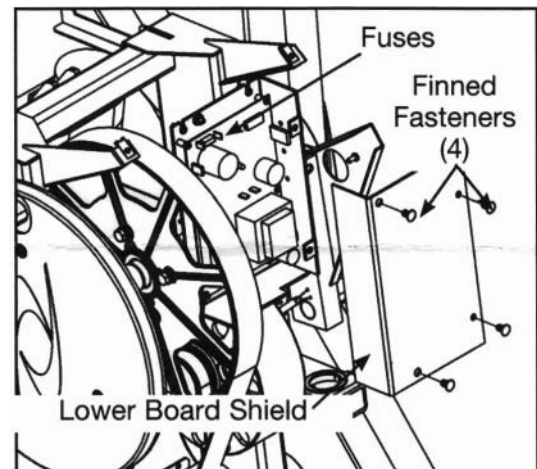


Figure 2

E. Place the lower shield (removed in step 5B) into position and secure the finned fasteners (the shield with snap in).

F. Attach the access cover removed in steps 4A and 4B. **NOTE:** Be careful *not* to pinch any cables.



Cybox® and the Cybox logo are registered trademarks of Cybox International, Inc.  
Arc Trainer® and its mark are registered trademarks of Cybox International, Inc.

10 Trotter Drive Medway, MA 02053 • 508-533-4300 • FAX 508-533-5183 • www.ecyboxinternational.com • techhelp@cyboxintl.com  
techpubs@cyboxintl.com • Copyright © 2008 CYBEX International, Inc. All rights reserved • 600A-323 A • March 2008